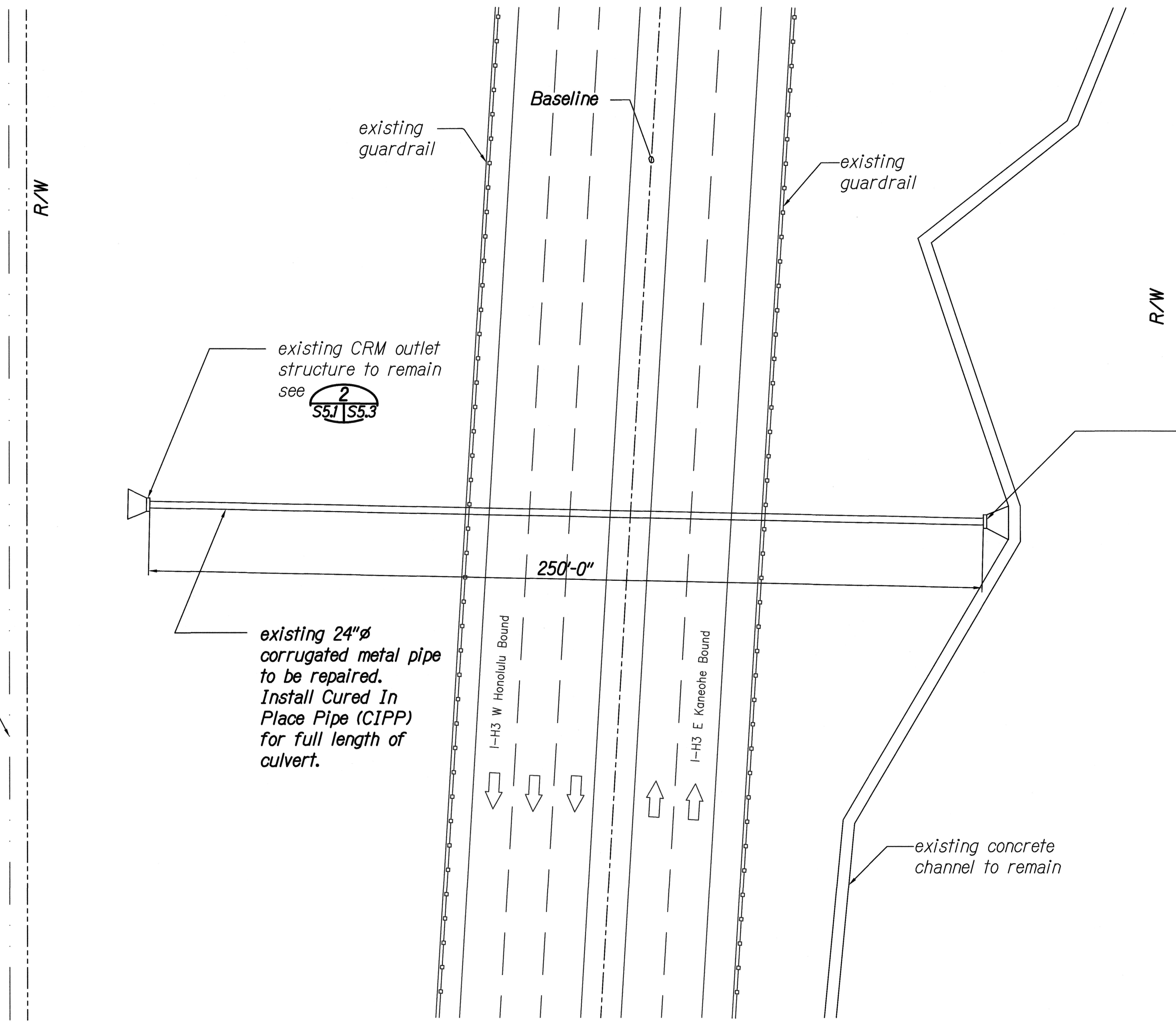
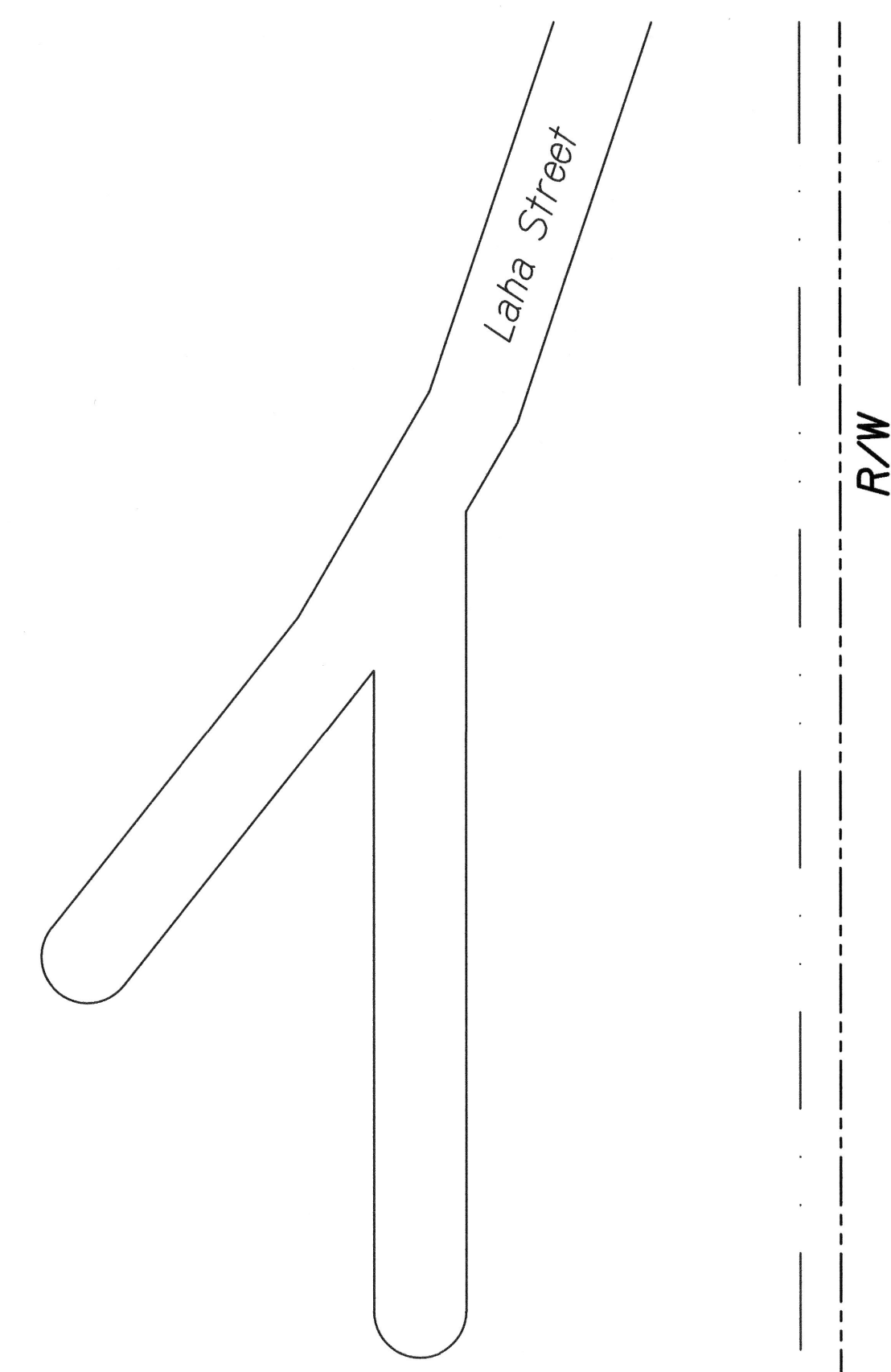


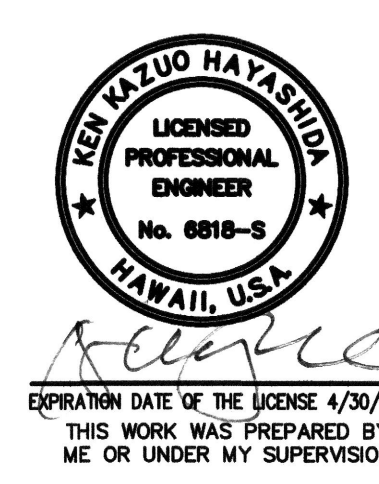
FED. ROAD DIST. NO.	STATE	PROJ. NO.	FISCAL YEAR	SHEET NO.	TOTAL SHEETS
HAWAII	HAW.	HWY-0-03-18	2018	40	93

TRUE NORTH
SCALE: 1" = 20'-0"



EXISTING CULVERT PLAN, MILEPOST 14.00 (H3)
Scale: 1" = 20'-0"

1
S5.1 | S5.1



STATE OF HAWAII
DEPARTMENT OF TRANSPORTATION
HIGHWAYS DIVISION

Culvert Plan View, Milepost 14.00 (H3) PID No. 701472

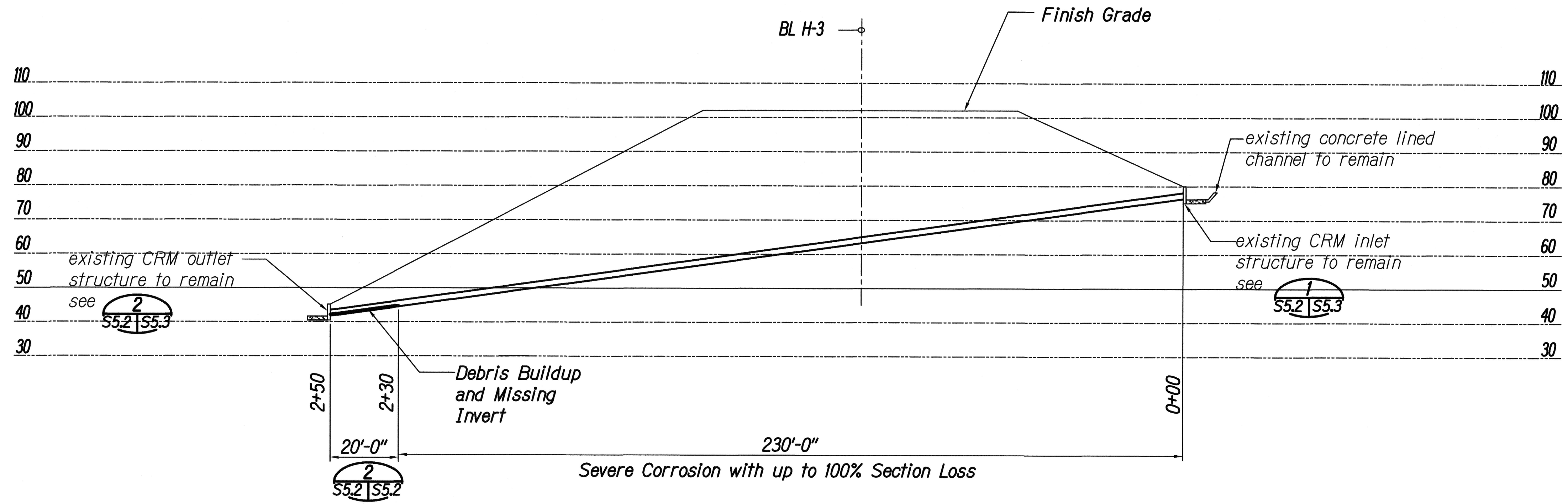
CULVERT REMEDIATION AT VARIOUS LOCATIONS ON OAHU, PHASE 2

Project No. HWY-0-03-18

Scale: As Shown Date: March 2018

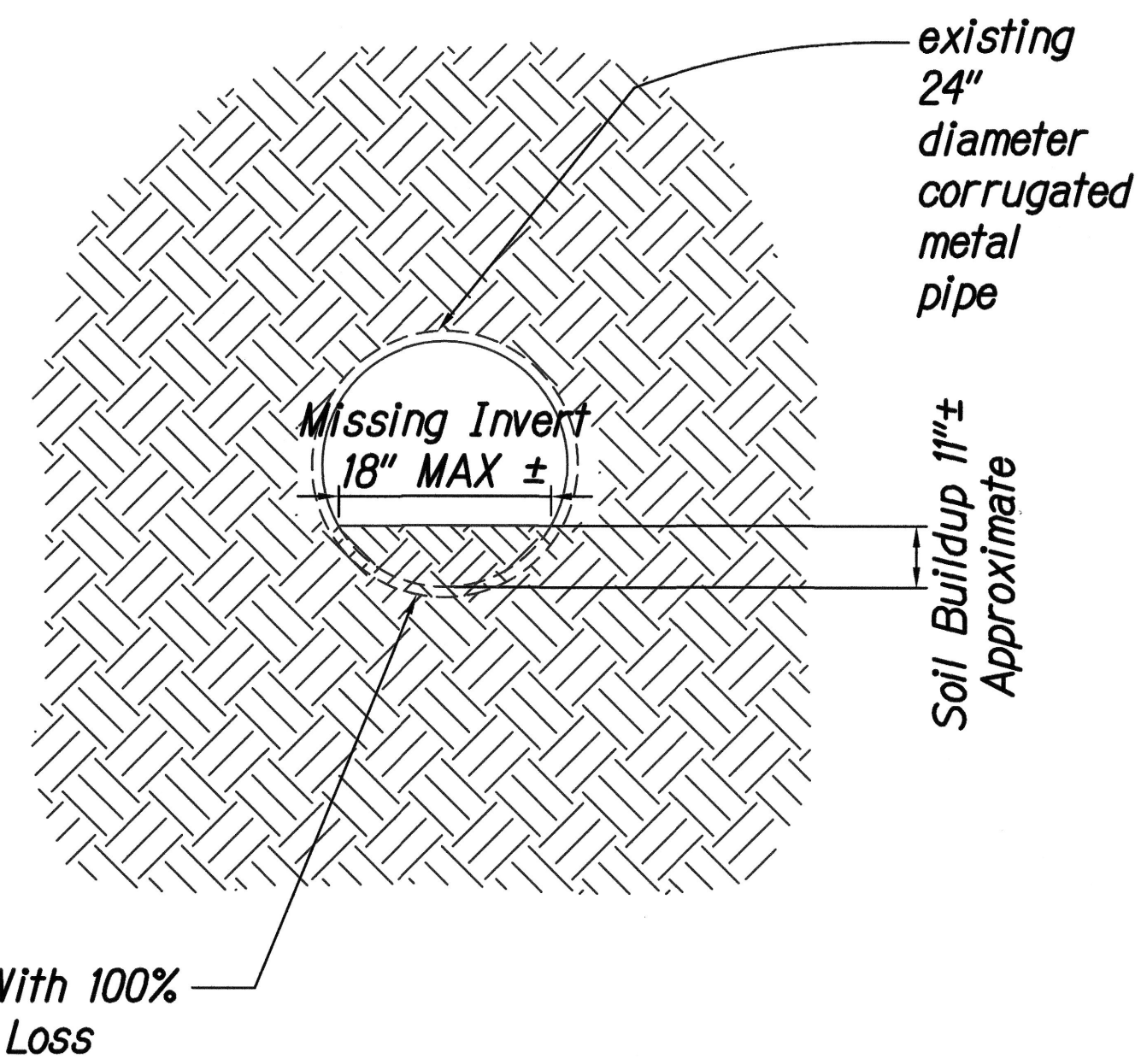
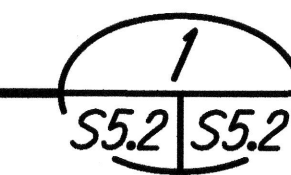
SHEET No. S5J OF 3 SHEETS

FED. ROAD DIST. NO.	STATE	PROJ. NO.	FISCAL YEAR	SHEET NO.	TOTAL SHEETS
HAWAII	HAW.	HWY-0-03-18	2018	41	93



EXISTING CULVERT SECTION, MILEPOST 14.00 (H3)

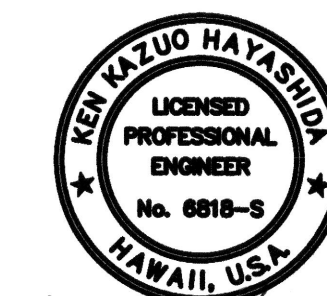
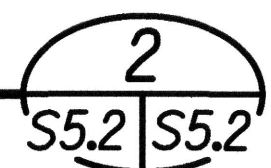
Scale: 1" = 20'-0"



For Existing Culvert Section and Repair Details See Sheet S1.2

EXISTING CULVERT SECTION AT STA 2+30 TO STA 2+50

Scale: 3/4" = 1'-0"



STATE OF HAWAII
DEPARTMENT OF TRANSPORTATION
HIGHWAYS DIVISION

Culvert Section, Milepost 14.00 (H3) PID No. 701472

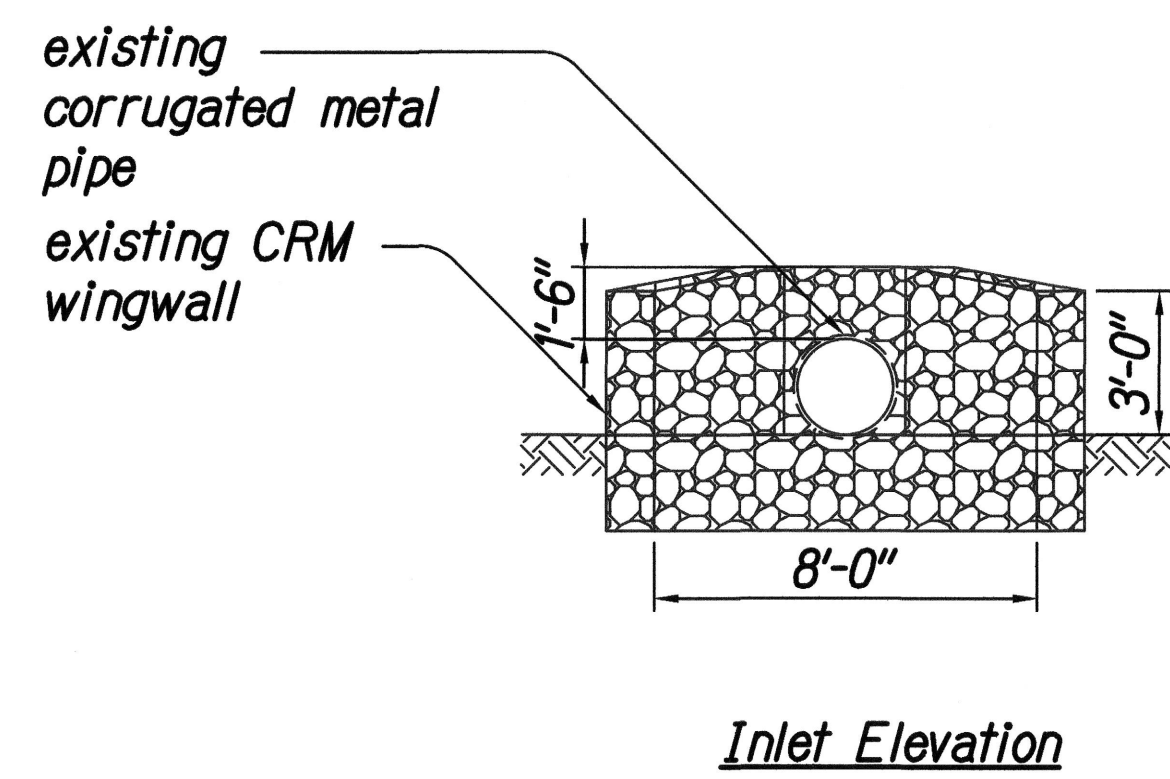
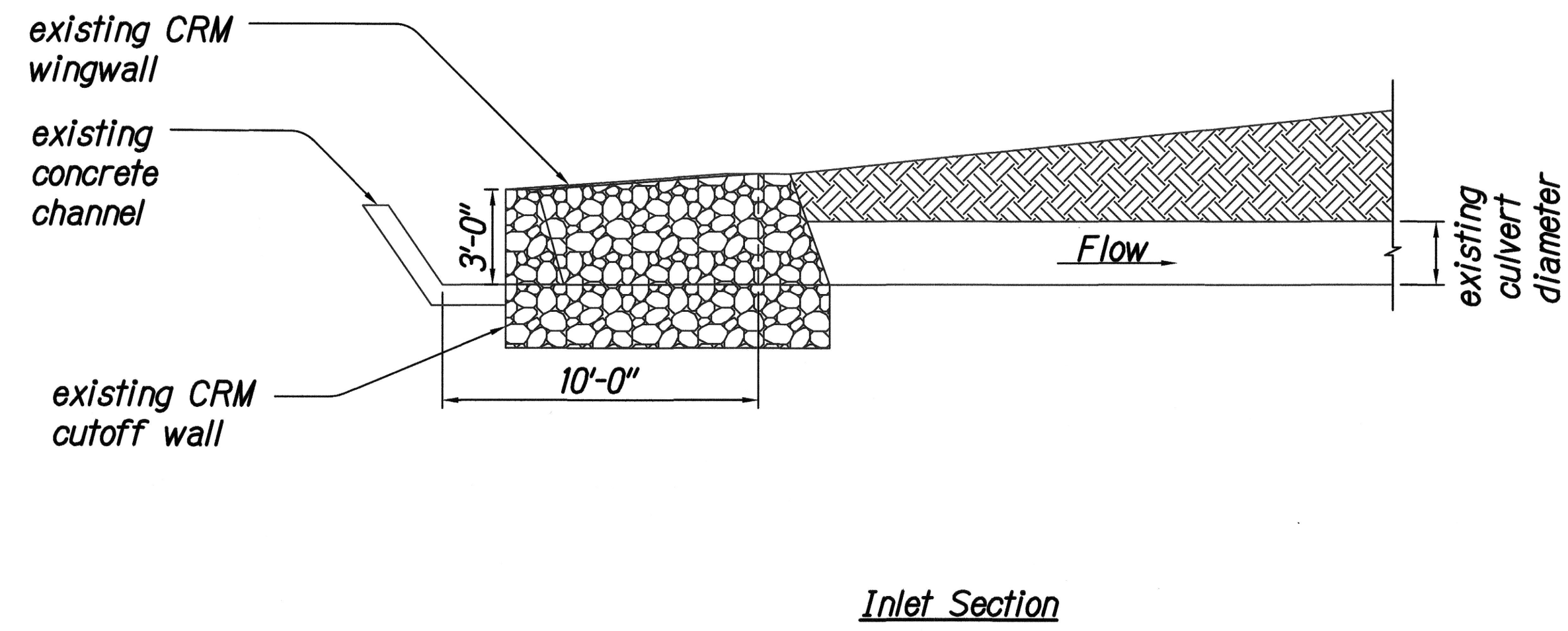
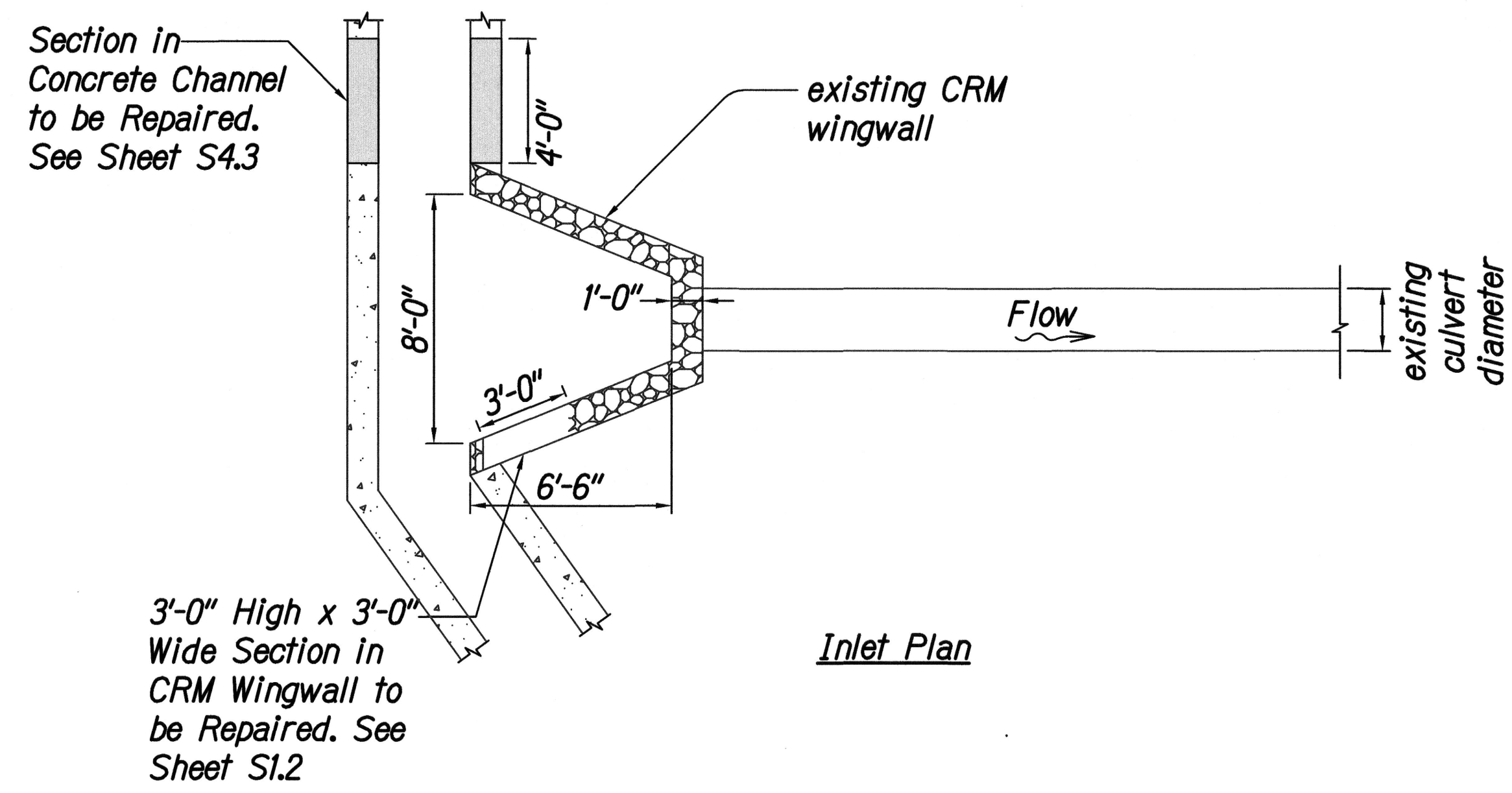
CULVERT REMEDIATION AT VARIOUS LOCATIONS ON OAHU, PHASE 2

Project No. HWY-0-03-18

Scale: As Shown Date: March 2018

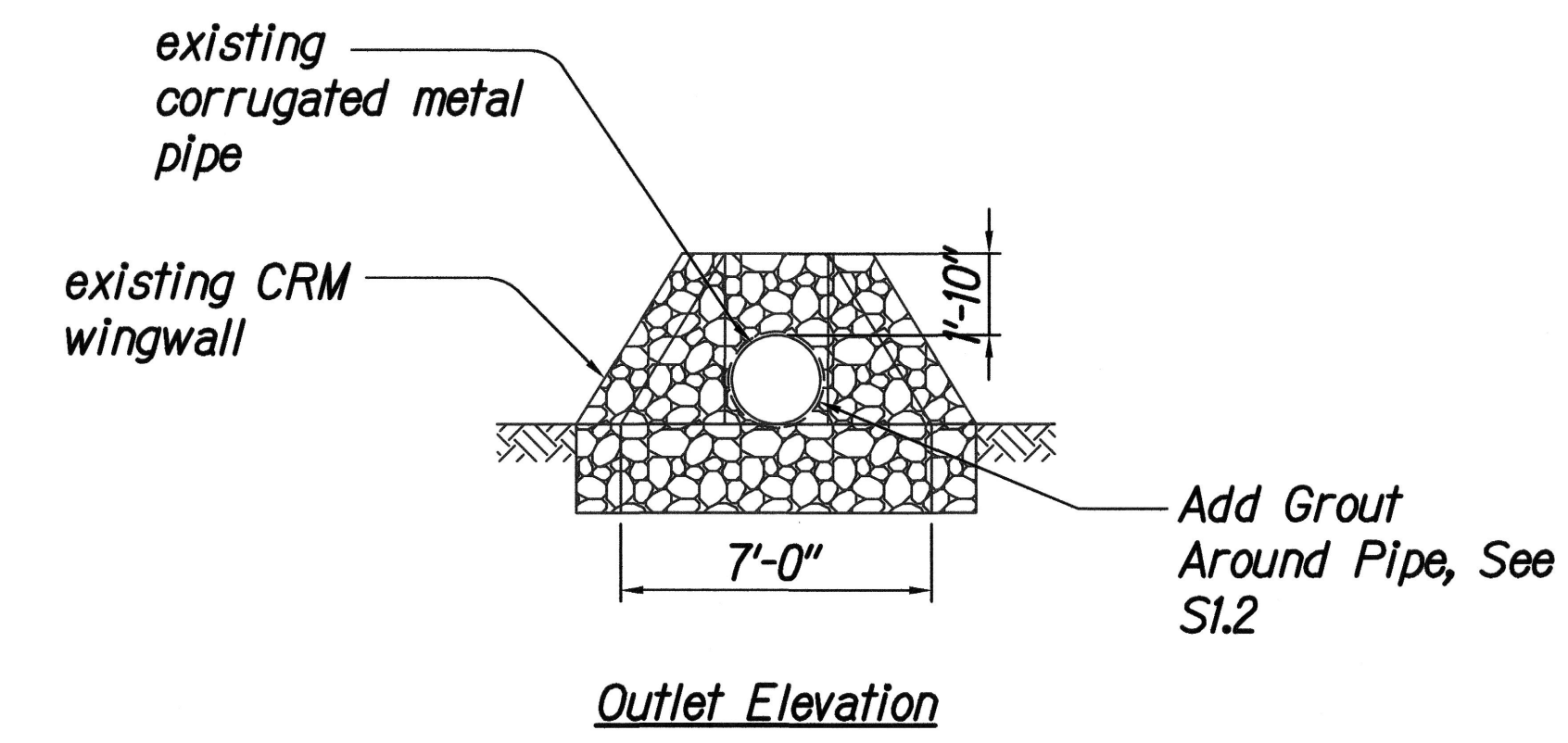
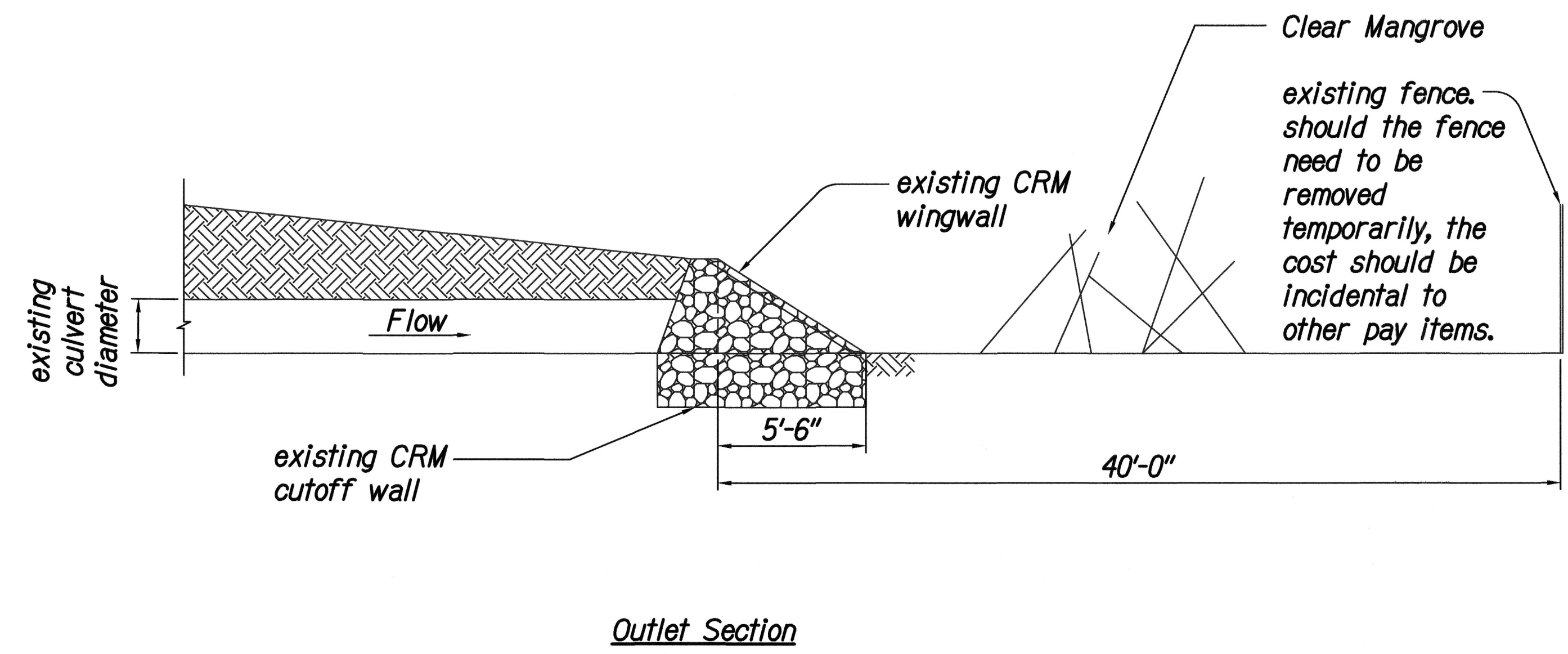
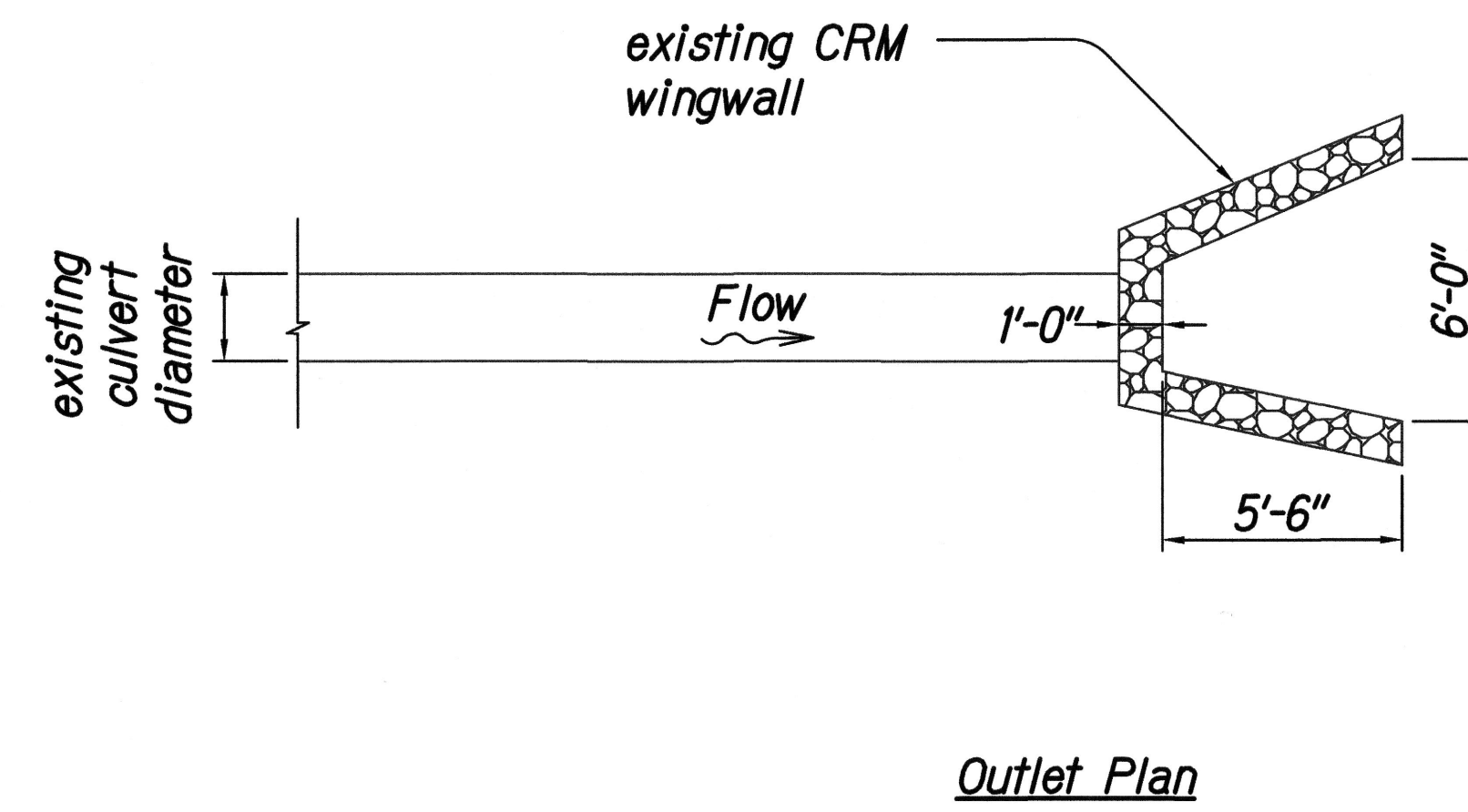
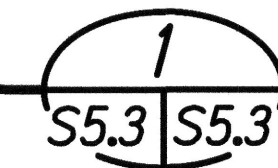
SHEET No. **S5.2** OF 3 SHEETS

FED. ROAD DIST. NO.	STATE	PROJ. NO.	FISCAL YEAR	SHEET NO.	TOTAL SHEETS
HAWAII	HAW.	HWY-0-03-18	2018	42	93



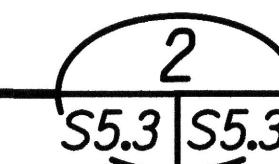
**INLET STRUCTURE
EXISTING CONDITION**

Scale: 1/4" = 1'-0"



**OUTLET STRUCTURE
EXISTING CONDITION**

Scale: 1/4" = 1'-0"



STATE OF HAWAII
DEPARTMENT OF TRANSPORTATION
HIGHWAYS DIVISION

**Culvert Section, Milepost
14.00 (H3) PID No. 701059**

**CULVERT REMEDIATION AT VARIOUS
LOCATIONS ON OAHU, PHASE 2**

Project No. HWY-0-03-18

Scale: As Shown Date: March 2018

SHEET No. **S5.3** OF **3** SHEETS