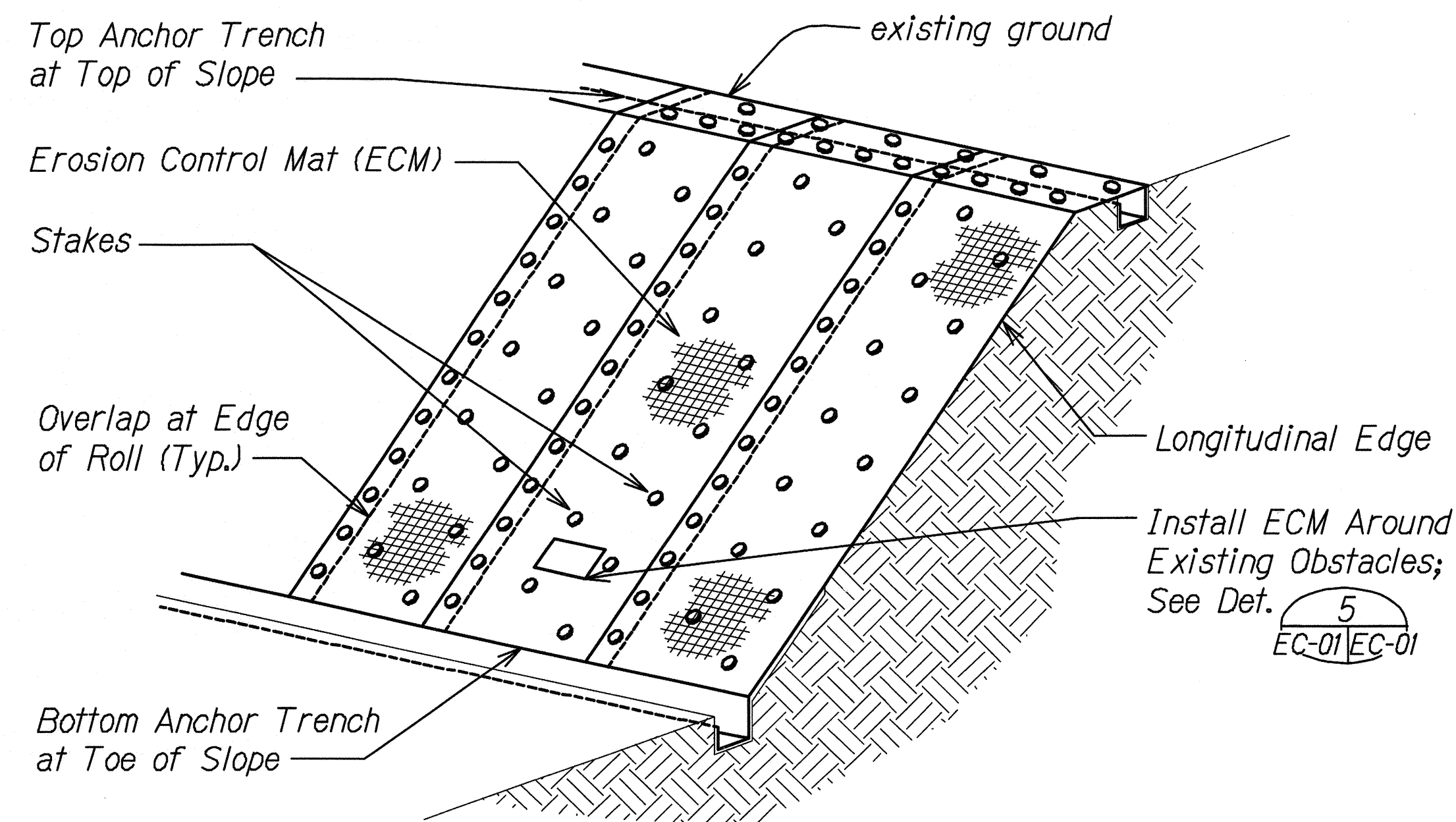
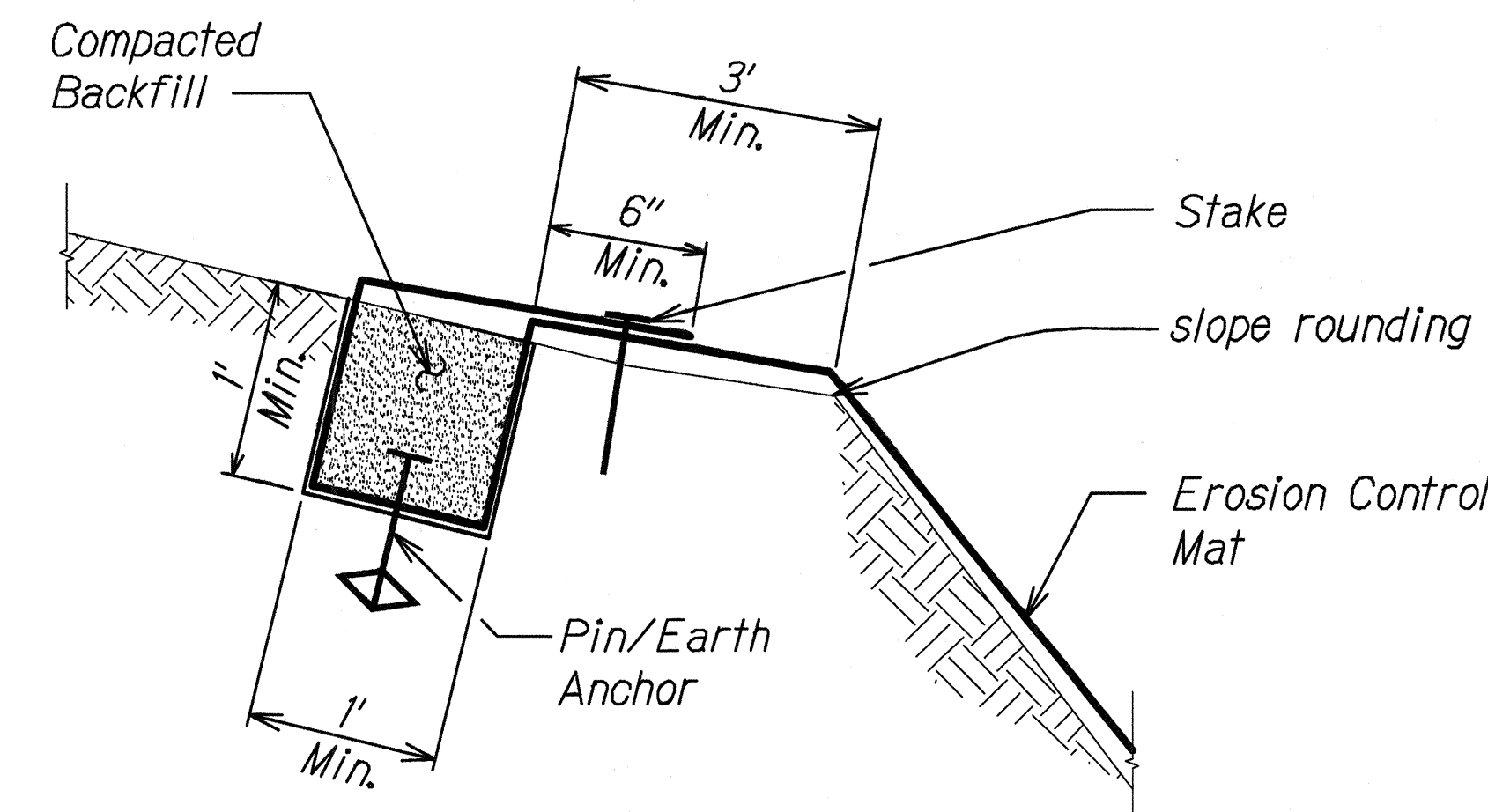


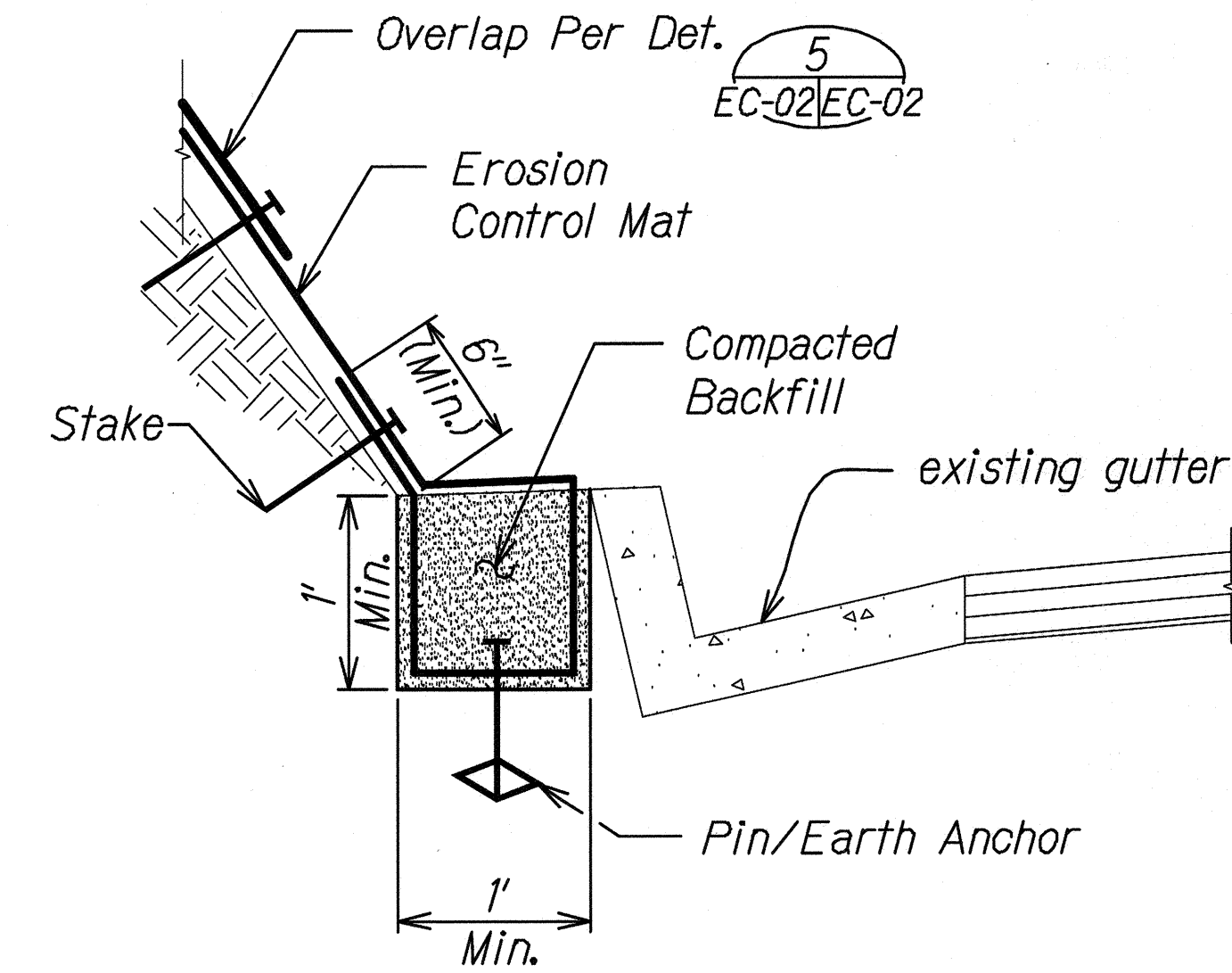
FED. ROAD DIST. NO.	STATE	PROJ. NO.	FISCAL YEAR	SHEET NO.	TOTAL SHEETS
HAWAII	HAW.	HWY-O-05-14	2016	12	43



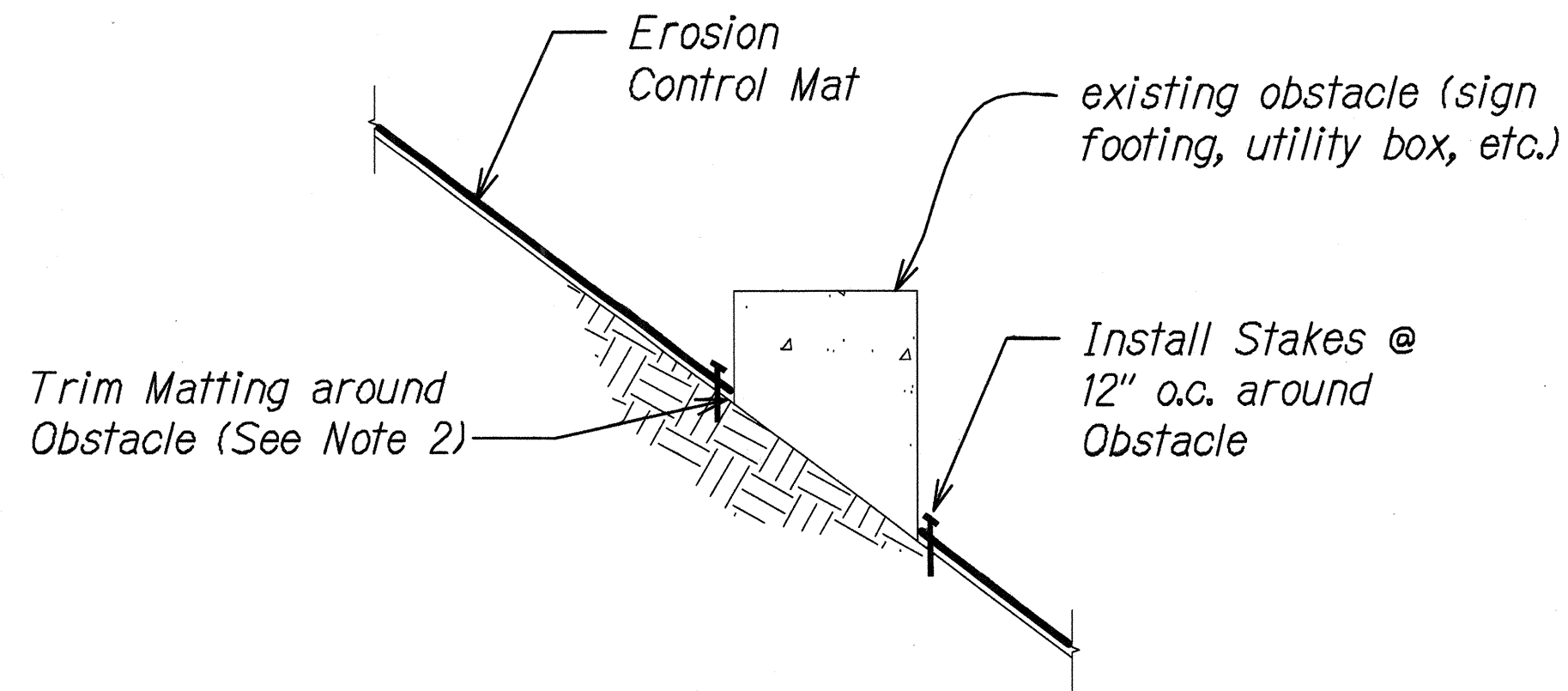
**OVERVIEW OF EROSION CONTROL MATTING SYSTEM**  
Scale: Not to Scale 1  
EC-01/EC-01



**TOP ANCHOR TRENCH DETAIL**  
Scale: Not to Scale 2  
EC-01/EC-01

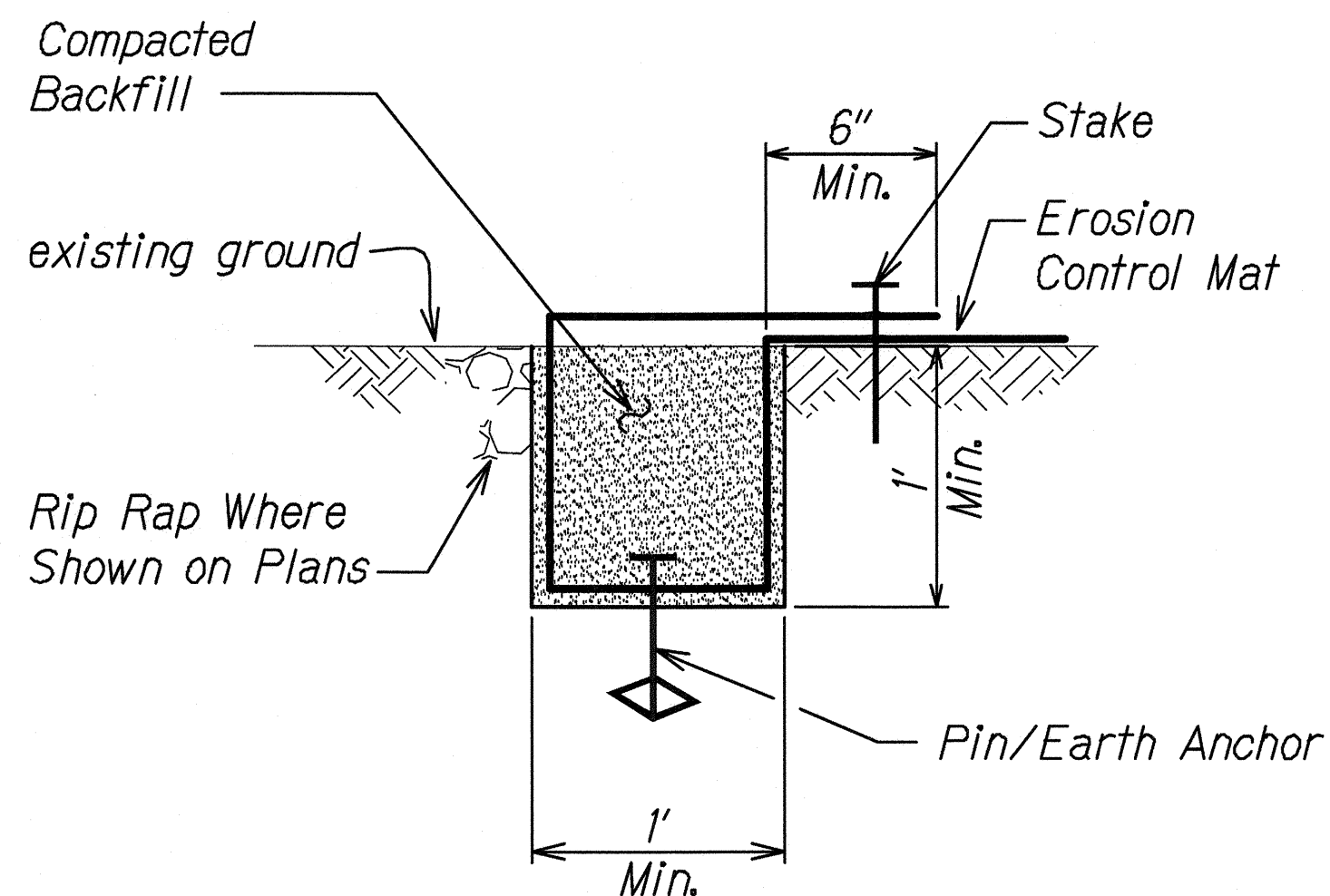


**BOTTOM ANCHOR TRENCH DETAIL**  
Scale: Not to Scale 3  
EC-01/EC-01



- Notes:**
1. Matting shall be placed and secured in direct contact with the finish grade.
  2. Maximum gap between edge of trimmed matting and obstacle shall be 1 inch.
  3. Contractor shall locate and expose exist. utility boxes prior to installing matting.
  4. For installation of matting around existing trees, see Landscape drawings.

**TYPICAL SECTION AROUND EXISTING OBSTACLES**  
Scale: Not to Scale 5  
EC-01/EC-01



**LONGITUDINAL EDGE TRENCH DETAIL**  
Scale: Not to Scale 4  
EC-01/EC-01

DATE	BY
DESIGNED BY	BY
CHECKED BY	BY
NOTED BY	BY
PLANNED BY	BY
DRAWN BY	BY
REVISIONS	

EC-01 EROSION CONTROL MATTING DETAILS IJING 1/22/2015 4:06:48 PM

4/30/16  
This work was prepared by me or under my supervision.

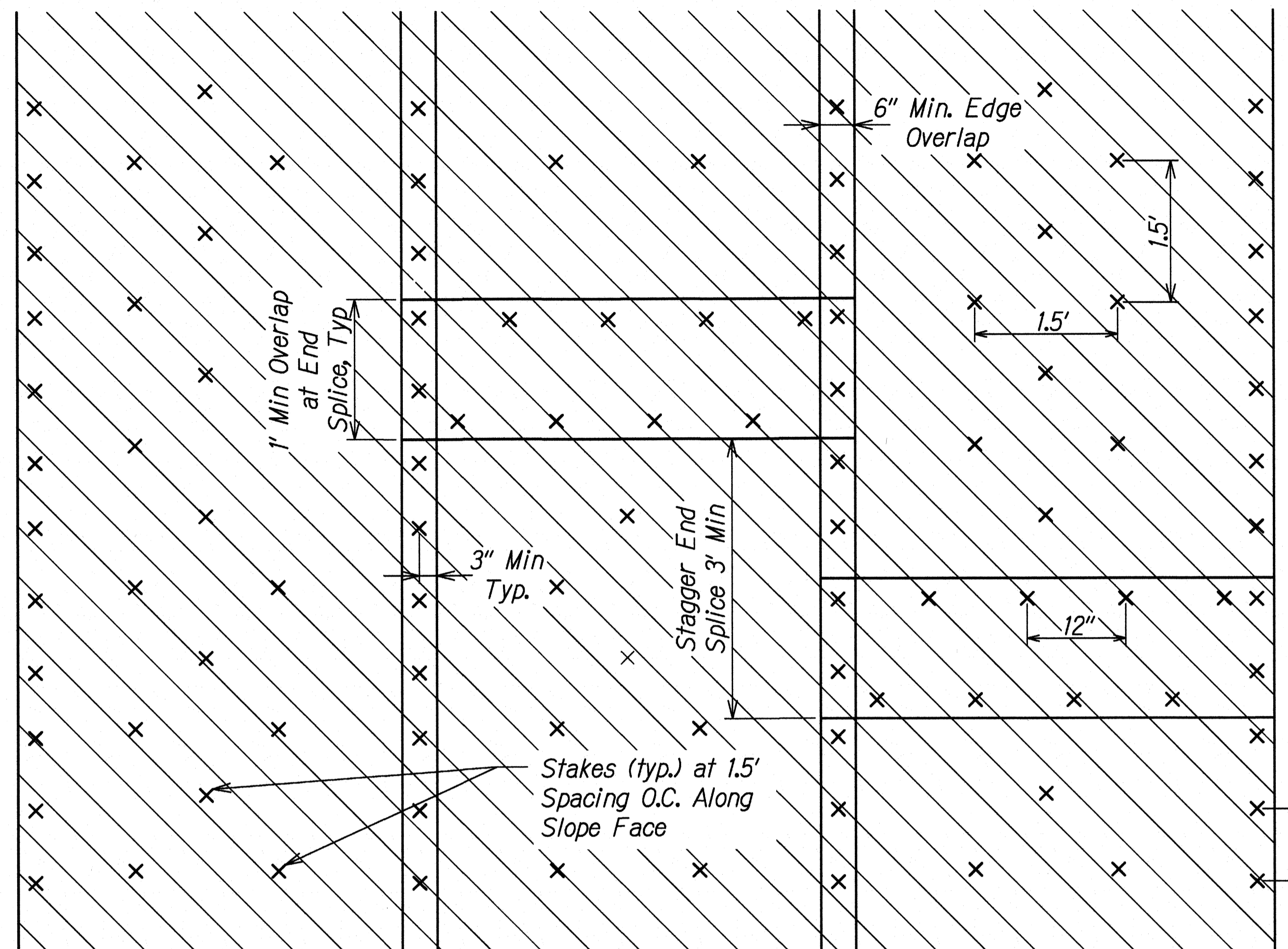
STATE OF HAWAII  
DEPARTMENT OF TRANSPORTATION  
HIGHWAYS DIVISION

**TYPICAL DETAILS**  
**EROSION CONTROL MATTING**

SLOPE IMPROVEMENTS FOR EROSION CONTROL AT VARIOUS SITES ON OAHU, PHASE 6

Project No. HWY-O-05-14  
Scale: Not to Scale Date: September 2015

FED. ROAD DIST. NO.	STATE	PROJ. NO.	FISCAL YEAR	SHEET NO.	TOTAL SHEETS
HAWAII	HAW.	HWY-O-05-14	2016	13	43

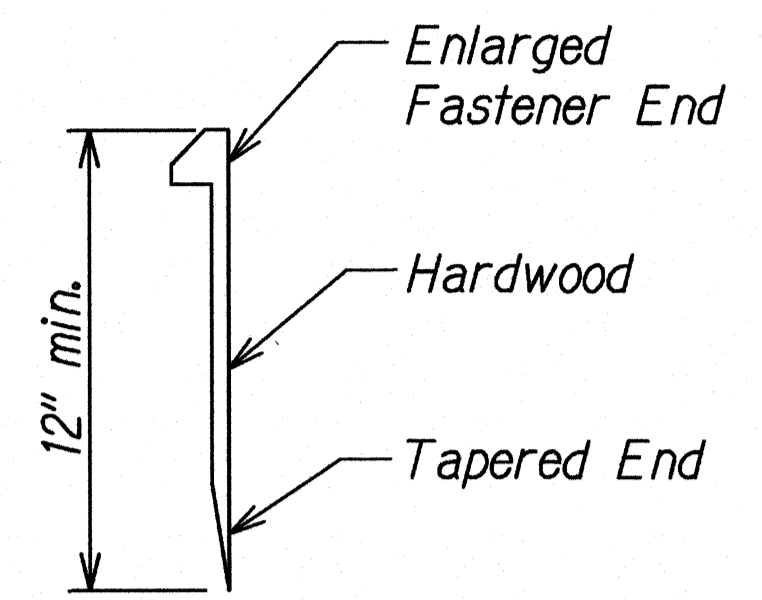


**TYPICAL EROSION CONTROL MAT AND STAKE LAYOUT**  
 Scale: Not to Scale EC-02EC-02

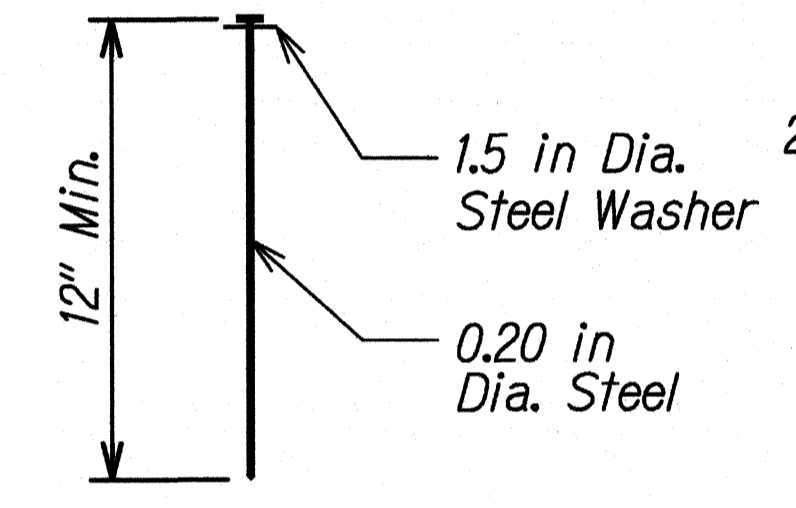
Max. Stake/Earth Anchor/Pin Spacing (See Note 1)

Fastener Type	Along Slope Face	Top, Bottom & Edge Trenches
Stakes	1.5'	-
Earth Anchor	-	4'
Pins	-	1'

- Notes:**
- Secure all erosion control mat edges with stakes, earth anchors and pins at the spacing indicated or the manufacturer's recommended spacing, whichever is more stringent.
  - For slopes 3H:1V or flatter, no ECM required.
  - Earth anchors in trenches shall extend a minimum depth of 3' from slope face.
  - ~~For bottom edges of ECM terminating at mid slope, no bottom trench is required. In lieu of bottom trench, install stakes along bottom edge at 1' maximum spacing, respectively.~~

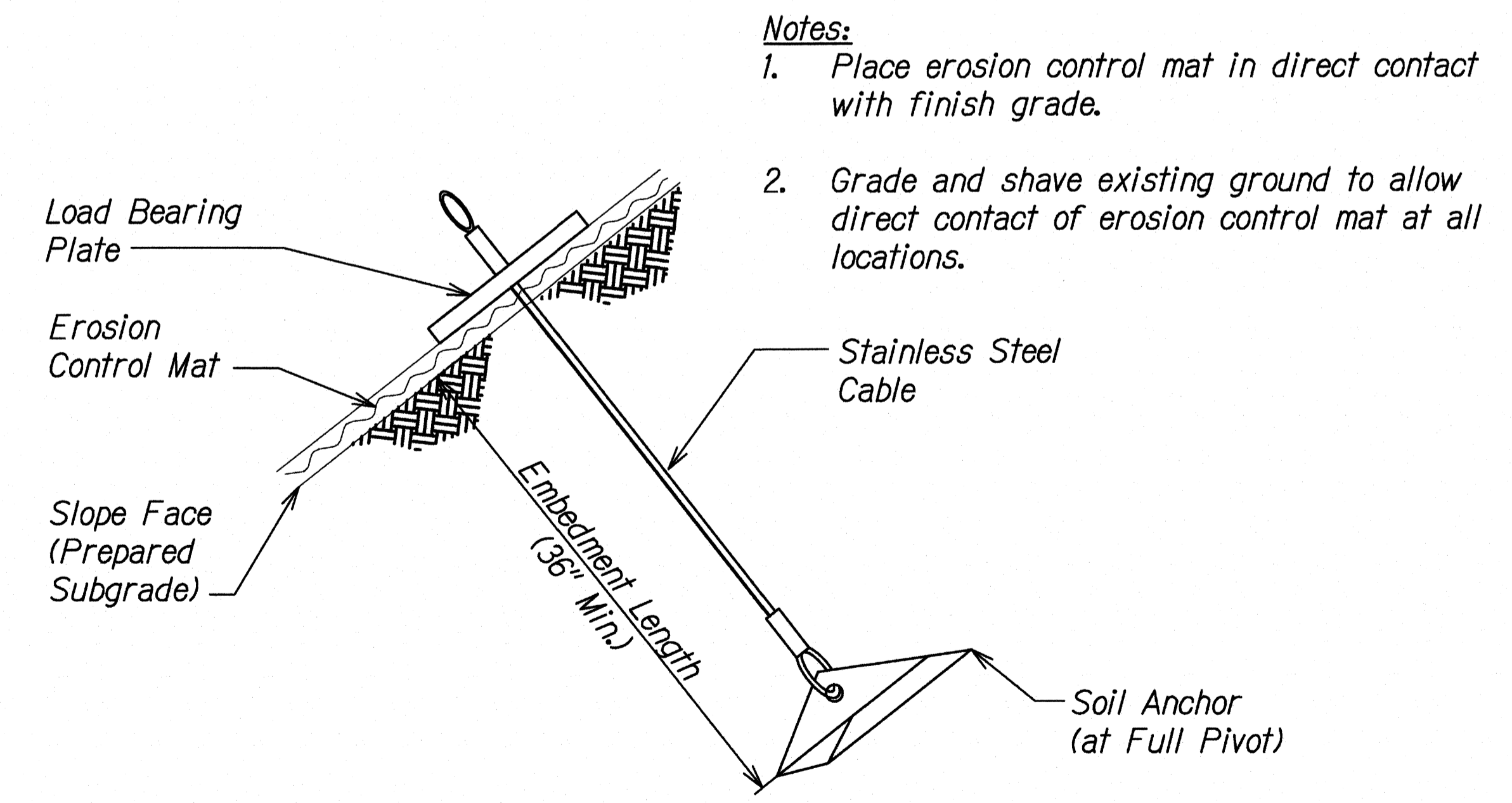


**STAKE DETAIL** 2  
 Scale: Not to Scale EC-02EC-02

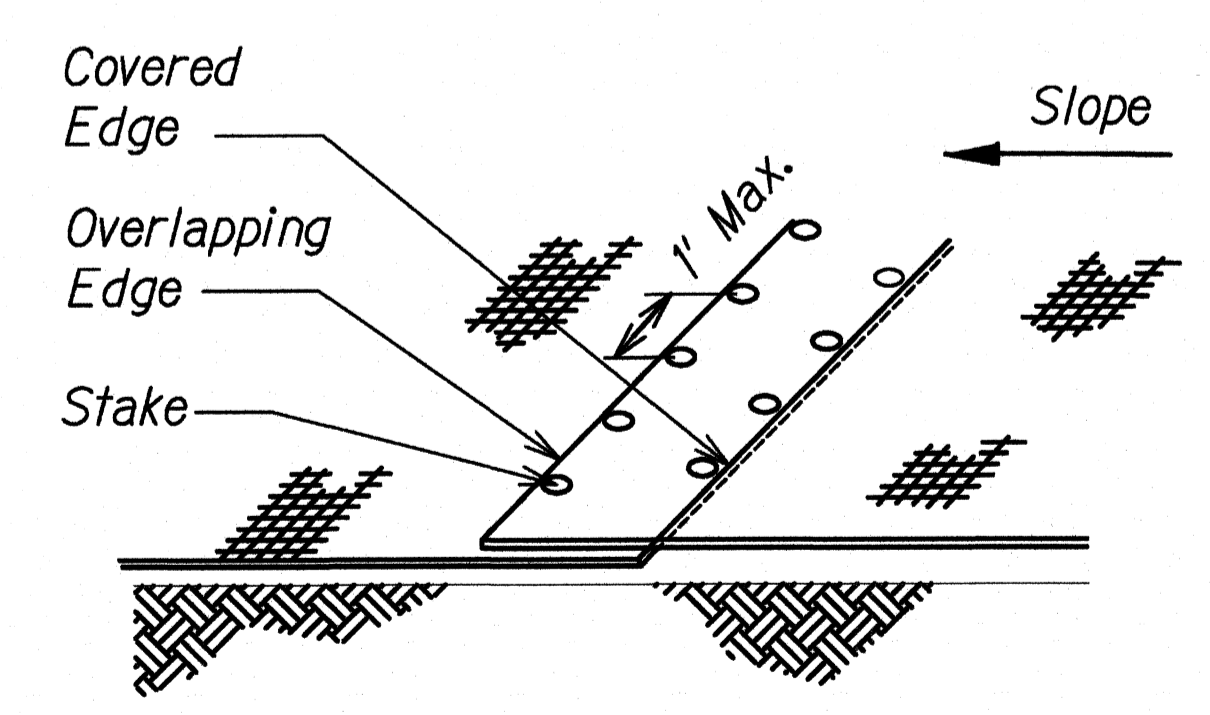


**PIN DETAIL** 3  
 Scale: Not to Scale EC-02EC-02

- Notes:**
- For clayey soils, pins shall be a minimum of 12" in length.
  - For sandy soils, pins shall be a minimum of 18" in length.



**EARTH ANCHOR DETAIL** 4  
 Scale: Not to Scale EC-02EC-02



**OVERLAP END DETAIL** 5  
 Scale: Not to Scale EC-02EC-02

**LEGEND FOR AS-BUILT POSTINGS**

	Squiggly line for as-built deletion
	Double line for as-built deletion
	Text for as-built posting

GENERAL SURVEY PLOTTED BY: DATE: \_\_\_\_\_  
 DRAWN BY: \_\_\_\_\_  
 CHECKED BY: \_\_\_\_\_  
 NOTE BOOK DESIGNED BY: \_\_\_\_\_  
 QUANTITIES BY: \_\_\_\_\_  
 No. \_\_\_\_\_

13. EC-02 EROSION CONTROL MATTING DETAILS 2/15/2016 4:26:22 PM

STATE OF HAWAII  
 DEPARTMENT OF TRANSPORTATION  
 HIGHWAYS DIVISION

**TYPICAL DETAILS**  
**EROSION CONTROL MATTING**  
 SLOPE IMPROVEMENTS FOR EROSION CONTROL  
 AT VARIOUS SITES ON OAHU, PHASE 6

Project No. HWY-O-05-14  
 Scale: Not to Scale Date: September 2015

"AS-BUILT"