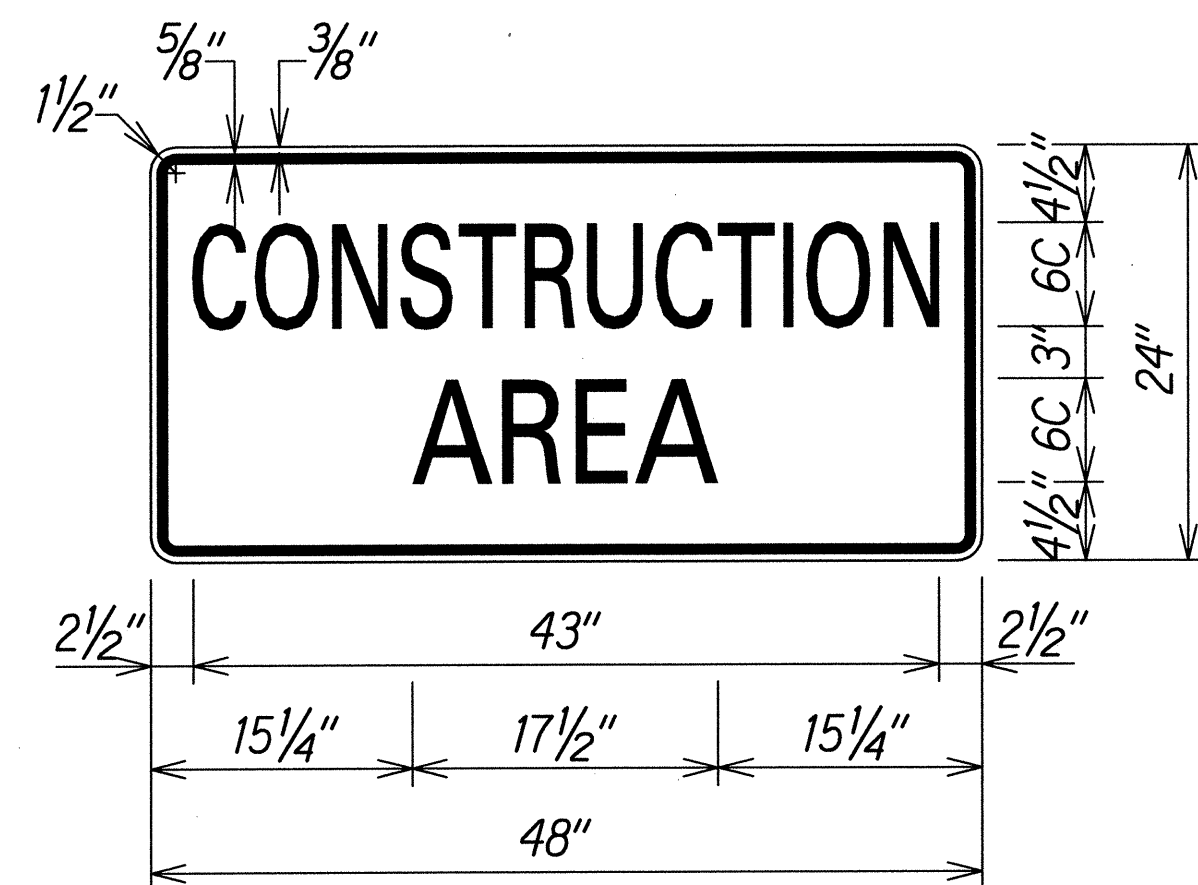


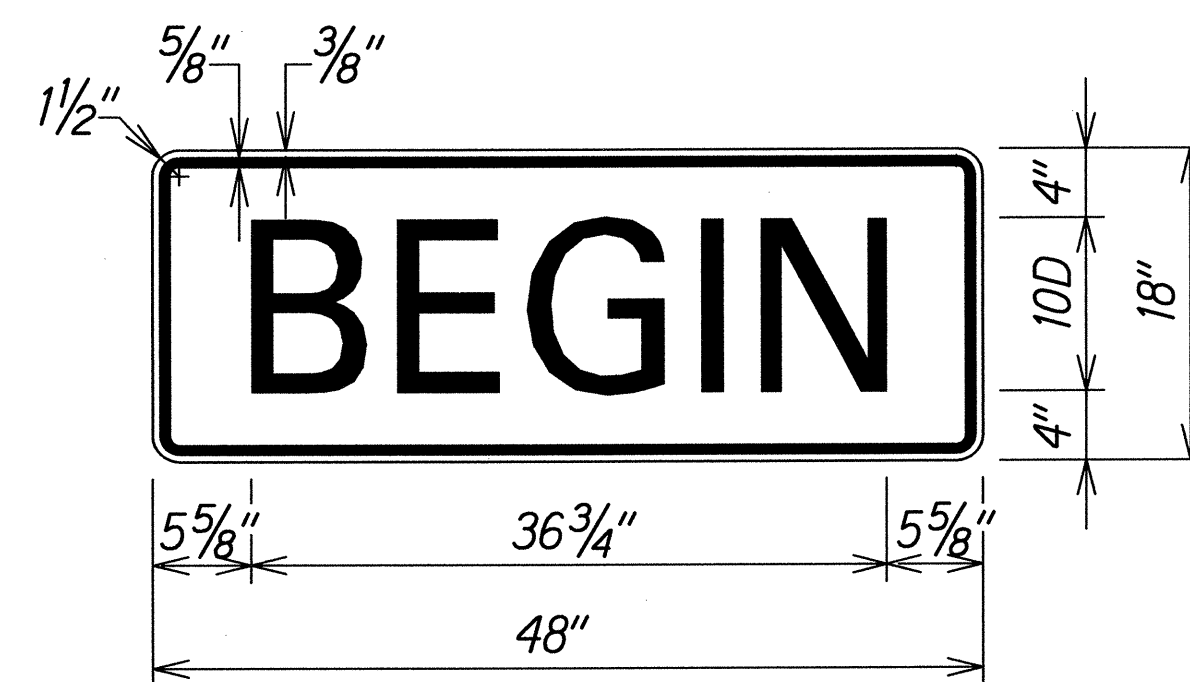
FED. ROAD DIST. NO.	STATE	PROJ. NO.	FISCAL YEAR	SHEET NO.	TOTAL SHEETS
HAWAII	HAW.	HWY-0-02-11R	2014	36	43

Work Zone Note:

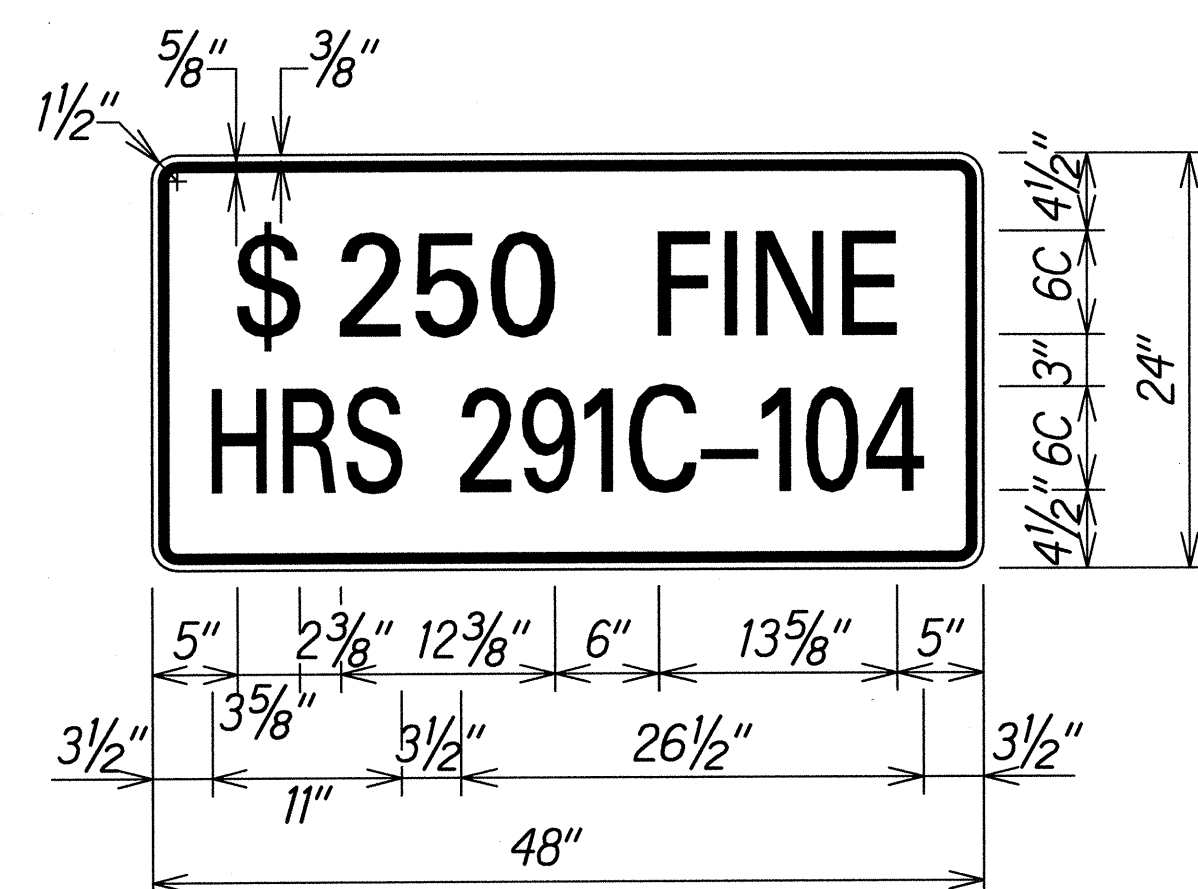
- All existing regulatory speed limit signs within the work zone/project limits shall be covered and work zone speed limit sign assemblies (R2-1(45)-A and R2-5b(45)-A with "CONSTRUCTION AREA" and "\$250 FINE HRS 291C-104" Supplemental Signs) shall be displayed during lane closure hours.
- Upon removal of the lane closure, all work zone speed limit signs shall be covered and existing speed limit signs within the work zone/project limits shall be restored.
- Construction signs shall be installed on both the approaching and trailing ends of each work zone.
- Each construction sign and work zone speed limit assembly shall have a minimum of two (2) Type II OM. Installation of each Type II OM shall be considered incidental to Item No. 645.1000-Traffic Control.
- All work zone speed sign assembly shall be mounted on three (3) 4.00 lbs./ft. galvanized flanged channel sign posts with a sign clearance height of five (5) feet. Sign stiffeners as specified by Standard Plan Sheet TE-02A shall be installed as needed or as directed by the Engineer.
- The daily covering and uncovering of existing regulatory speed limit signs along with the installation; maintenance, removal and daily covering and uncovering of work zone speed limit sign assemblies shall be considered incidental to Item No. 645.1000-Traffic Control.
- All work zone signs shall have the project number and Contractor's name on the back of the sign in 1/2" high letters, black paint.
- All traffic cones, delineators, and barrels, etc. shall have retroreflective bands.
- Provide 2 off duty police officers and vehicles at every on-ramp and off-ramp. Payment shall be incidental to Item No. 645.1000-Traffic Control and will not be paid under additional police officers (F.A.).
- All cones shall be retroreflective as required by MUTCD and be a min. of 28" high & weigh a minimum 10 pounds.



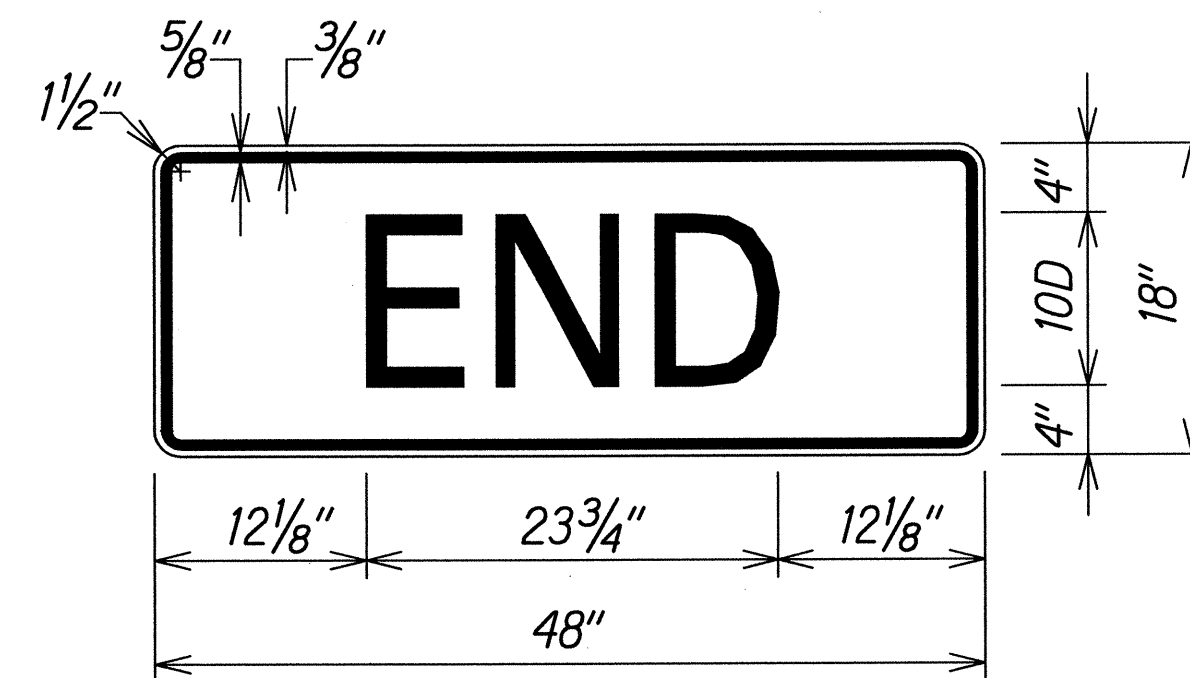
LEGEND: BLACK BACKGROUND: ORANGE



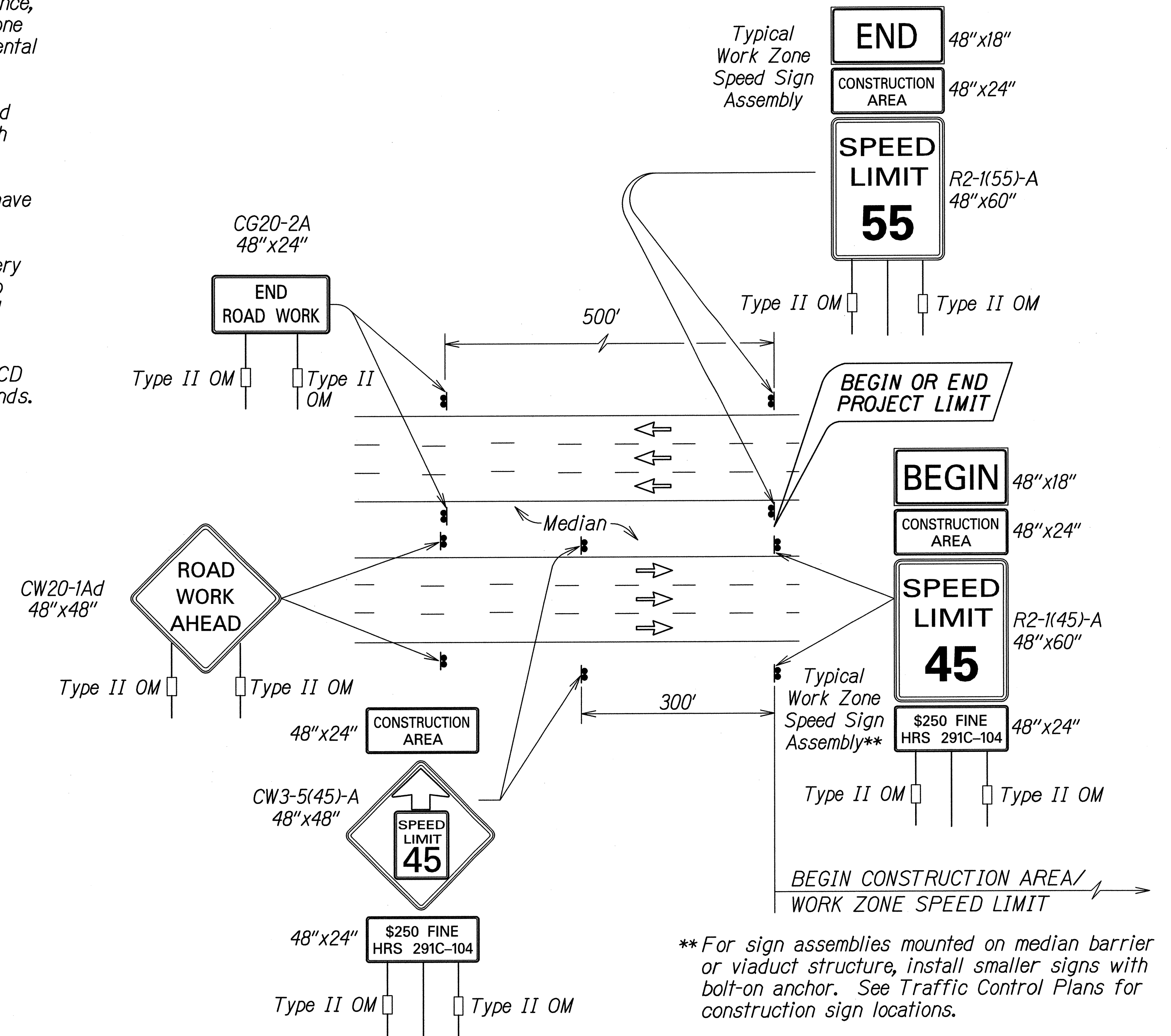
LEGEND: BLACK BACKGROUND: ORANGE



LEGEND: BLACK BACKGROUND: WHITE



LEGEND: BLACK BACKGROUND: ORANGE



TYPICAL DETAIL FOR CONSTRUCTION SIGNS ON FREEWAY

**For sign assemblies mounted on median barrier or viaduct structure, install smaller signs with bolt-on anchor. See Traffic Control Plans for construction sign locations.

ORIGINAL PLAN	DATE
DRAWN BY	
DESIGNED BY	
QUANTITIES BY	
CHECKED BY	

T: /16423A-Permanent BMP/CADD/Sheets/Traffic Control/consign/vr.dgn

THIS WORK WAS PREPARED BY ME OR UNDER MY SUPERVISION.

Signature: *Gerald D. Andrade* Date: 04/30/14

EXPIRATION DATE OF THE LICENSE

STATE OF HAWAII
DEPARTMENT OF TRANSPORTATION
HIGHWAYS DIVISION

FREEWAY WORK ZONE SIGNING

PLAN, NOTES & DETAILS

MISCELLANEOUS PERMANENT BEST MANAGEMENT PRACTICES ON OAHU

PROJECT NO. HWY-0-02-11R

Scale: None Date: April, 2014

SHEET No. TCP-1 OF 8 SHEETS