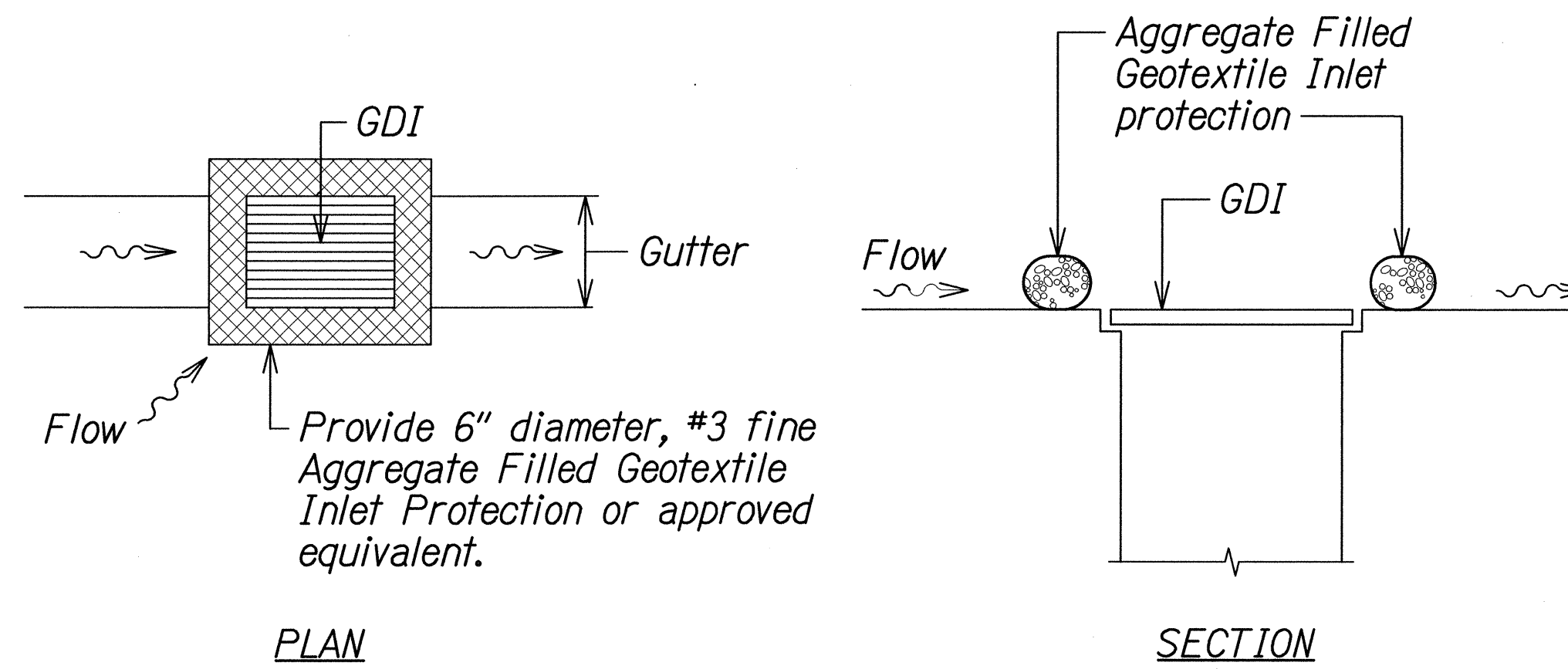
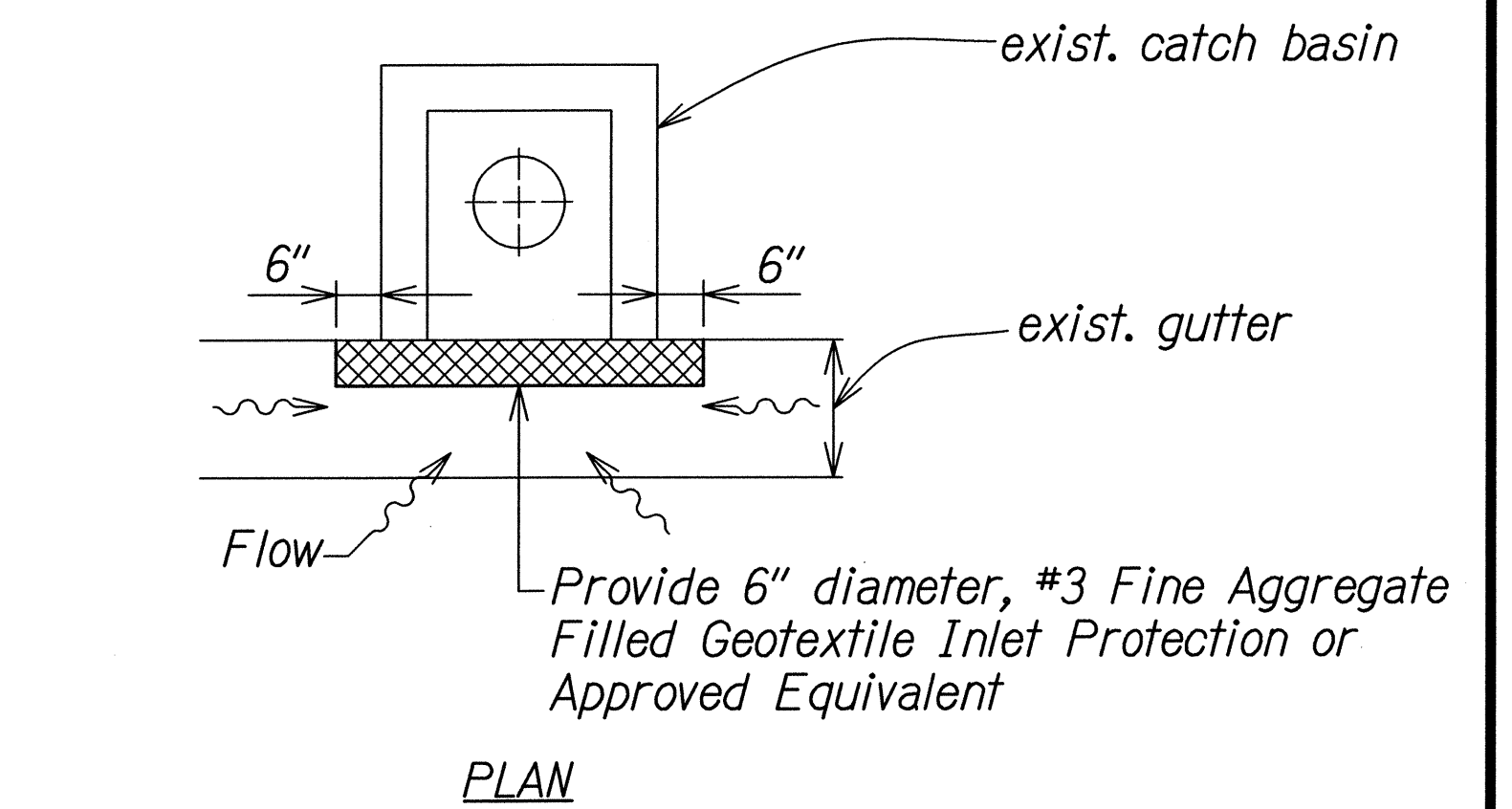
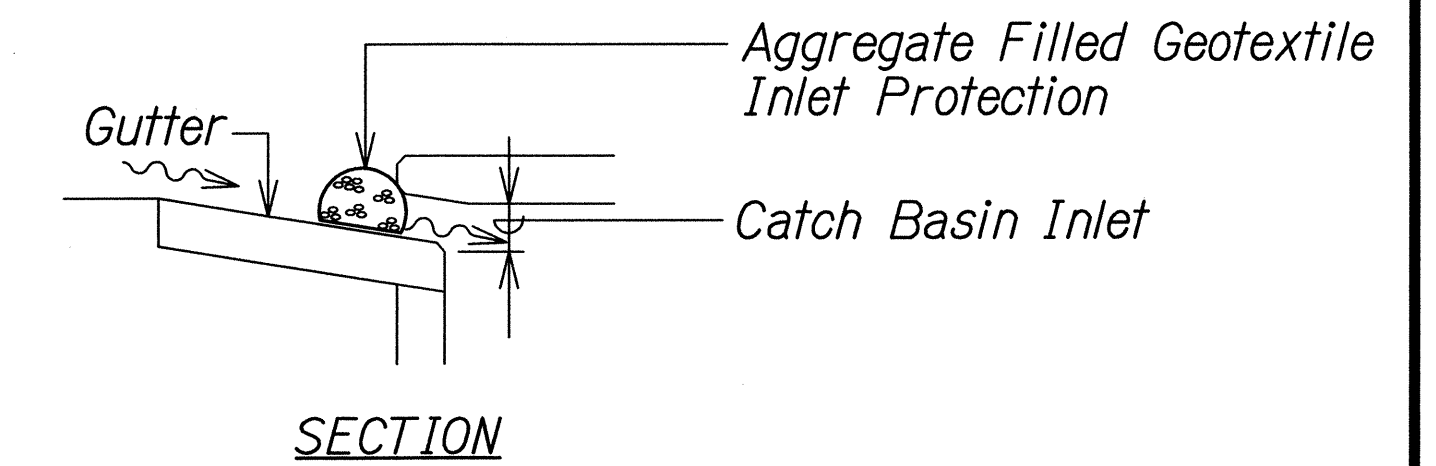


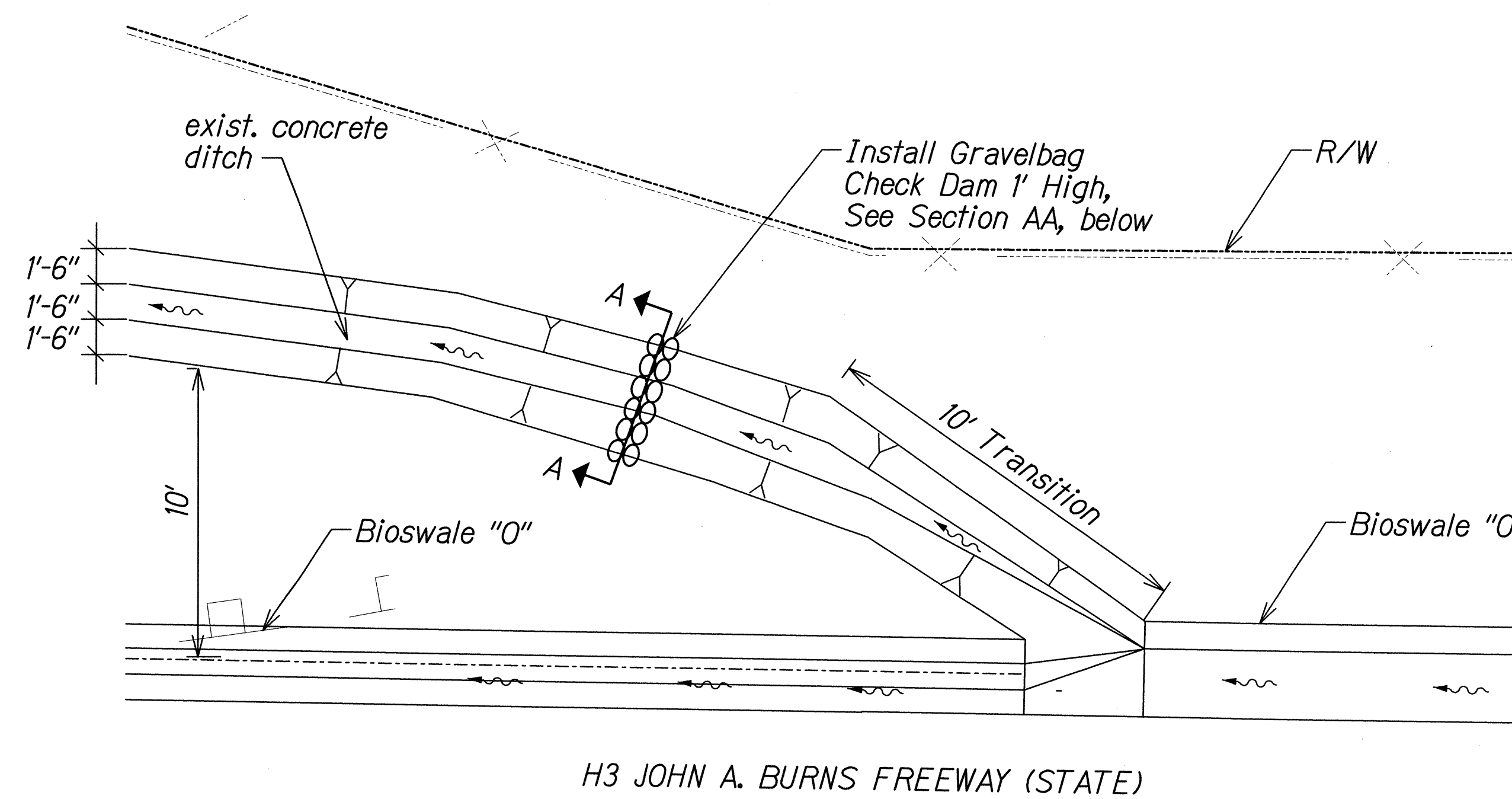
FED. ROAD DIST. NO.	STATE	PROJ. NO.	FISCAL YEAR	SHEET NO.	TOTAL SHEETS
HAWAII	HAW.	HWY-0-02-11R	2014	12	43



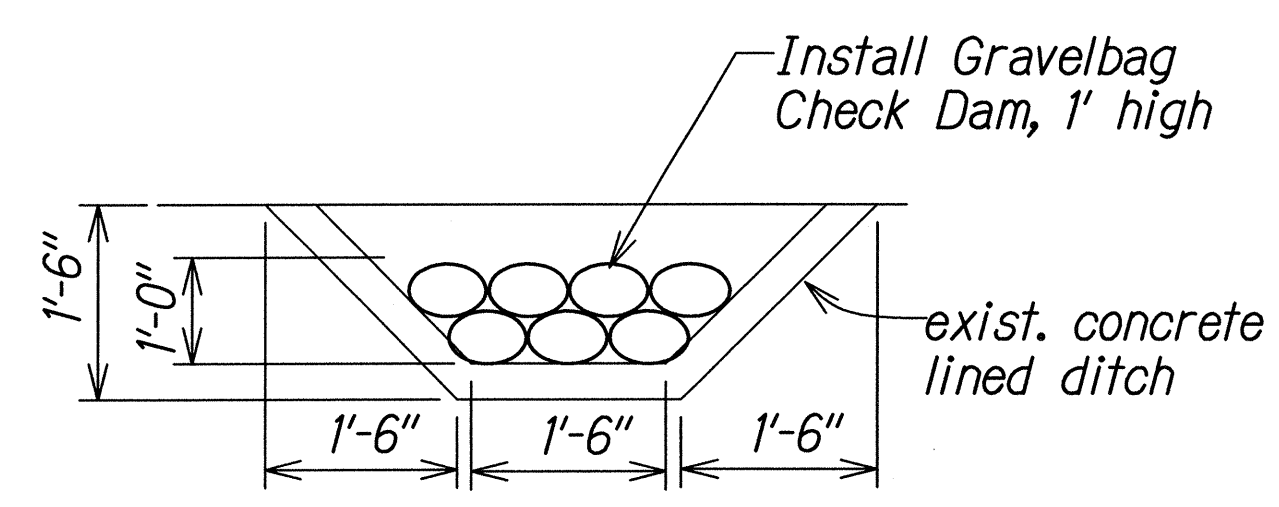
INLET PROTECTION AT GRATED DROP INTAKE (GDI)
Not to Scale



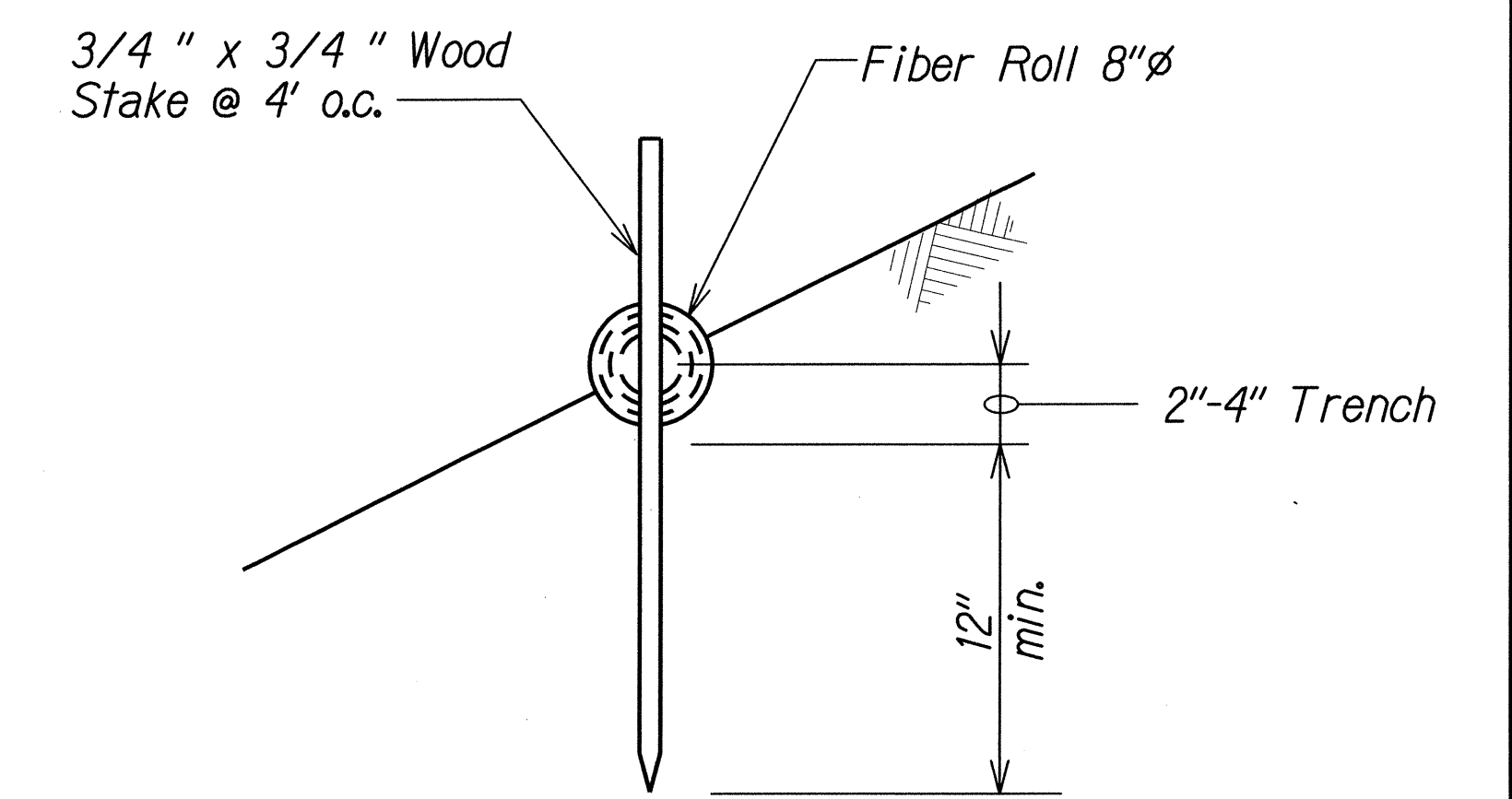
INLET PROTECTION AT EXISTING CATCH BASIN
Not to Scale



H3 JOHN A. BURNS FREEWAY (STATE)



SECTION A-A
Not to Scale
GRAVEL BAG CHECK DAM DETAIL - H3 STATION 637+05
Not to Scale



FIBER ROLL DETAIL
Not to Scale

DESIGNED BY	DATE
CHECKED BY	
QUANTITIES BY	
DESIGNED BY	
TRACED BY	
PLANNED BY	
NOTED BY	
ORIGINAL PLAN	

T:\16523A-Permanent_BMP\Cadd\Sheets/misc/G-11.dgn

THIS WORK WAS PREPARED BY ME OR UNDER MY SUPERVISION.

Signature: *Gerald D. Andrade*
EXPIRATION DATE OF THE LICENSE: 04/30/14

STATE OF HAWAII
DEPARTMENT OF TRANSPORTATION
HIGHWAYS DIVISION

BEST MANAGEMENT PRACTICE DETAILS

MISCELLANEOUS PERMANENT BEST MANAGEMENT PRACTICES ON OAHU

PROJECT NO. HWY-0-02-11R
Scale: Not to Scale Date: April, 2014

SHEET No. G-11 OF 11 SHEETS