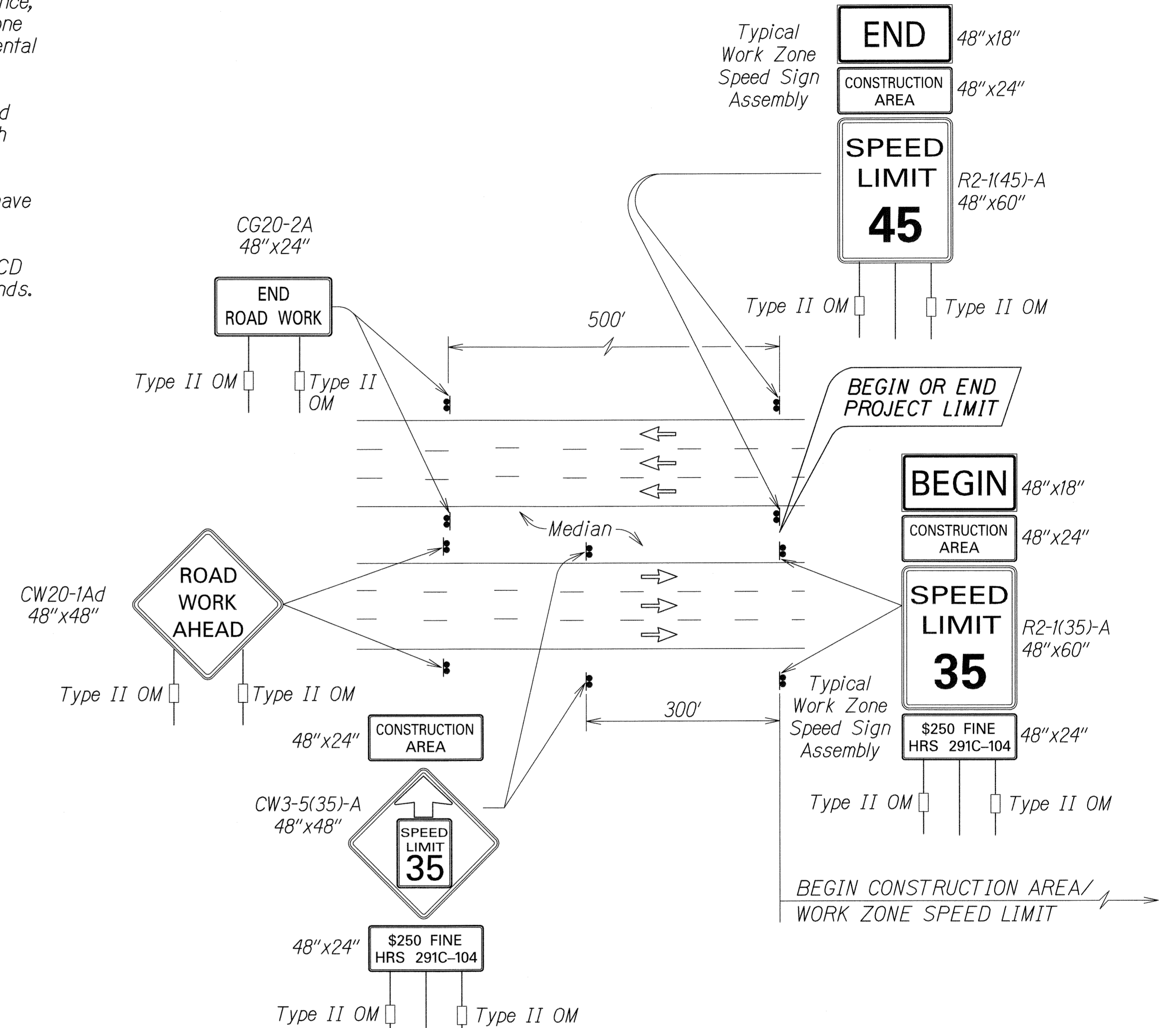
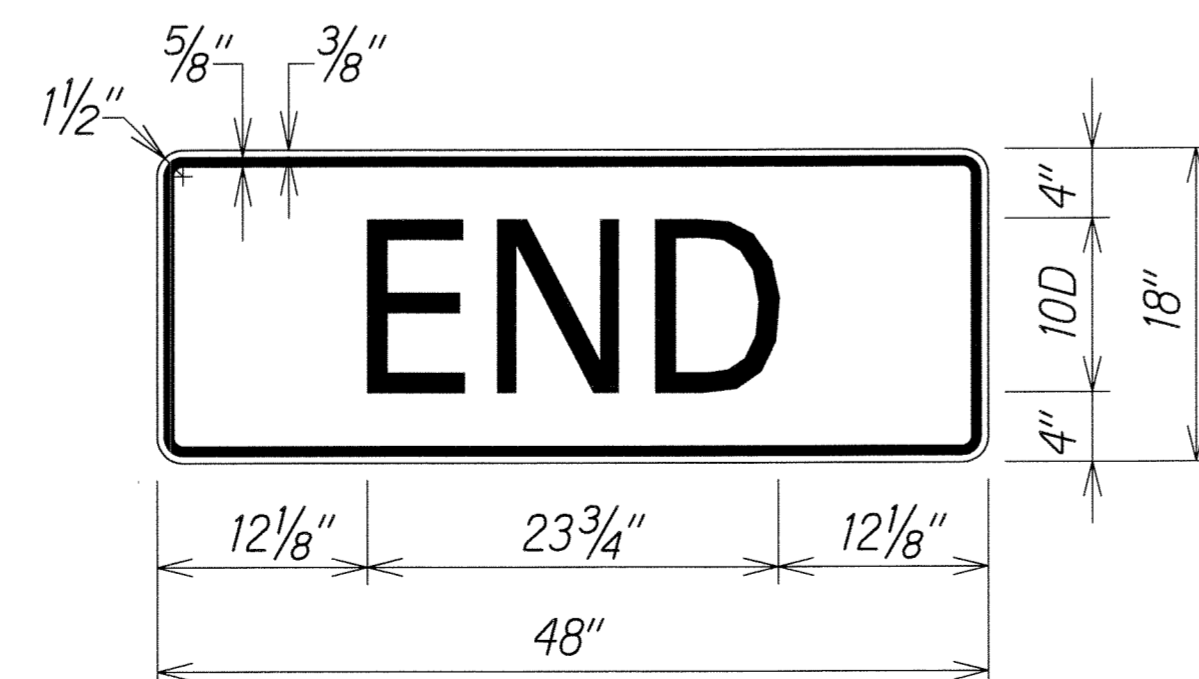
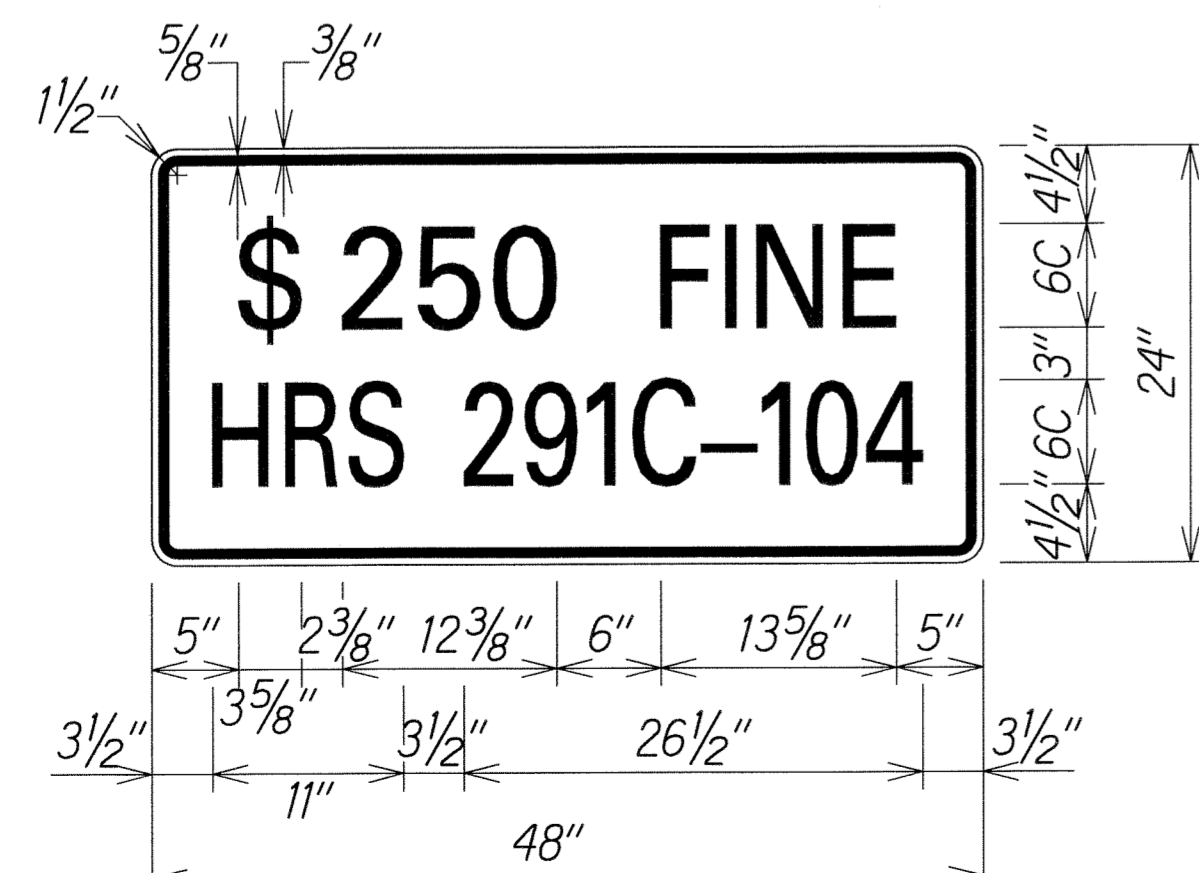
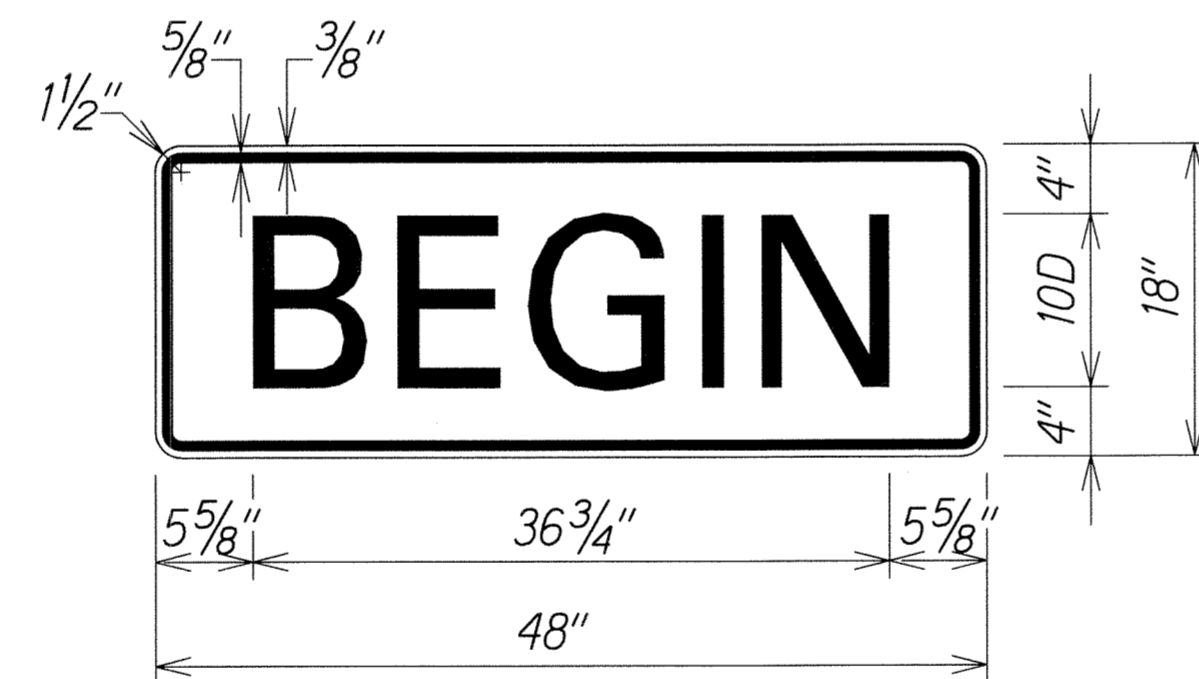
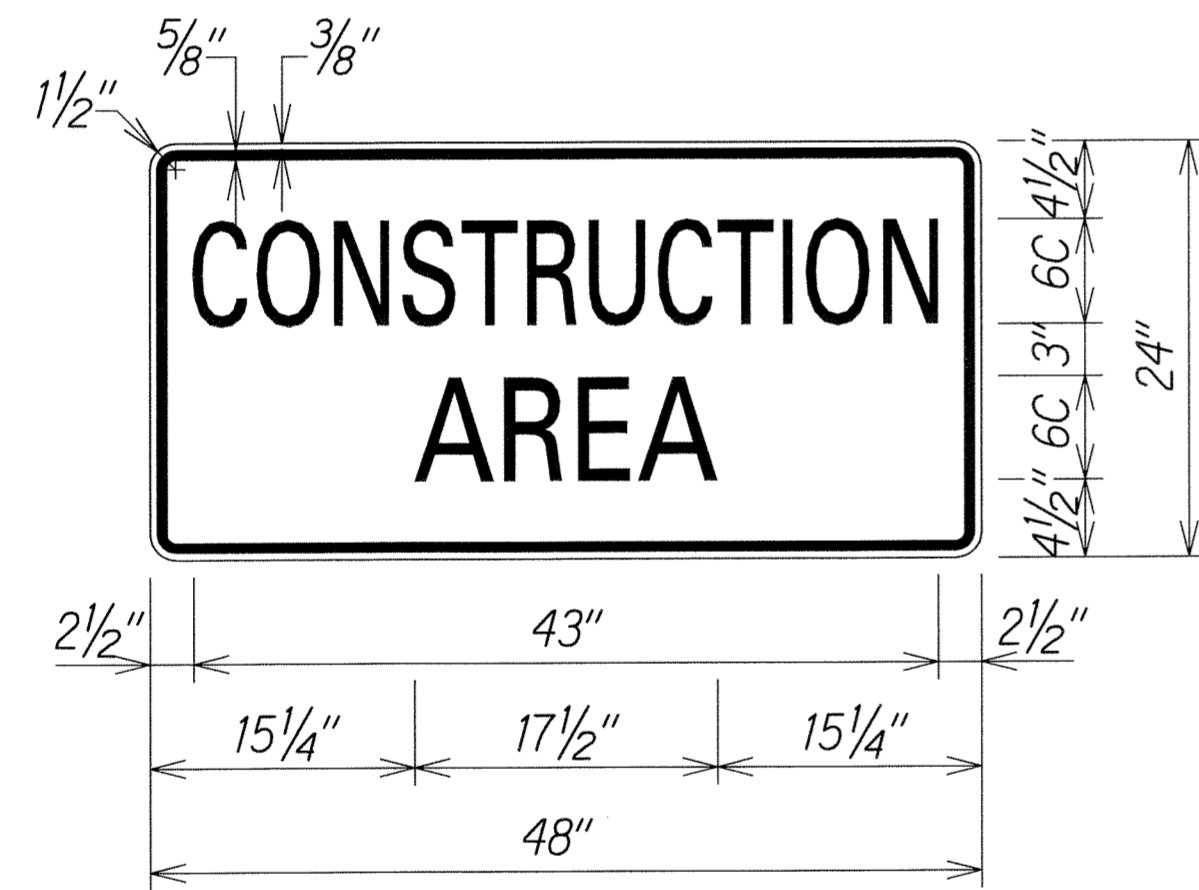


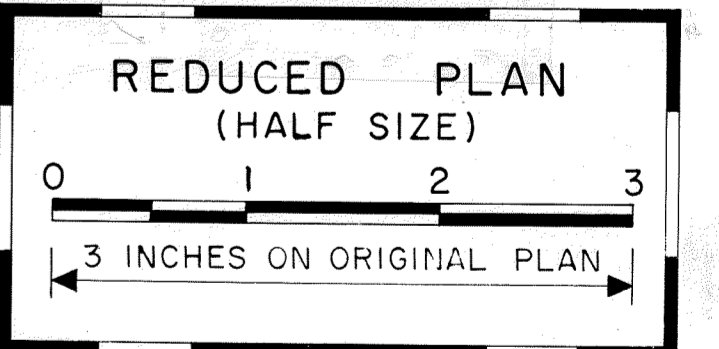
FED. ROAD DIST. NO.	STATE	PROJ. NO.	FISCAL YEAR	SHEET NO.	TOTAL SHEETS
HAWAII	HAW.	HWY-0-04-07M	2007	34	57

Work Zone Note:

- All existing regulatory speed limit signs within the work zone/project limits shall be covered and work zone speed limit sign assemblies (R2-1(45)-A and R2-5b(45)-A with "CONSTRUCTION AREA" and "\$250 FINE HRS 291C-104" Supplemental Signs) shall be displayed during lane closure hours.
- Upon removal of the lane closure, all work zone speed limit signs shall be covered and existing speed limit signs within the work zone/project limits shall be restored.
- Construction signs shall be installed on both the approaching and trailing ends of each work zone.
- Each construction sign and work zone speed limit assembly shall have a minimum of two (2) Type II OM. Installation of each Type II OM shall be considered incidental to Item No. 645.1000-Traffic Control.
- All work zone speed sign assembly shall be mounted on three (3) 4.00 lbs./ft. galvanized flanged channel sign posts with a sign clearance height of five (5) feet. Sign stiffeners as specified by Standard Plan Sheet TE-02 shall be installed as needed or as directed by the Engineer.
- The daily covering and uncovering of existing regulatory speed limit signs along with the installation; maintenance, removal and daily covering and uncovering of work zone speed limit sign assemblies shall be considered incidental to Item No. 645.1000-Traffic Control.
- All work zone signs shall have the project number and Contractor's name on the back of the sign in 1/2" high letters, black paint.
- All traffic cones, delineators, and barrels, etc. shall have retroreflective bands.
- All cones shall be retroreflective as required by MUTCD and be a min. of 28" high  $\phi$  weigh a minimum 10 pounds.

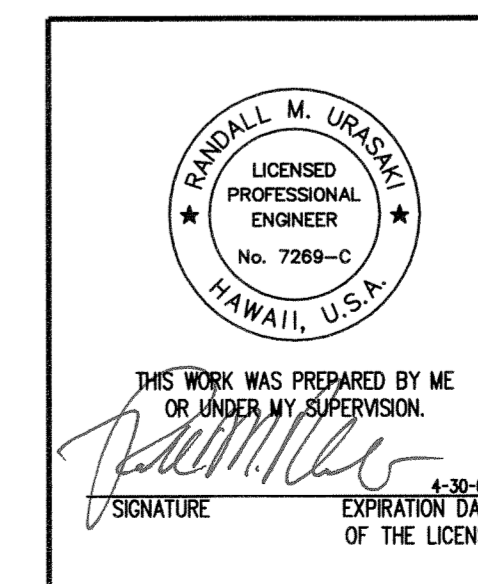


TYPICAL DETAIL FOR CONSTRUCTION SIGNS ON HIGH SPEED HIGHWAY



DATE	_____
SURVEY PLOTTED BY	_____
ORIGINAL PLAN	_____
DRAWN BY	_____
NOTE BOOK	_____
QUANTITIES BY	_____
CHECKED BY	_____
No.	_____

J:\SSWMP - PSE2.10 SITES\TCF\TCP-NOTES2.dgn



STATE OF HAWAII  
DEPARTMENT OF TRANSPORTATION  
HIGHWAYS DIVISION

**HIGH SPEED DIVIDED HIGHWAY**  
**WORK ZONE SIGNING PLAN, NOTES&DETAILS**

SLOPE MAINTENANCE FOR EROSION CONTROL  
AT VARIOUS SITES ON OAHU, PHASE 2  
Project No. HWY-0-04-07M

Scale: None Date: April 2007