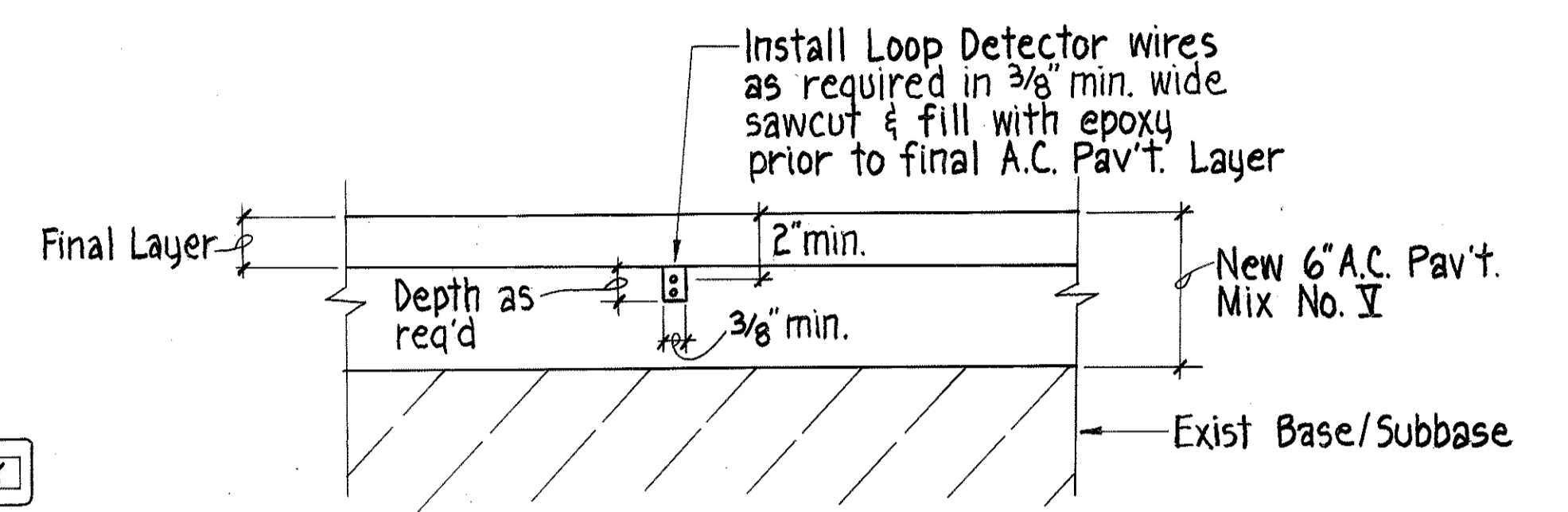
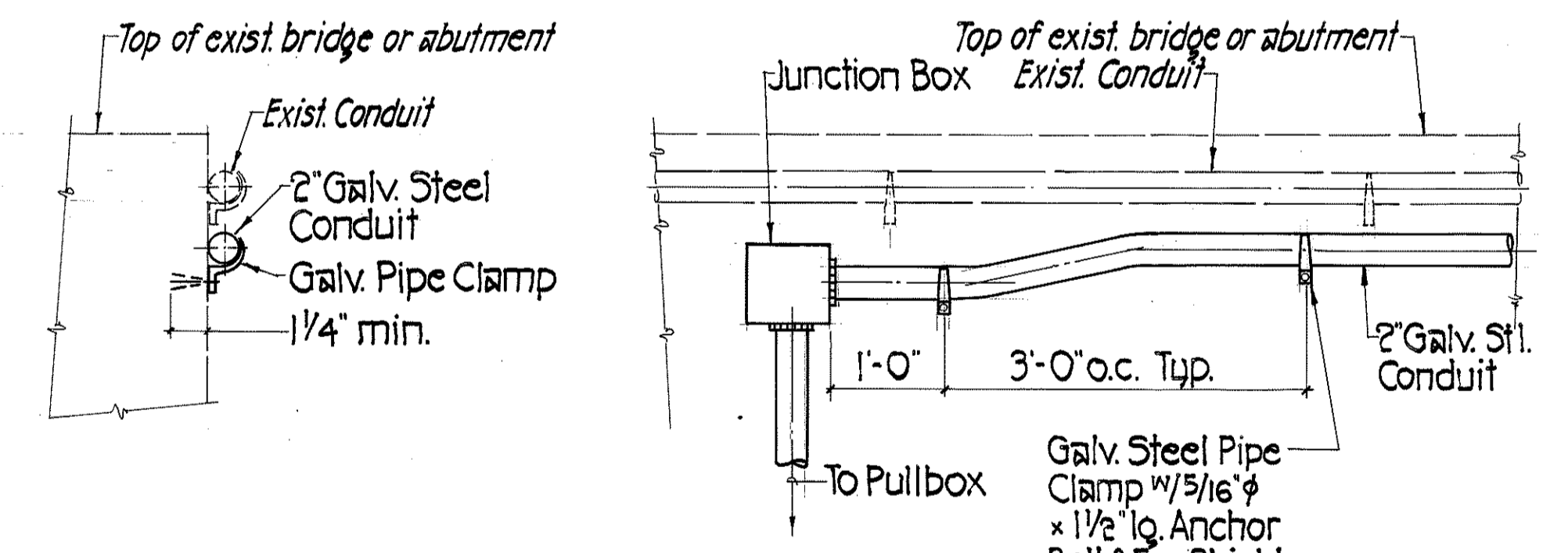


FED. ROAD DIST. NO.	STATE	FED. AID PROJ. NO.	FISCAL YEAR	SHEET NO.	TOTAL SHEETS
HAWAII	HAW.	HES-300(25)	1986	6	17

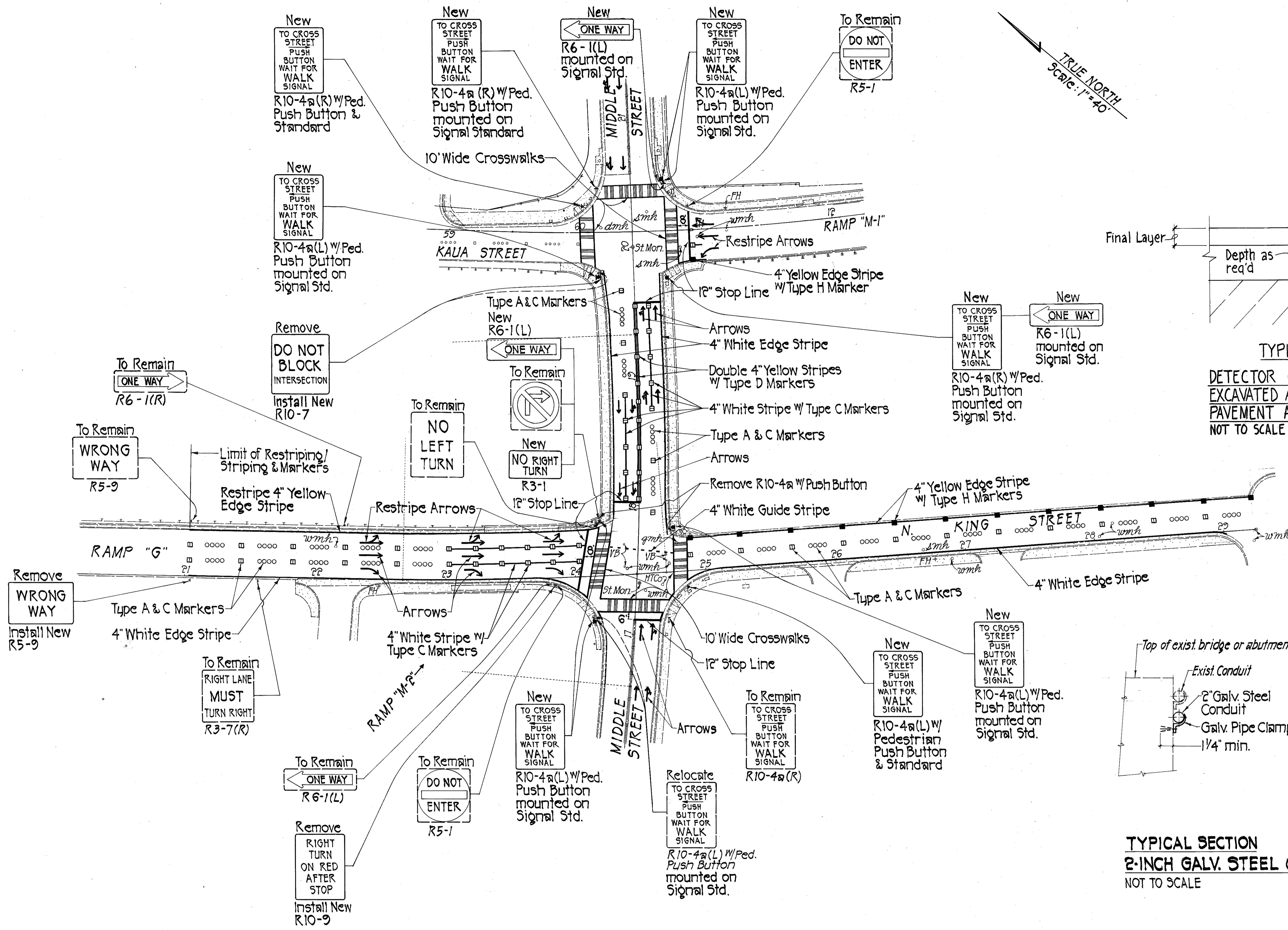
TRUE NORTH
Scale: 1"=40'



TYPICAL SECTION
DETECTOR LOOP INSTALLATION FOR
EXCAVATED AND RECONSTRUCTED
PAVEMENT AREAS
NOT TO SCALE



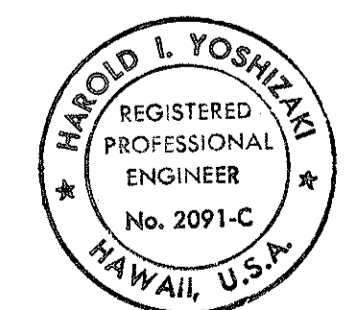
TYPICAL SECTION
PARTIAL ELEVATION
2-INCH GALV. STEEL CONDUIT ATTACH. TO MIDDLE ST. BRIDGE
NOT TO SCALE



PLAN
Scale: 1"=40'

NOTE FOR STATE USE ONLY
Ramp "G" Sta. 20+95 ± to Sta. 23+12 ± and North
King Street Sta. 25+00 to Sta. 29+22 ± are
Federal Aid Non-Participating Areas for Signing,
Striping and Marking Funds.

SURVEY PLOTTED BY	DATE
DRAWN BY	
TRACED BY	
QUANTITIES BY	
CHECKED BY	
ORIGINAL PLAN	
NOTE BOOK	



THIS WORK WAS PREPARED BY
ME OR UNDER MY SUPERVISION.
Harold I. Yoshizaki

STATE OF HAWAII
DEPARTMENT OF TRANSPORTATION
HIGHWAYS DIVISION

PLAN - SIGNING, STRIPING & MARKINGS

MIDDLE STREET TRAFFIC SIGNAL IMPROVEMENTS
AT KAUA STREET AND NORTH KING STREET
FEDERAL AID PROJECT NO. HES-300(25)

SCALE: 1"=40' DATE: AUG. 30, 1985
SHEET NO. 1 OF 1 SHEETS