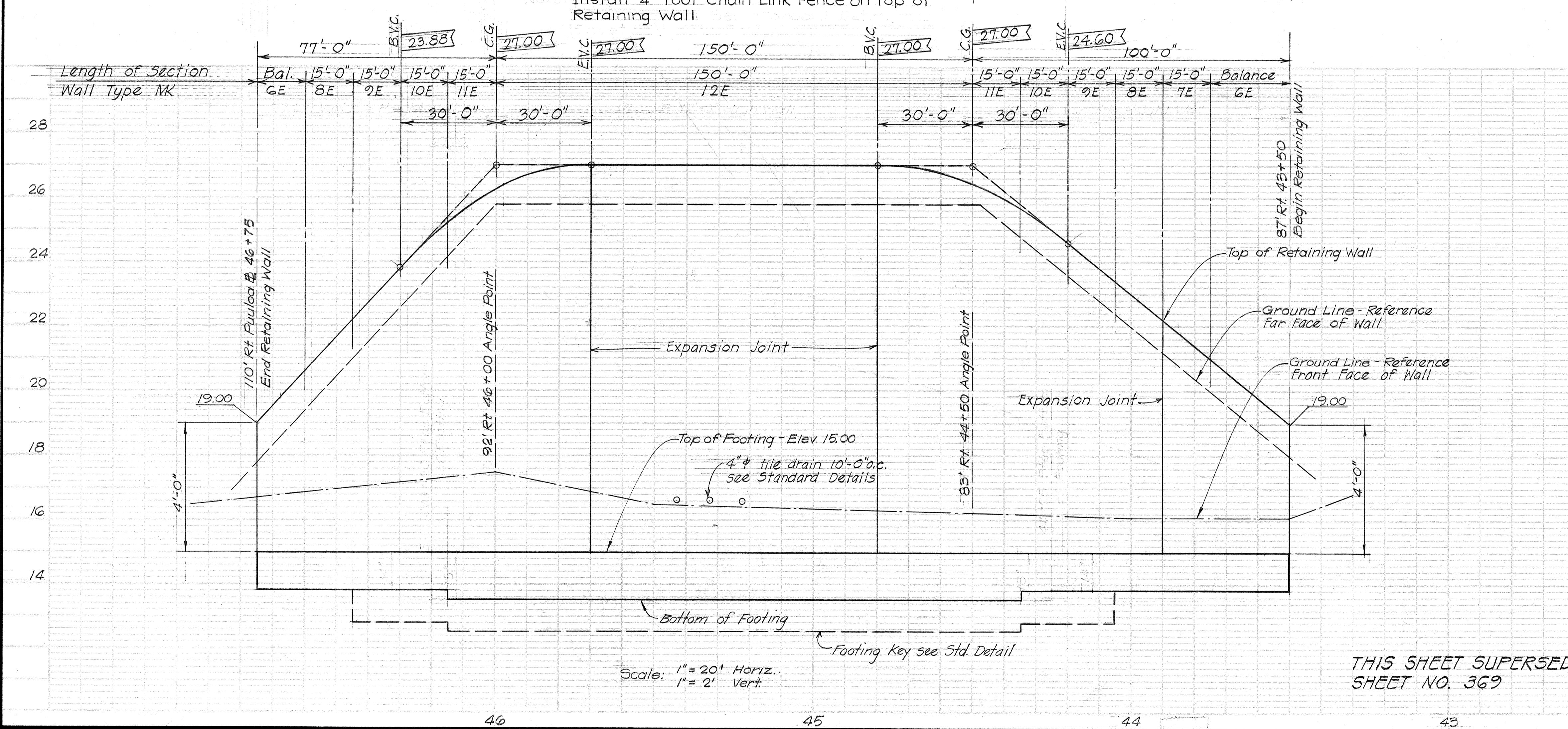
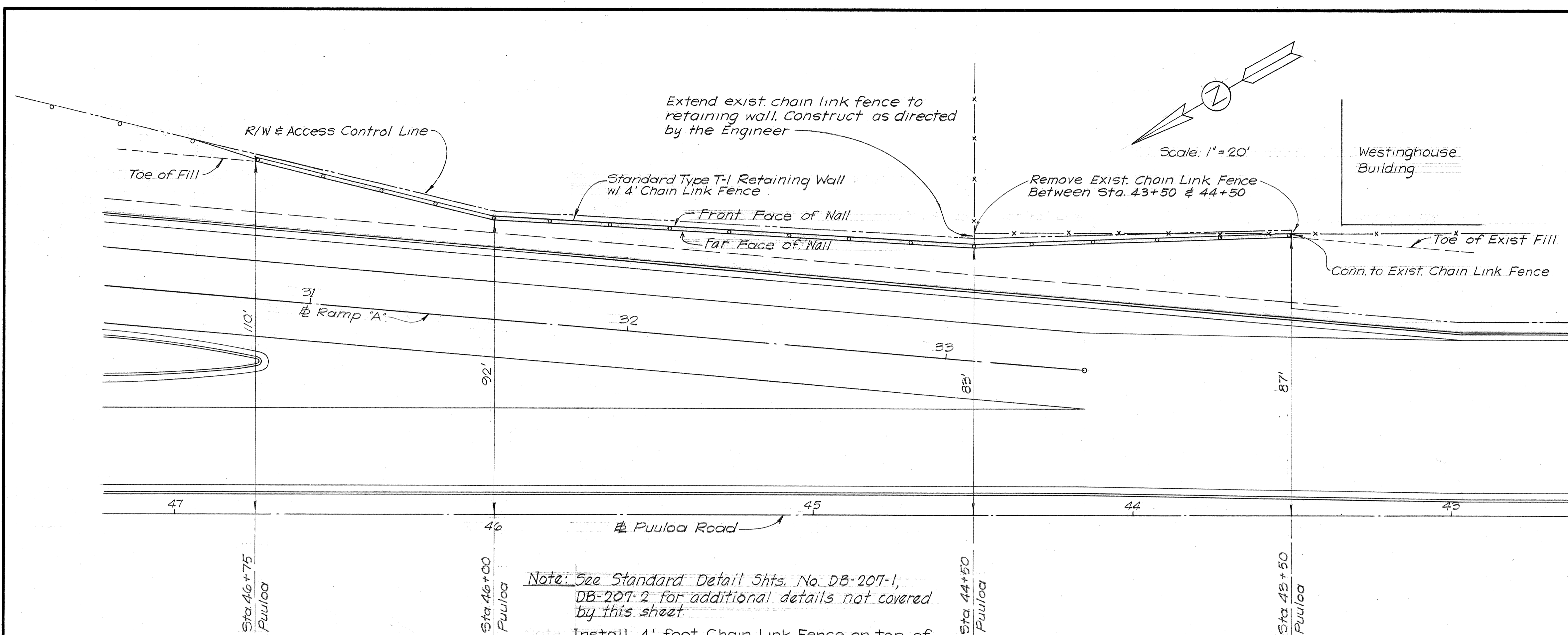


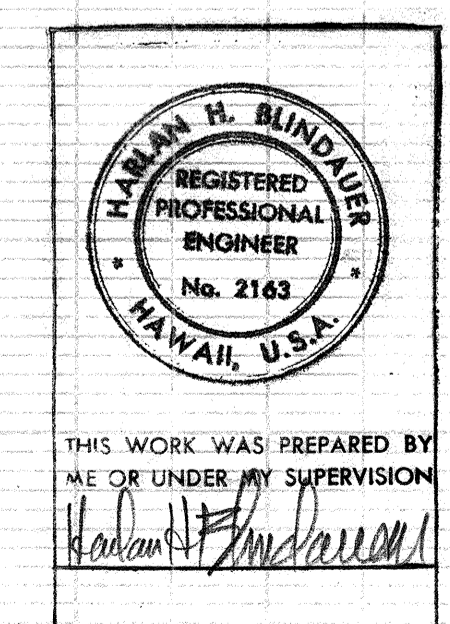
FED. ROAD DIST. NO.	STATE	FED. AID PROJ. NO.	FISCAL YEAR	SHEET NO.	TOTAL SHEETS
HAWAII	HAW.	F-078-1(10)	1971	ADD. 369	418

Revised - June 21, 1971



Scale: 1" = 20' Horiz.
1" = 2' Vert.

THIS SHEET SUPERSEDES SHEET NO. 369



STATE OF HAWAII
DEPARTMENT OF TRANSPORTATION
HIGHWAYS DIVISION

RETAINING WALL NO. 1
PLAN AND PROFILE
F. A. Proj. No. F-078-1(10)

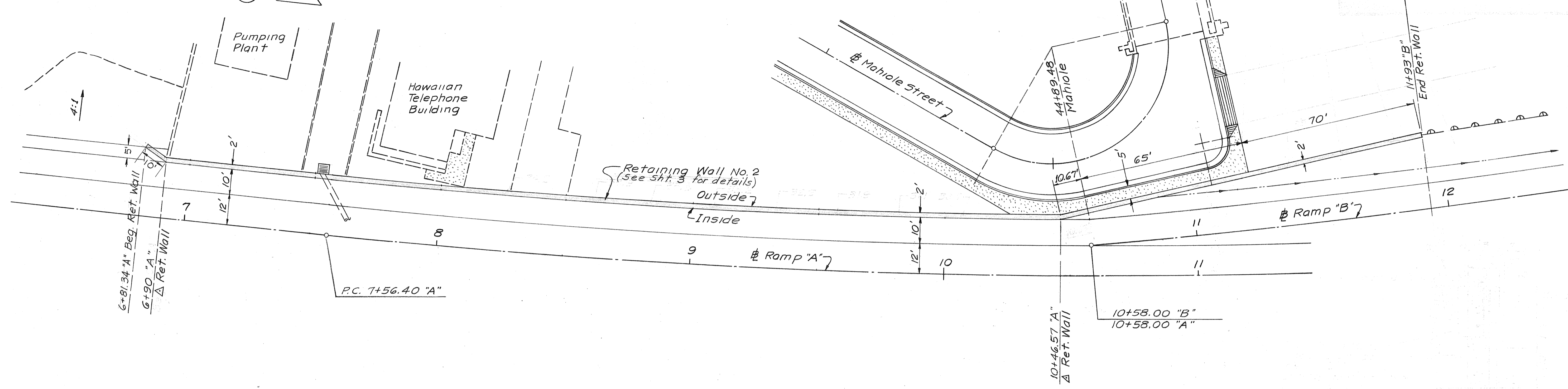
Scale: As Noted Date: JAN 1971

SHEET No. 1 OF 4 SHEETS

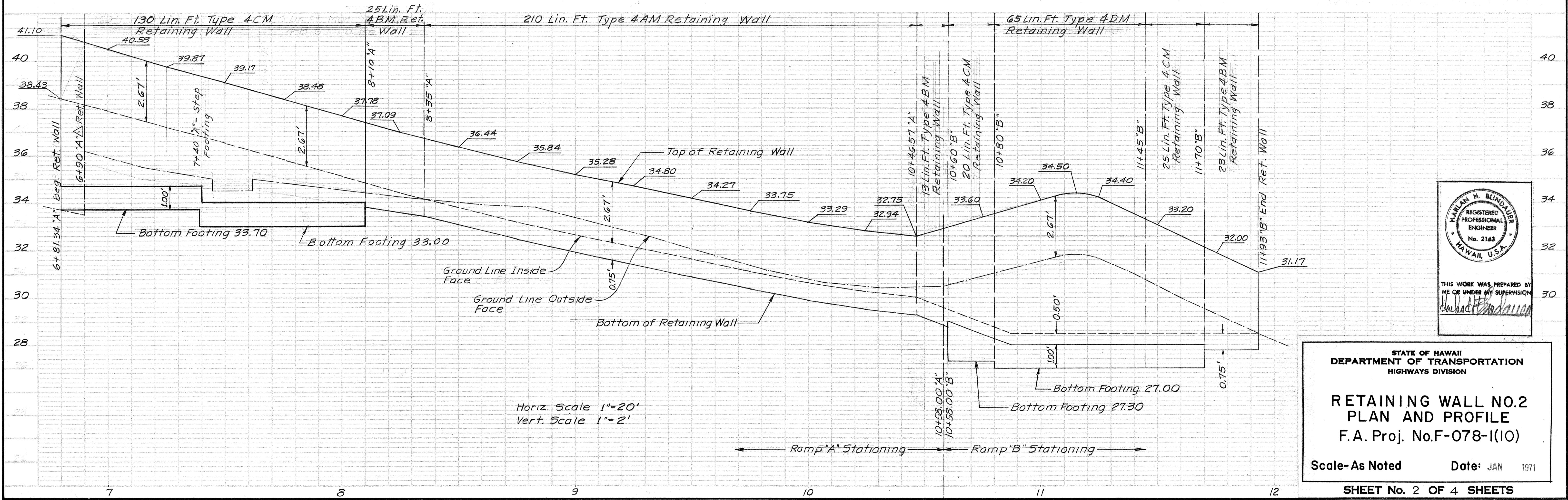
ADD. 369

FED. ROAD DIST. NO.	STATE	FED. AID PROJ. NO.	FISCAL YEAR	SHEET NO.	TOTAL SHEETS
HAWAII	HAW.	F-078-1(10)	1971	370	418

Scale 1"=20'



Note: Install 4-foot Chain Link Fence on top of Retaining Wall (See detail in Retaining Wall Section, Sheet 3). Slope bottom of Fence to 6-ft. height in 10' at beginning of Wall.



Horiz. Scale 1"=20'
Vert. Scale 1"=2'



THIS WORK WAS PREPARED BY ME OR UNDER MY SUPERVISION

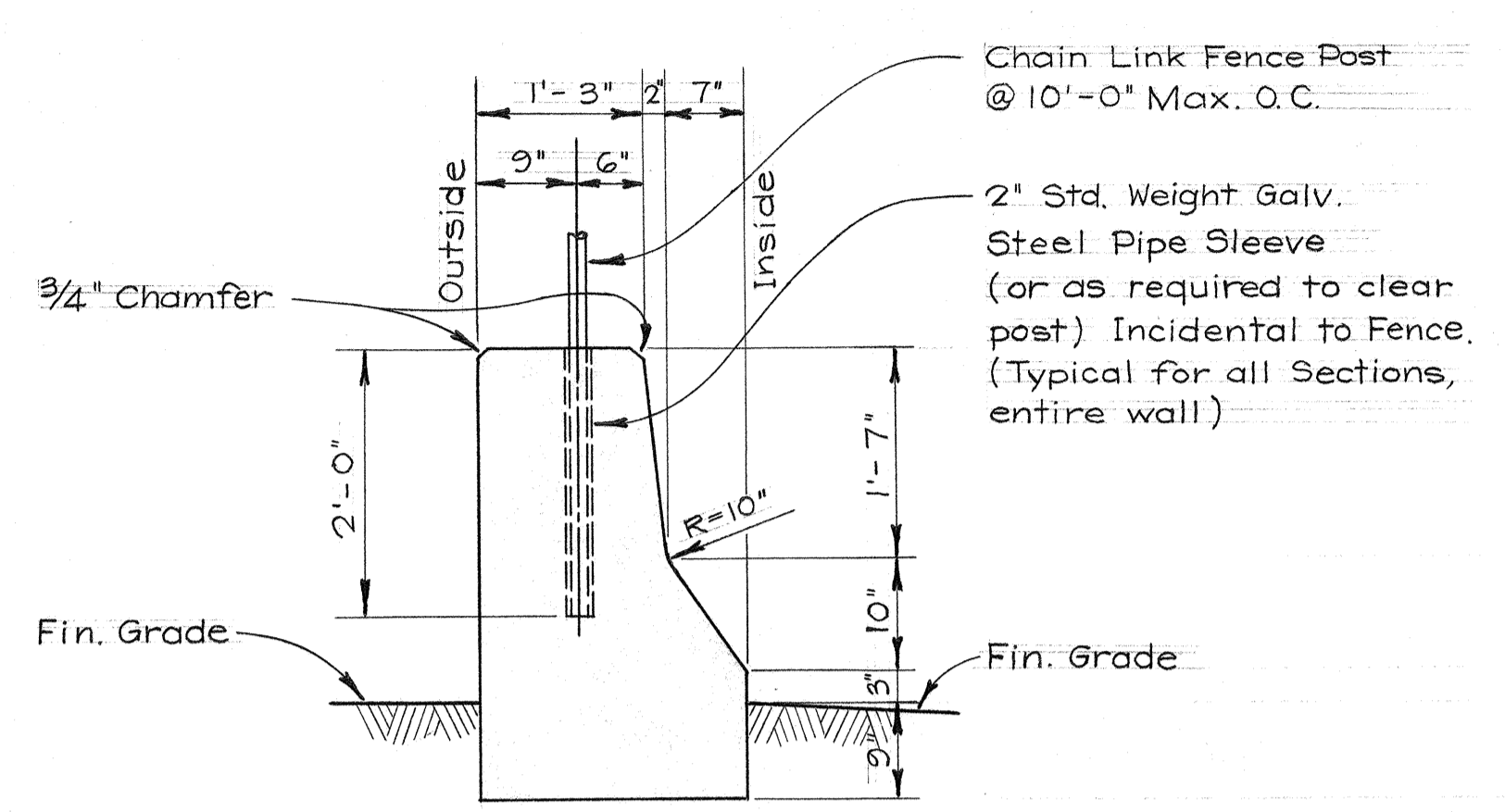
STATE OF HAWAII
DEPARTMENT OF TRANSPORTATION
HIGHWAYS DIVISION

**RETAINING WALL NO. 2
PLAN AND PROFILE**
F.A. Proj. No. F-078-1(10)

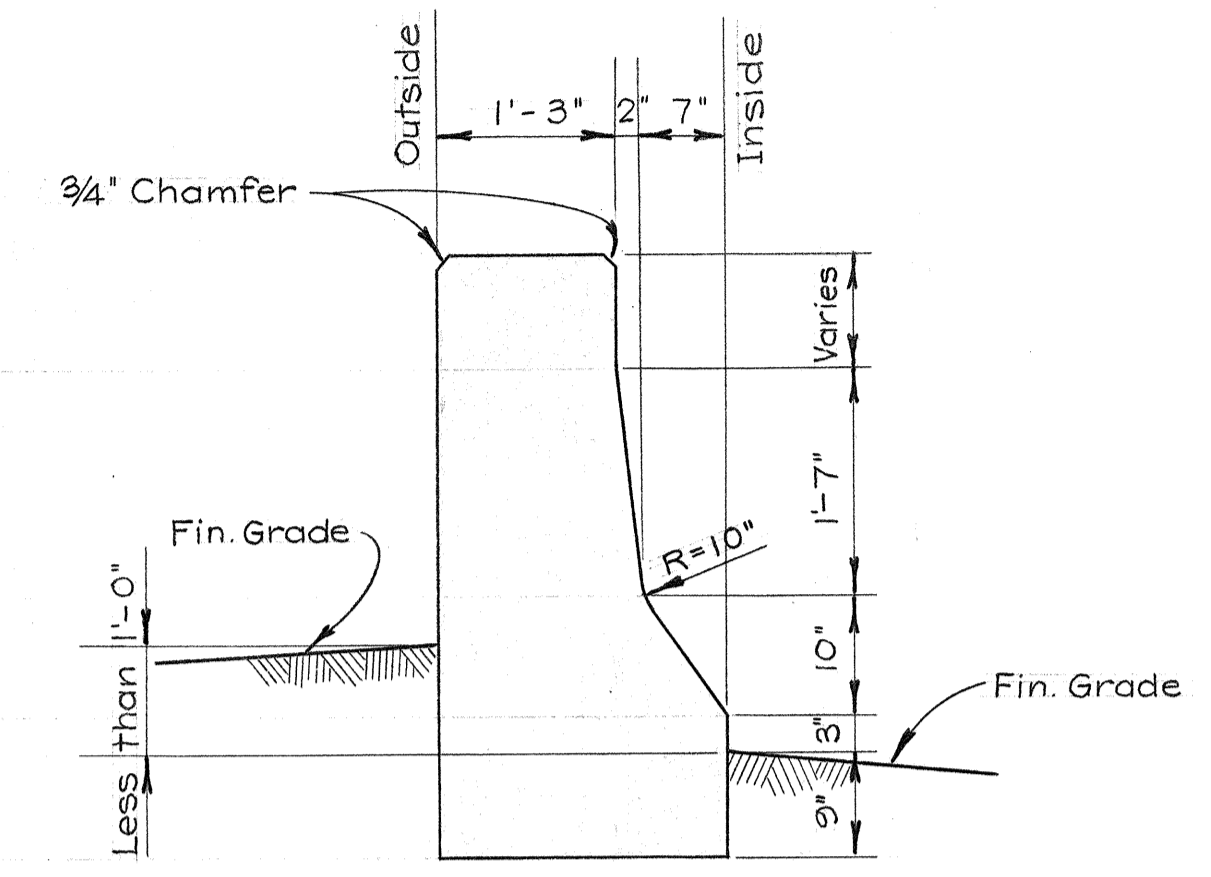
Scale-As Noted Date: JAN 1971

SHEET No. 2 OF 4 SHEETS

FED. ROAD DIST. NO.	STATE	FED. AID PROJ. NO.	FISCAL YEAR	SHEET NO.	TOTAL SHEETS
HAWAII	HAW.	F-078-1(10)	1971	371	418



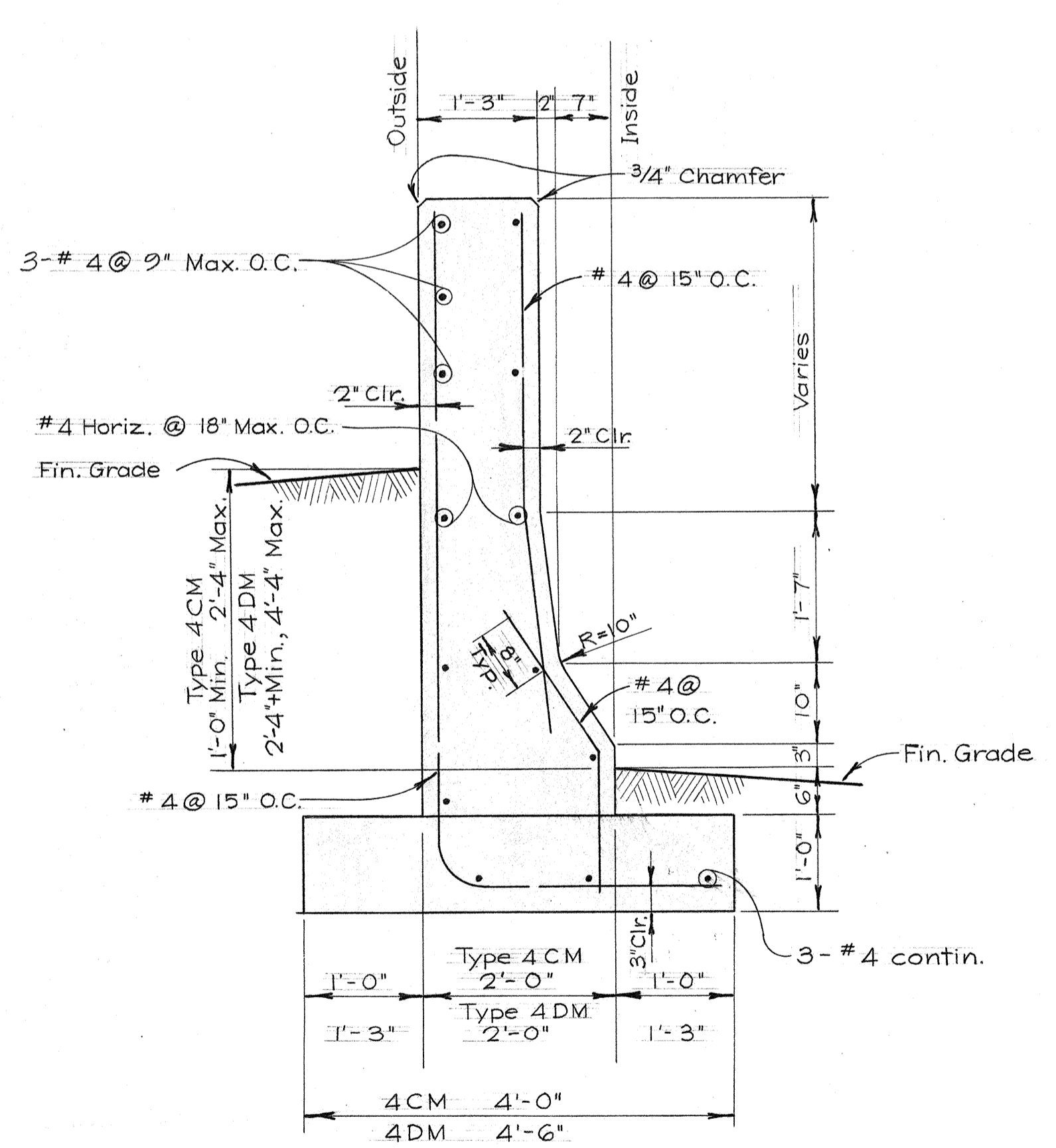
TYPE 4 AM
Scale: 3/4" = 1'-0"



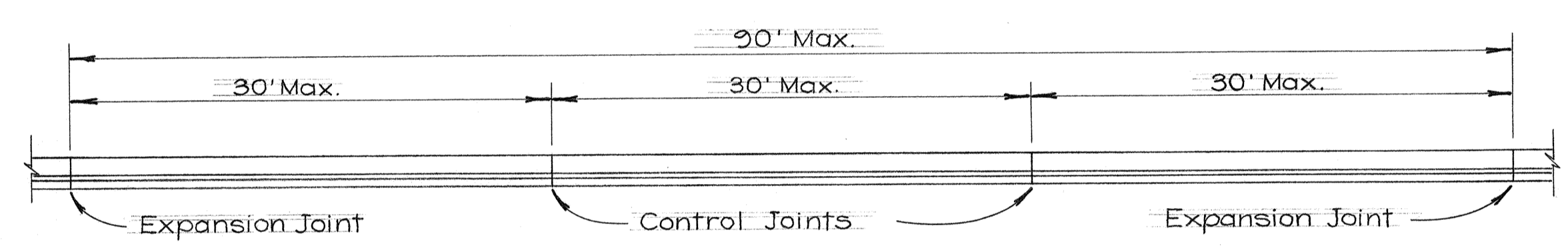
TYPE 4 BM
Scale: 3/4" = 1'-0"

GENERAL NOTES

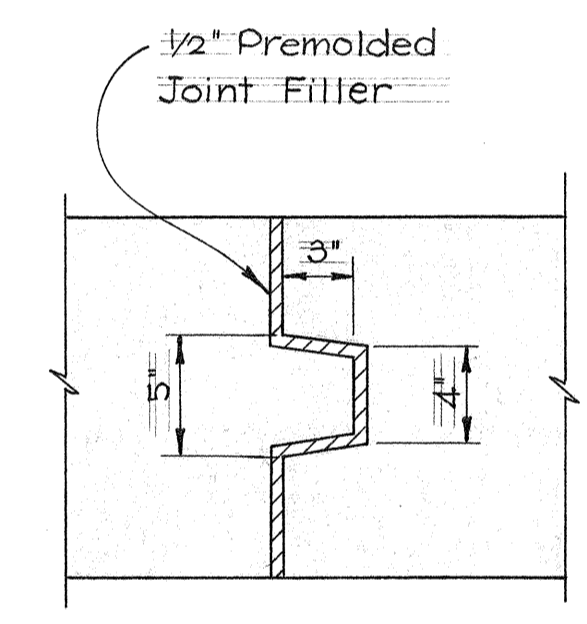
1. Concrete shall be Class "A". Precast units may be installed as an option to cast-in-place wall. Contractor shall submit shop drawings to Engineer for approval.
2. Expansion and Control Joints shall be constructed as shown below. Shear keys shall be required at all construction joints.
3. The surface finish and horizontal & vertical alignment of the retaining wall shall be constructed to present a uniform appearance. Variation of more than 1/4" in 20 feet will be considered unacceptable.



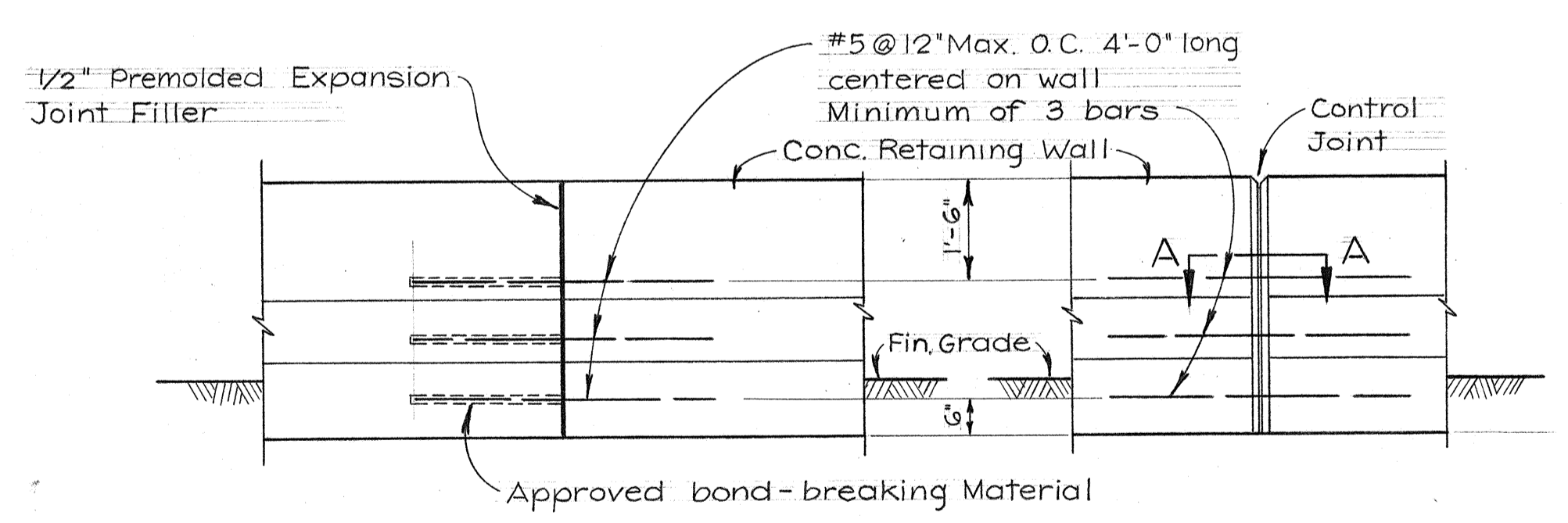
TYPE 4 CM & 4 DM
Scale: 3/4" = 1'-0"



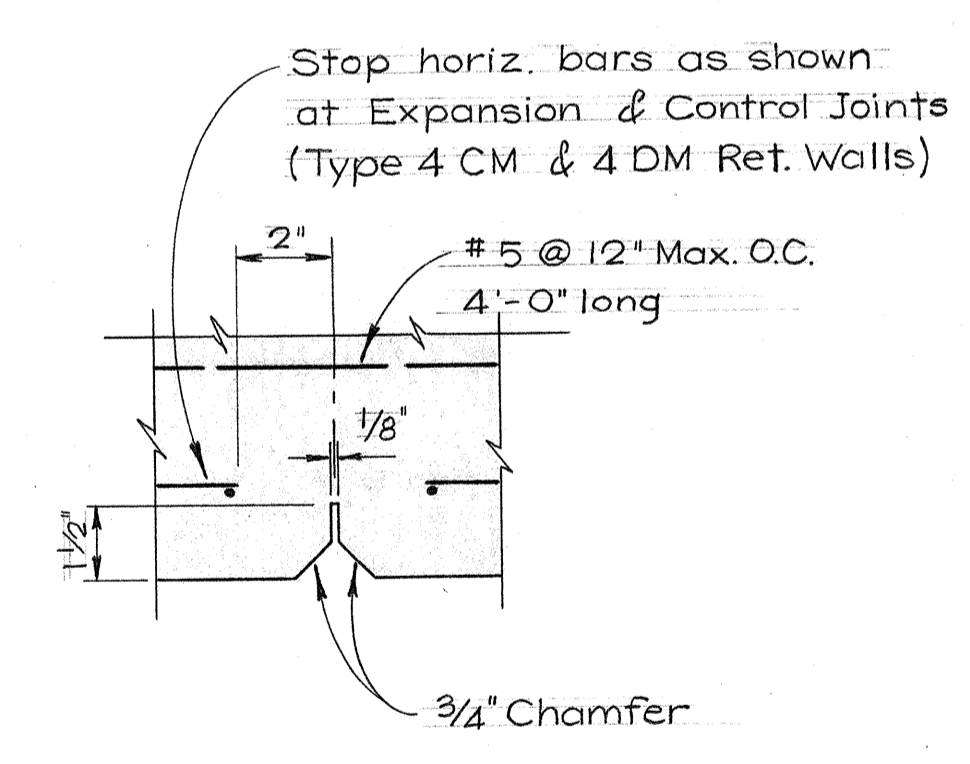
PLAN
Scale: 1/8" = 1'-0"



SECTION THROUGH EXPANSION JOINT KEY
No Scale



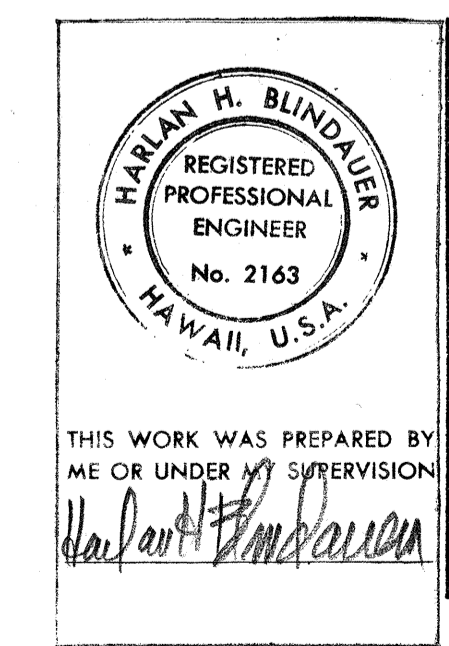
EXPANSION JOINT
Scale: 1/2" = 1'-0"



CONTROL JOINT
Scale: 1/2" = 1'-0"

SECTION A-A
No Scale

SURVEY PLOTTED BY	DATE
DRAWN BY	
TRACED BY	
QUANTITIES BY	
CHECKED BY	
NO.	



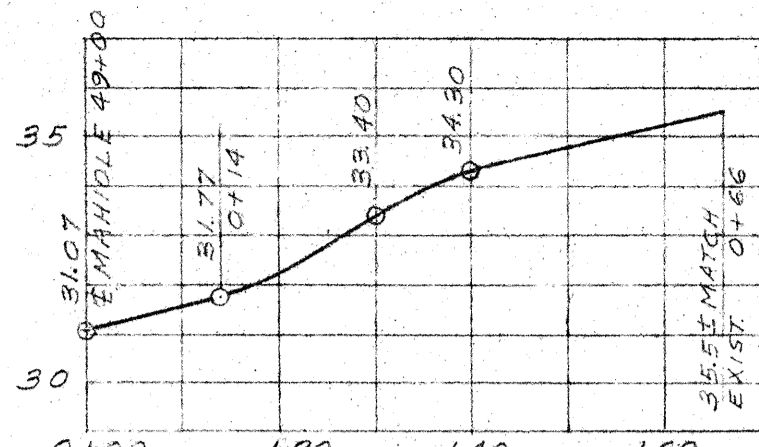
STATE OF HAWAII
DEPARTMENT OF TRANSPORTATION
HIGHWAYS DIVISION

**RETAINING WALL NO.2
SECTIONS & DETAILS**
F.A. Proj. No.F-078-1(10)

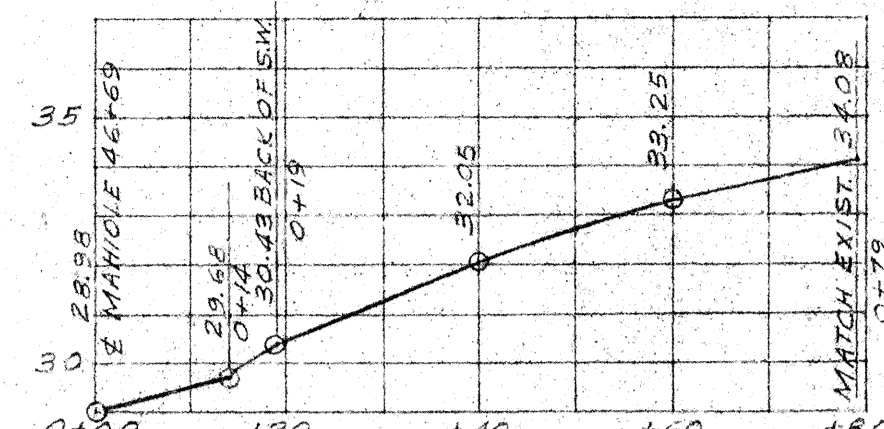
Scale-As Noted Date: JAN 1971

SHEET No. 3 OF 4 SHEETS

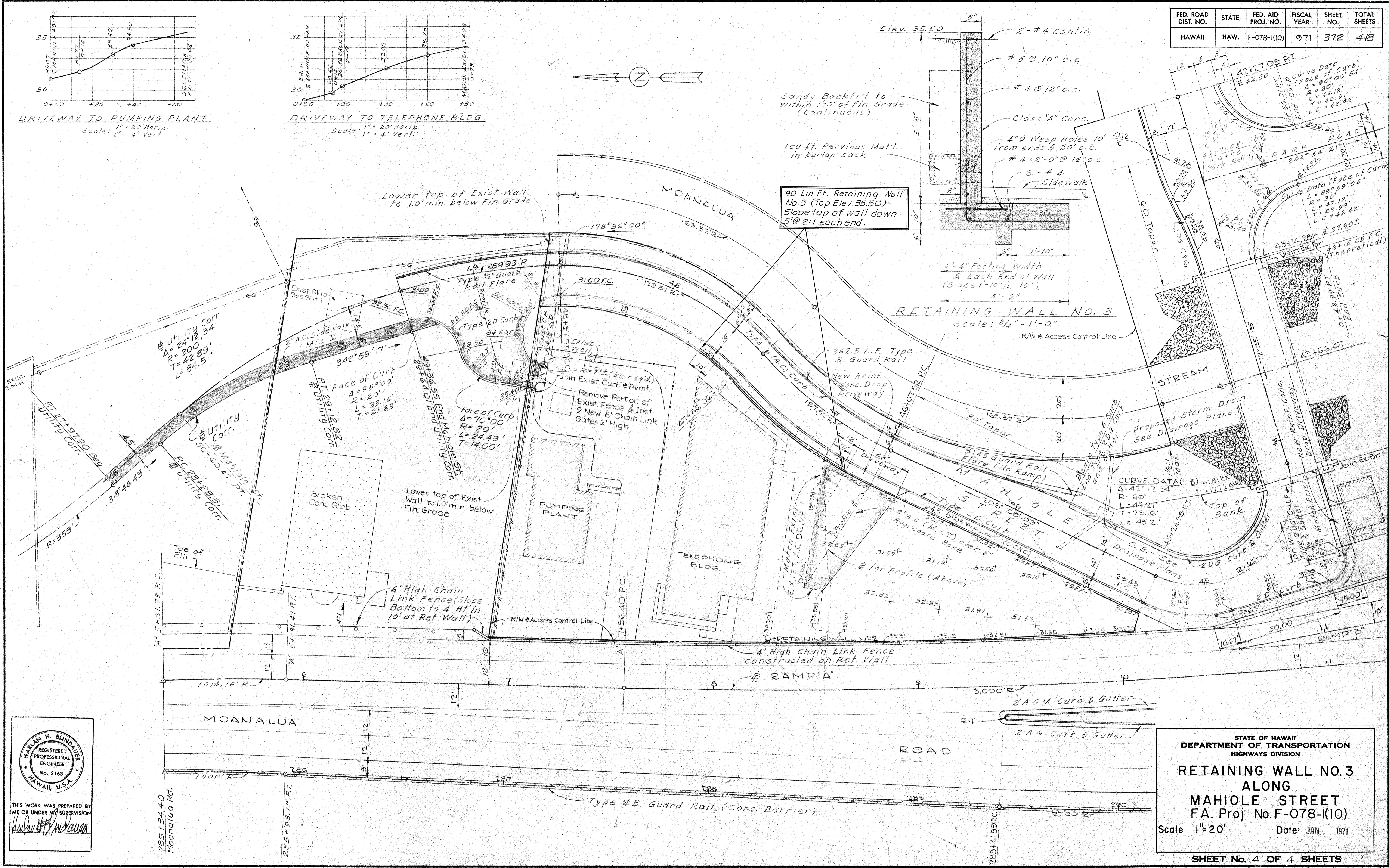
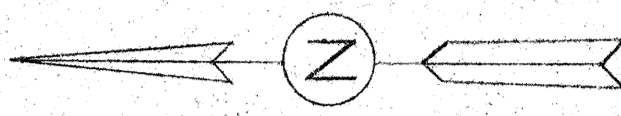
FED. ROAD DIST. NO.	STATE	FED. AID PROJ. NO.	FISCAL YEAR	SHEET NO.	TOTAL SHEETS
HAWAII	HAW.	F-078-I(10)	1971	372	418



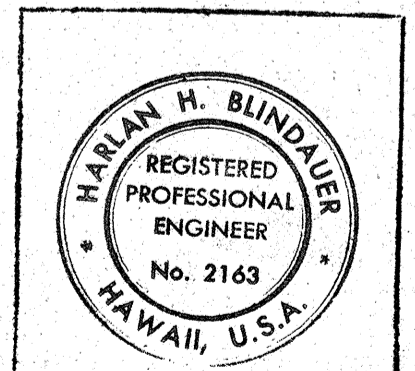
DRIVEWAY TO PUMPING PLANT
 1" = 20' Horiz.
 Scale: 1" = 4' Vert.



DRIVEWAY TO TELEPHONE BLDG.
 1" = 20' Horiz.
 Scale: 1" = 4' Vert.



DATE
SURVEY PLOTTED BY
DESIGNED BY
NOTE BOOK
QUANTITIES BY
CHECKED BY



THIS WORK WAS PREPARED BY ME OR UNDER MY SUPERVISION
 Hailan H. Blindler

STATE OF HAWAII
 DEPARTMENT OF TRANSPORTATION
 HIGHWAYS DIVISION
RETAINING WALL NO. 3
 ALONG
MAHIOLE STREET
 F.A. Proj. No. F-078-I(10)
 Scale: 1" = 20' Date: JAN 1971

SHEET No. 4 OF 4 SHEETS