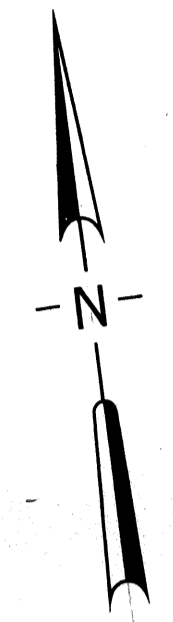
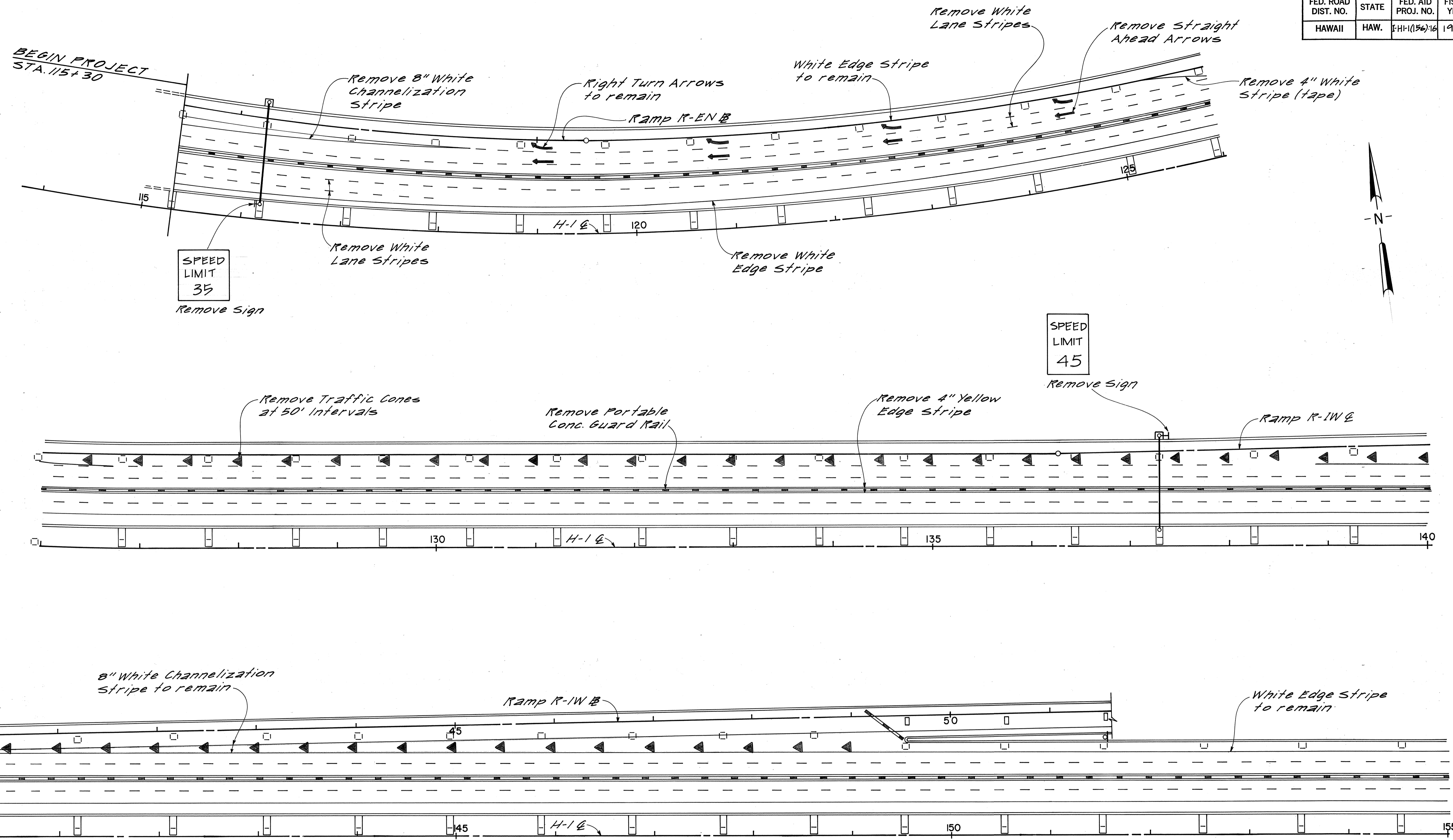
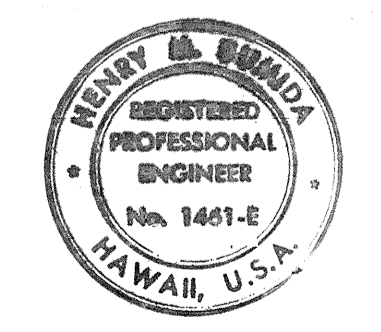


FED. ROAD DIST. NO.	STATE	FED. AID PROJ. NO.	FISCAL YEAR	SHEET NO.	TOTAL SHEETS
HAWAII	HAW.	I-HI-1(156)-16	1979	29	236



ORIGINAL PLAN	DATE
SURVEY PLOTTED BY	
DESIGNED BY	
QUANTITIES BY	
CHECKED BY	



THIS WORK WAS PREPARED BY ME OR UNDER MY SUPERVISION  
*Henry G. Branda*

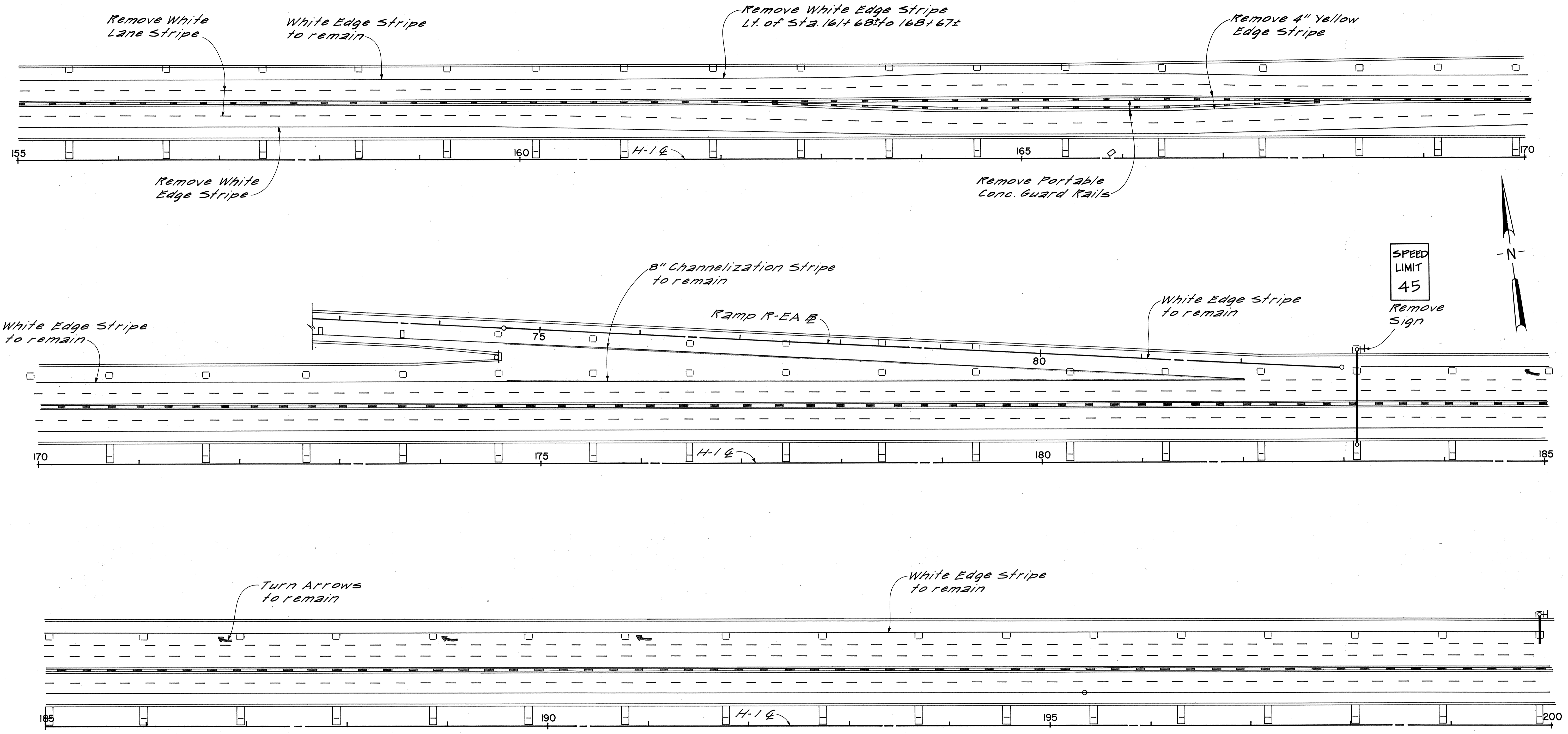
STATE OF HAWAII  
 DEPARTMENT OF TRANSPORTATION  
 LAND TRANSPORTATION FACILITIES DIVISION

**SIGNING & STRIPING  
 EXISTING CONDITIONS  
 MALUKA VIADUCT**

AIRPORT INTERCHANGE  
 F.A.I. PROJ. NO. I-HI-1(156)-16

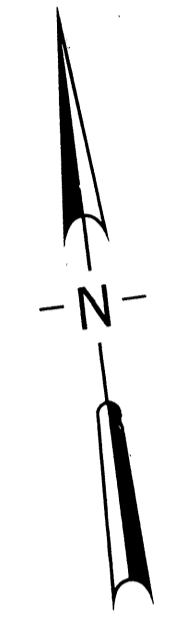
SCALE: 1" = 50'      DATE: OCT. 1978  
 SHEET No. 55-1 OF 11 SHEETS

FED. ROAD DIST. NO.	STATE	FED. AID PROJ. NO.	FISCAL YEAR	SHEET NO.	TOTAL SHEETS
HAWAII	HAW.	FHH(196)16	1979	30	236

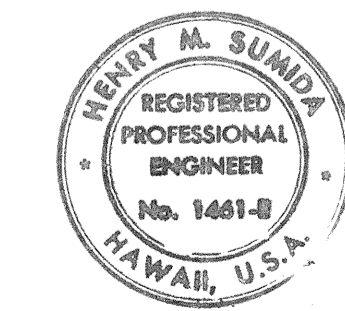
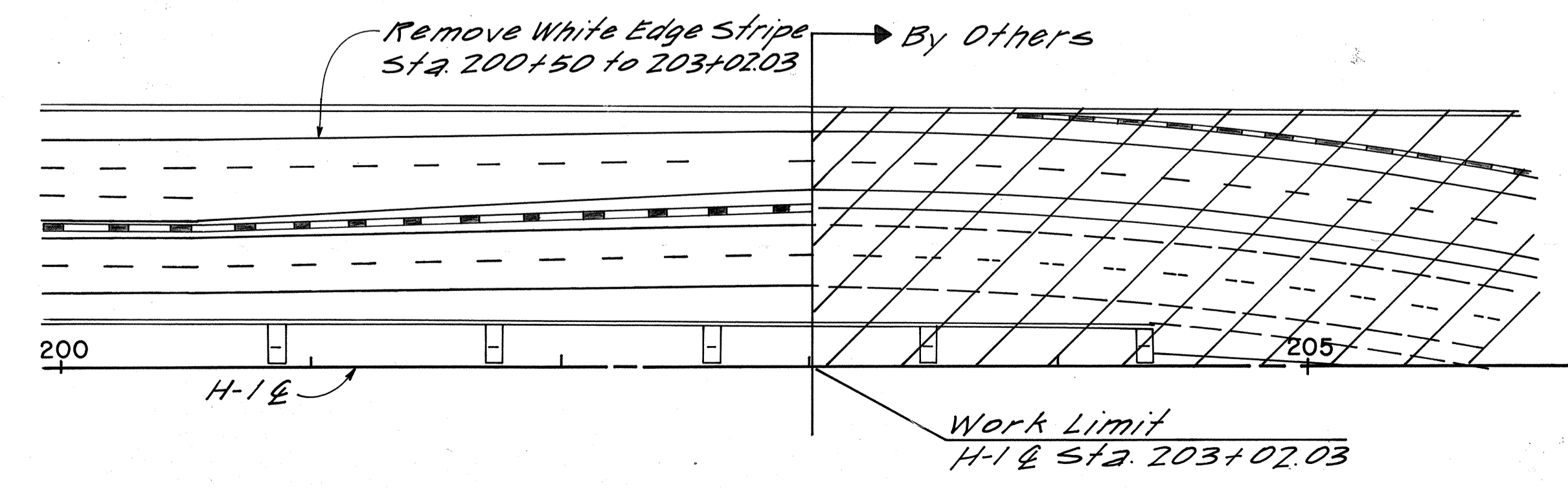


SPEED LIMIT 45

Remove Sign



SURVEY PLOTTED BY	DATE
DRAWN BY	
DESIGNED BY	
NOTED BY	
QUANTITIES BY	
CHECKED BY	
ORIGINAL PLAN No.	



THIS WORK WAS PREPARED BY ME OR UNDER MY SUPERVISION.  
*Henry M. Sumida*

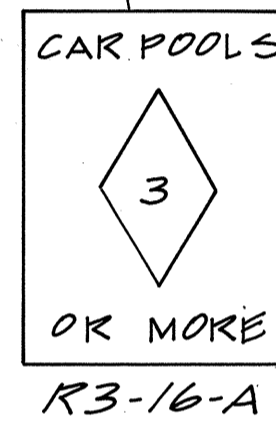
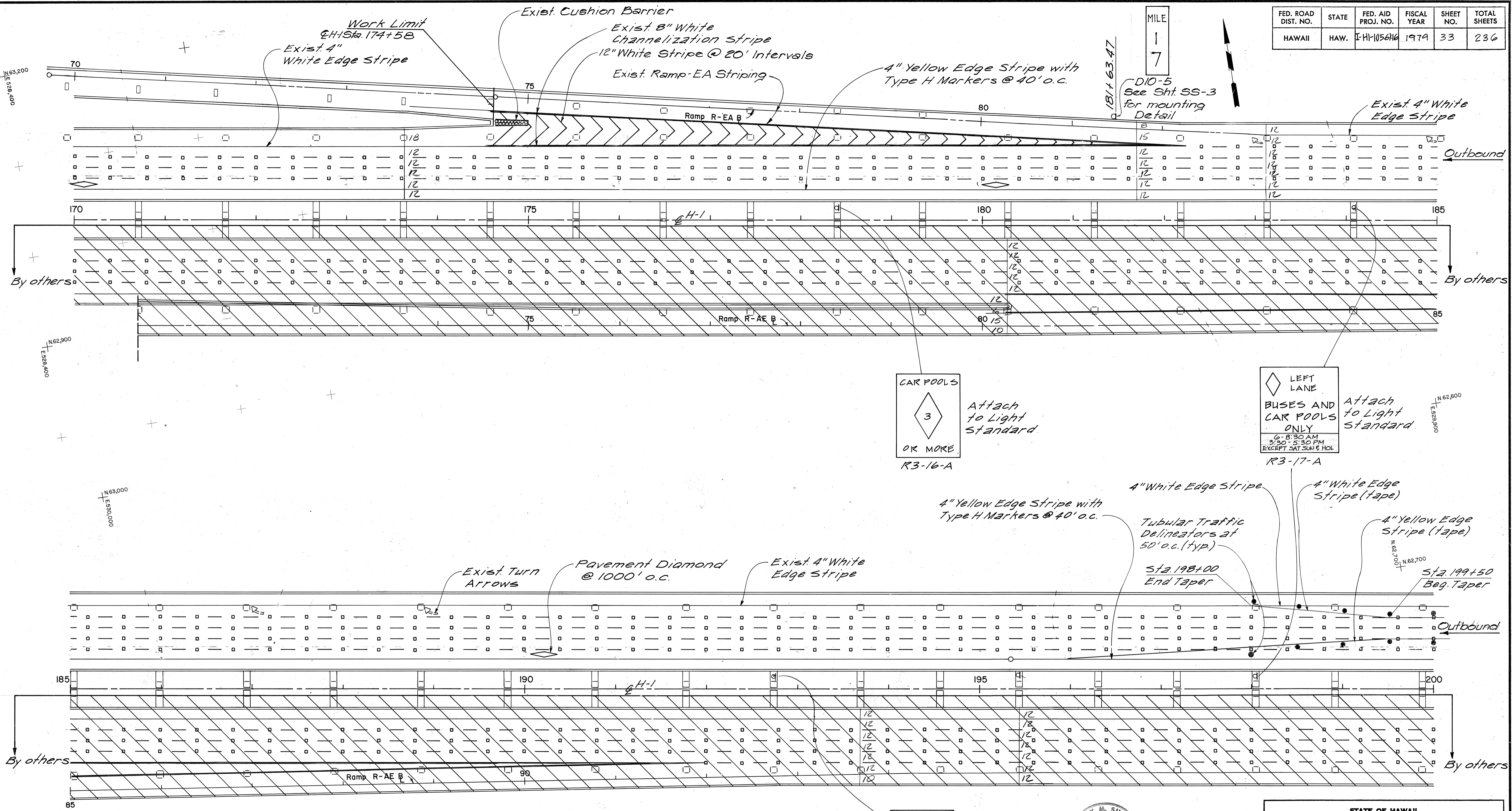
STATE OF HAWAII  
 DEPARTMENT OF TRANSPORTATION  
 LAND TRANSPORTATION FACILITIES DIVISION  
**SIGNING & STRIPING**  
 EXISTING CONDITIONS  
 MAUKA VIADUCT  
 AIRPORT INTERCHANGE  
 P.A.I. PROJ. NO. I-HI-1(196)16  
 SCALE: 1"=50' DATE: OCT. 1978  
 SHEET No. 352 OF 11 SHEETS





FED. ROAD DIST. NO.	STATE	FED. AID PROJ. NO.	FISCAL YEAR	SHEET NO.	TOTAL SHEETS
HAWAII	HAW.	I-HI-105616	1979	33	236

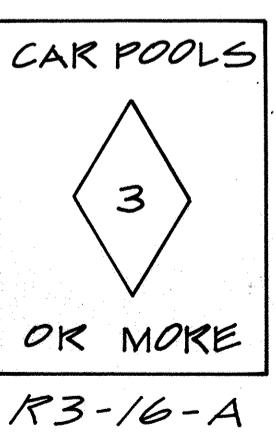
MILE  
1  
7



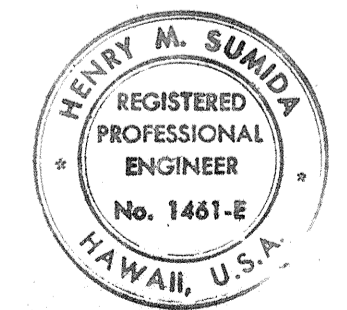
Attach to Light Standard



Attach to Light Standard



Attach to Light Standard



THIS WORK WAS PREPARED BY ME OR UNDER MY SUPERVISION  
*Henry M. Sumida*

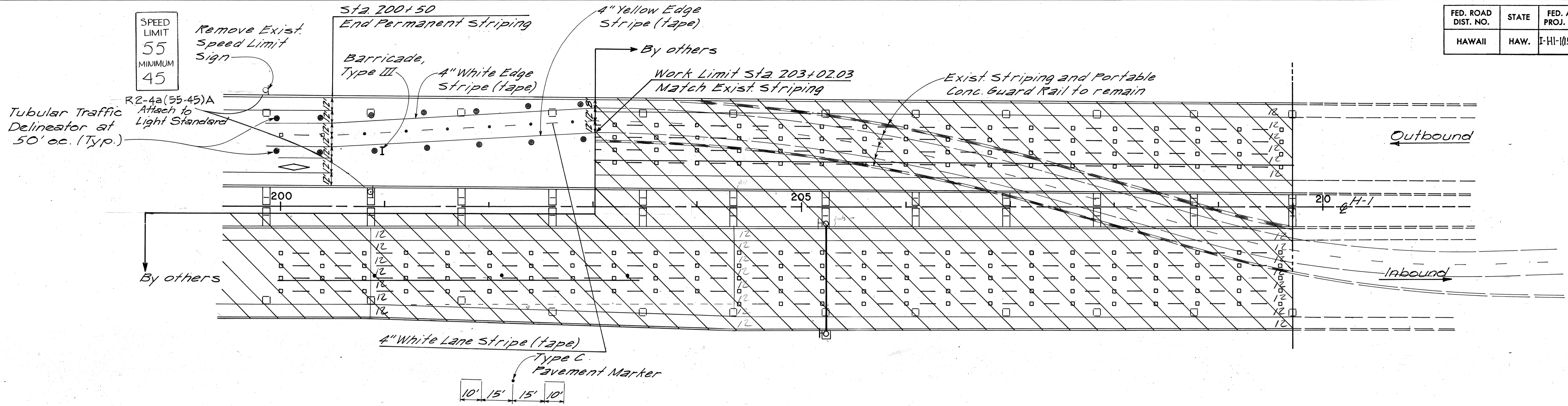
STATE OF HAWAII  
DEPARTMENT OF TRANSPORTATION  
HIGHWAYS DIVISION

**SIGNING & STRIPING**  
OUTBOUND VIADUCT  
STA. 170+00 TO 200+00  
AIRPORT INTERCHANGE  
F.A.I. PROJ. NO. I-HI-1(156):16

SCALE: 1"=50'      DATE: AUG. 9, 1977  
SHEET No. 55 OF 11 SHEETS

DESIGNED BY	DATE
DRAWN BY	
CHECKED BY	
NO. _____	

FED. ROAD DIST. NO.	STATE	FED. AID PROJ. NO.	FISCAL YEAR	SHEET NO.	TOTAL SHEETS
HAWAII	HAW.	I-HI-1(150)10	1979	34	236



SHEET NO.	RM-3		RM-9	
	W/P	WO/P	W/P	WO/P
3				
4				
5				
6				
7	1	2		1
8	2	1		
TOTAL	3	3		1

SHEET NO.	EXPRESSWAY SIGNS	DESTINATION SIGNS
3	124 Sq. Ft.	
4		
5		
6		
7		1005 Sq. Ft.
8		1005 Sq. Ft.
TOTAL	124 Sq. Ft.	201 Sq. Ft.

SHEET NO.	QUANTITY		
	TYPE A	TYPE C	TYPE H
3	1724	539	119
4	900	225	75
5	1076	269	75
6	16	14	1
7	480	165	56
8	548	216	62
TOTAL	4744	1428	388

SHEET NO.	REMOVAL ITEMS		
	STRIPING (LIN. FT.)	PAVEMENT MARKER (EACH)	ARROWS (EACH)
1	22,940	257	4
2	26,810	287	0
TOTAL	49,750	544	4

PERMANENT SIGNS NO.	DESCRIPTION	SHEET 3		SHEET 4		SHEET 5		SHEET 6		SHEET 7		SHEET 8		TOTAL	
		W/P	WO/P	W/P	WO/P	W/P	WO/P	W/P	WO/P	W/P	WO/P	W/P	WO/P	W/P	WO/P
R1-1	STOP														
R1-2	Yield							1		2				3	
R2-1(35)	Speed Limit 35									2				2	
R3-1	No Right Turn							2		2				4	
R3-2	No Left Turn														
R3-A	No U Turn							1		1				2	
R4-7	Keep Right							1						1	
R4-B	Keep Left														
R5-1	Do Not Enter							4		2				6	
R6-1(L)	One Way							2	3	3	2			5	5
R6-1(R)	One Way								3		3			6	
R7-107(L)	Bus Stop							4		1				5	
R7-107(R)	Bus Stop							4		1				5	
R7-1	On Left Arrow Only										1			1	
D11-1C	Bikeway							1		1	1	2		1	
D11-5(R)	→								1					1	
D11-7	↑										2			2	
TOTALS (10 sq. ft. or less)								20	7	15	9	35	16		
R2-4a(55-45)A	Speed Limit 55 Min. 45	4					2							6	
R3-16-A	Car Pools 3 or More	5		2		2								9	
R3-17-A	Buses & Car Pools Only	4		3		2								9	
TOTALS (Greater than 10 sq. ft.)		13		5		4		2						24	
D10-5	Mile Post	2												3	

SHEET NO.	STRIPING LIN. FT.	DIAMONDS EACH	DELINEATORS EACH	ARROWS EACH	CROSSWALKS LANES	TYPE III BARRICADES EACH
3	11,692	4	23	13		5
4	4,447	3				
5	4,100	3	8			
6	1,406	1	14			1
7	6,749			11	4	5
8	9,131			32	1	23
TOTAL	37,525	11	45	56	28	6

NOTE: See Sheets 217 - 224 for Additional Signing & Striping Quantities.

△ 11-18-80	changed quantities.
No.	DATE
	REVISION

HENRY M. GUNDA  
REGISTERED PROFESSIONAL ENGINEER  
No. 1461-E  
HAWAII, U.S.A.

THIS WORK WAS PREPARED BY ME OR UNDER MY SUPERVISION.  
*Henry M. Gunda*

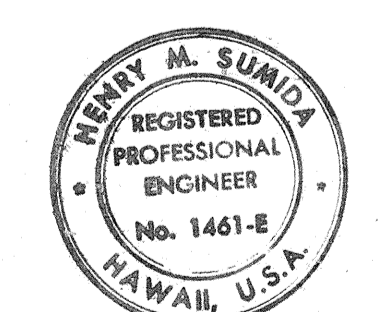
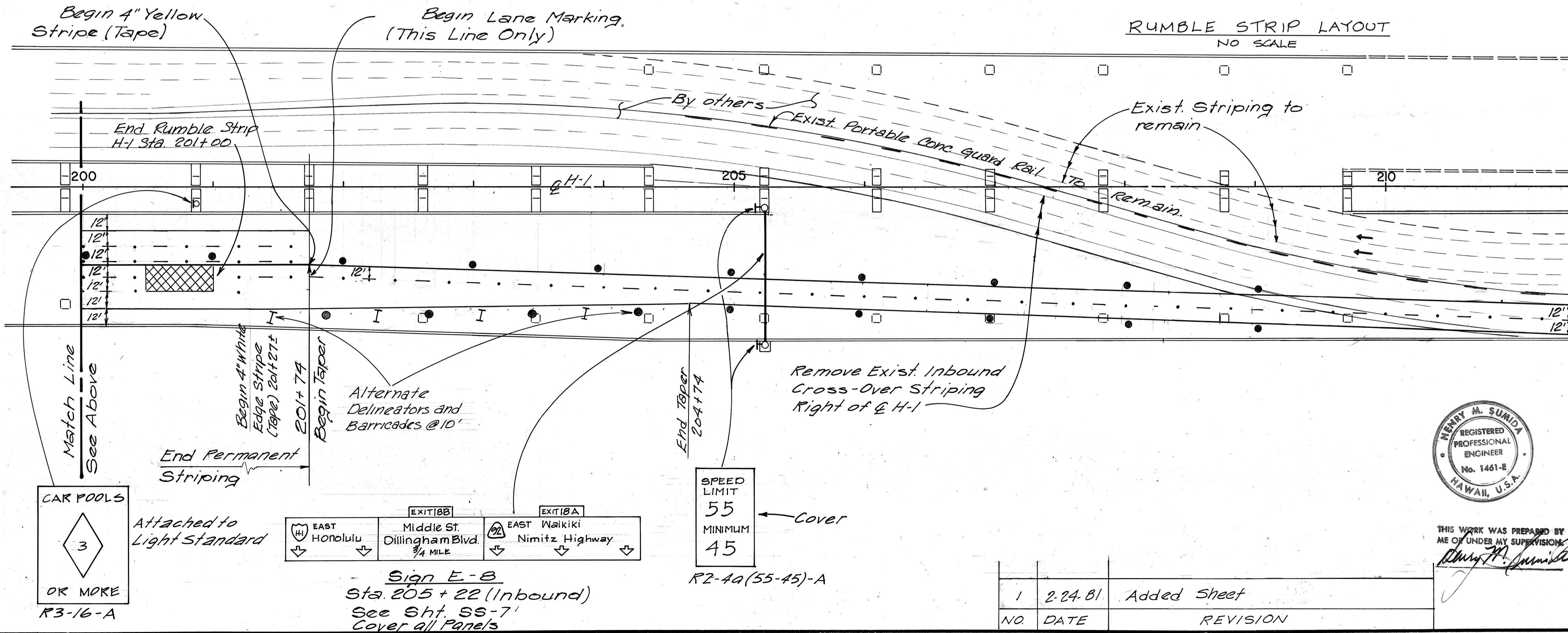
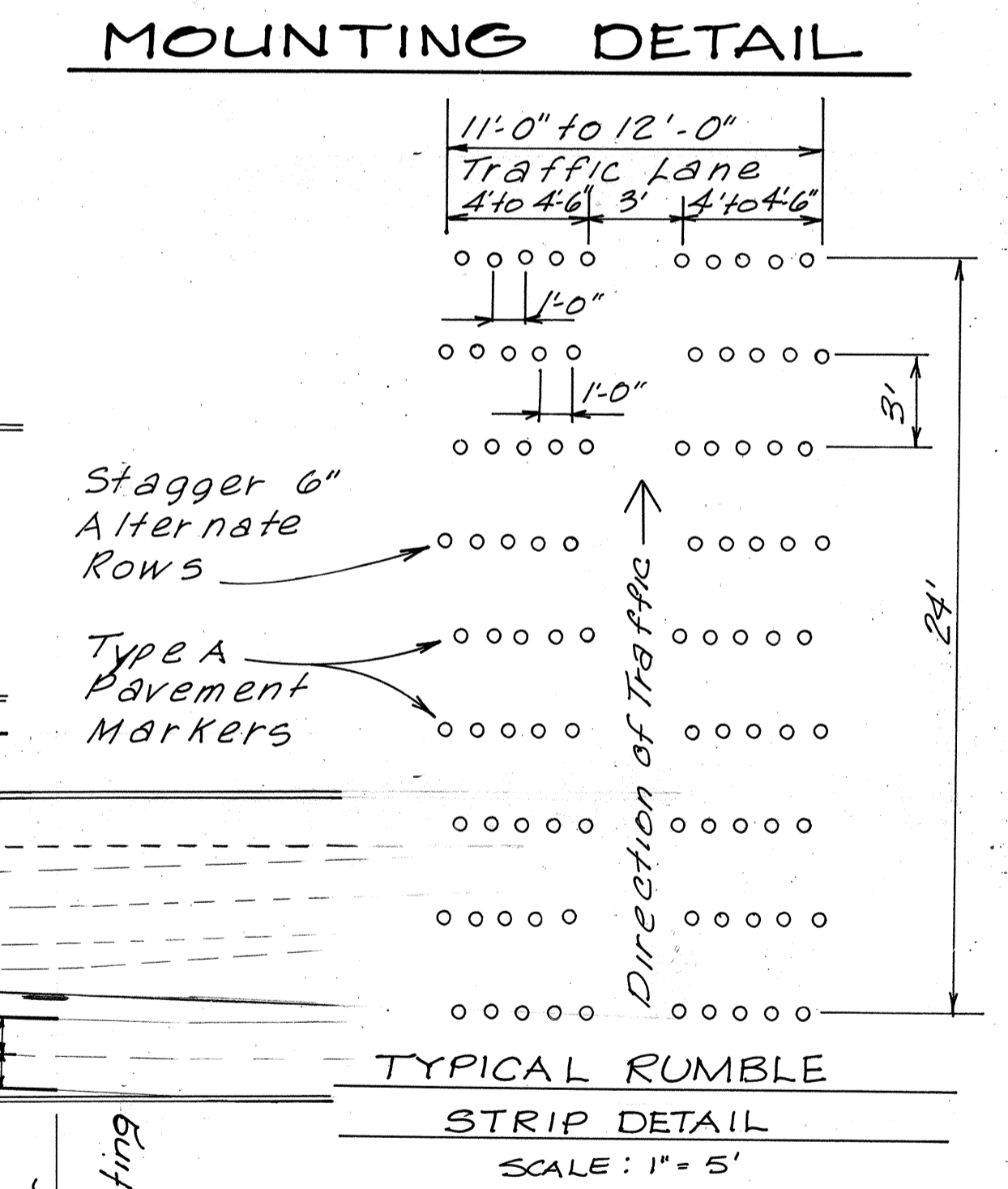
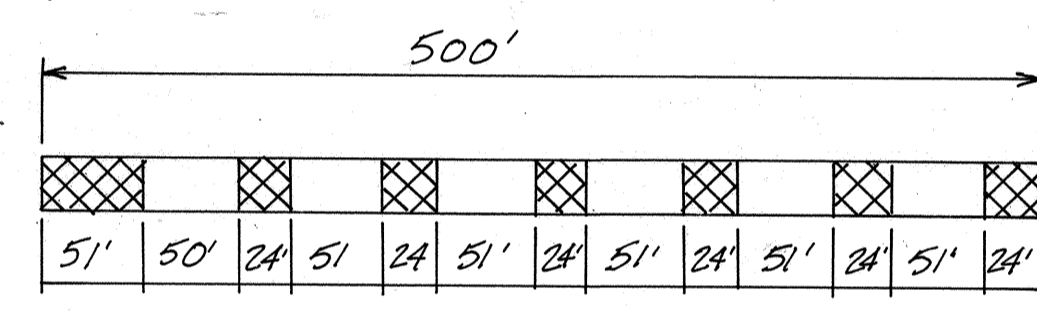
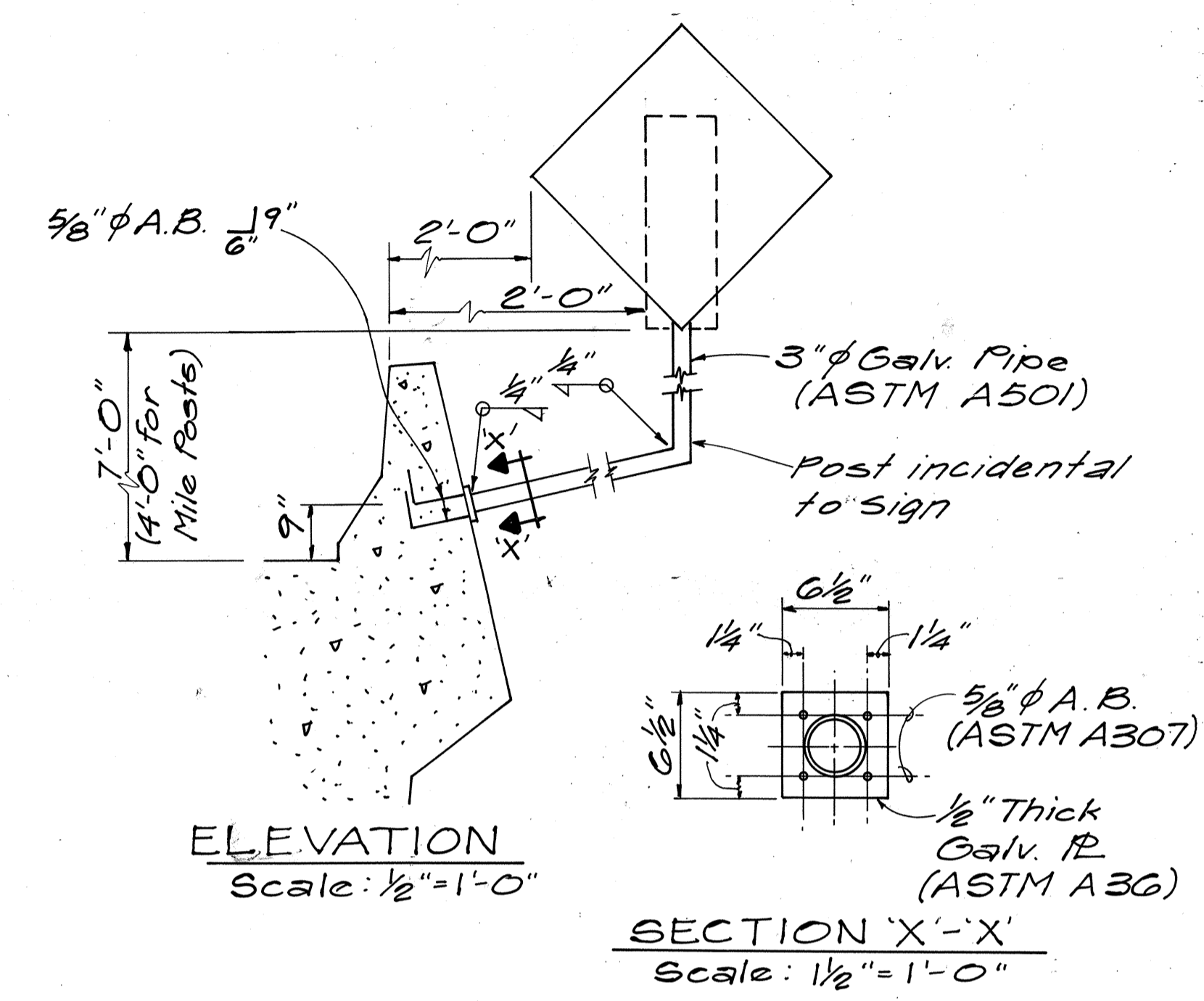
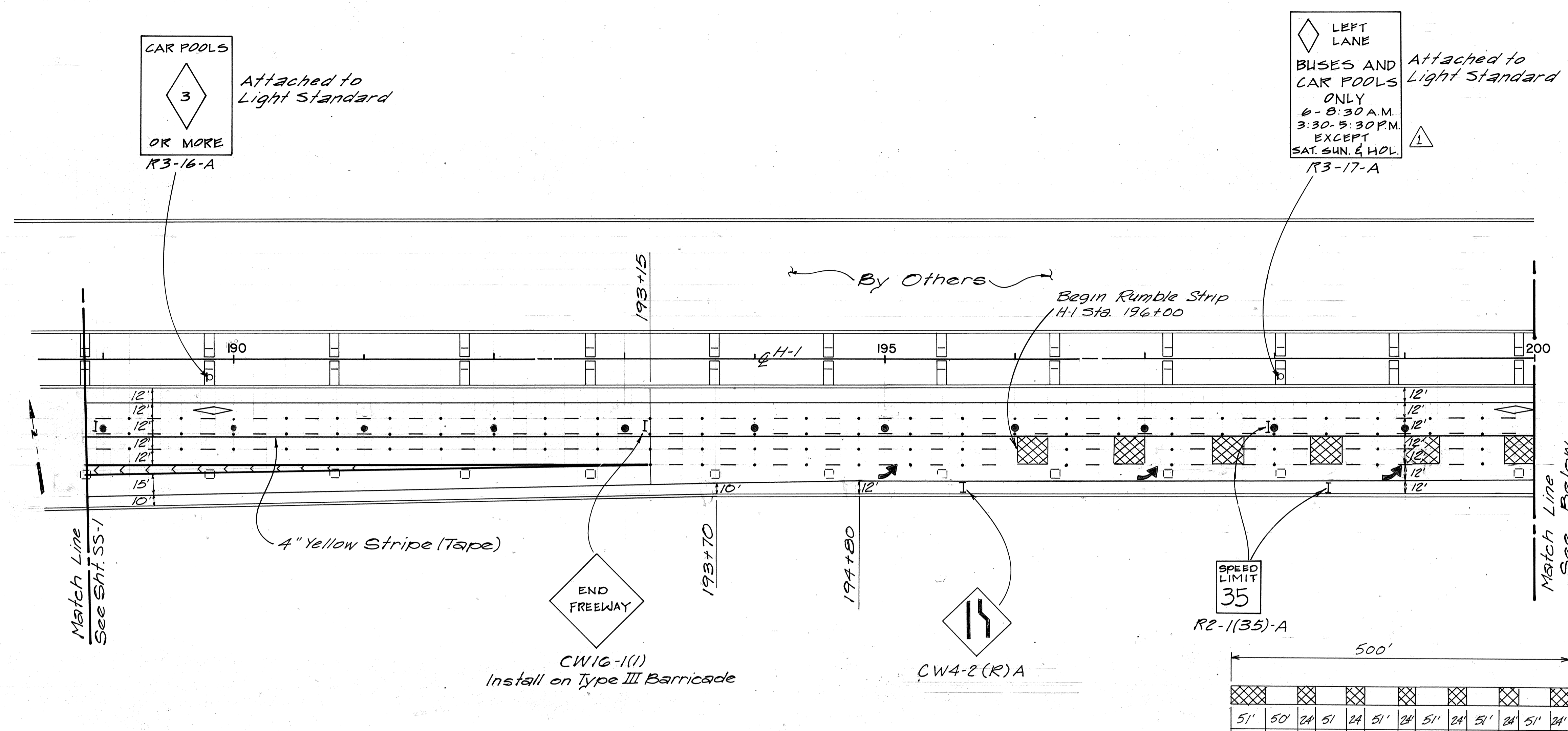
STATE OF HAWAII  
DEPARTMENT OF TRANSPORTATION  
HIGHWAYS DIVISION

**SIGNING & STRIPING**  
OUTBOUND VIADUCT  
STA 200+00 TO 203+02.03  
AIRPORT INTERCHANGE  
F.A.I. PROJ. NO. I-HI-1(150):10

SCALE: 1"=50' DATE: AUG. 9, 1977  
SHEET No. 55 OF 11 SHEETS

COADD 34

FED. ROAD DIST. NO.	STATE	FED. AID PROJ. NO.	FISCAL YEAR	SHEET NO.	TOTAL SHEETS
HAWAII	HAW.	I-HI-1(156)16	1979	34A	



THIS WORK WAS PREPARED BY ME OR UNDER MY SUPERVISION  
*Henry M. Sumida*

STATE OF HAWAII  
 DEPARTMENT OF TRANSPORTATION  
 LAND TRANSPORTATION FACILITIES

**SIGNING & STRIPING**

AIRPORT INTERCHANGE  
 F.A.I. PROJ. NO. I-HI-1 (156) 16

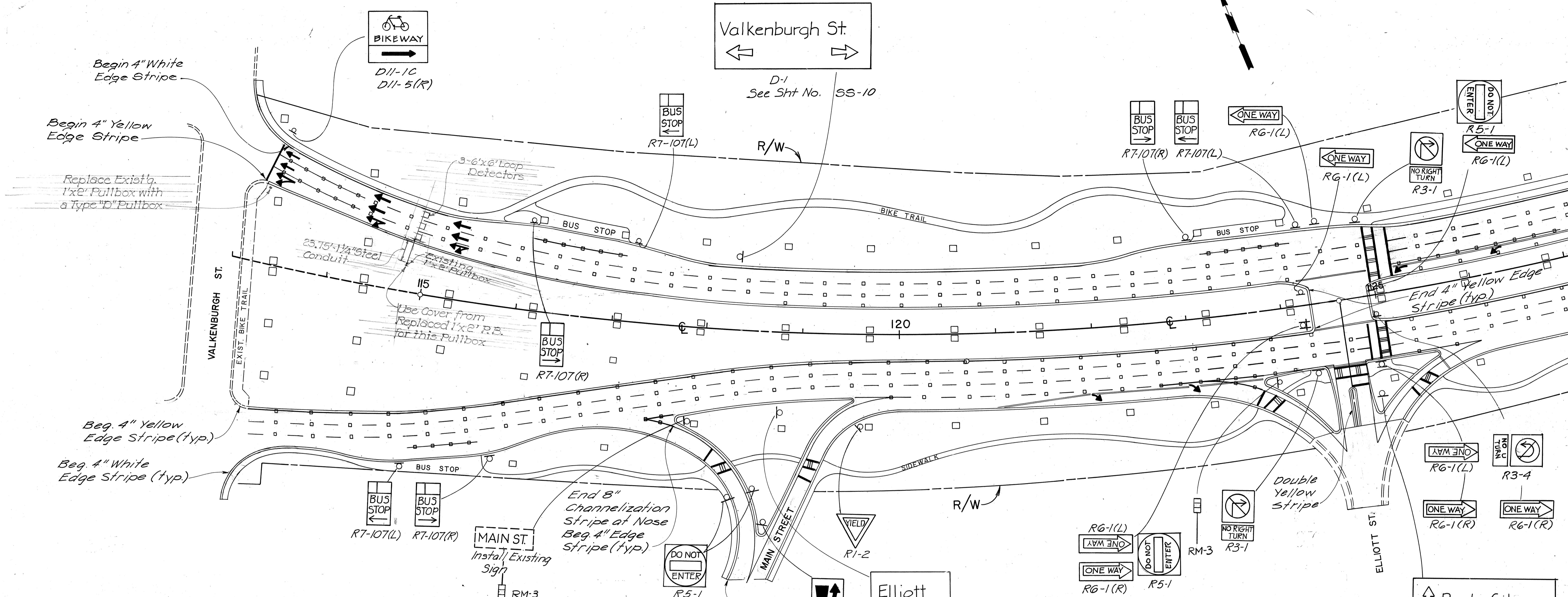
SCALE: 1"=50' DATE: JULY 17, 1978  
 SHEET No. 552 OF 13 SHEETS

NO	DATE	REVISION
1	2-24-81	Added Sheet

DATE \_\_\_\_\_  
 SURVEY PLOTTED BY \_\_\_\_\_  
 DRAWN BY \_\_\_\_\_  
 DESIGNED BY \_\_\_\_\_  
 QUANTITIES BY \_\_\_\_\_  
 CHECKED BY \_\_\_\_\_

C034A

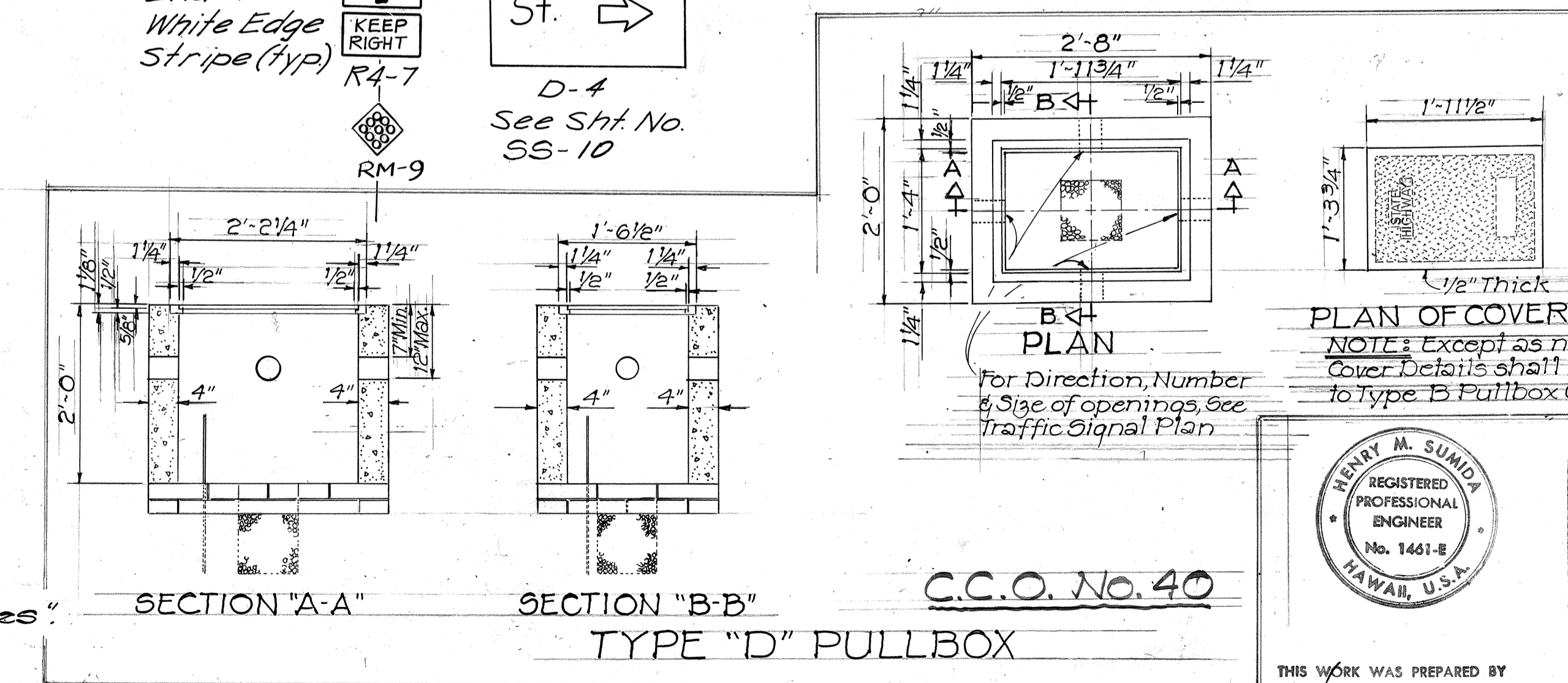
FED. ROAD DIST. NO.	STATE	FED. AID PROJ. NO.	FISCAL YEAR	SHEET NO.	TOTAL SHEETS
HAWAII	HAW.	I-HI(150)16	1979	35	236



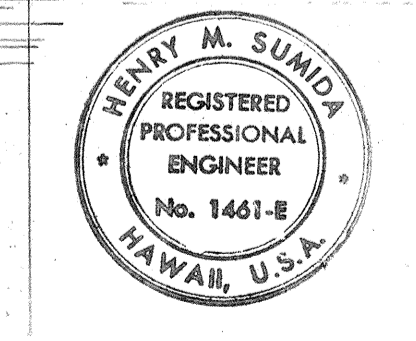
**LEGEND**

- - □ - □ - □ Divided Highway Lanes (Markers)
- — — — — Divided Highway Lanes (Solid Lane Lines) (4" Wide Stripe)
- — — — — Channelization Lines (8" Wide)
- — — — — Centerline (Double Solid Yellow)
- — — — — Stop Line (12" White) 10' before Crosswalk or Median Opening
- — — — — Crosswalk See Sht. 69 for Details
- Lane

Note:  
 1) All signing and pavement striping shall be in accordance with these plans and specifications and "The Manual on Uniform Traffic Control Devices"  
 2) See Shts 6 and 7 for location of Portable Conc. Guard Rail and Temporary Bituminous Curb



No	DATE	REVISION
1	11-18-80	Added Arrows @ Intersection Approach



**STATE OF HAWAII**  
**DEPARTMENT OF TRANSPORTATION**  
**HIGHWAYS DIVISION**

**SIGNING & STRIPING**  
**FRONTAGE ROADS**  
**STA. 115+00 TO 125+00**

AIRPORT INTERCHANGE  
 F.A.I. PROJ. NO. I-HI-15016

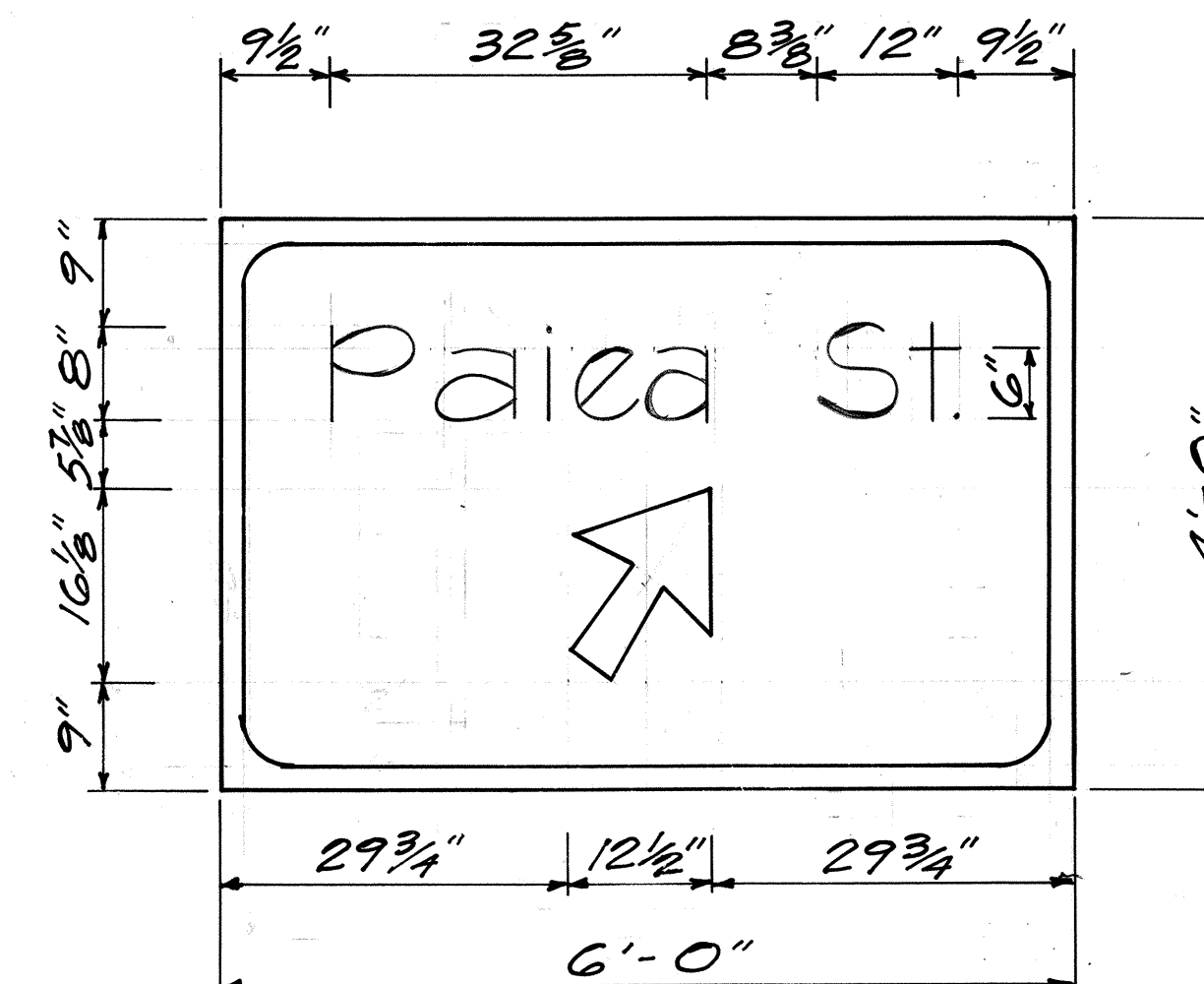
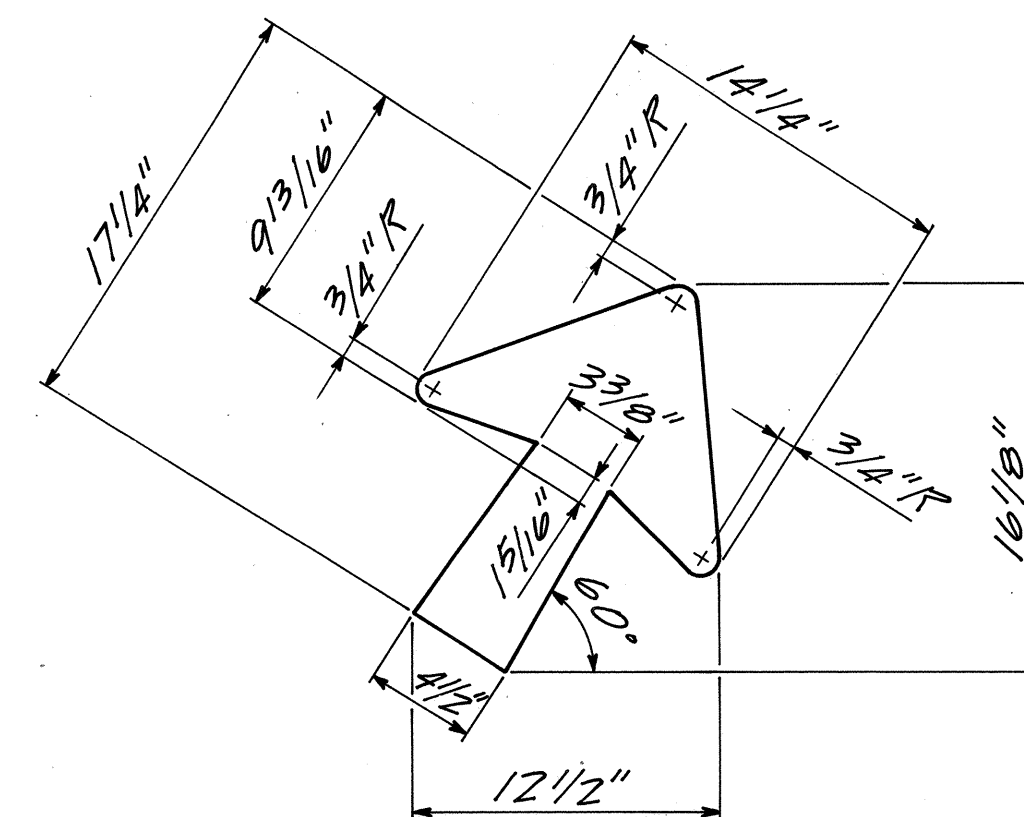
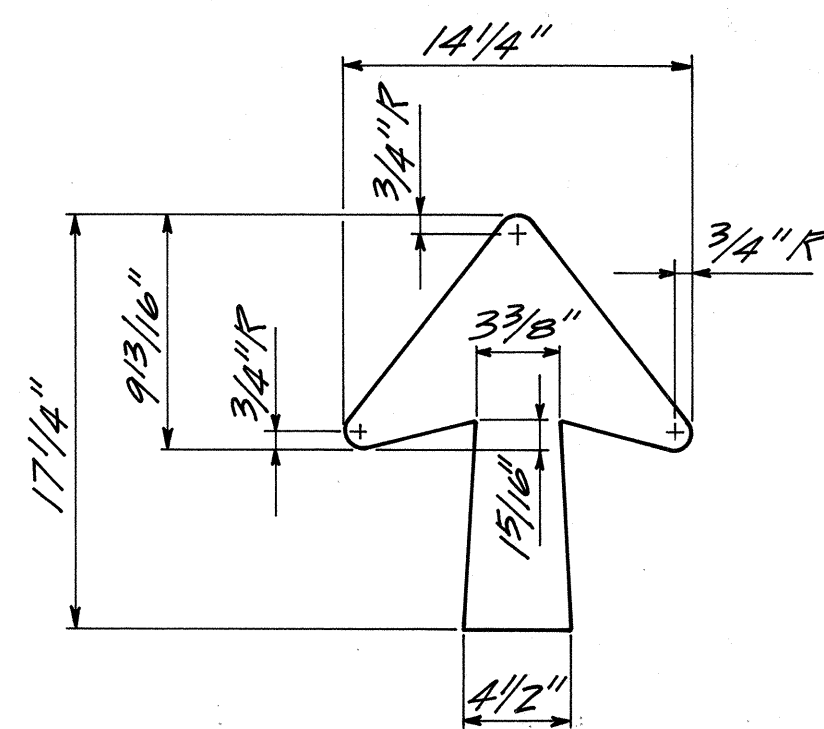
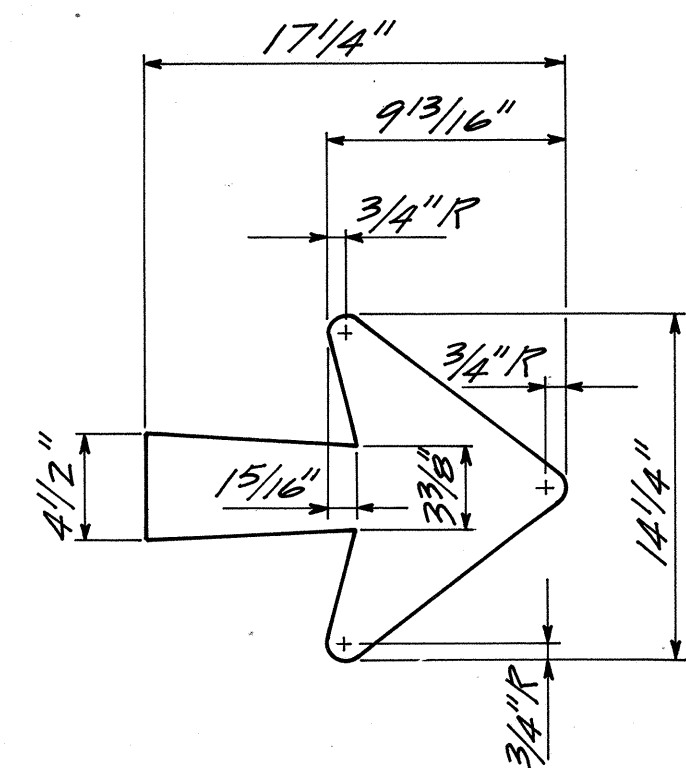
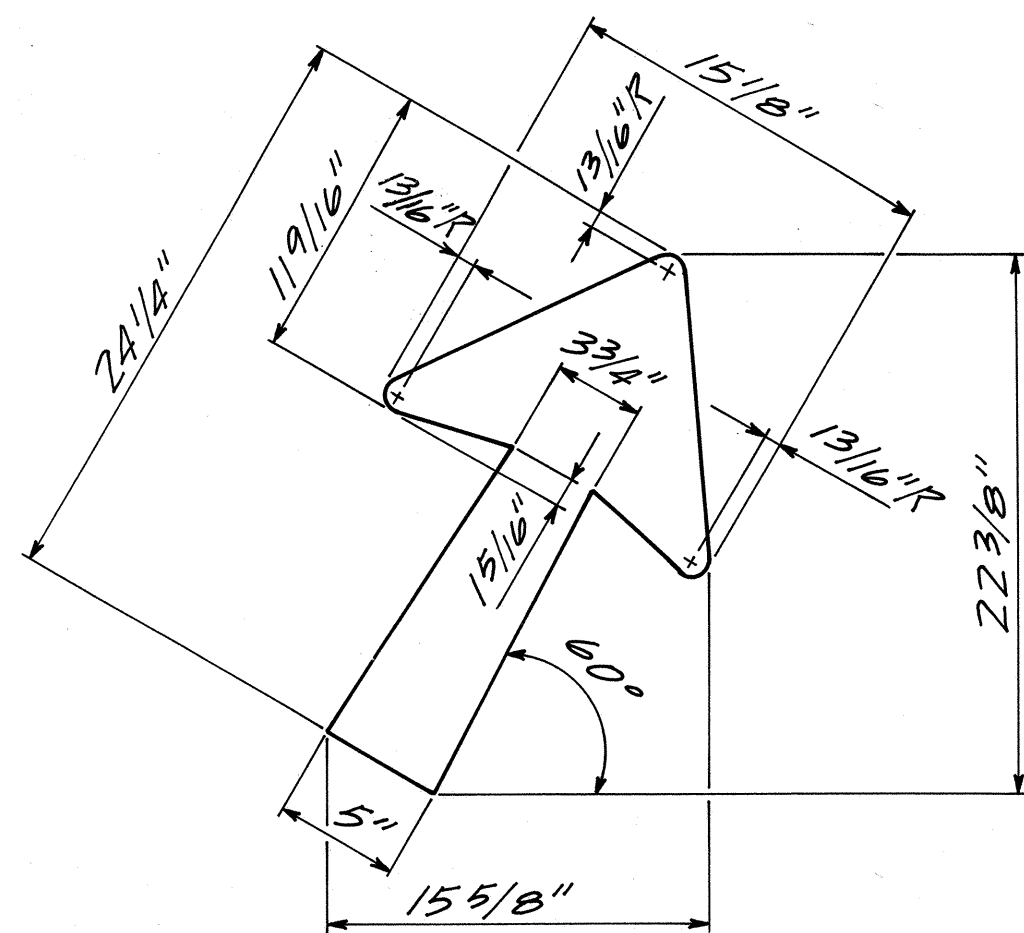
SCALE: 1" = 50'      DATE: AUG 9, 1977

**SHEET No. 55-7 OF 11 SHEETS**

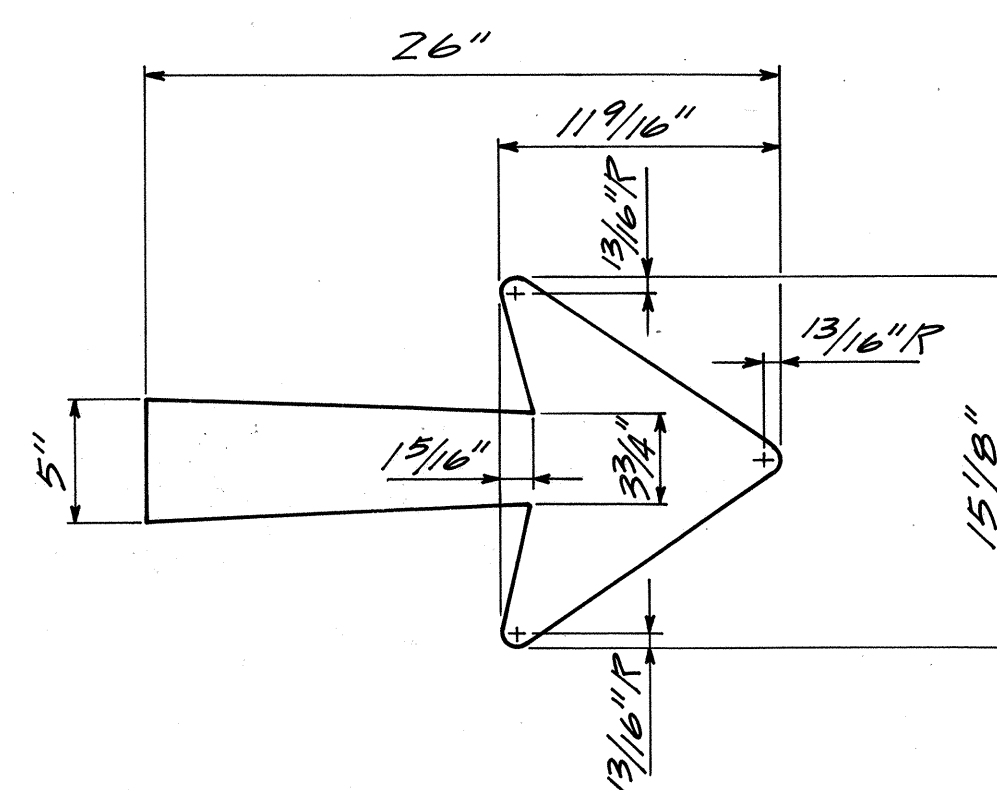
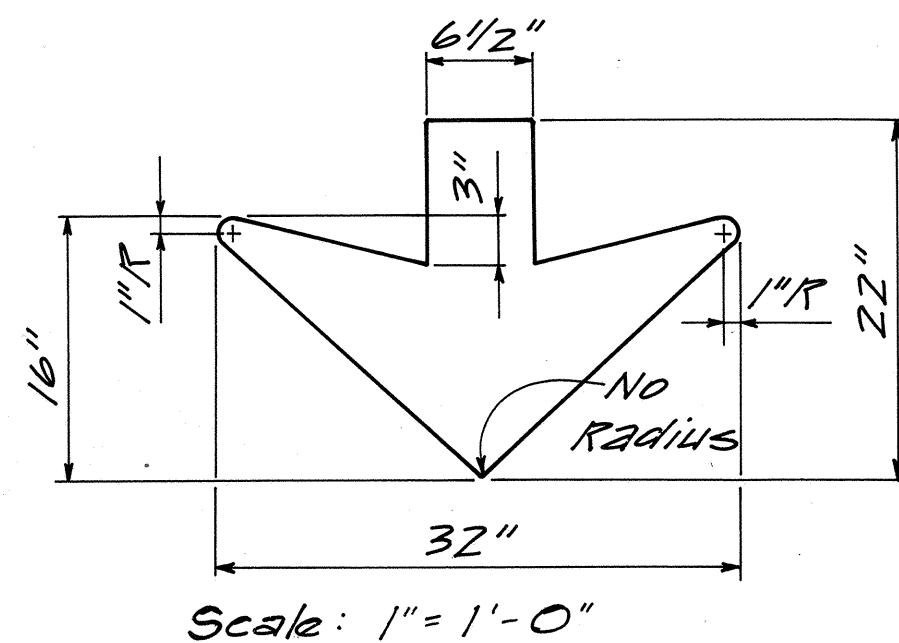
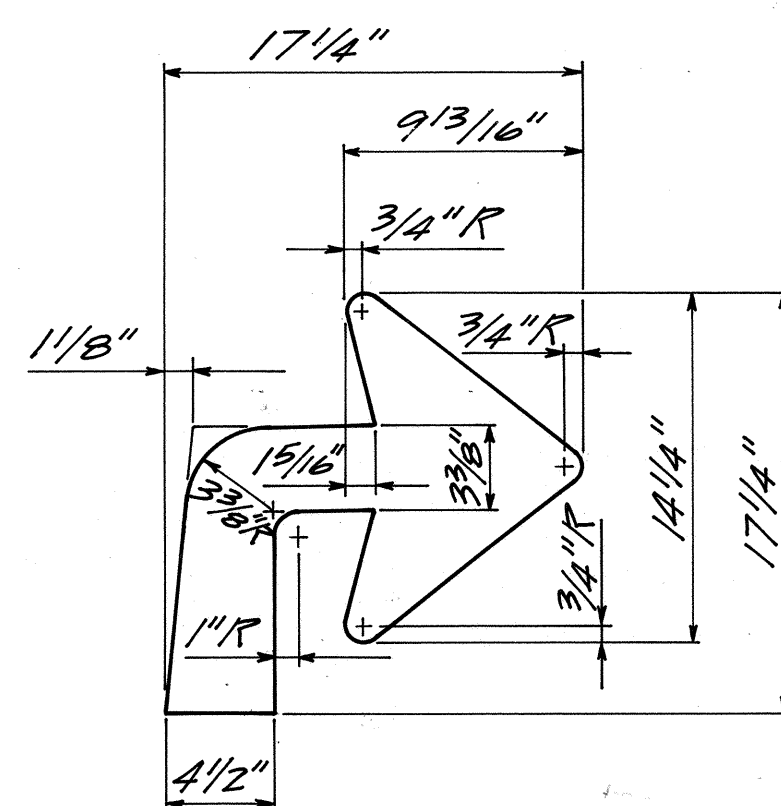
DATE	_____
SURVEY PLOTTED BY	_____
DRAWN BY	_____
TRACED BY	_____
QUANTITIES BY	_____
CHECKED BY	_____
NOTE BOOK	_____
No.	_____



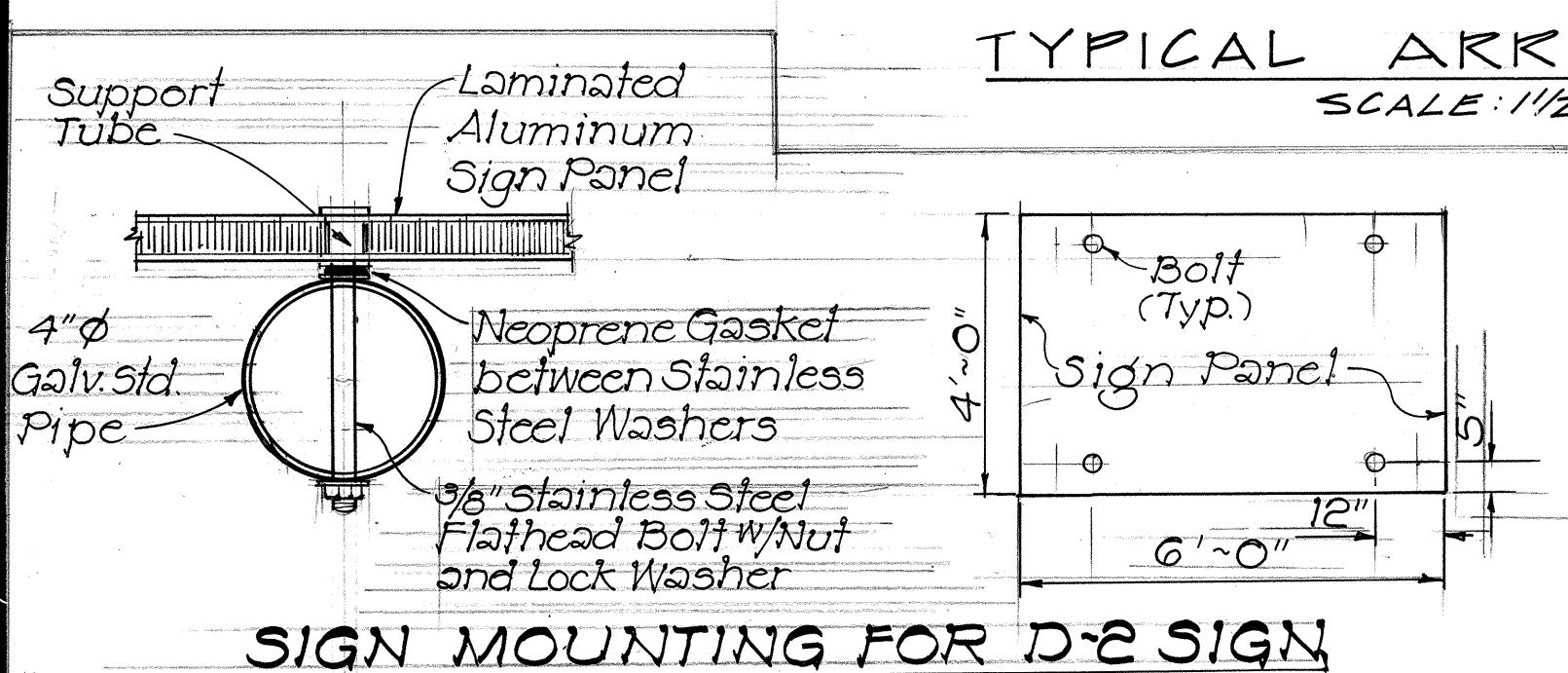
FED. ROAD DIST. NO.	STATE	FED. AID PROJ. NO.	FISCAL YEAR	SHEET NO.	TOTAL SHEETS
HAWAII	HAW.	I-HI-1(156):16	1979	37	236



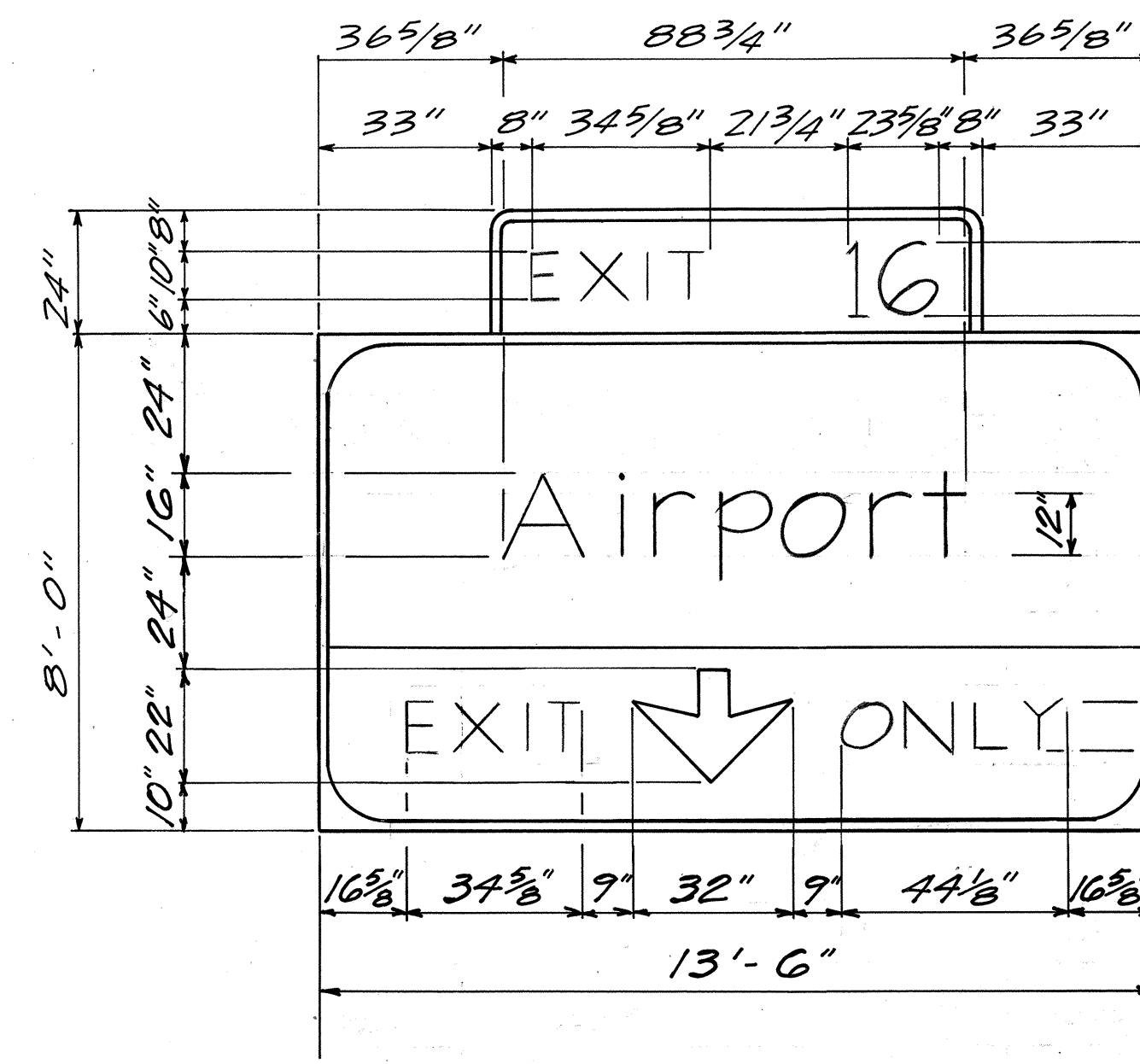
D-2  
Scale: 3/4" = 1'-0"



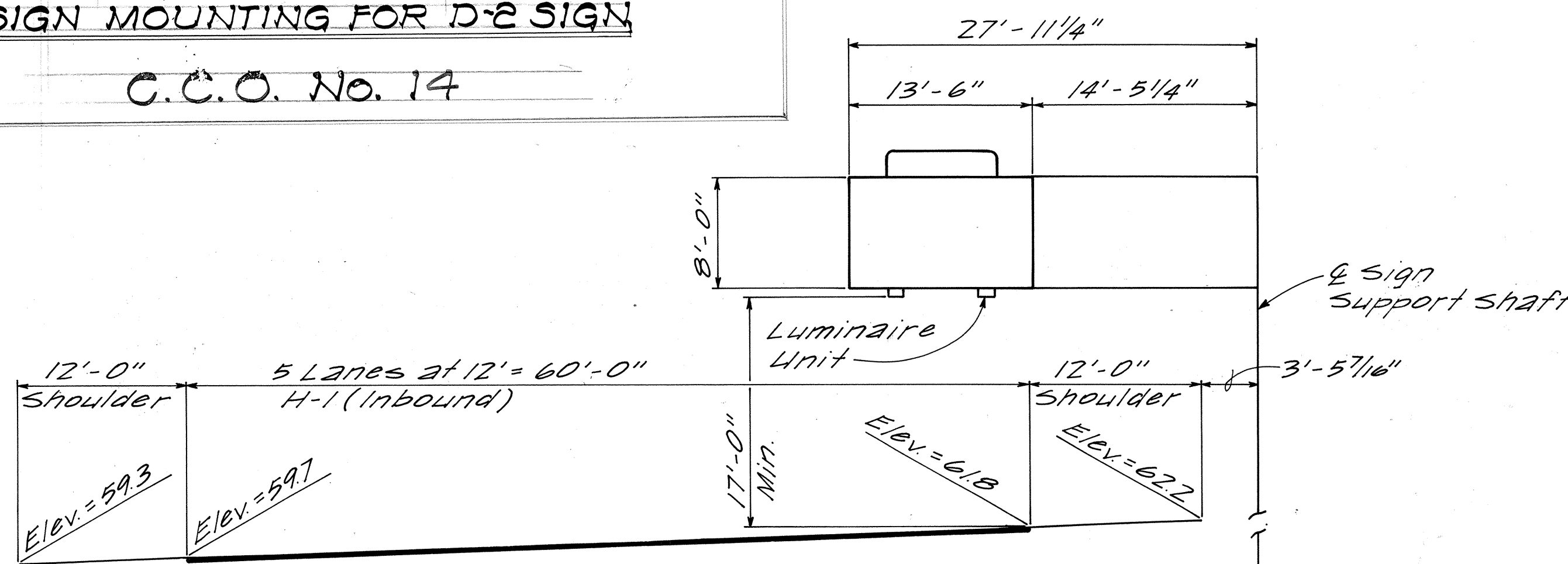
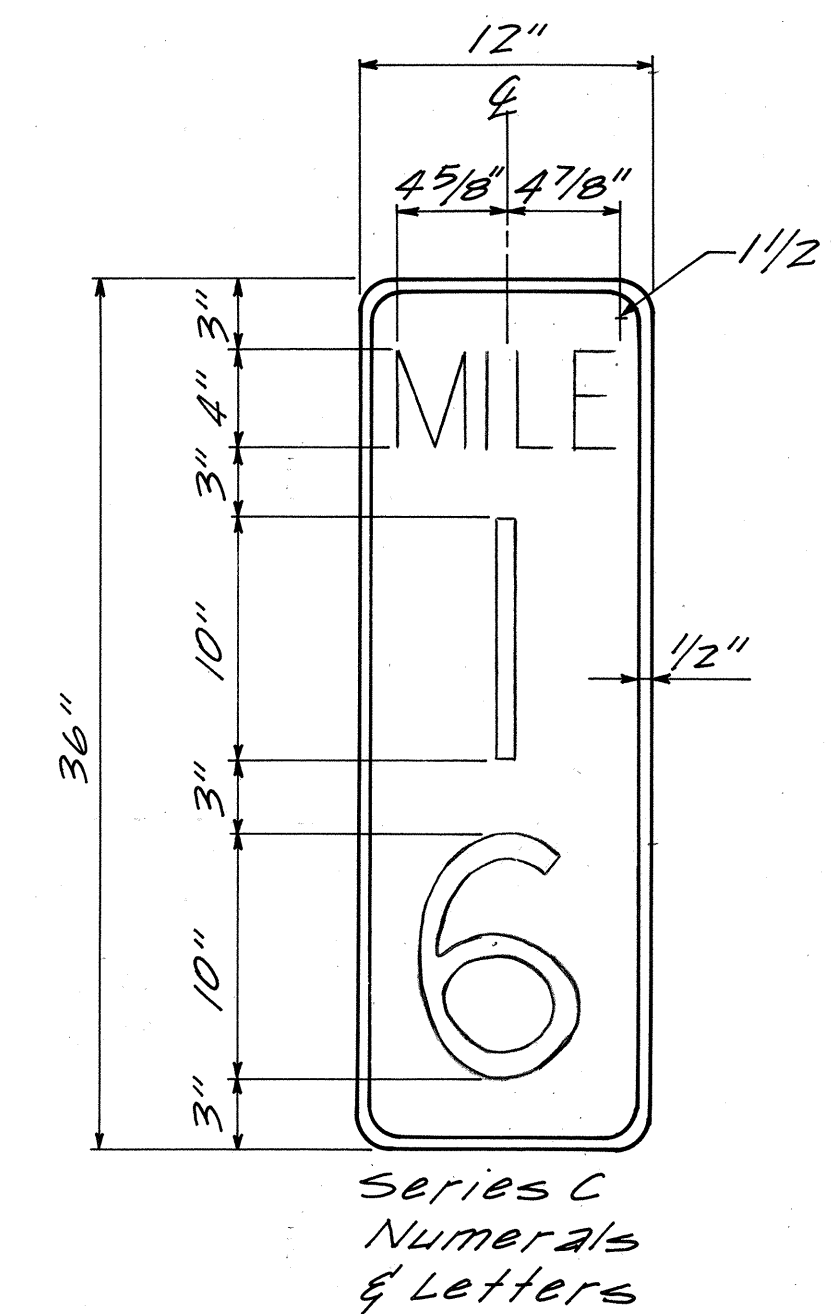
TYPICAL ARROW DETAIL  
SCALE: 1/2" = 1'-0" Except as Noted



SIGN MOUNTING FOR D-2 SIGN  
C.C.O. No. 14

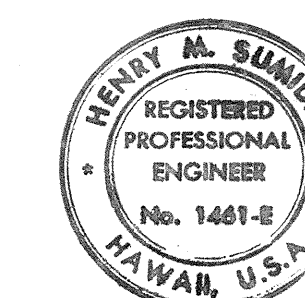


SIGN E-2  
SCALE: 3/8" = 1'-0"



SIGN E-2  
SCALE: 1/8" = 1'-0"  
Sta 126+82 (Inbound)  
Panel Height 8'-0"

No.	DATE	REVISION
1	10-10-79	Revised Sign E-2, Added Sign D-2



THIS WORK WAS PREPARED BY ME OR UNDER MY SUPERVISION  
*Henry M. Sumida*

STATE OF HAWAII  
DEPARTMENT OF TRANSPORTATION  
LAND TRANSPORTATION FACILITIES DIVISION

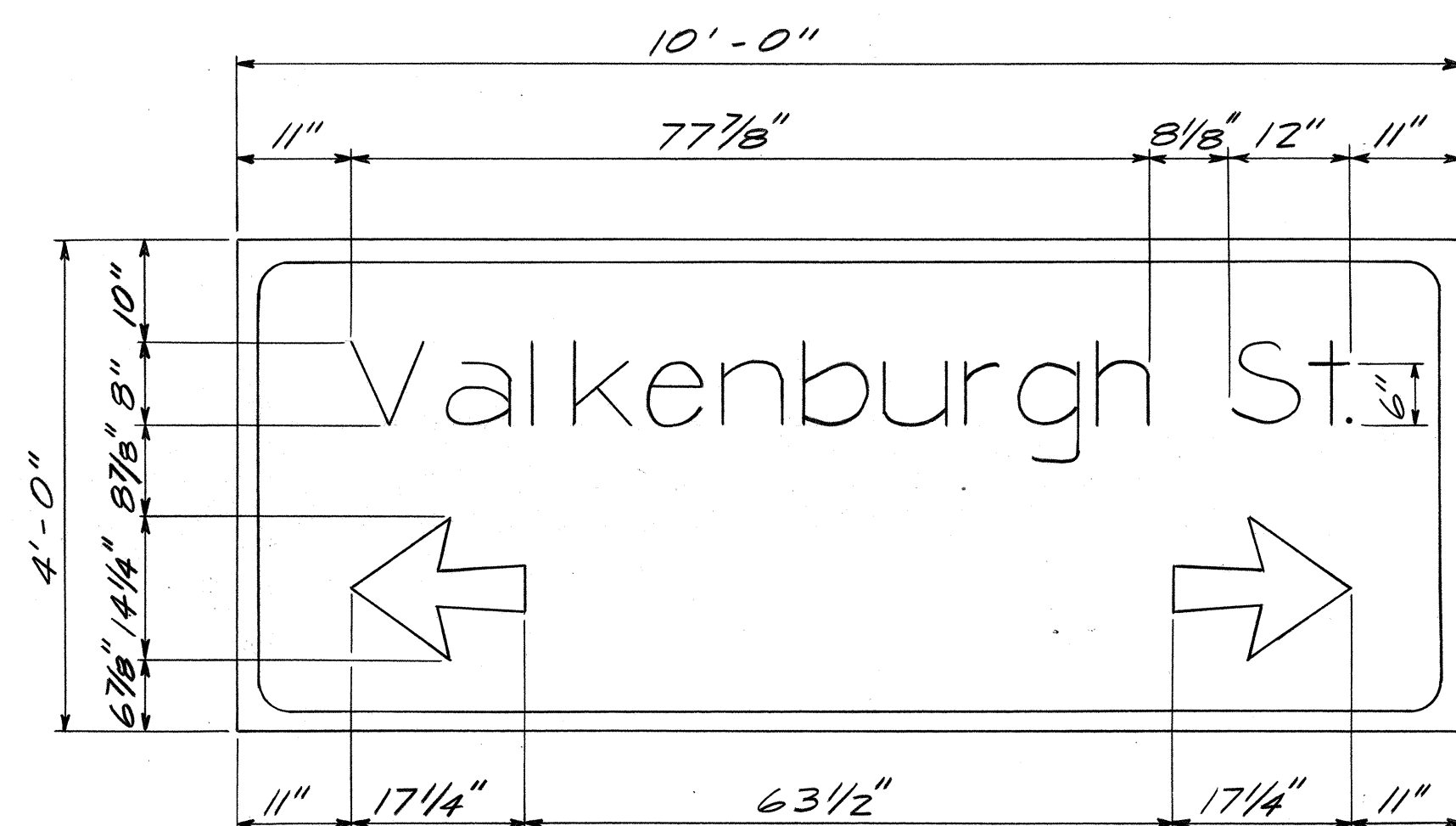
PANEL & FRAME LAYOUT

AIRPORT INTERCHANGE  
F.A.I. PROJ. NO. I-HI-1(156):16

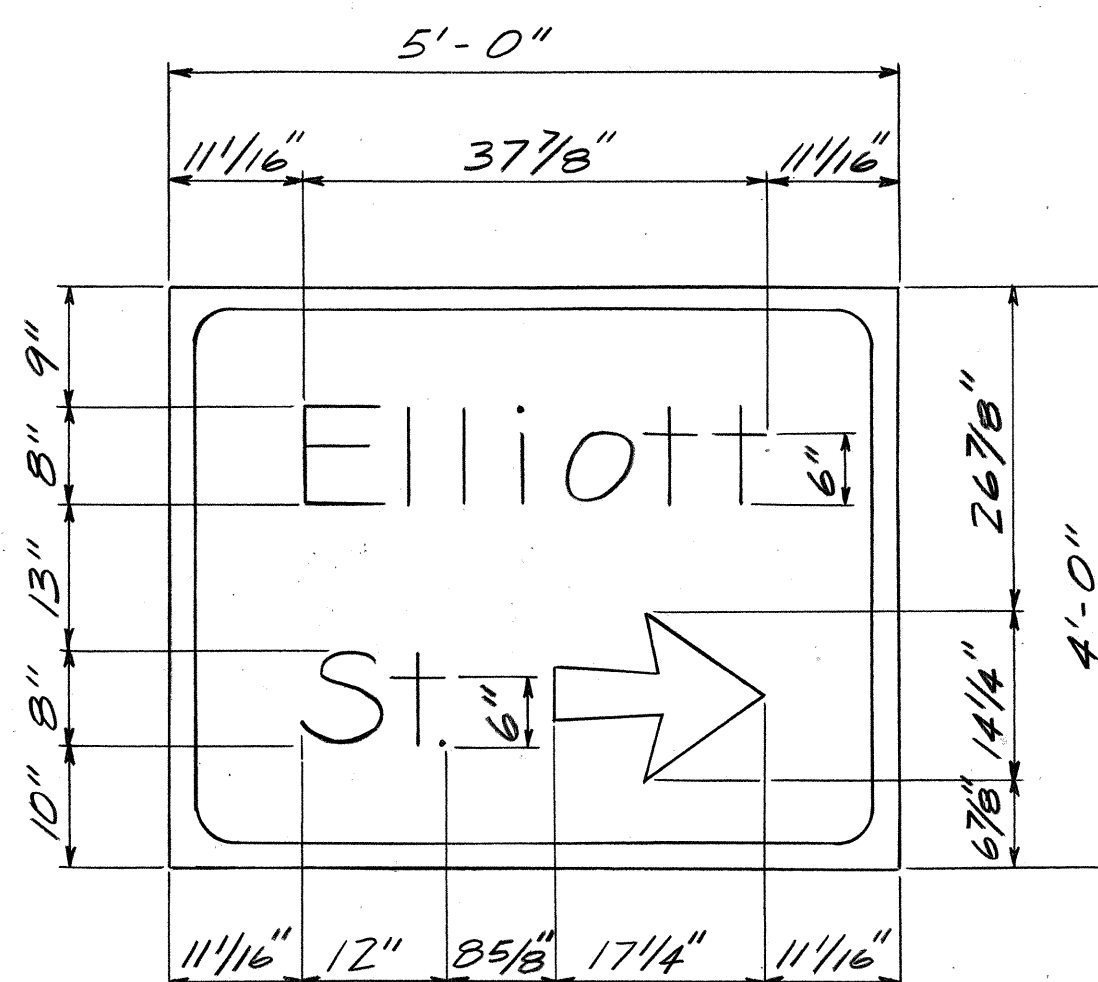
SCALE AS SHOWN DATE: NOV. 20, 1978  
SHEET NO. 37 OF 11 SHEETS

DATE: \_\_\_\_\_  
SURVEY PLOTTED BY: \_\_\_\_\_  
DRAWN BY: \_\_\_\_\_  
DESIGNED BY: \_\_\_\_\_  
CHECKED BY: \_\_\_\_\_  
NO. \_\_\_\_\_

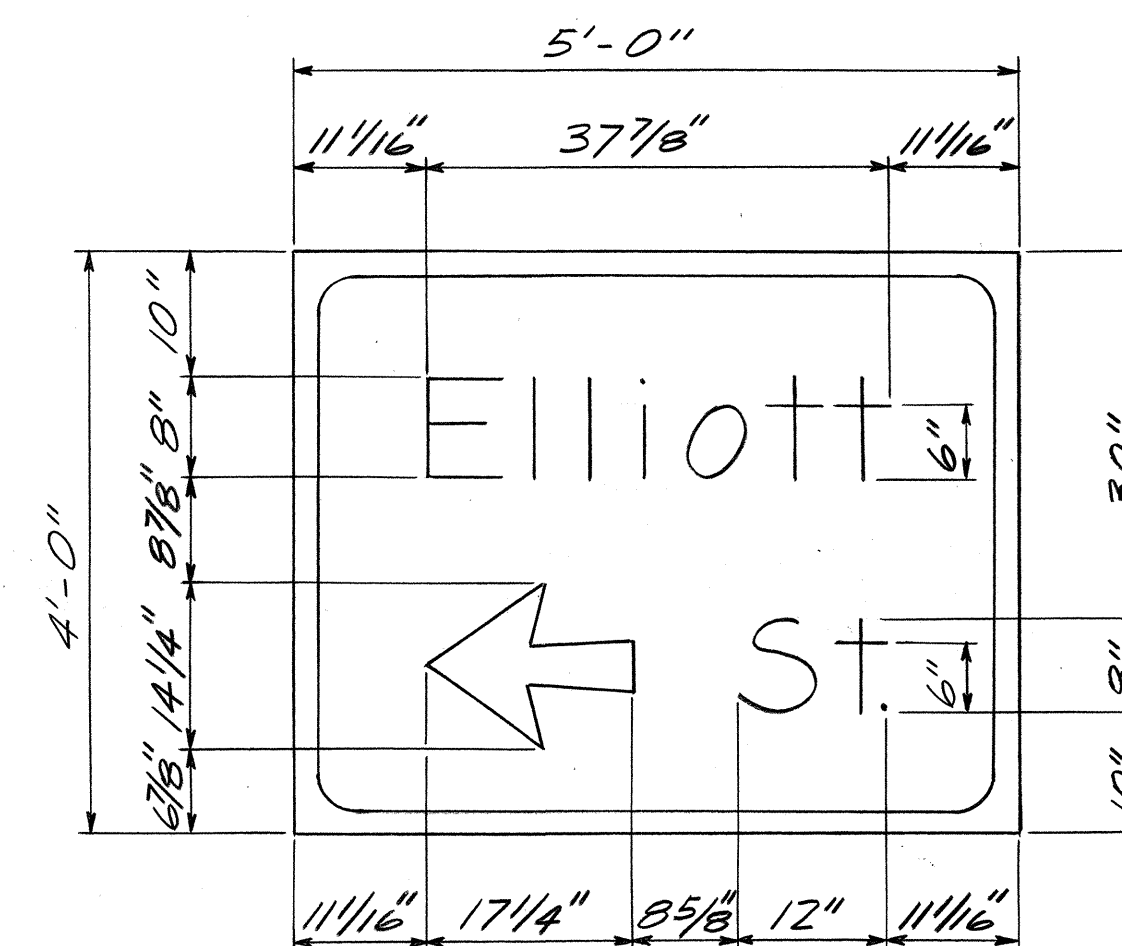
FED. ROAD DIST. NO.	STATE	FED. AID PROJ. NO.	FISCAL YEAR	SHEET NO.	TOTAL SHEETS
HAWAII	HAW.	I-HI-1(156)16	1979	38	236



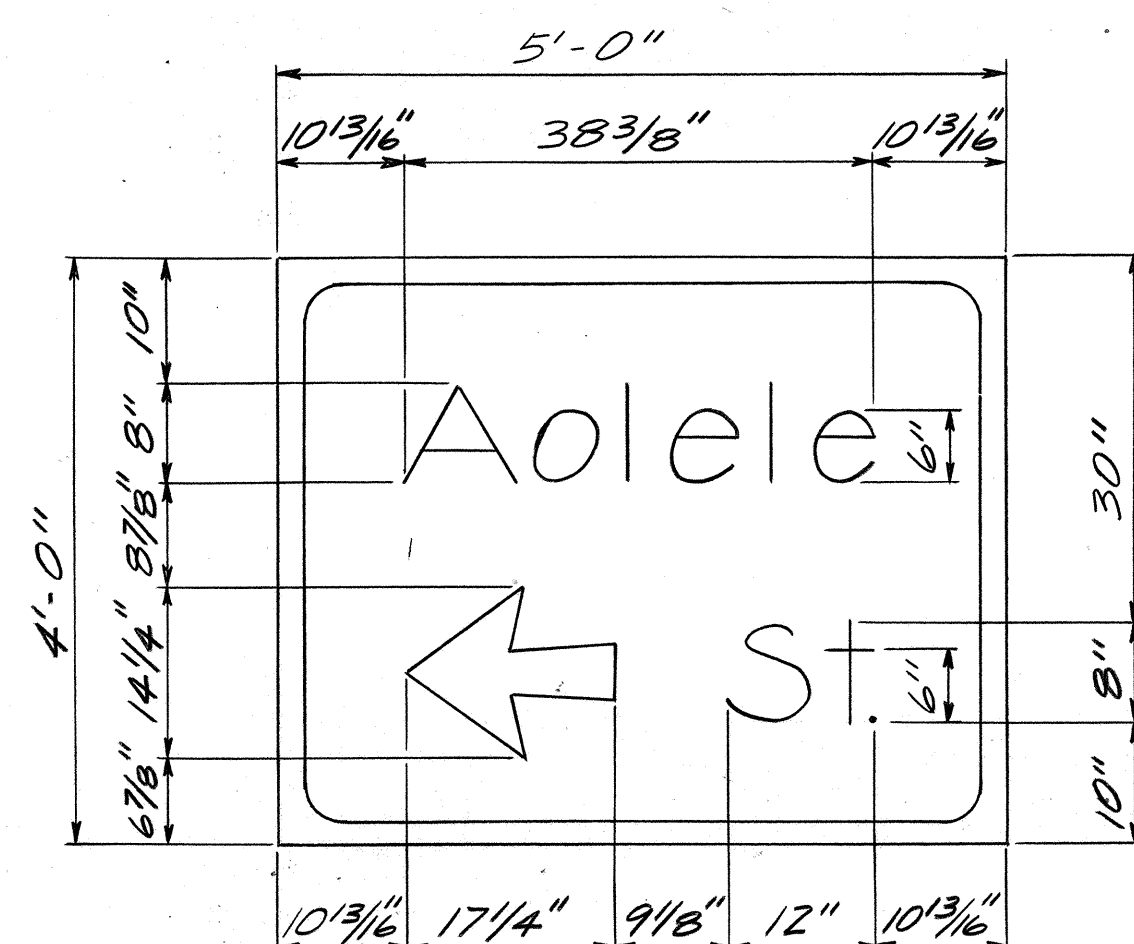
D-1



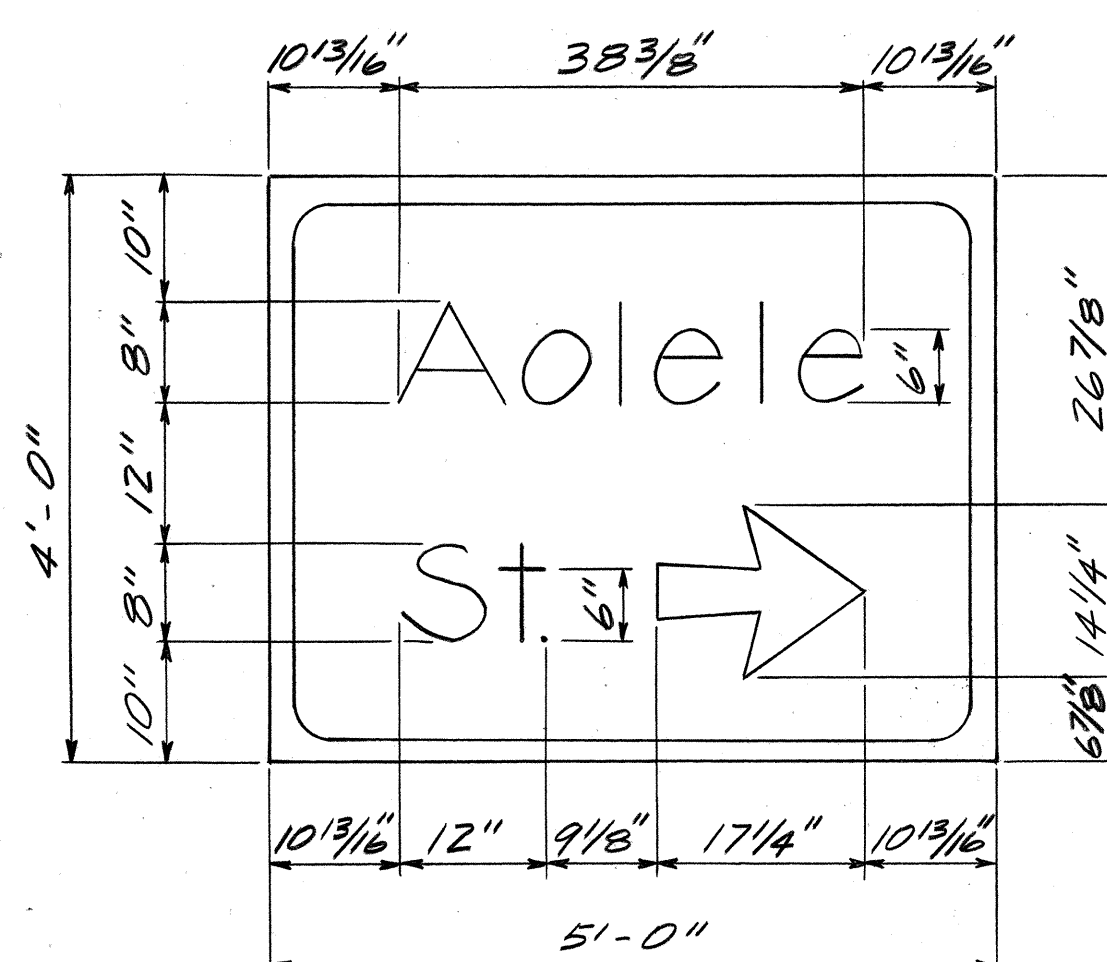
D-4



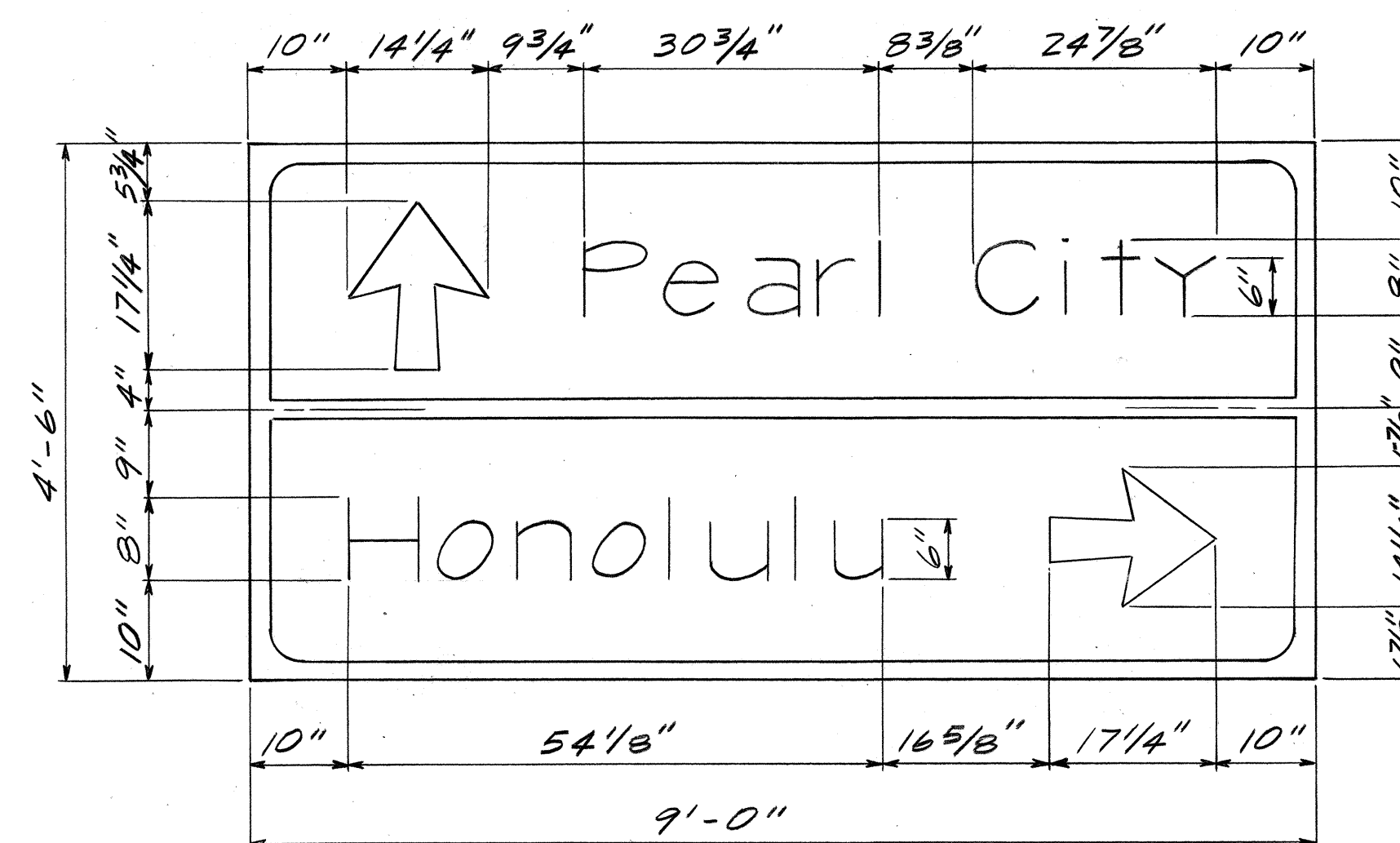
D-5



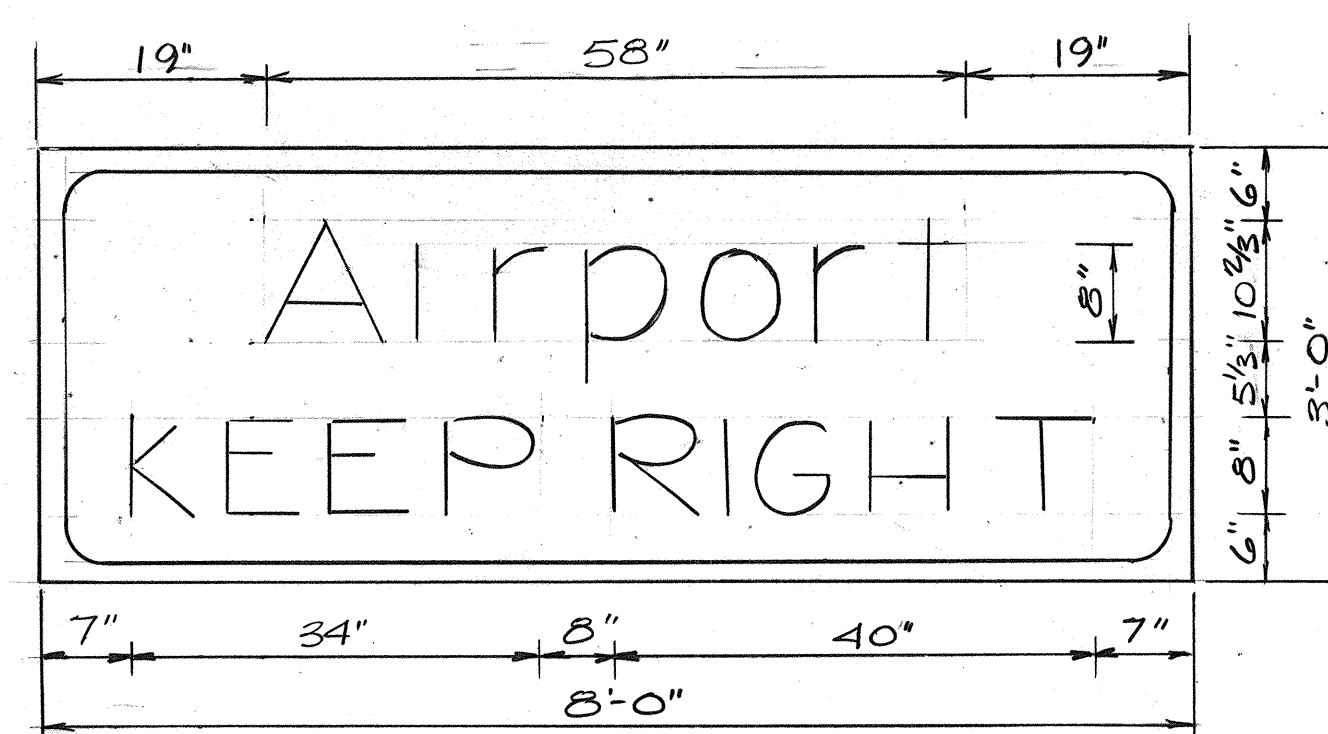
D-6



D-7



D-8



D-9

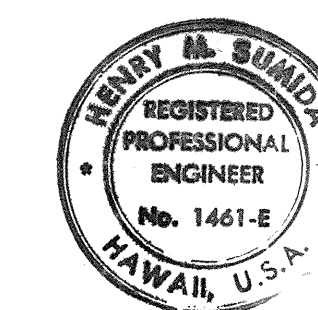
MOUNT OVER CENTER LANE ON PIER CAP  
FACING INBOUND TRAFFIC - PIER 31  
STA 142+14



D-10

MOUNT OVER CENTER LANE ON PIER CAP  
FACING OUTBOUND TRAFFIC - PIER 56  
STA 165+45

No	DATE	REVISION
1	5-26-81	ADDED SIGNS D-9 & D-10



THIS WORK WAS PREPARED BY  
ME OR UNDER MY SUPERVISION  
*Henry M. Serrano*

STATE OF HAWAII  
DEPARTMENT OF TRANSPORTATION  
LAND TRANSPORTATION FACILITIES DIVISION

PANEL & FRAME LAYOUT

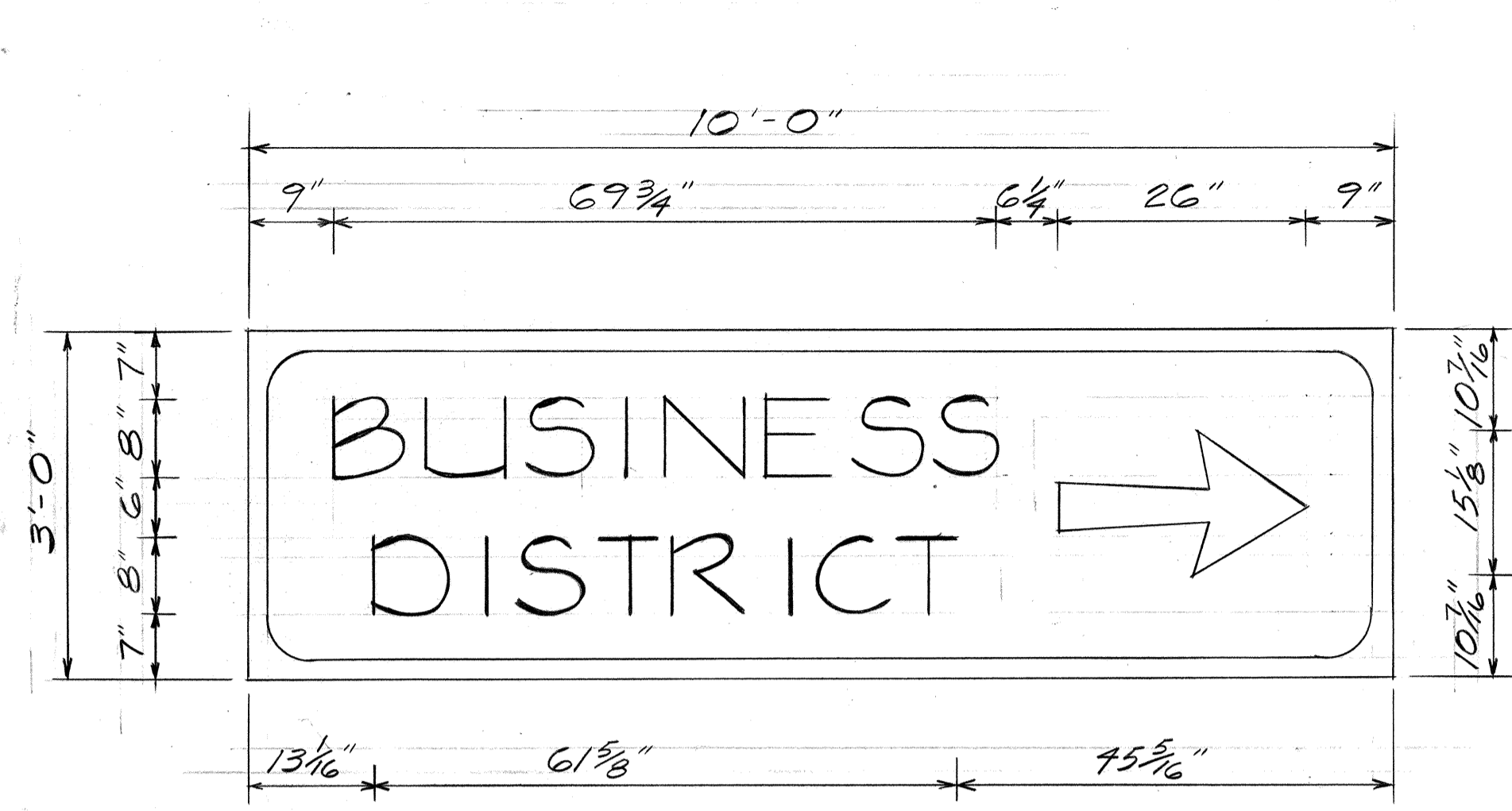
AIRPORT INTERCHANGE  
F.A.I. PROJ. NO. I-HI-1(156)16

SCALE: 3/4" = 1'-0" DATE: OCT. 1978

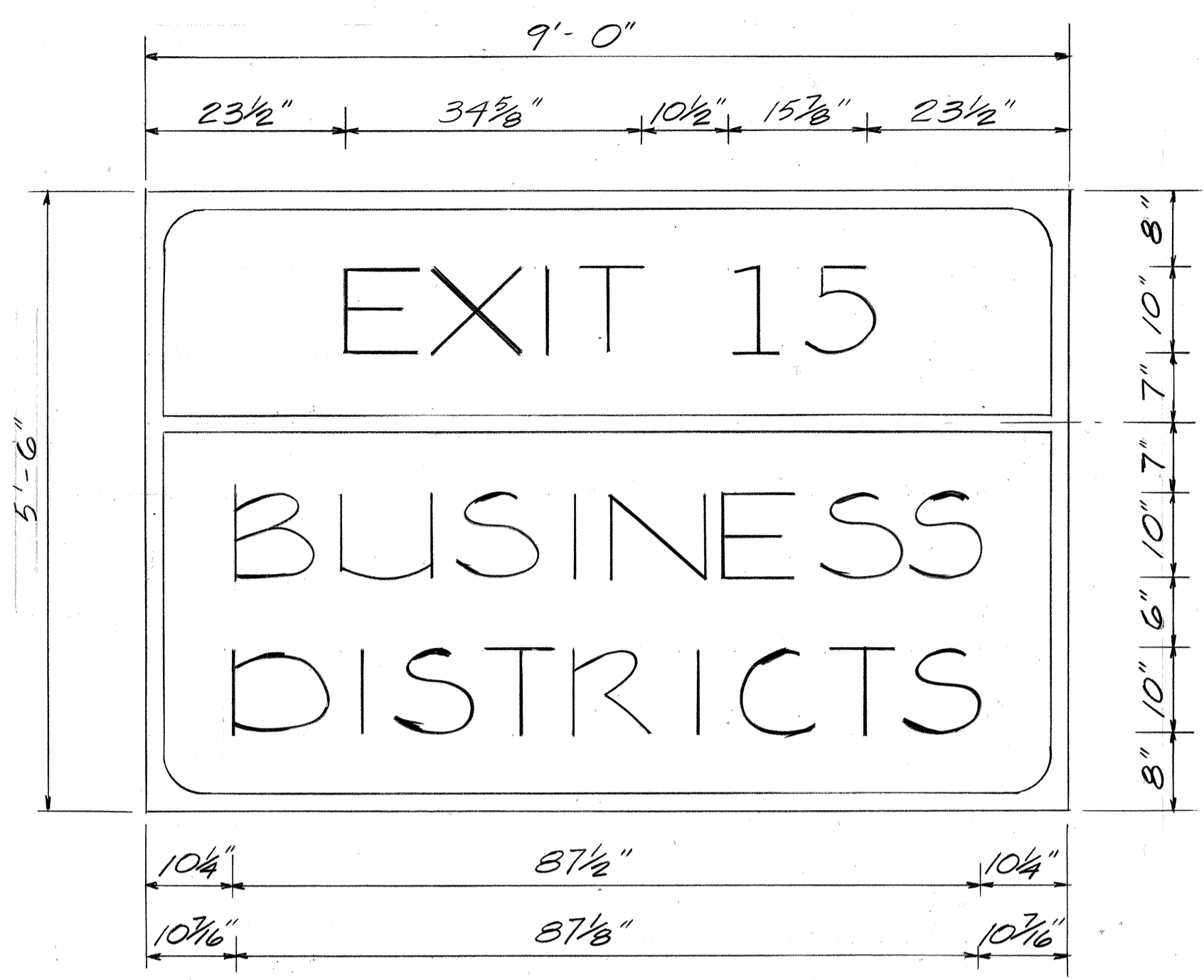
SHEET No. 38 OF 11 SHEETS

DESIGNED BY	DATE
DRAWN BY	
CHECKED BY	
QUANTITIES BY	
NOTE BOOK	
ORIGINAL PLAN	

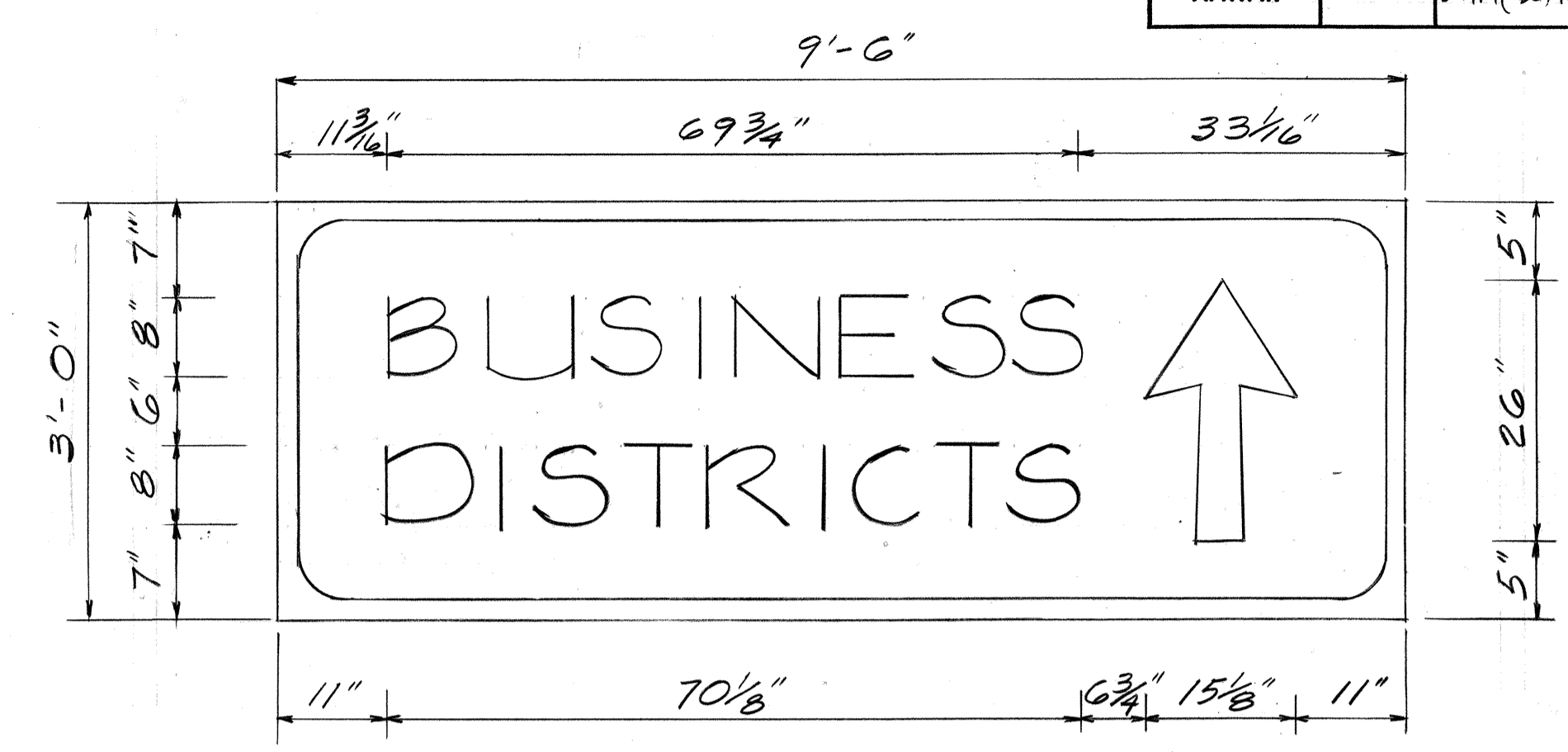
FED. ROAD DIST. NO.	STATE	FED. AID PROJ. NO.	FISCAL YEAR	SHEET NO.	TOTAL SHEETS
HAWAII	HAW.	I-41-1(156)16	1979	38A	



D-11  
SCALE: 3/4" = 1'-0"



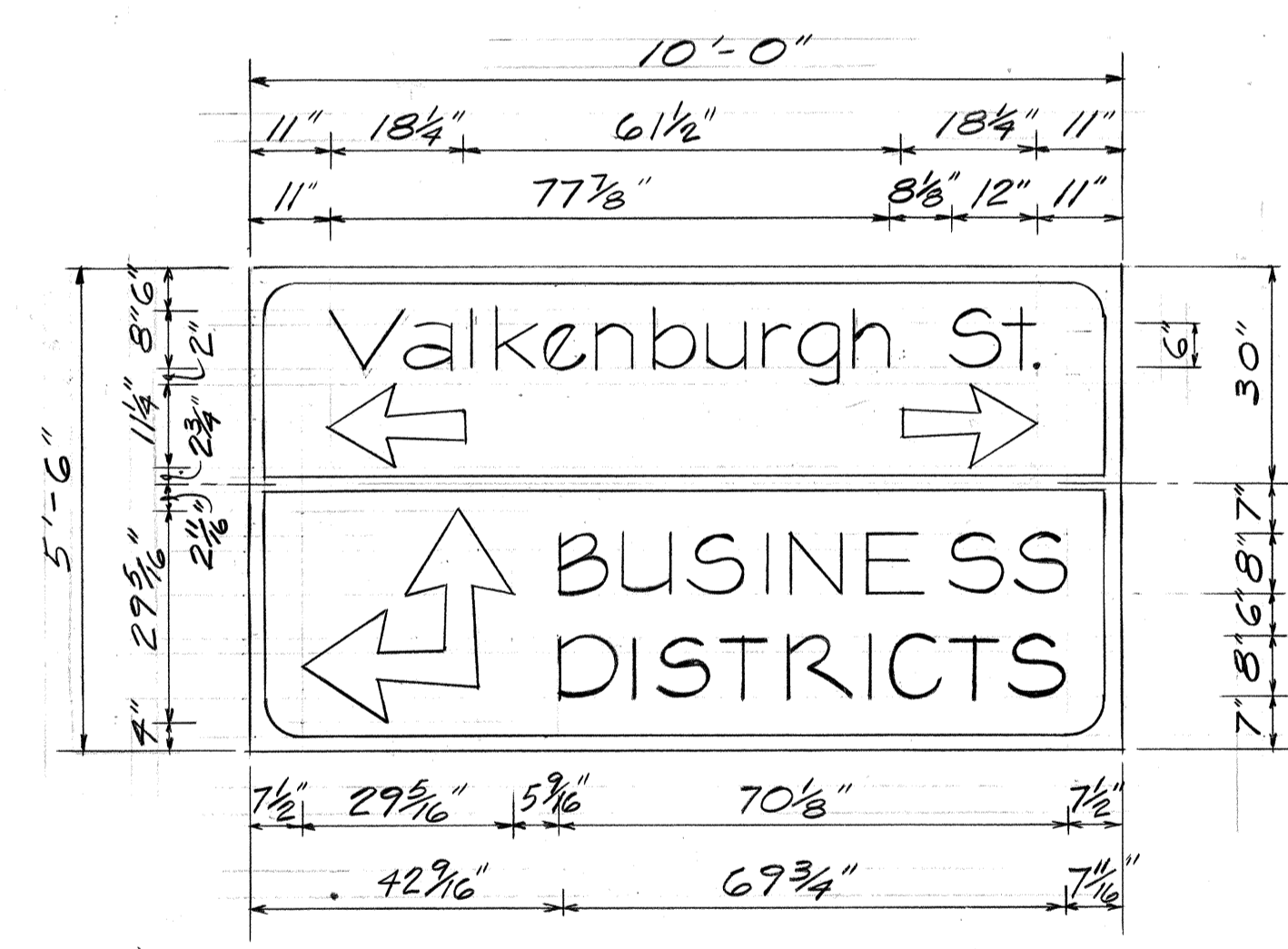
D-12  
NOT TO SCALE



D-13  
NOT TO SCALE

**SIGN LOCATIONS**

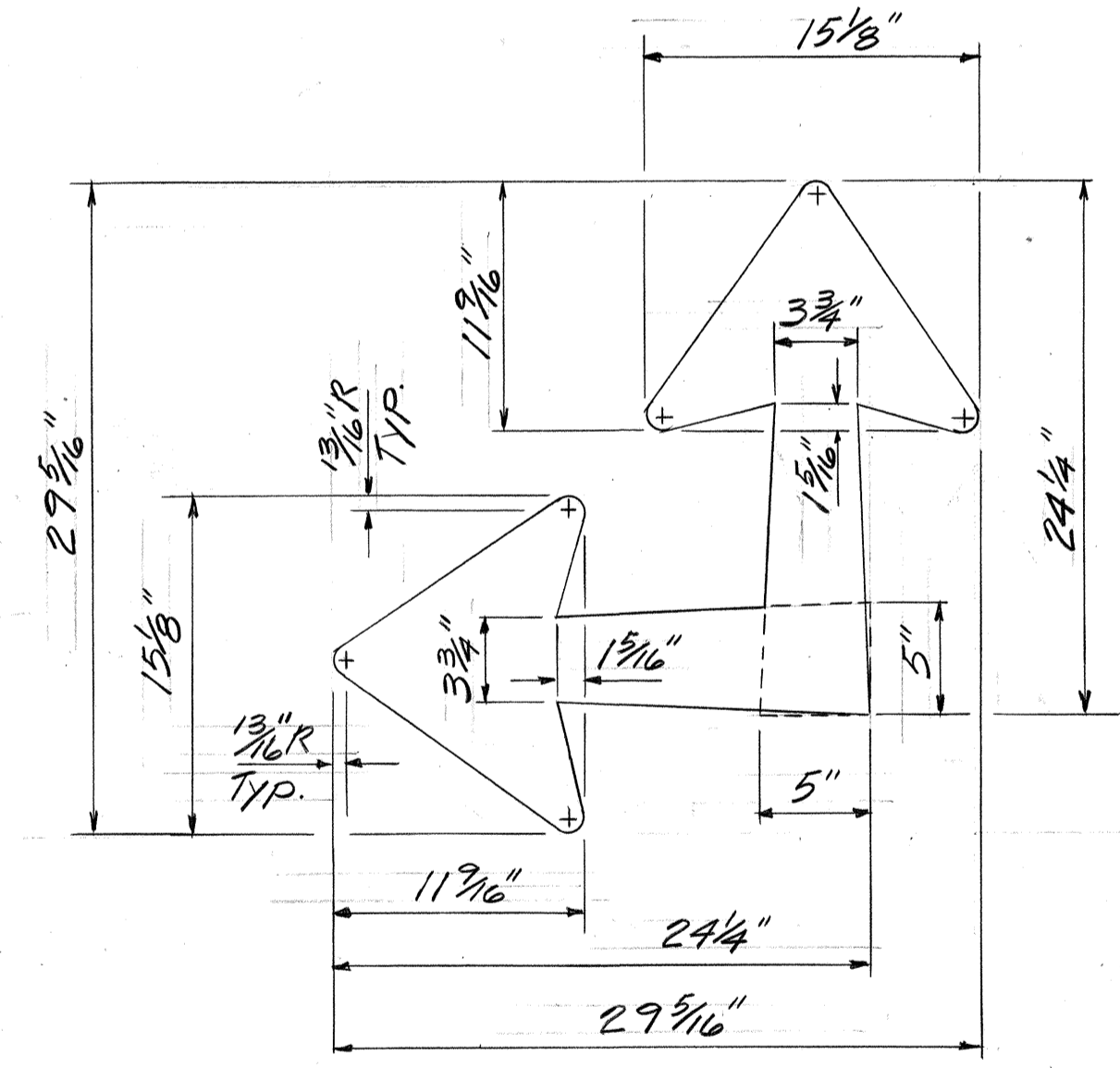
1. D-11 Mount under existing "Valkenburgh St." Sign Mauka Frontage Road Station 118+00 Lt.
2. D-12 Mount at Sta 64+00 Rt.
3. D-13 Mount on Right Post at Sign Bridge E-9 Makai Frontage Road Sta. 17+75.
4. D-14 Mount at Makai Frontage Road Sta. 40+50 Lt. Refer to Sht. No. G3 for Post and Footing Type and Size.
5. R3-4A Mount between Mauka Frontage Road and Ramp EK. Refer to Sht. No. 53.
6. MI-6(99) with M4-3 Locate as directed by Engineer. Refer to Sht. No. 57.



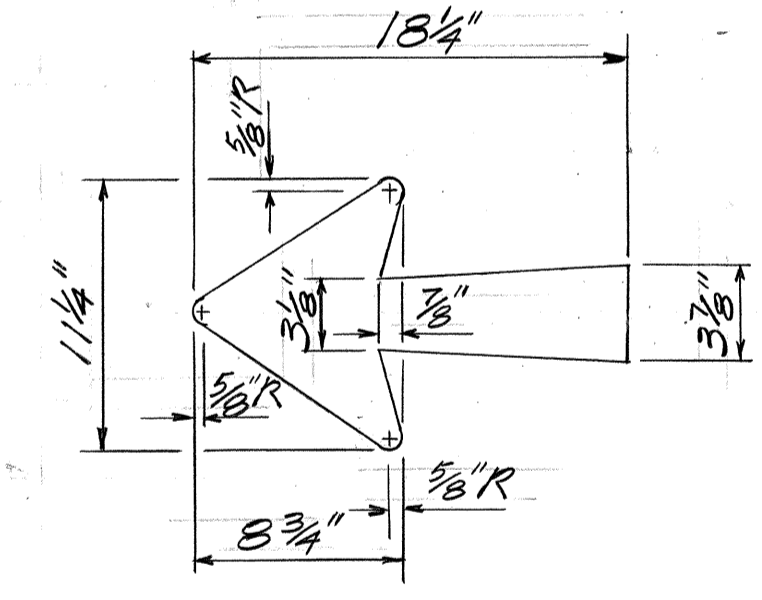
D-14  
SCALE: 1/2" = 1'-0"

**ADDITIONAL REGULATORY & ROUTE MARKER SIGNS**

- R3-4A
- R16-G
- R17-t
- MI-6(99) w/ M4-3



ARROW DETAILS  
SCALE: 1/2" = 1'-0"



SIGN QUANTITIES		163
621.0200	PANEL FOR DESTINATION SIGN	578 SQ. FT.
621.1200	GALVANIZED STEEL POST AND FOUNDATION FOR DESTINATION SIGN	4 EACH
621.5100	REGULATORY AND WARNING SIGN (NO SQ. FT. OR LESS) WITH POST	3 EACH
621.6100	TYPE A ROUTE MARKER ASSEMBLY	1 EACH

STATE OF HAWAII  
DEPARTMENT OF TRANSPORTATION  
LAND TRANSPORTATION FACILITIES DIVISION

**ADDITIONAL SIGNS**

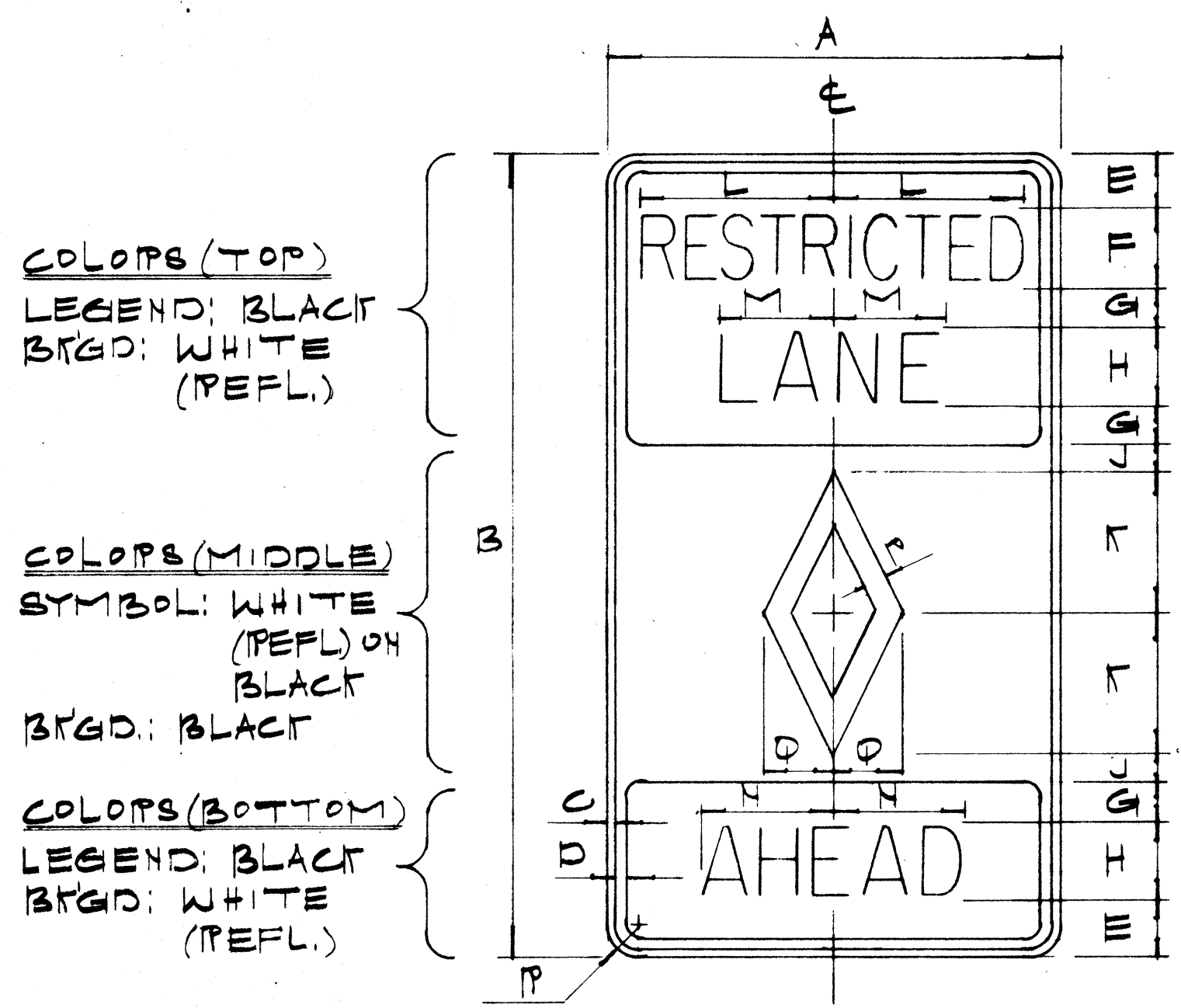
AIRPORT INTERCHANGE  
F.A. PROJ. NO. I-41-1(156)16

SCALE: AS SHOWN DATE: JUN. 12, 1979  
SHEET NO. OF SHEETS

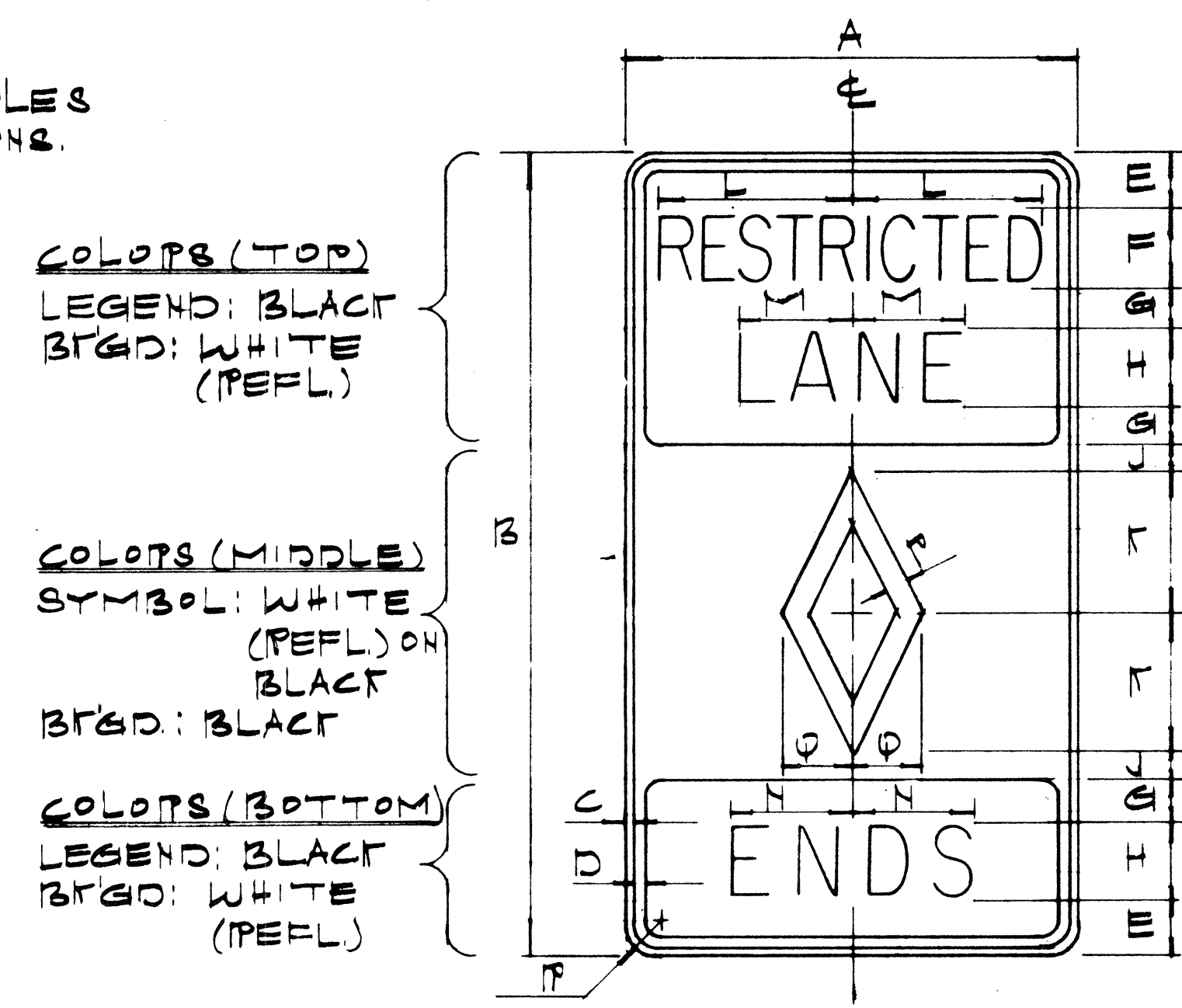
SURVEY PLOTTED BY	DATE
DRAWN BY	
DESIGNED BY	
QUANTITIES BY	
CHECKED BY	
ORIGINAL PLAN No.	

FED. ROAD DIST. NO.	STATE	FED. AID PROJ. NO.	FISCAL YEAR	SHEET NO.	TOTAL SHEETS
HAWAII	HAW.	1-11-1(159)16	1979	39	236

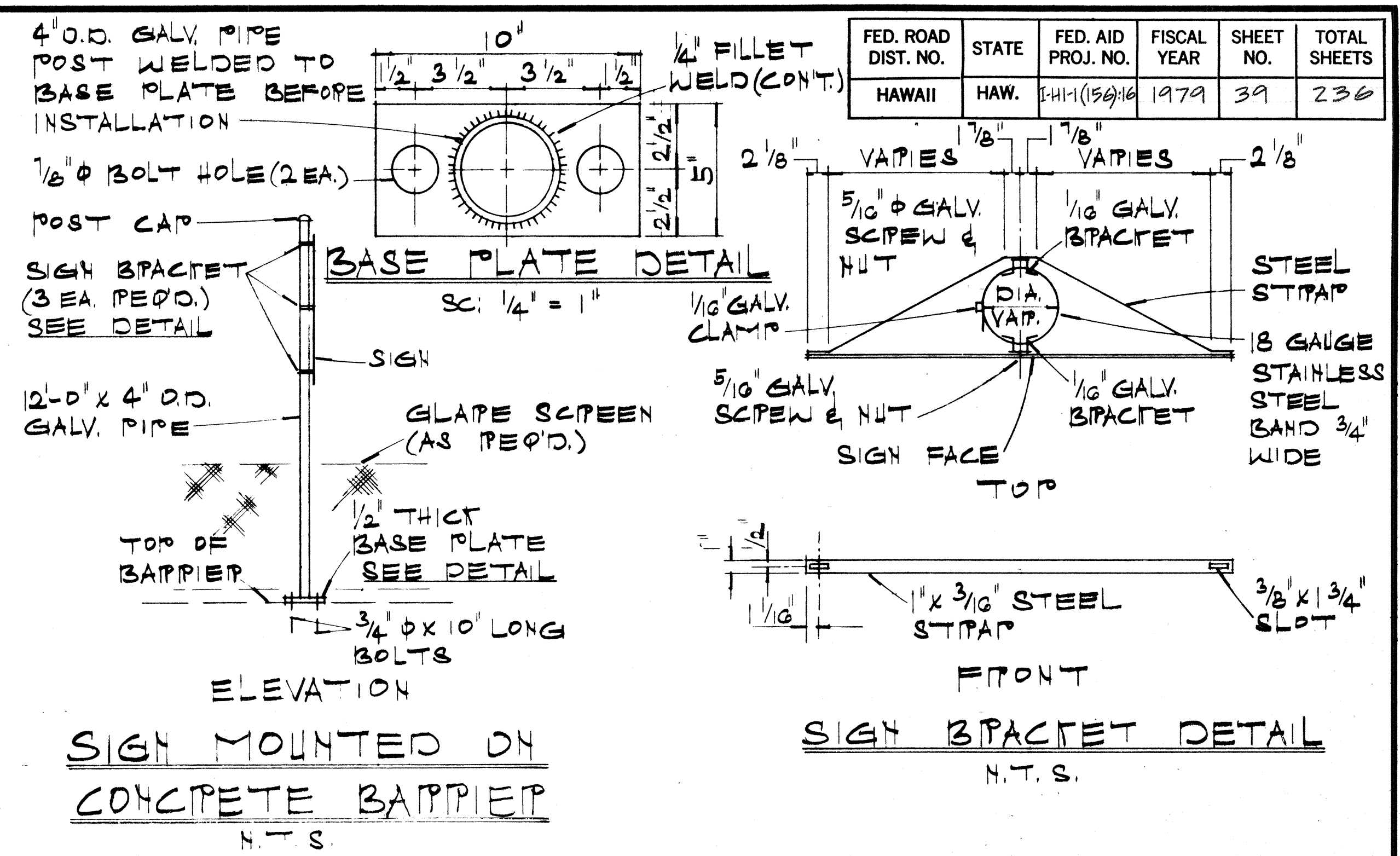
**NOTE:**  
DRILL 3/8" φ BOLT HOLES APPROPRIATE LOCATIONS.



P3-10



P3-12



SIGN MOUNTED ON CONCRETE BARRIER  
H.T.S.

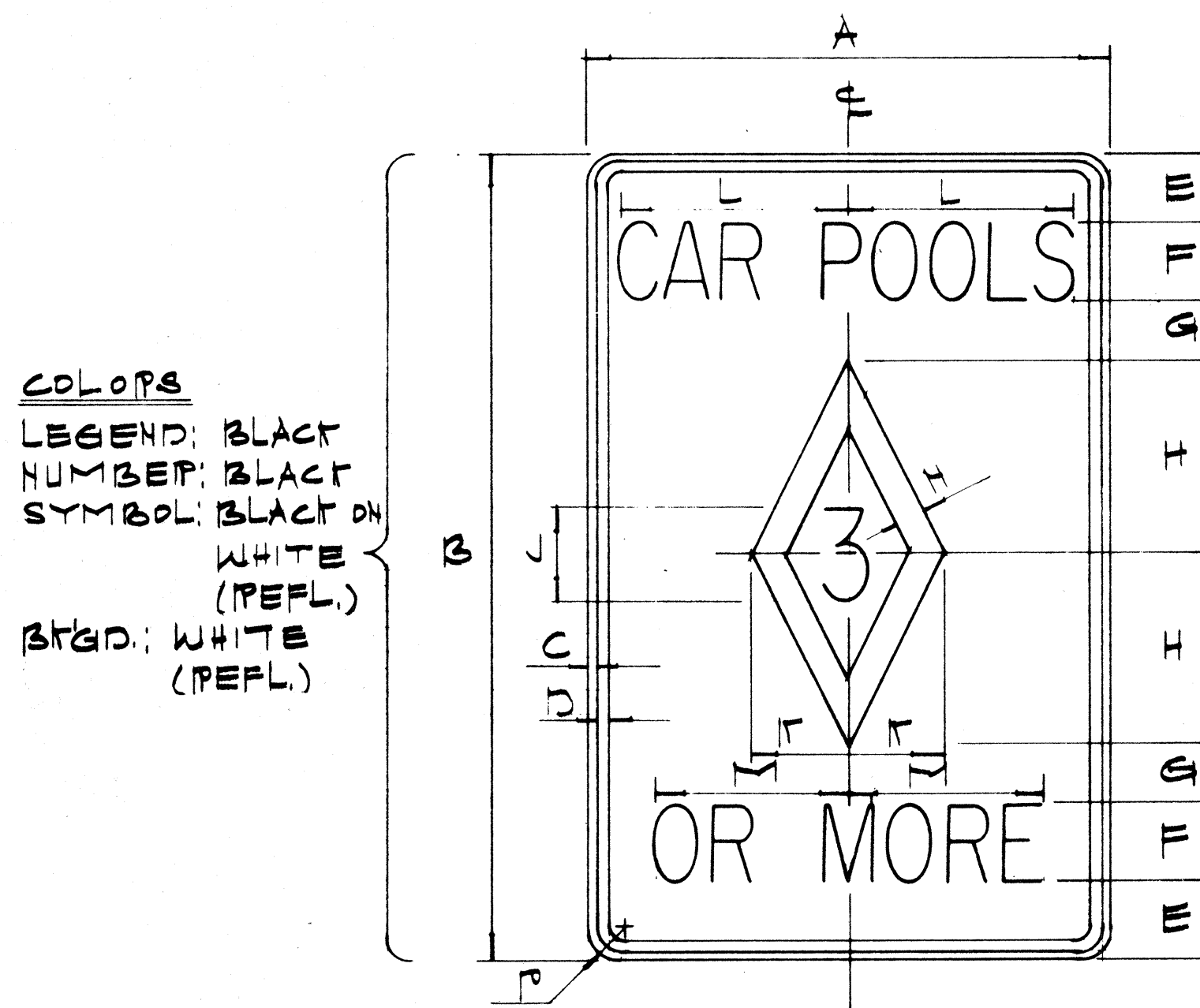
SIGN BRACKET DETAIL  
H.T.S.

SIGN	DIMENSIONS (INCHES)																
	A	B	C	D	E	F	G	H	J	K	L	M	N	P	φ	P	
P3-10	30	42	1/2	3/4	3/4	4B	2	4C	1 1/4	7 1/2	10 3/8	G	8 3/4	1 1/8	3 3/4	1 7/8	
P3-10-A	36	60	5/8	7/8	4 1/2	6B	3	6C	2	10	15 1/2	9	10 1/2	1 1/2	5	2 1/4	

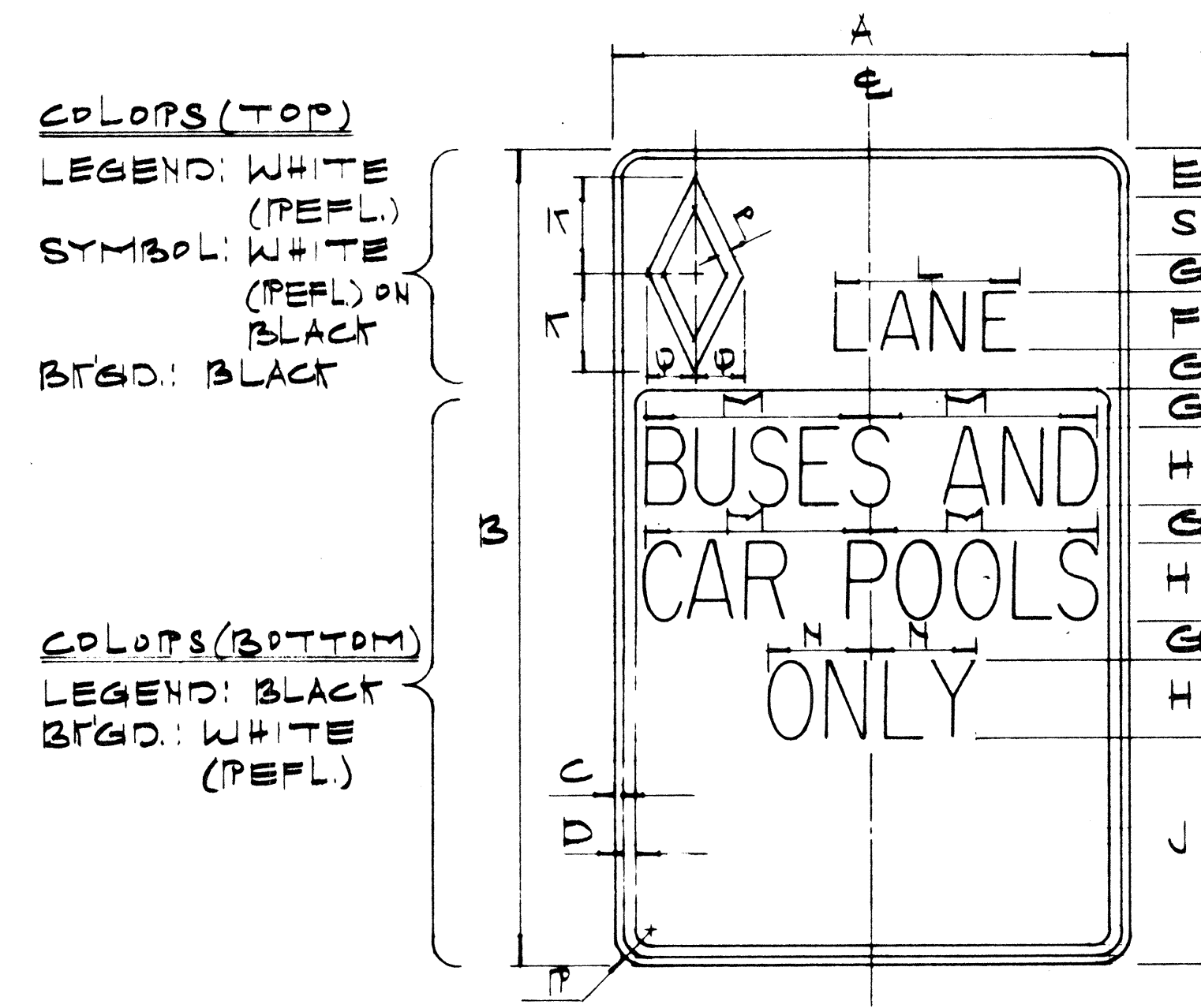
SIGN	DIMENSIONS (INCHES)																
	A	B	C	D	E	F	G	H	J	K	L	M	N	P	φ	P	
P3-12	30	42	1/2	3/4	3/4	4B	2	4C	1 1/4	7 1/2	10 3/8	G	8 3/4	1 1/8	3 3/4	1 7/8	
P3-12-A	36	60	5/8	7/8	4 1/2	6B	3	6C	2	10	15 1/2	9	10 1/2	1 1/2	5	2 1/4	

**GENERAL NOTES:**

- SIGN DETAILS SHALL CONFORM TO THE LATEST EDITION OF THE FOLLOWING FHWA PUBLICATIONS: "MANUAL ON UNIFORM TRAFFIC CONTROL DEVICES FOR STREETS & HIGHWAYS," "STANDARD HIGHWAY SIGNS," & "STANDARD ALPHABETS FOR HIGHWAY SIGNS."
- FOR ADDITIONAL DETAILS, SEE SHT. #DT 100.
- SIGN PANELS SHALL BE ONE CONTINUOUS SHEETS AND NO SPLICING WILL BE ALLOWED.



P3-16



P3-17

ALTERNATE MESSAGE	SPACE	P3-17		P3-17-A	
		SERIES	DIM.	SERIES	DIM.
LEFT	S	3"D	8 7/8"	4"D	11 3/4"
CONED	S	3"D	12 1/2"	4"D	16 3/4"
SIGNED	S	3"D	13 3/4"	4"D	18 1/2"
WHEN CONED	J	4"B	24"	6"B	36 3/4"
WHEN SIGNED	J	4"B	24"	6"B	38 3/4"
24 HRS	J	4"C	17 1/2"	6"C	27"
6-8:30 AM		2"C		3"C	
3:30-5:30 PM	J	2"C		3"C	
EXCEPT SAT SUN & HOL		1"C		2"C	

**NOTE:**  
ALL ALTERNATE MESSAGES SHALL BE VISUALLY CENTERED WITHIN AREAS AS SPECIFIED.

\*INSERT ALTERNATE MESSAGE (SEE SCHEDULE)

SIGN	DIMENSIONS (INCHES)																
	A	B	C	D	E	F	G	H	J	K	L	M	N	P	φ	P	
P3-16	30	42	1/2	3/4	4	4C	3	10	5C	5	12	10 1/4	1 1/2	1 7/8			
P3-16-A	42	60	5/8	7/8	5	6C	4	15	8D	7 1/2	18	16	2	2 1/4			

SIGN	DIMENSIONS (INCHES)																
	A	B	C	D	E	F	G	H	J	K	L	M	N	P	φ	P	
P3-17	30	42	1/2	3/4	2 1/2	3D	2	4C	1 1/2	5	9 5/8	12	5 1/2	3/4	2 1/2	1 7/8	
P3-17-A	42	60	5/8	7/8	4	4D	3	6C	15	7 1/2	12 3/4	18	8 1/4	1 1/8	3 3/4	2 1/4	

STATE OF HAWAII  
DEPARTMENT OF TRANSPORTATION  
HIGHWAYS DIVISION

**TYPICAL DETAILS**  
**BUS-CAR POOL SIGNS**

NOT TO SCALE JAN. 1979  
SHEET NO. 39 OF 11 SHEETS

ORIGINAL PLAN  
DATE  
SURVEY PLOTTED BY  
DRAWN BY  
DESIGNED BY  
QUANTITIES BY  
CHECKED BY