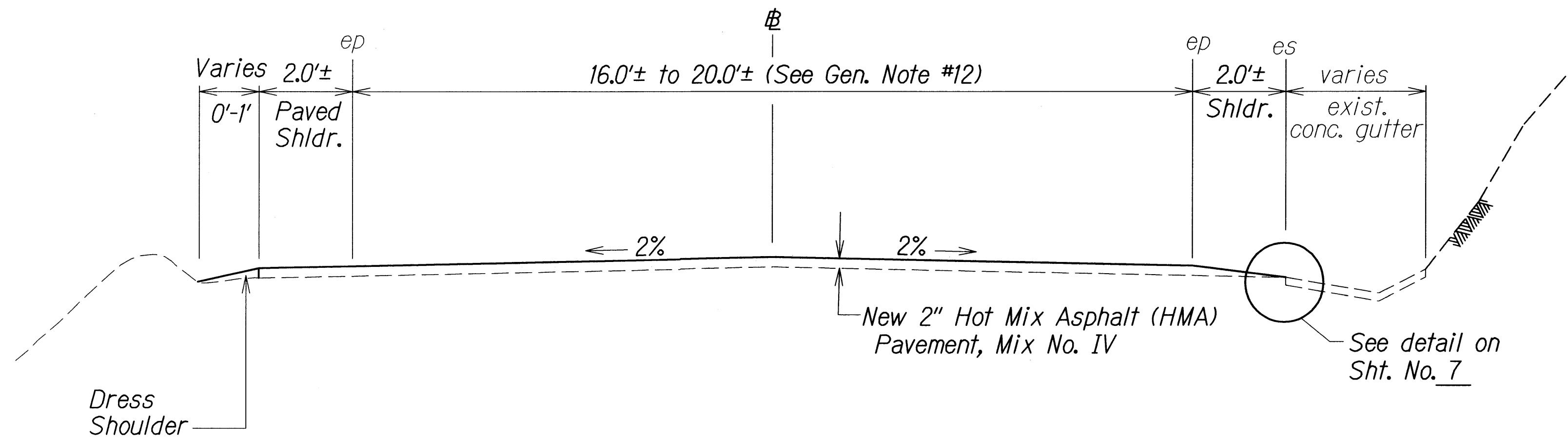
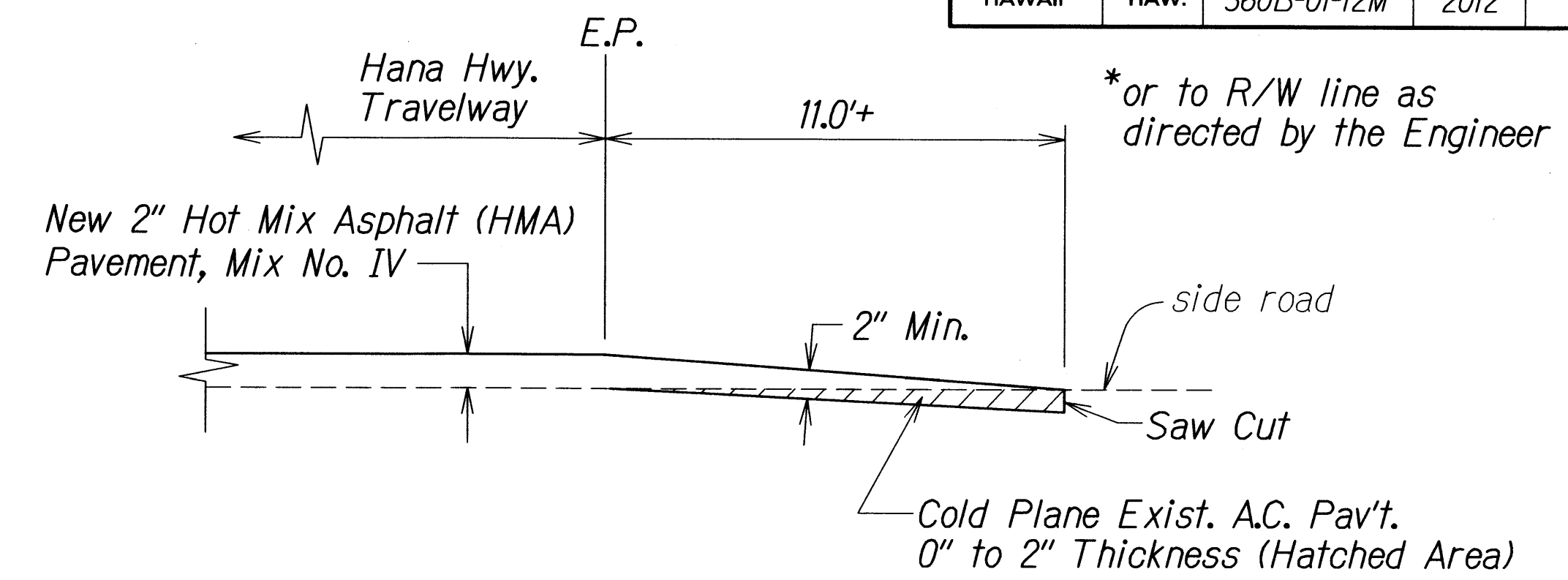


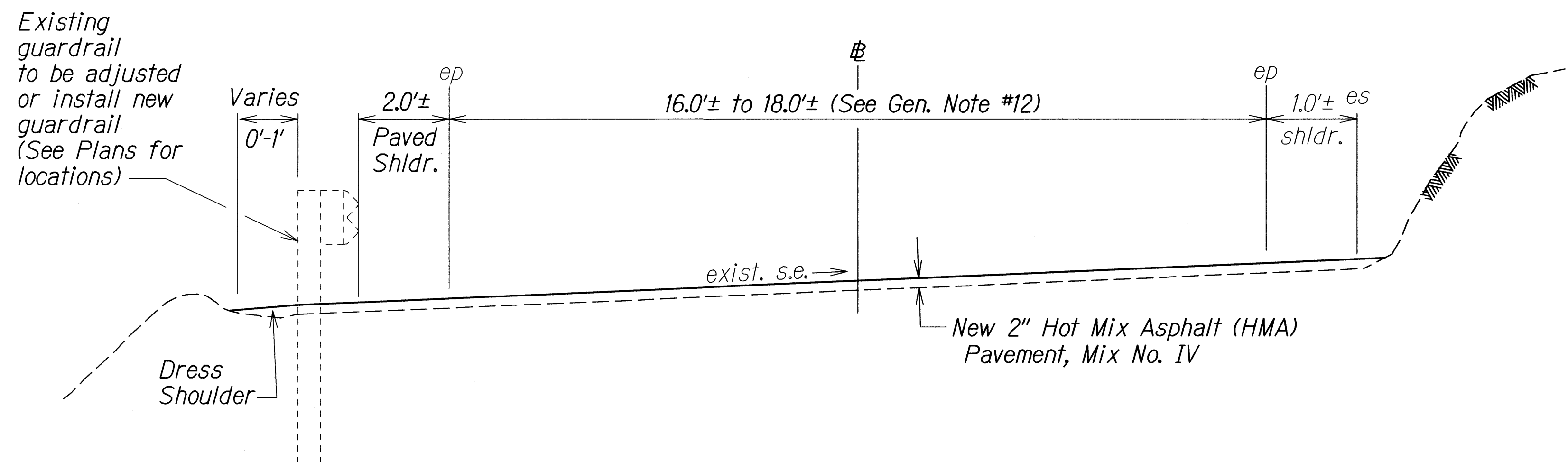
FED. ROAD DIST. NO.	STATE	PROJ. NO.	FISCAL YEAR	SHEET NO.	TOTAL SHEETS
HAWAII	HAW.	360B-01-12M	2012	6	31



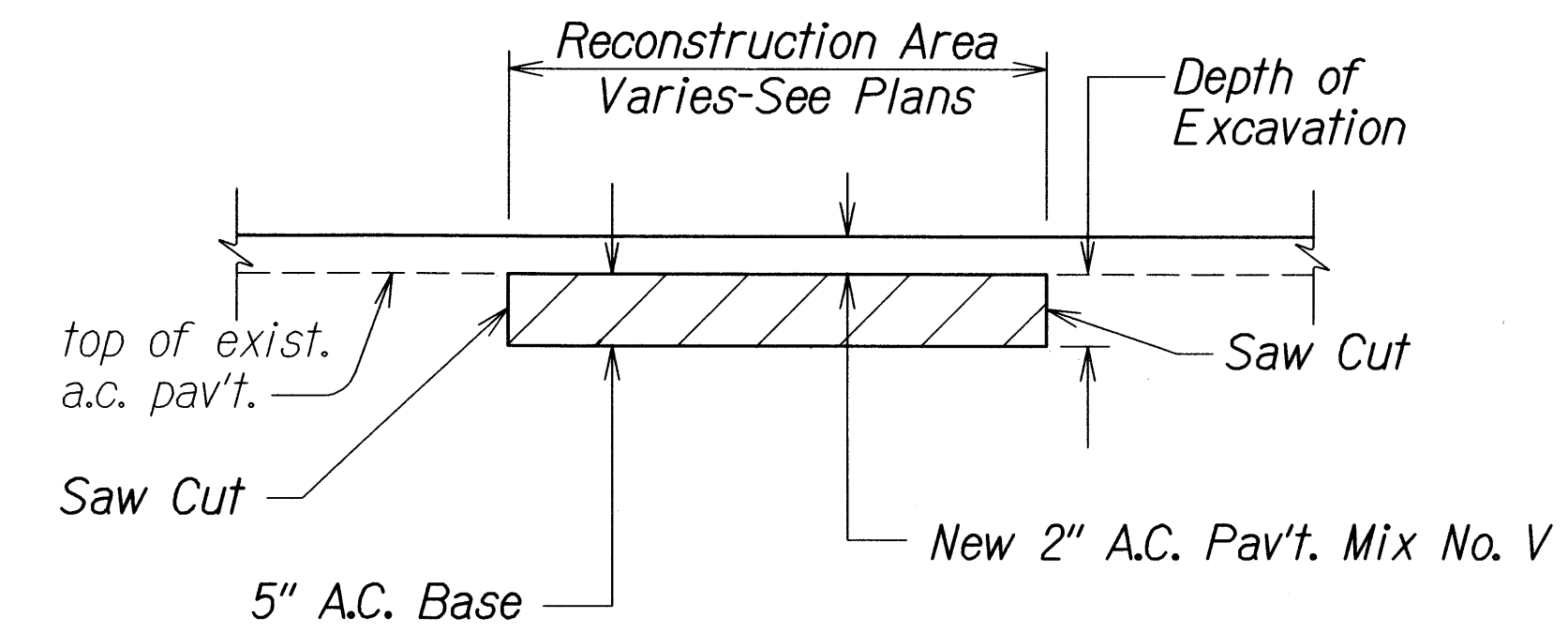
TYPICAL TANGENT SECTION
Scale: 1/2" = 1'-0"



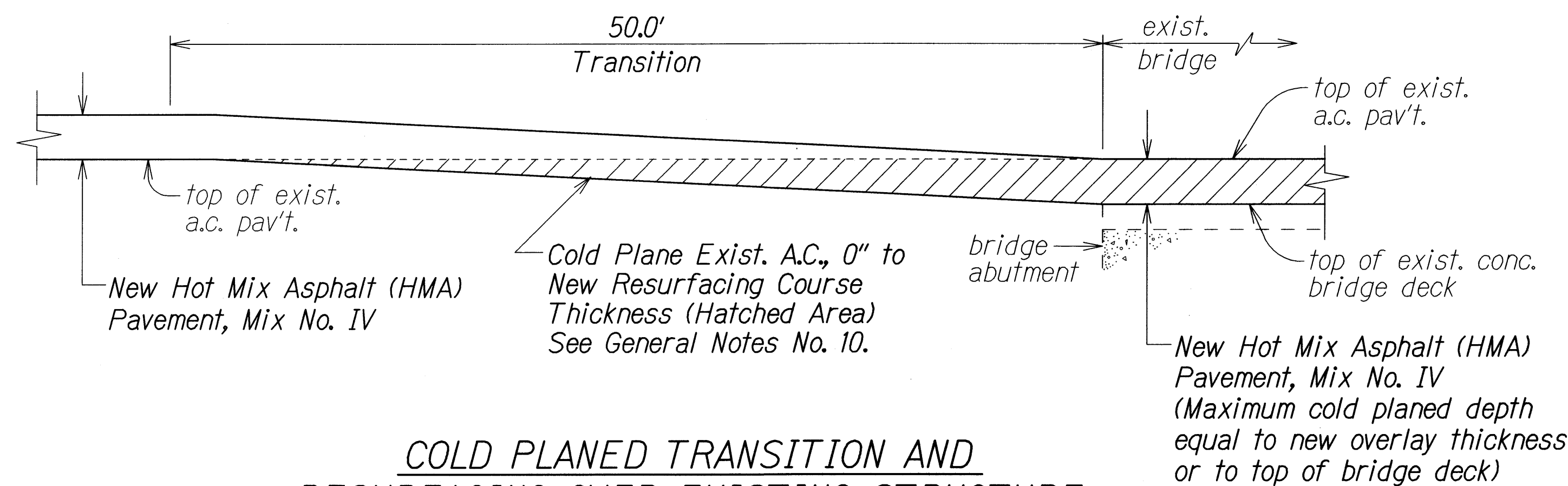
SIDE ROAD PAVING TRANSITION DETAIL
Not To Scale



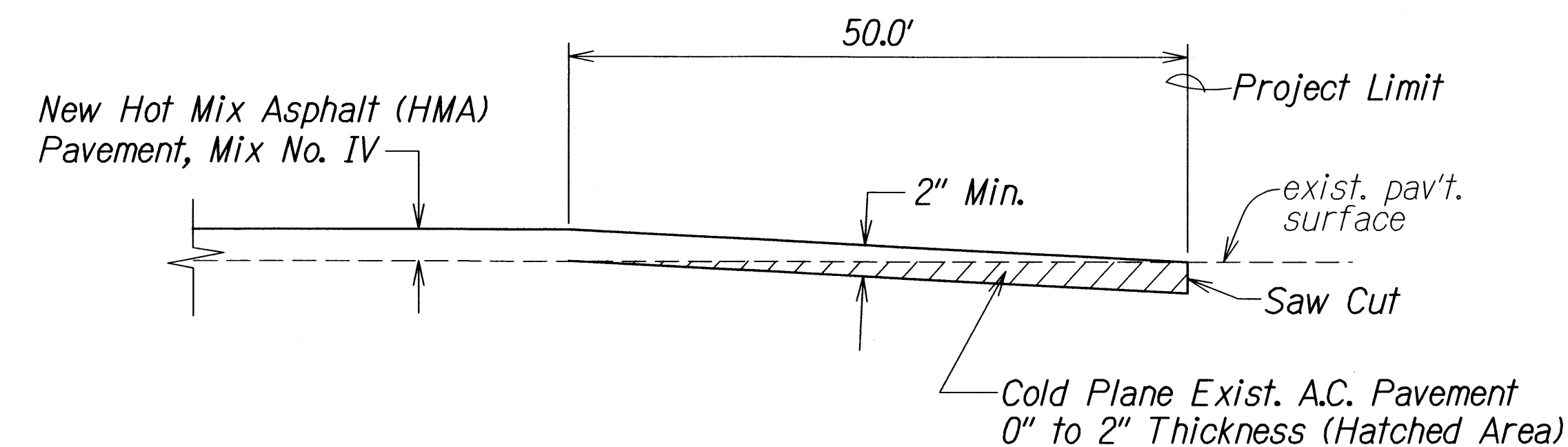
TYPICAL SUPERELEVATED SECTION
Scale: 1/2" = 1'-0"



A.C. PAVEMENT RECONSTRUCTION DETAIL
Not To Scale



COLD PLANED TRANSITION AND RESURFACING OVER EXISTING STRUCTURE
Not to Scale



PAVEMENT TRANSITION DETAIL BEGIN & END PROJECT
Not to Scale

DATE	02/08
DESIGNED BY	...
CHECKED BY	...
...	...

STATE OF HAWAII
DEPARTMENT OF TRANSPORTATION
HIGHWAYS DIVISION

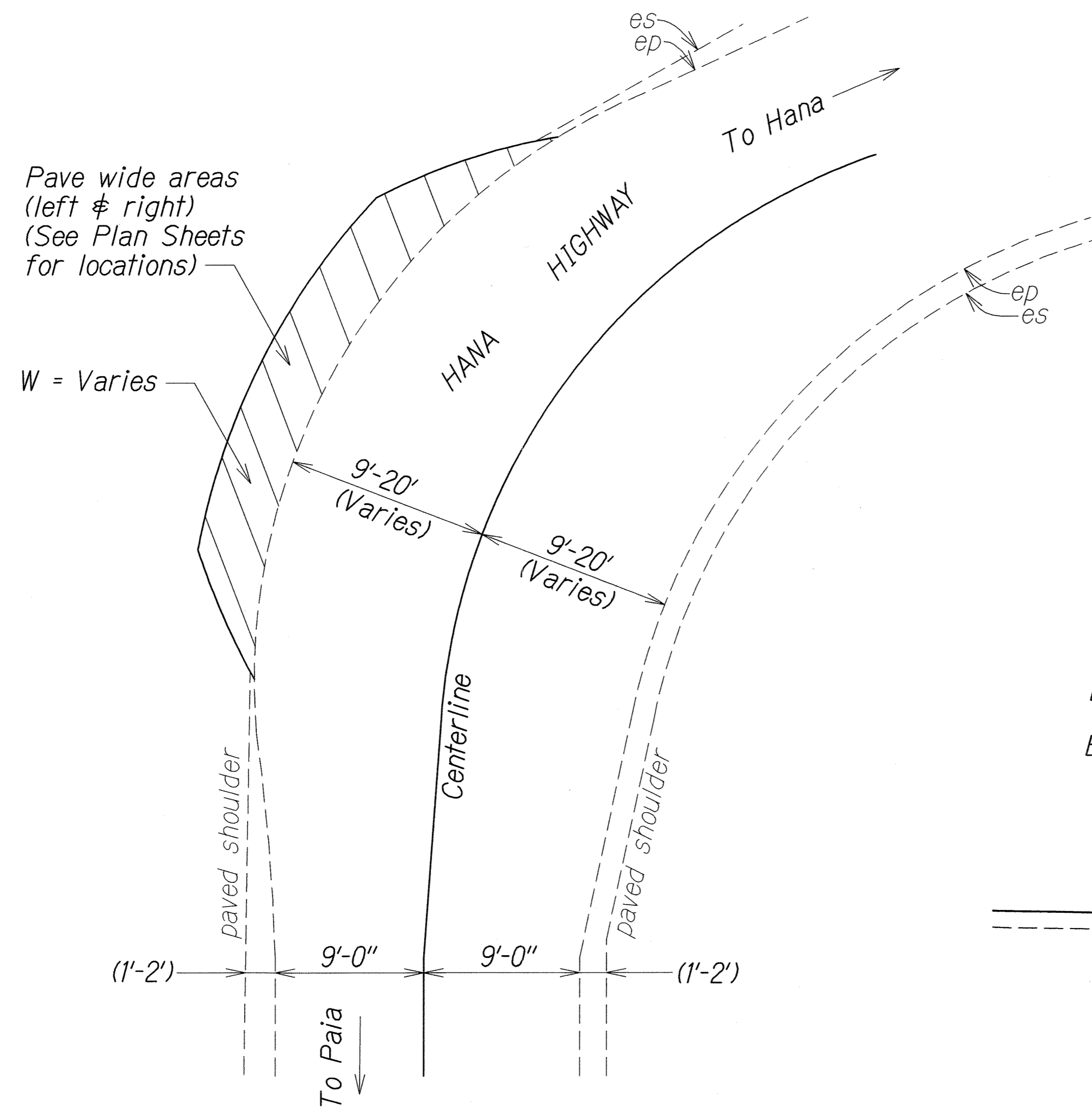
TYPICAL SECTIONS & DETAILS

HANA HIGHWAY RESURFACING
Vicinity of Waikani Bridge to Kapaula Bridge
Project No. 360B-01-12M

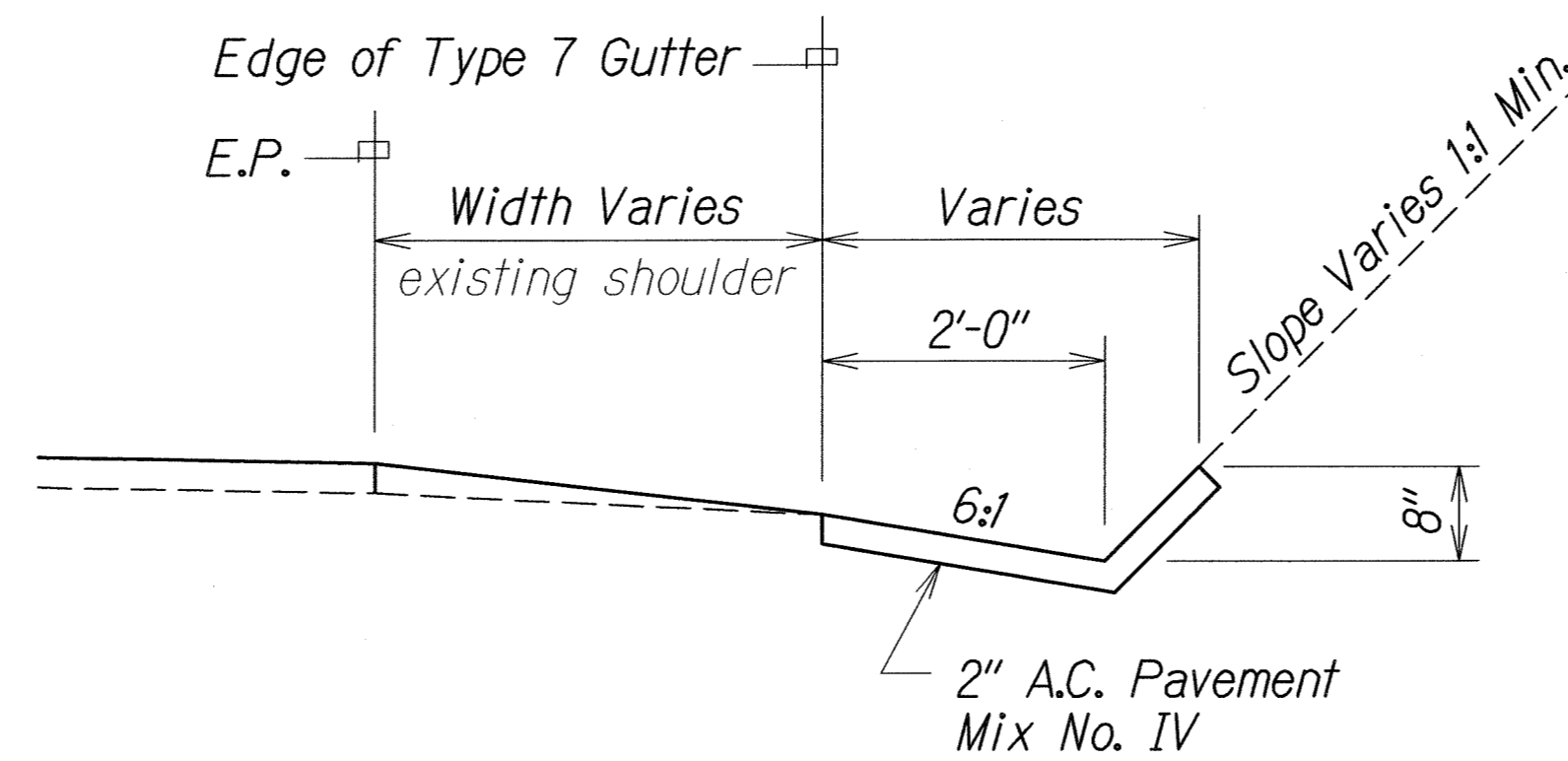
Scale: As Shown Date: December, 2011

SHEET No. 1 OF 2 SHEETS

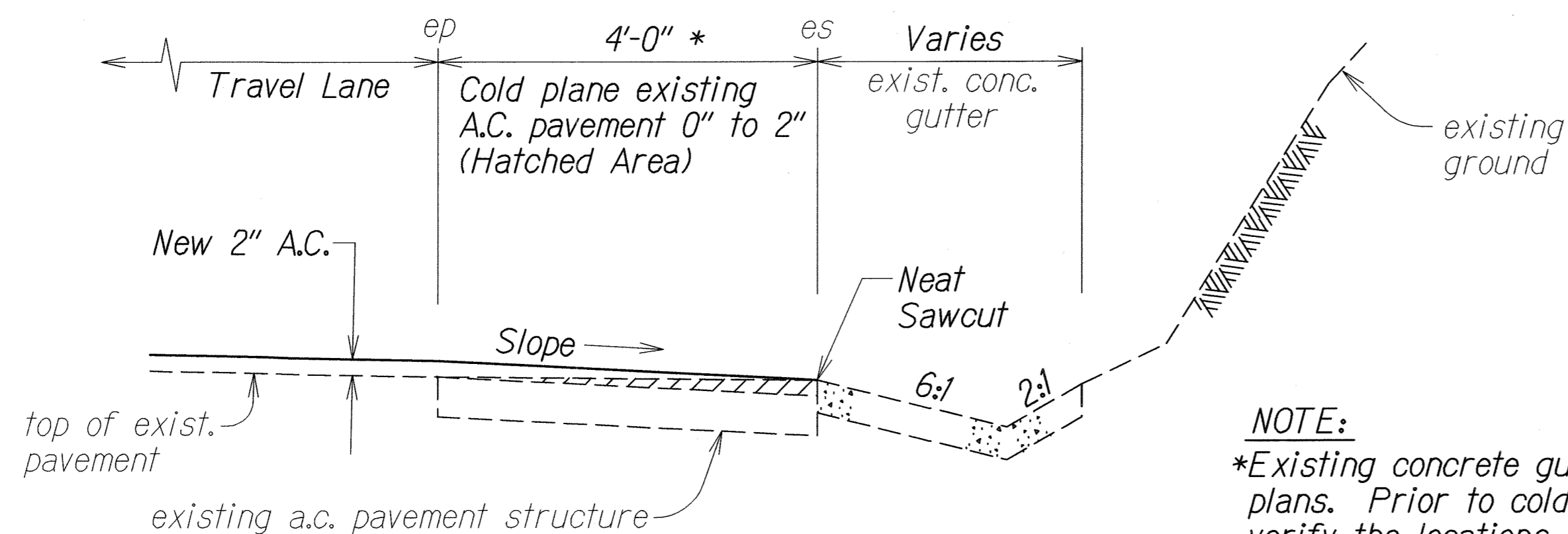
FED. ROAD DIST. NO.	STATE	PROJ. NO.	FISCAL YEAR	SHEET NO.	TOTAL SHEETS
HAWAII	HAW.	360B-01-12M	2012	ADD.7	31



TYPICAL DETAIL FOR PAVE WIDE AREAS
Not To Scale

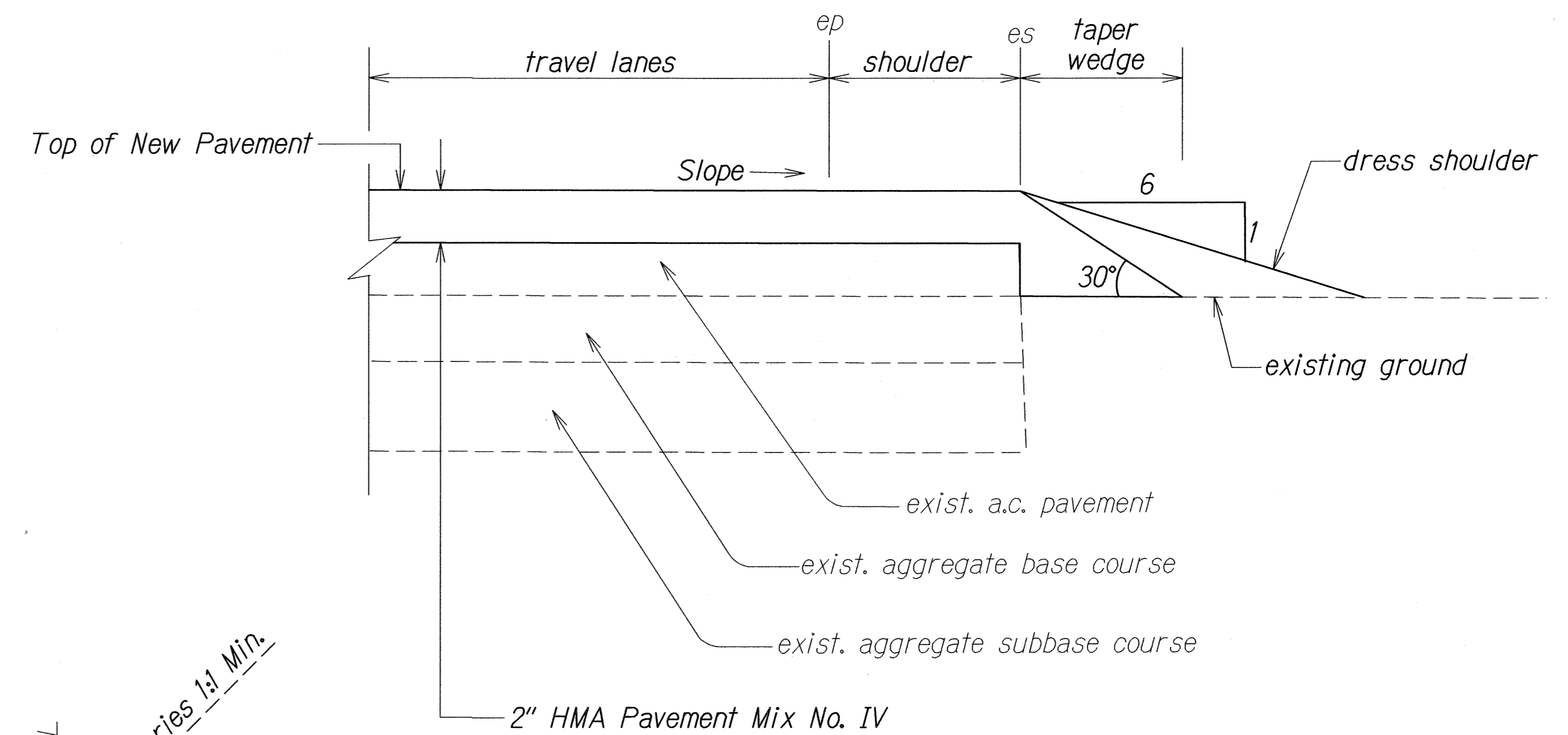


TYPICAL DETAIL OF TYPE 7 GUTTER
(STA. 949+25± RT. - STA. 954+00 RT.)
(STA. 955+40± RT. - STA. 959+00 RT.)
Scale: 3/4" = 1'-0"



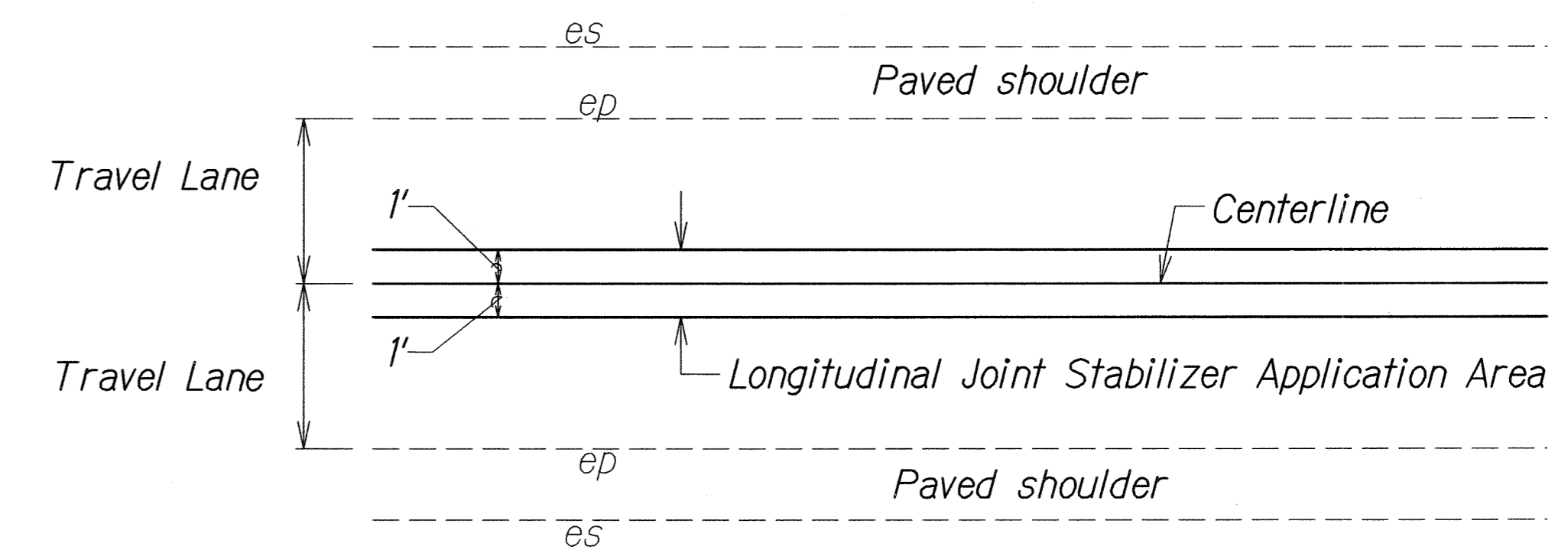
COLD PLANED AT EXISTING CONCRETE GUTTER
Scale: 3/4" = 1'-0"

NOTE:
*Existing concrete gutter is not shown on the plans. Prior to cold planing, Engineer shall verify the locations on the field.



Note: Contractor shall mount a device directly on the paver screed extension to provide a 30° beveled shoulder edge, as required.

TYPICAL PAVEMENT EDGE DETAIL
(FOR OVERLAYING PROJECT)
Not To Scale



TYPICAL SECTION FOR LONGITUDINAL JOINT STABILIZER
Not To Scale

DATE	BY
DESIGNED BY	CHECKED BY
QUANTITIES BY	
TRACED BY	
PLANNED BY	
DATE	

3-12-12 Add Typical Section for Longitudinal Joint Stabilizer.

DATE REVISION

STATE OF HAWAII
DEPARTMENT OF TRANSPORTATION
HIGHWAYS DIVISION

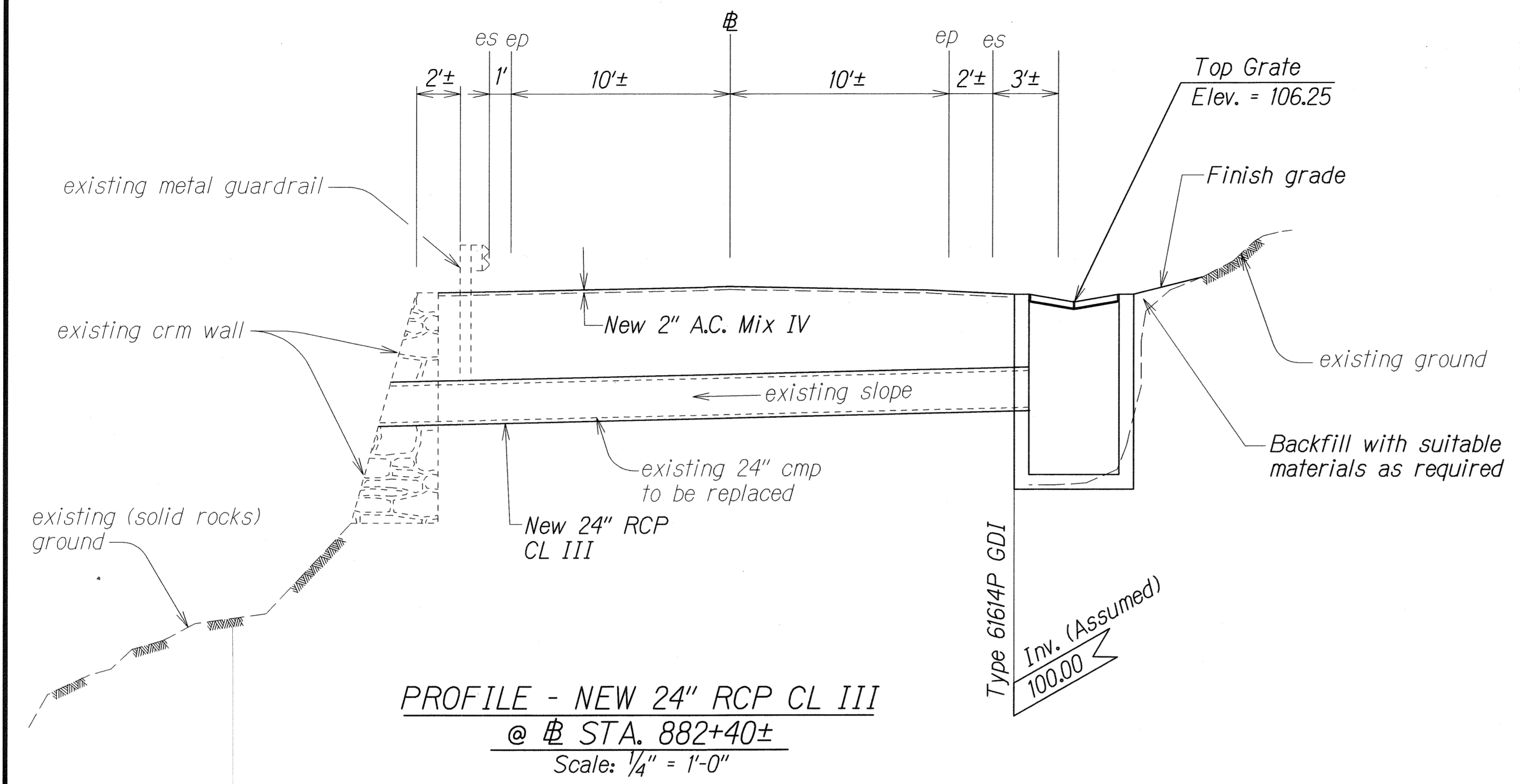
TYPICAL SECTIONS & DETAILS

HANA HIGHWAY RESURFACING
Vicinity of Waikani Bridge to Kapaula Bridge
Project No. 360B-01-12M

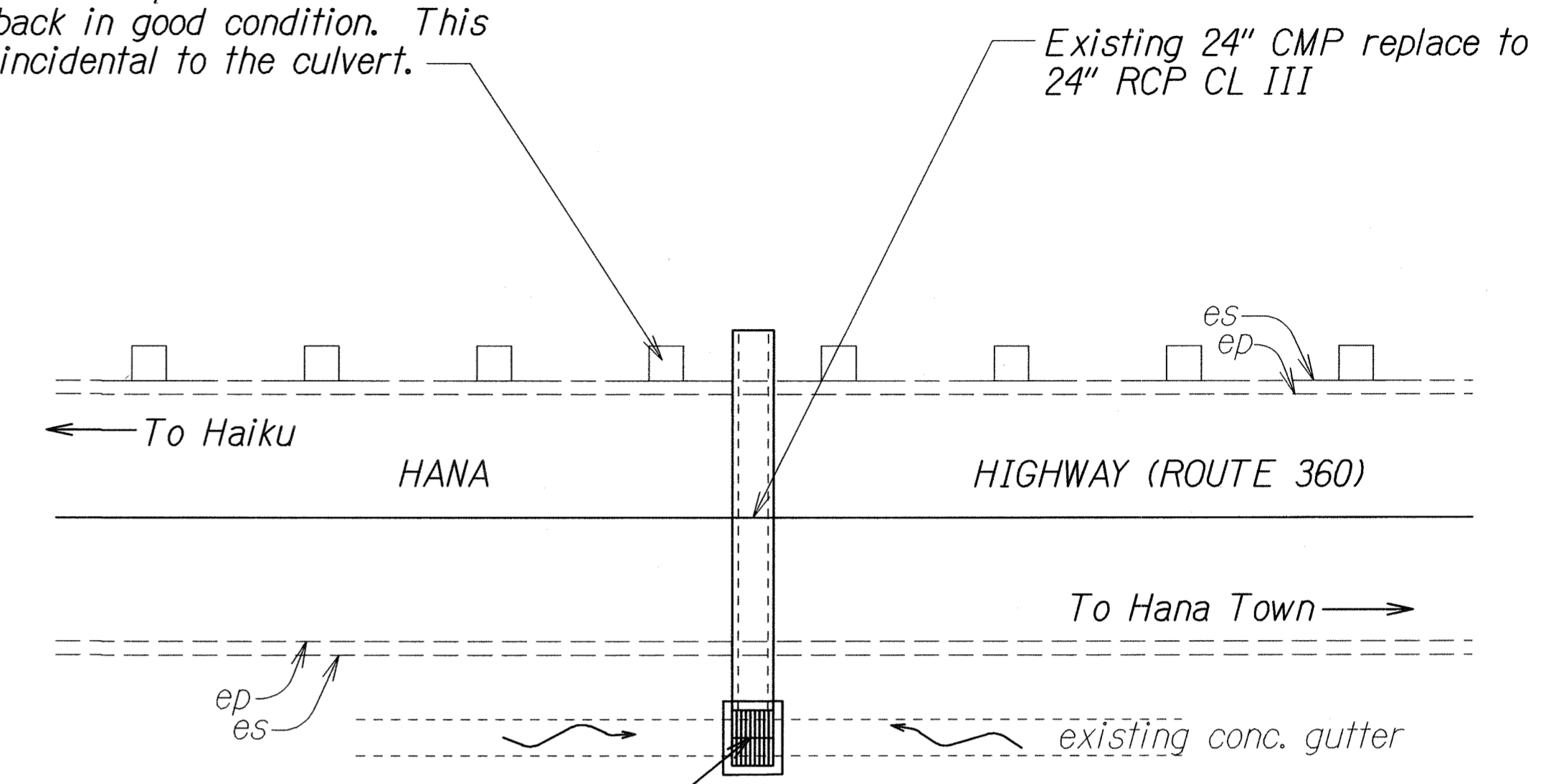
Scale: As Shown Date: December, 2011

SHEET No. 2 OF 2 SHEETS

FED. ROAD DIST. NO.	STATE	PROJ. NO.	FISCAL YEAR	SHEET NO.	TOTAL SHEETS
HAWAII	HAW.	360B-01-12M	2012	ADD.7S-1	31



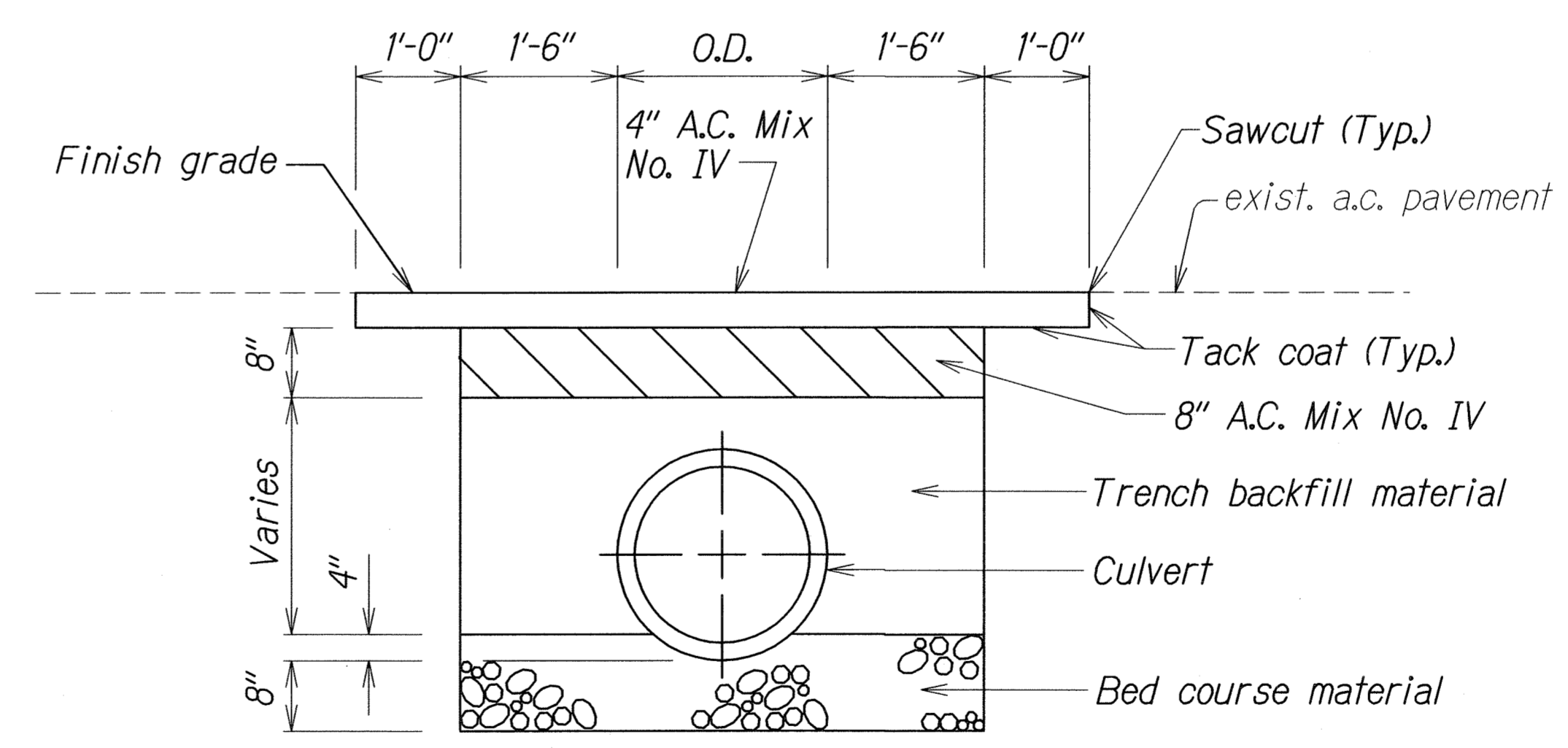
Existing guardrail shall be temporarily removed (disturb area) prior to construction and install it back in good condition. This work shall be incidental to the culvert.



STA. 882+40± RT. O/S = 13±
 Type 61614P GDI (6.00 Ft. to 6.99 Ft.)
 Top Grate Elev. = 106.25
 Inv. Elev. = 100 (Assumed)
 Additional reinforcing (For Std. Plan H-14)

NOTE:
 Structure excavation bed course and culvert trench restoration of existing pavement structure shall be incidental to installation of culvert item.

NOTE:
 Disturb or damaged CRM wall upon constructing of this item shall be replaced with good condition. This work shall be incidental to culvert item.



3-28-12 Add Typical Section for Drainage pipe.

DATE REVISION

STATE OF HAWAII
 DEPARTMENT OF TRANSPORTATION
 HIGHWAYS DIVISION

DRAINAGE DETAILS

HANA HIGHWAY RESURFACING
 Vicinity of Waikani Bridge to Kapaula Bridge
 Project No. 360B-01-12M

Scale: As Shown Date: March, 2012

ORIGINAL PLAN	DATE
SURVEY PLOTTED BY	
TRACED BY	
DESIGNED BY	
QUANTITIES BY	
CHECKED BY	