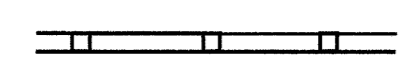

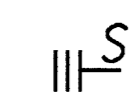
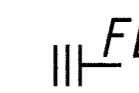
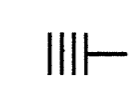


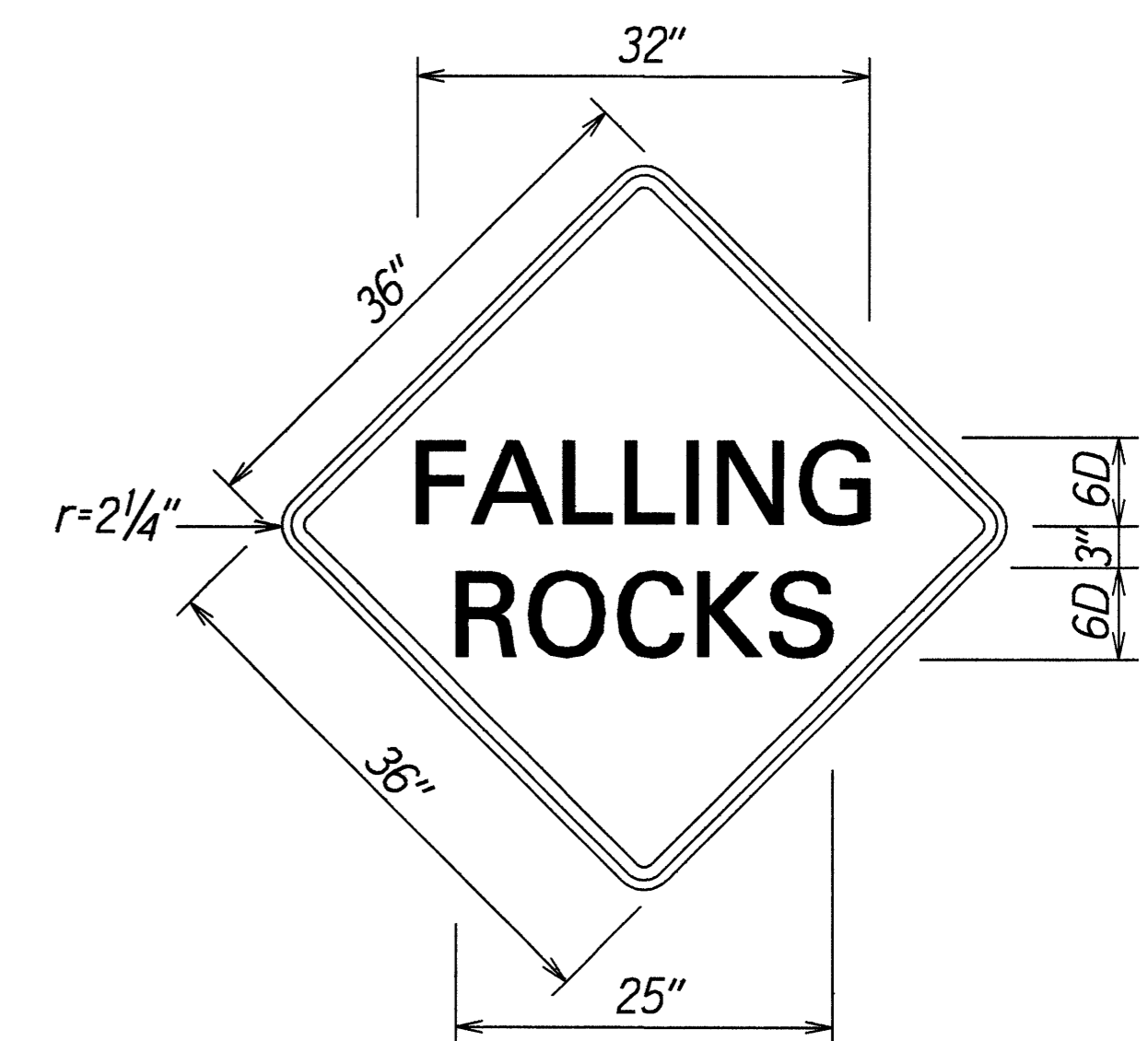
FED. ROAD DIST. NO.	STATE	PROJ. NO.	FISCAL YEAR	SHEET NO.	TOTAL SHEETS
HAWAII	HAW.	360B-01-95M	1995	14	43

**LEGEND**

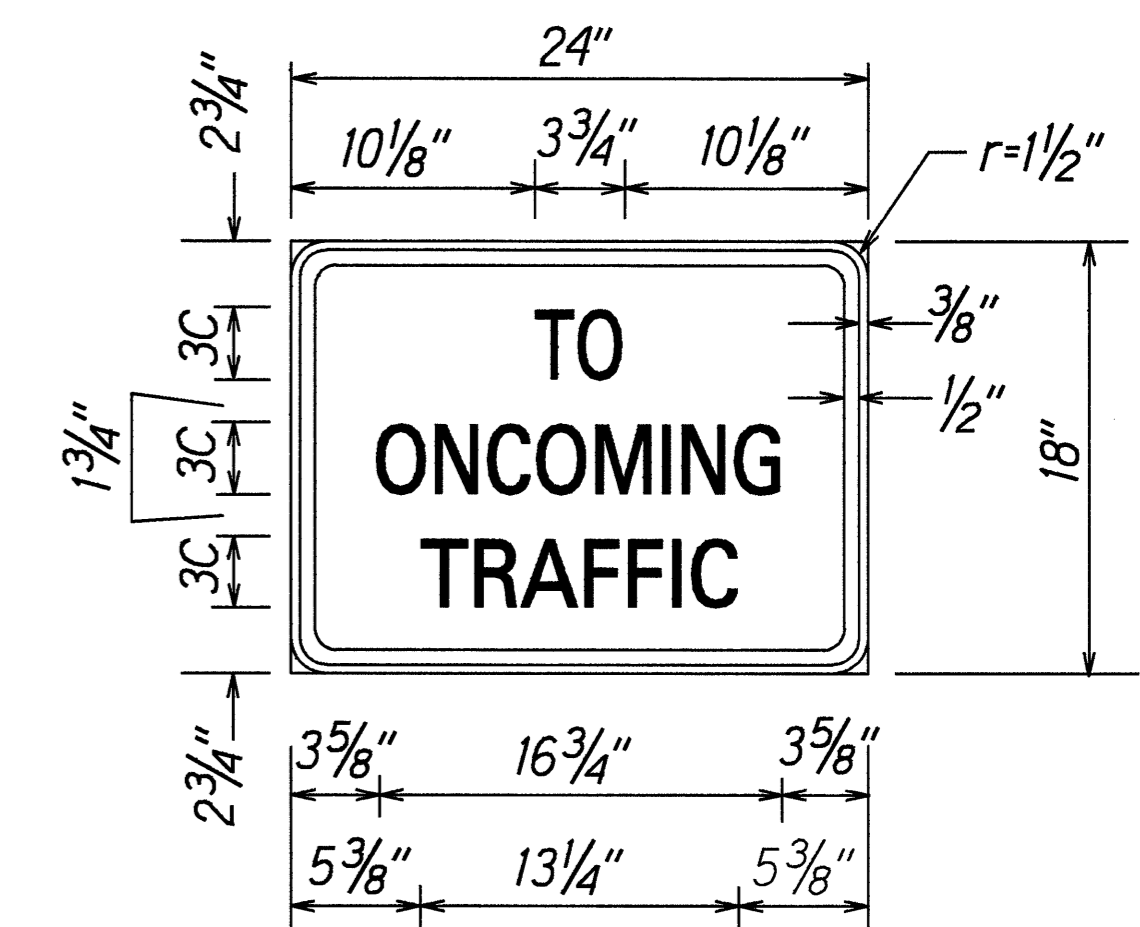
-  4" Double Solid Yellow with Type D Raised Pavement Markers @ 20' - 0" o.c. (Thermoplastic Extrusion)
-  4" or 8" White Edge Stripe with Type C Raised Pavement Markers @ 40' - 0" o.c. (Thermoplastic Extrusion)
-  RM-3 Reflector Marker w/Steel Post
-  RM-3 Reflector Marker w/Type B Flexible Post
-  RM-4 Reflector Marker w/Steel Post

**NOTES**

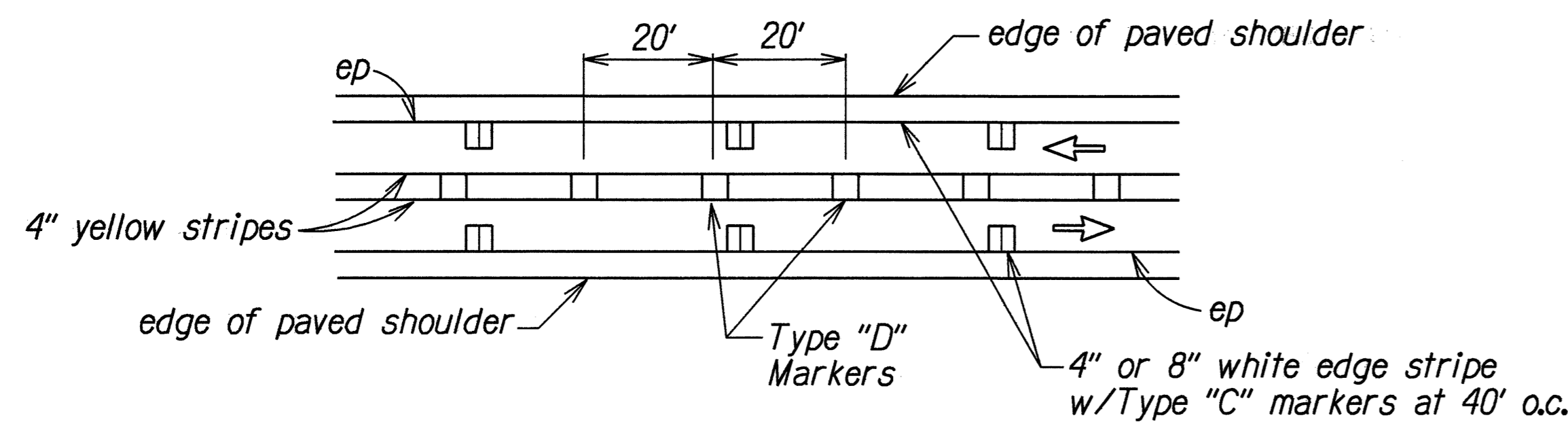
1. Layout of pavement markings and striping shall be done by the Contractor and approved by the Engineer prior to any installation work.
2. Existing pavement markings not incorporated in the final traffic pattern shall be removed as directed by the Engineer. Costs shall be incidental to the various pavement marking items.
3. Centerline striping shall be 4" double yellow with Type D Markers at 20' O.C., unless noted otherwise.
4. Final locations of all signs shall be approved by the Engineer prior to any installation work.
5. Existing signs not shown on these plans shall remain as posted unless otherwise directed by the Engineer. Removal and disposal of existing signs and/or posts as designated on these plans shall be incidental to the various signing items.
6. Final locations of all Stop Lines shall be approved by the Engineer prior to installation.
7. All pavement striping shall be as noted on the Legend or plans.
8. Backing for all new Regulatory and Warning Signs shall not be spliced.
9. Interstate Route Marker Symbols shall conform to details shown on the plans and as specified in the MUTCD.
10. All sign panels shall conform to Section 621 of the Special Provisions and the latest editions and amendments of the following FHWA publications:
  - a. "Manual on Uniform Traffic Control Devices for Streets and Highways" (MUTCD)
  - b. "Standard Highway Signs"
  - c. "Standard Alphabets for Highway Signs"
11. Borders, messages, arrows, symbols and shields shall conform to details as shown on the plans and as specified in the MUTCD.
12. Sign messages shall be as indicated on the plan.
13. Removal of existing delineators and posts shall be considered incidental to the various signing items.



W15-3  
Scale: 1"=1'-0"



RSP-1  
Scale: 1 1/2"=1'-0"



**TYPICAL PAVEMENT MARKERS AND STRIPING DETAIL**

Not To Scale

ORIGINAL PLAN	DATE
SURVEY PLOTTED BY	1/28/95
DRAWN BY	B. Achi
TRACED BY	K. KUNISHIRO
QUANTITIES BY	
CHECKED BY	
NO. SHEETS	

STATE OF HAWAII  
DEPARTMENT OF TRANSPORTATION  
HIGHWAYS DIVISION

**PAVEMENT MARKING & SIGNING**  
**LEGEND, DETAILS & NOTES**

HANA HIGHWAY RESURFACING  
Waikani Bridge to Kapaula Bridge  
Project No. 360B-01-95M

Scale: As noted Date: Jan., 1995

SHEET No. 11 OF 10 SHEETS