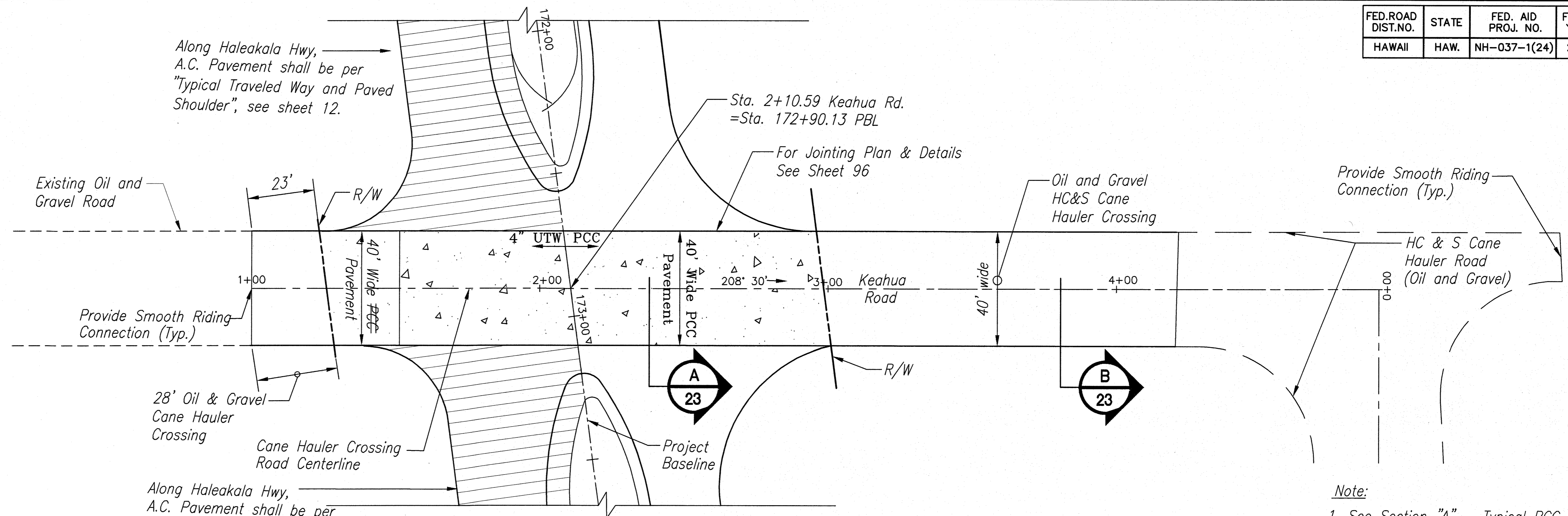


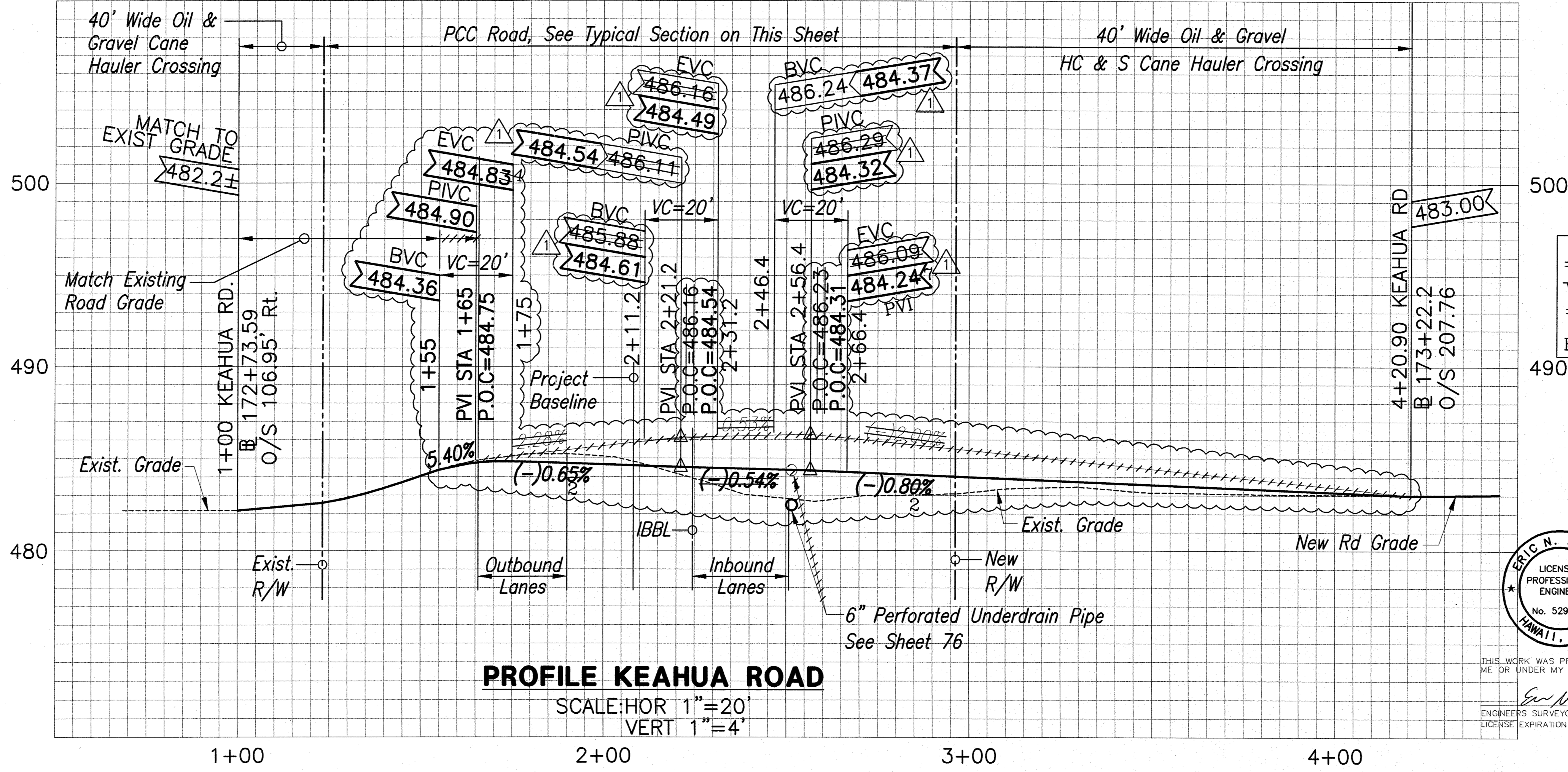
FED. ROAD DIST. NO.	STATE	FED. AID PROJ. NO.	FISCAL YEAR	SHEET NO.	TOTAL SHEETS
HAWAII	HAW.	NH-037-1(24)	2005	60	288



PLAN - CANE HAULER CROSSING

SCALE: 1" = 20'

- Note:**
1. See Section "A" - Typical PCC Road Section, Cane Hauler Crossing, Sheet 23.
 2. See Section "B" - Typical 40' Wide Oil & Gravel HC&S Cane Hauler Crossing, Sheet 23.
 3. Haleakala Baseline Sta. 173+00±, Intersection at Keahua Road, see Geometric Layout No. 10, Sheet 28. See Electrical Drawings for Traffic Signals.

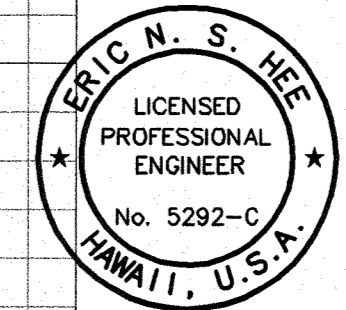


PROFILE KEAHUA ROAD

SCALE: HOR 1" = 20'
VERT 1" = 4'

LEGEND FOR AS-BUILT POSTINGS

	Squiggly line for as-built deletion
	Double line for as-built deletion
	Roadway Text for as-built posting



THIS WORK WAS PREPARED BY ME OR UNDER MY SUPERVISION.
Eric N. S. Hee
ENGINEERS SURVEYORS HAWAII, INC.
LICENSE EXPIRATION DATE: 4/30/08

5/8/07	△	REVISED GRADES & SLOPE
DATE		REVISION
STATE OF HAWAII DEPARTMENT OF TRANSPORTATION HIGHWAYS DIVISION		
PLAN AND PROFILE KEAHUA ROAD		
HALEAKALA HIGHWAY WIDENING, PHASE 2 HANA HIGHWAY TO PUKALANI BYPASS FED. AID PROJ. NO. NH-037-1(24)		
SCALE: AS NOTED	DATE: SEP., 2005	
SHEET No. 11 OF 11 SHEETS		

SURVEY PLOTTED BY: _____ DATE: _____
 DESIGNED BY: _____
 CHECKED BY: _____
 NOTE BOOK: _____
 No. _____
 11/28/07 11:41 AM Engineering Projects\1194\1194-037-Haleakala Hwy Phase 2 - AS-BUILT\1194\1194-037-Haleakala Hwy Phase 2 - AS-BUILT.dwg, Nov 25 2009 - 6:33pm