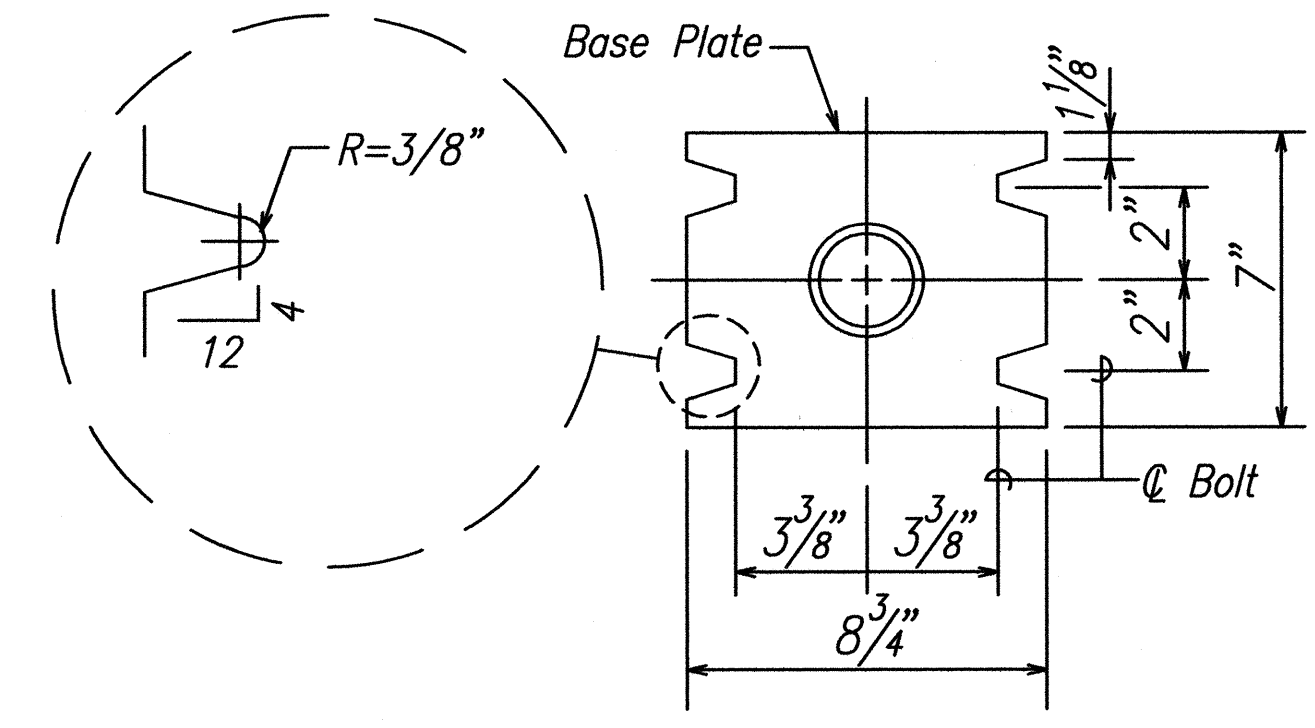


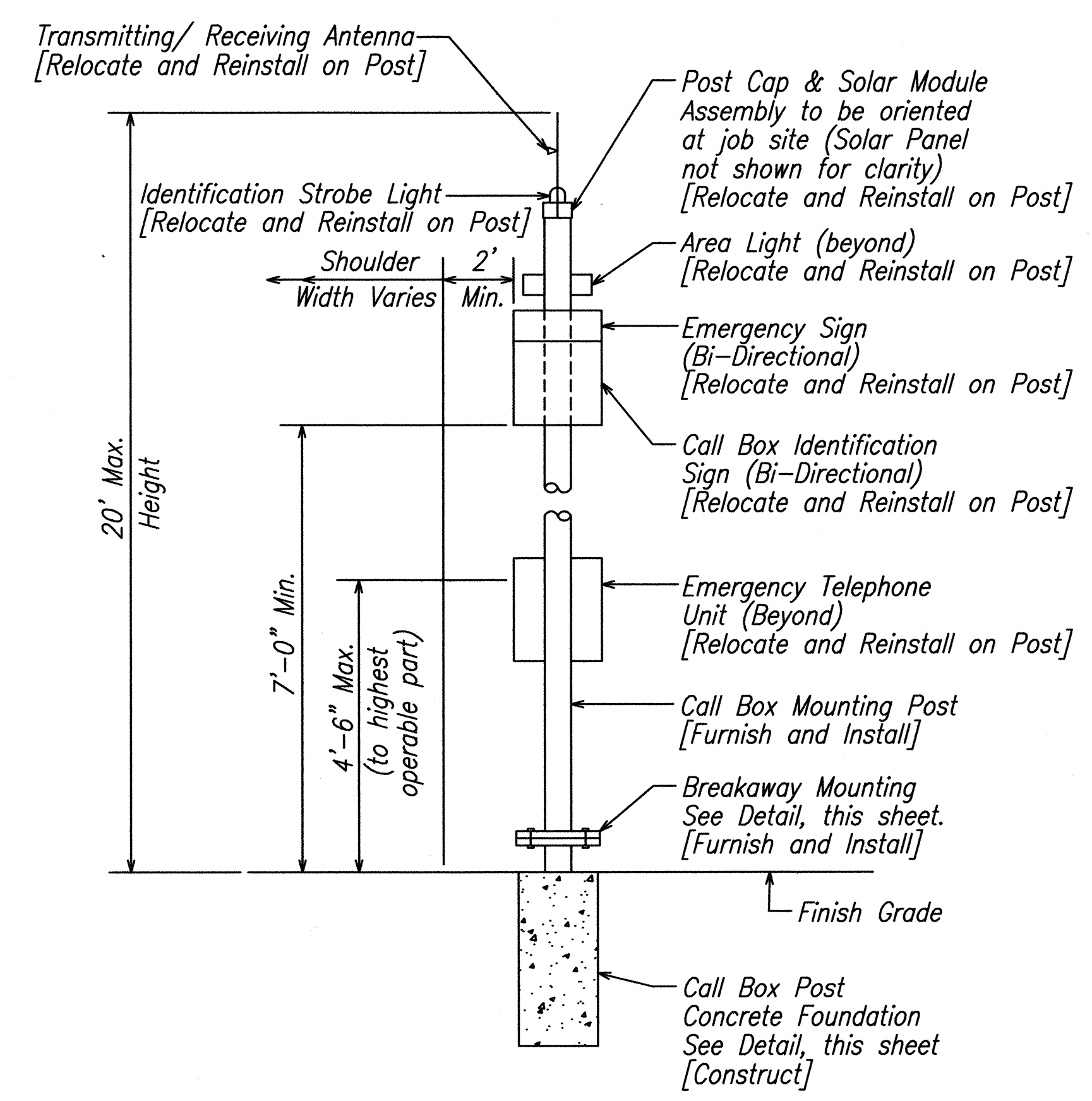
FED. ROAD DIST. NO.	STATE	FED. AID PROJ. NO.	FISCAL YEAR	SHEET NO.	TOTAL SHEETS
HAWAII	HAW.	NH-037-1(24)	2005	95	288

GENERAL NOTES:

1. Walkways from pedestrian pad to edge of shoulder shall not exceed a maximum slope of 20:1.
2. Wiring between Solar Panel and Antenna to the Call Box shall be pulled into the Post and shall be shielded, grounded cable.



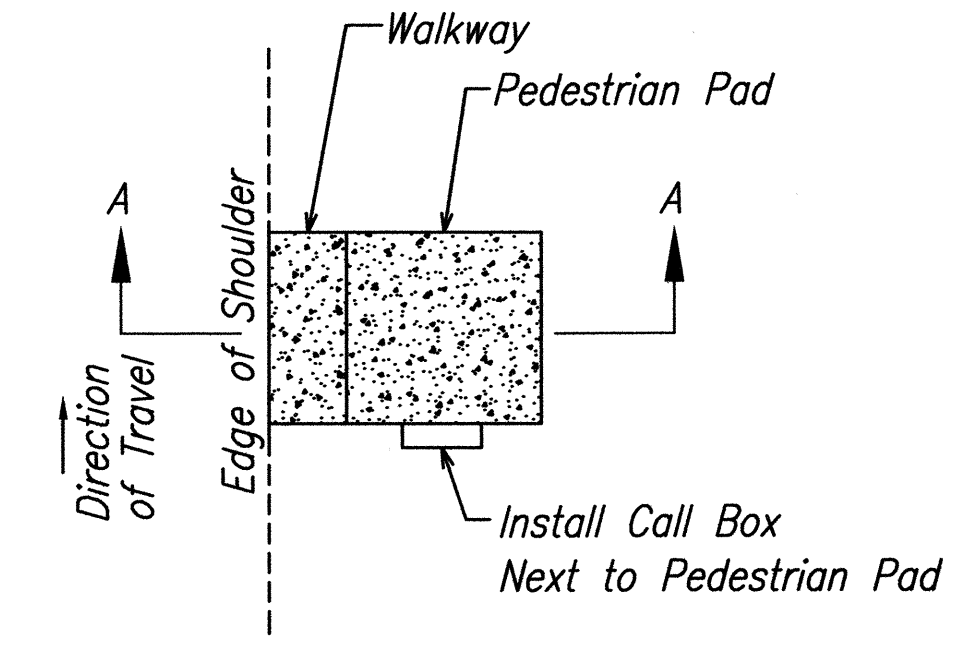
SECTION C



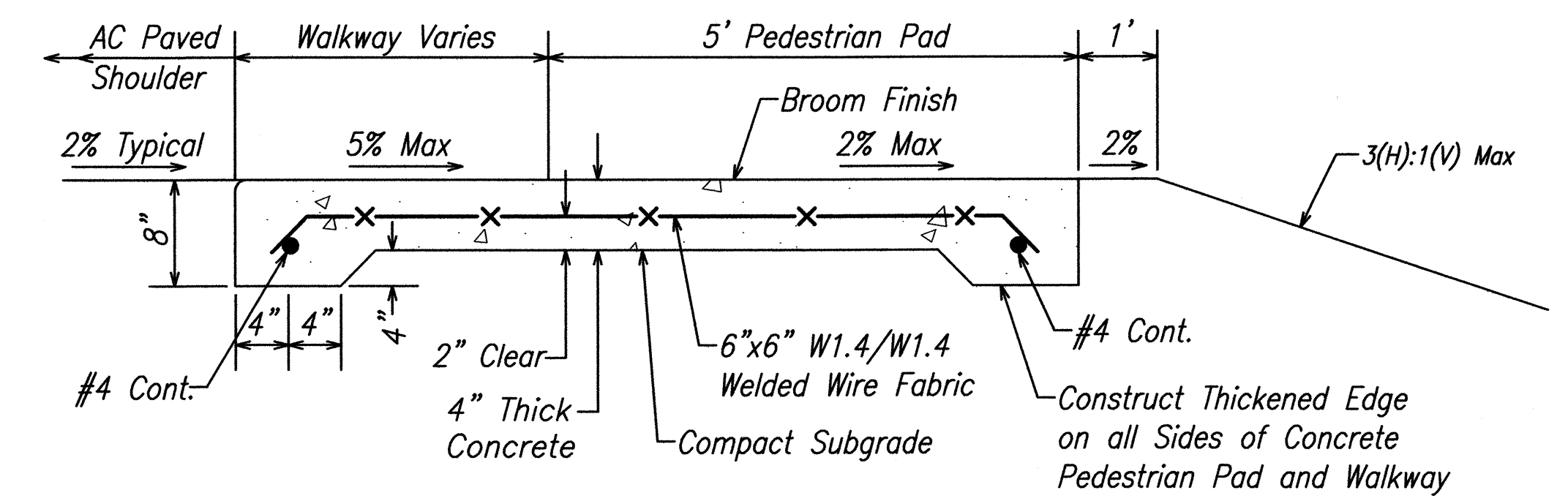
TYPICAL RELOCATED EMERGENCY TELEPHONE INSTALLATION
NOT TO SCALE

NOTES:

1. Foundation shall be Class B concrete paved against undisturbed material.
2. Backfill shall be complete, and adjacent surface improvements prepared prior to erection of the post.
3. Nuts, bolts, washers and other appurtenances shall be stainless steel, type 316.

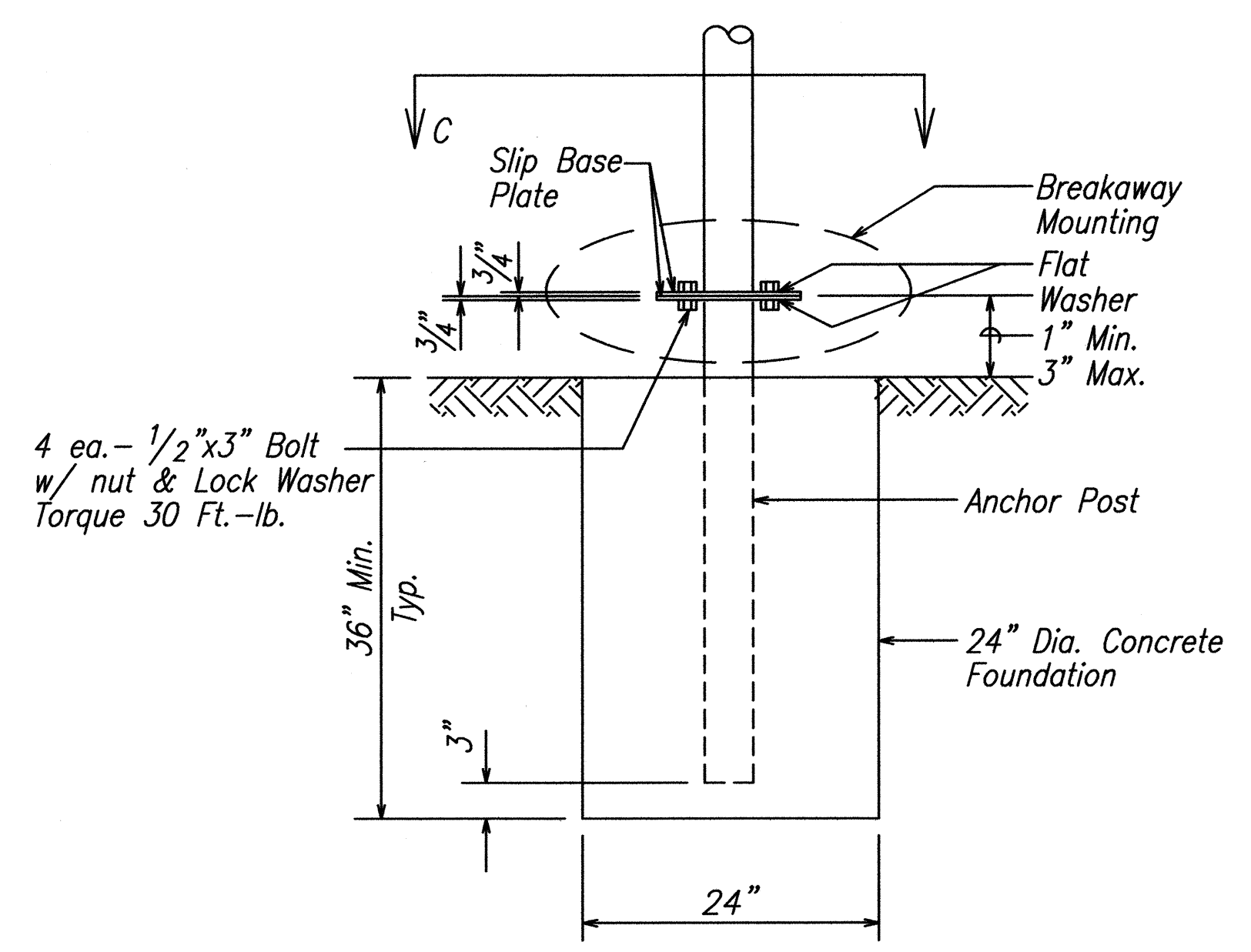


PLAN
NOT TO SCALE

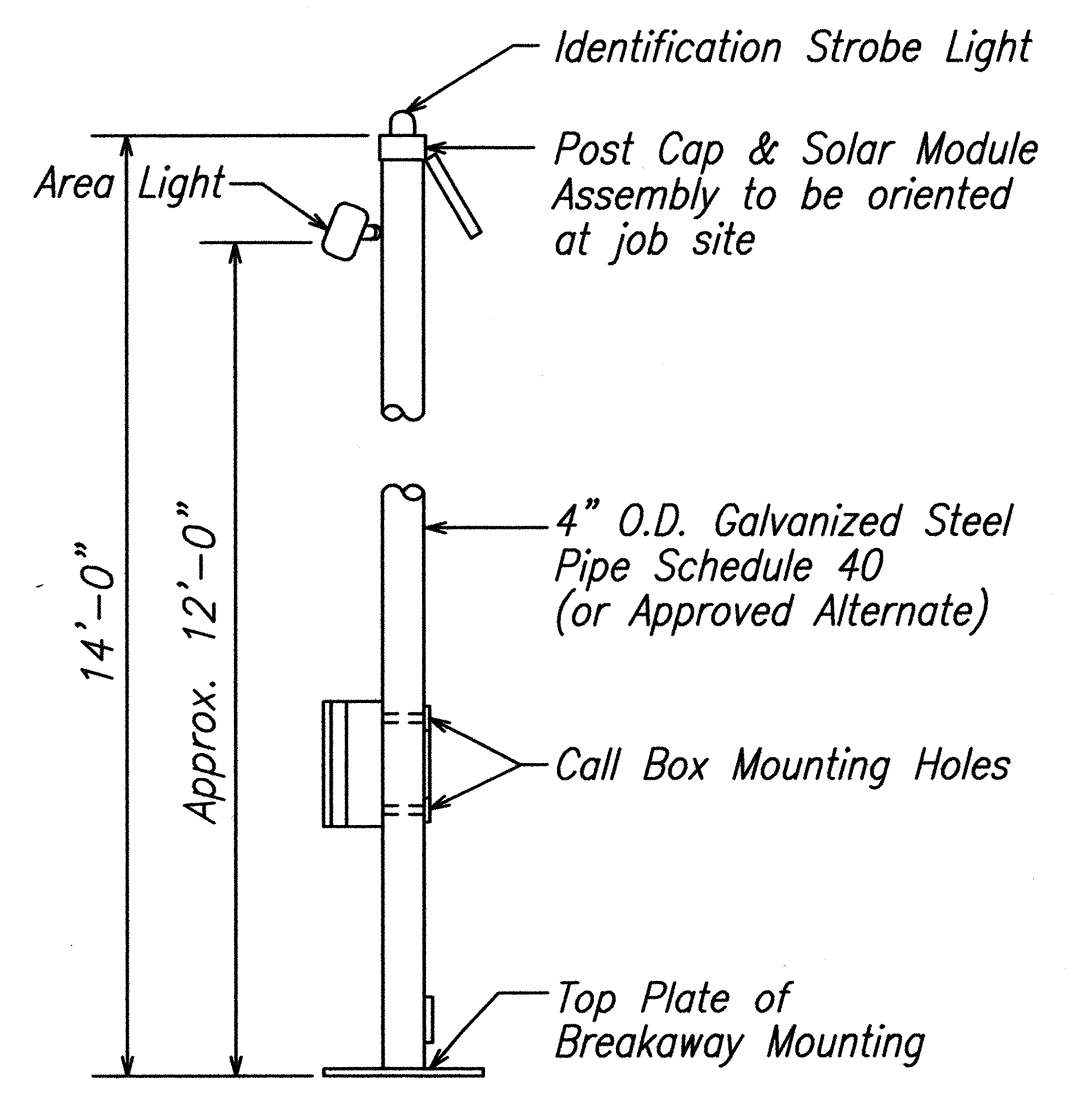


SECTION A-A
NOT TO SCALE

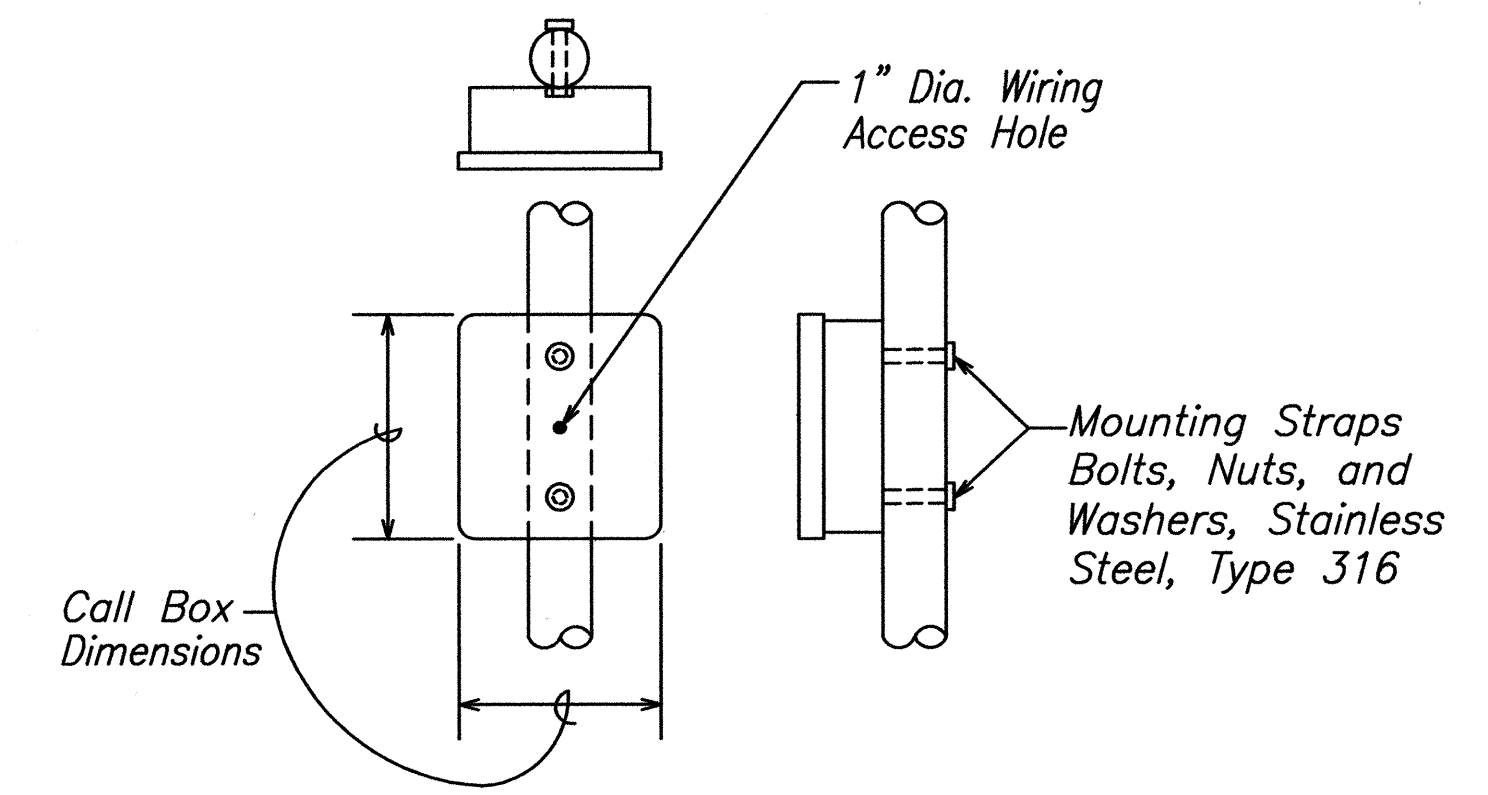
TYPICAL CONCRETE PEDESTRIAN PAD AND WALKWAY
NOT TO SCALE



CALL BOX POST CONCRETE FOUNDATION WITH BREAKAWAY MOUNTING
NOT TO SCALE



CALL BOX MOUNTING POLE, TYPICAL
NOT TO SCALE



CALL BOX MOUNTING, TYPICAL
NOT TO SCALE

SURVEY PLOTTED BY: DATE: _____
 DRAWN BY: _____
 DESIGNED BY: _____
 QUANTITIES BY: _____
 CHECKED BY: _____
 No. _____
 ORIGINAL PLAN _____
 NOTE BOOK _____
 11/28/05

ERIC N. S. HEE
 LICENSED PROFESSIONAL ENGINEER
 No. 5292-C
 HAWAII, U.S.A.
 THIS WORK WAS PREPARED BY ME OR UNDER MY SUPERVISION.
 ENGINEERS SURVEYORS HAWAII, INC.
 LICENSE EXPIRATION DATE: 4/30/06

STATE OF HAWAII
 DEPARTMENT OF TRANSPORTATION
 HIGHWAYS DIVISION
GENERAL NOTES, LEGEND & TYP.
CALL BOX INSTALLATION DETAILS
 HALEAKALA HIGHWAY WIDENING, PHASE 2
 HANA HIGHWAY TO PUKALANI BYPASS
 FED. AID PROJ. NO. NH-037-1(24)
 SCALE: AS NOTED DATE: SEP., 2005
 SHEET No. ET2 OF 2 SHEETS