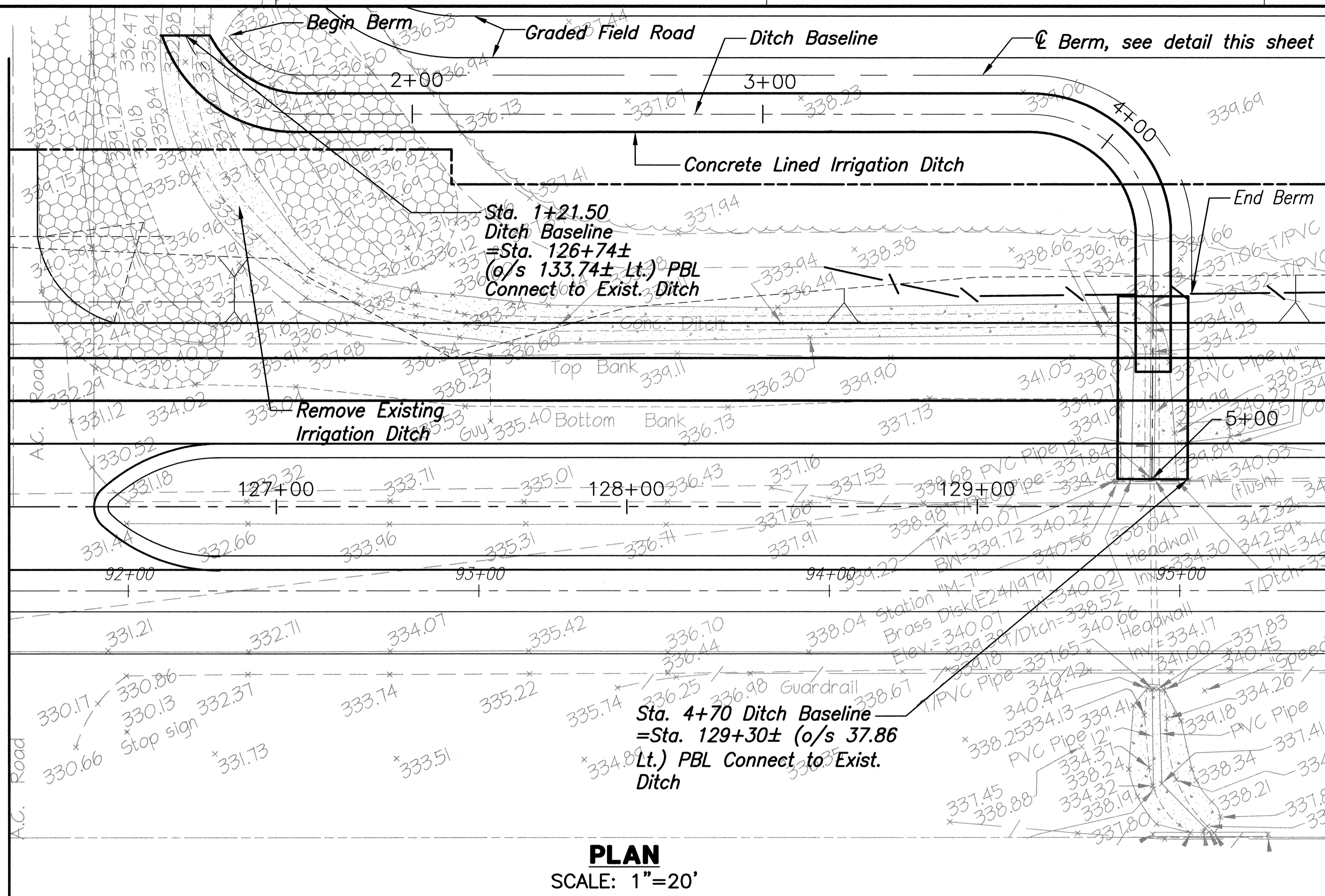
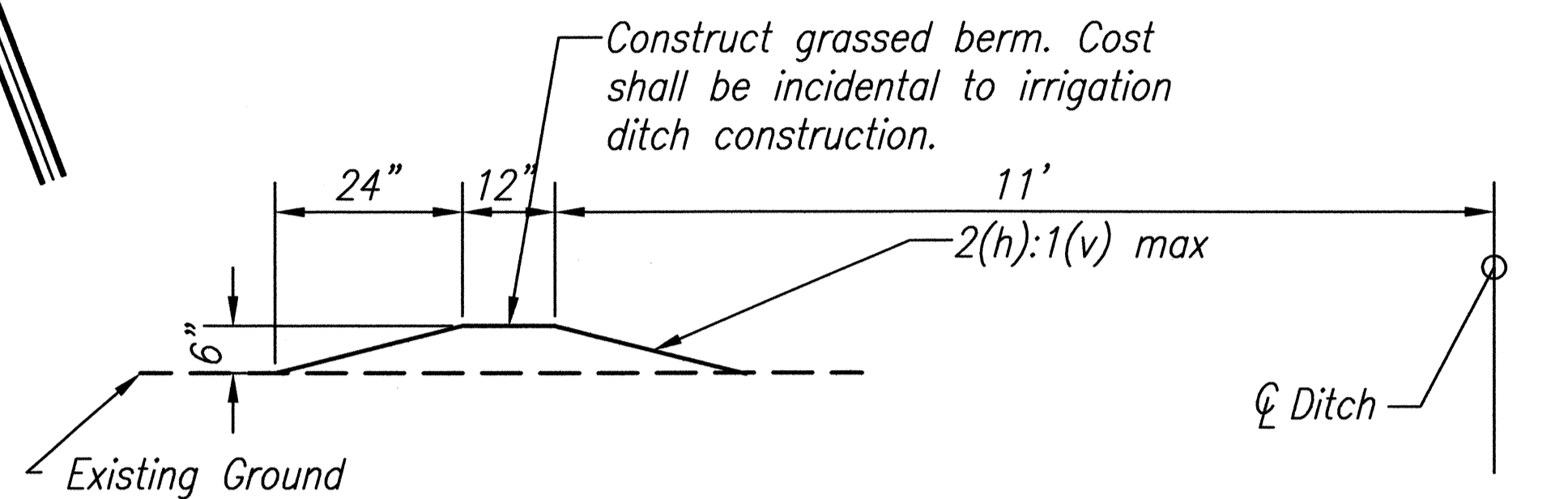


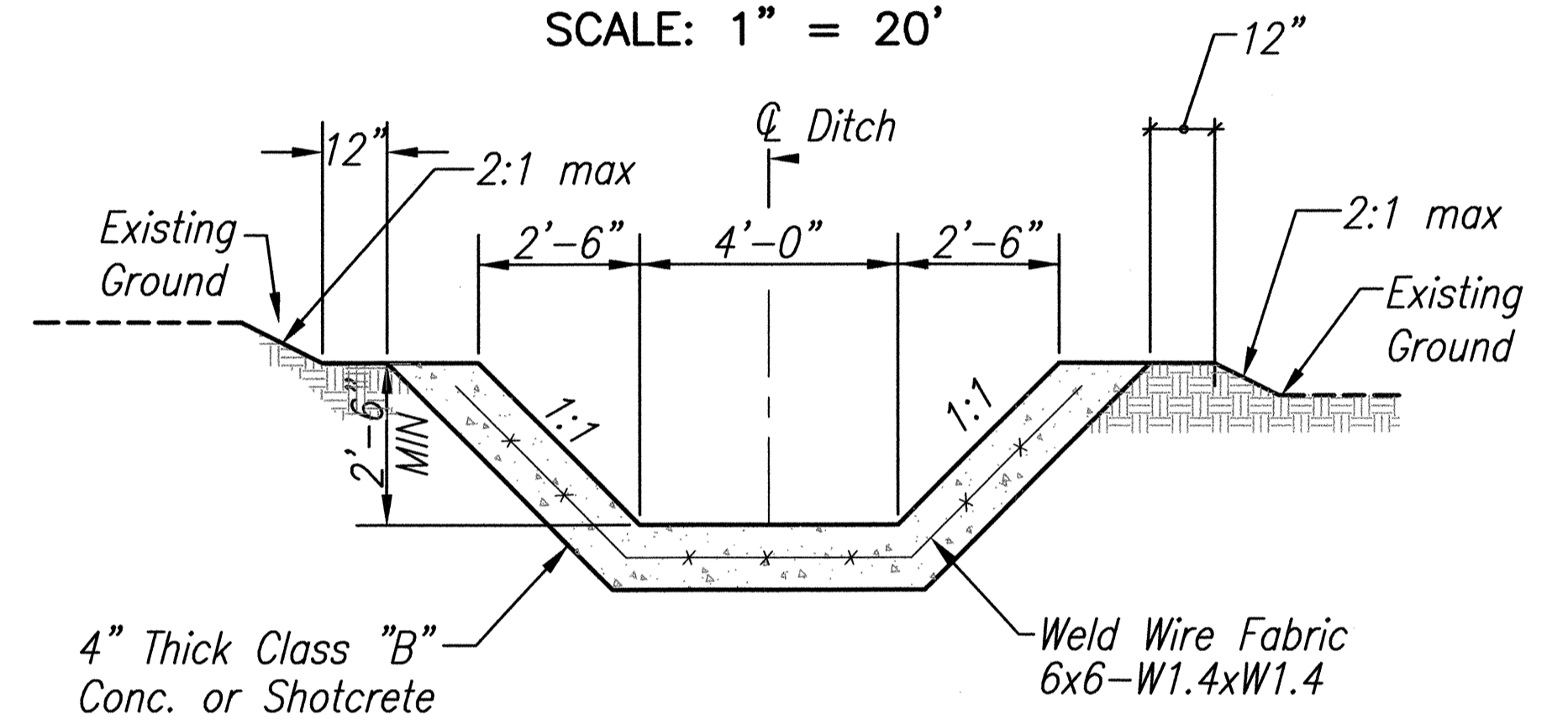
FED. ROAD DIST. NO.	STATE	FED. AID PROJ. NO.	FISCAL YEAR	SHEET NO.	TOTAL SHEETS
HAWAII	HAW.	NH-037-1(24)	2005	229	288



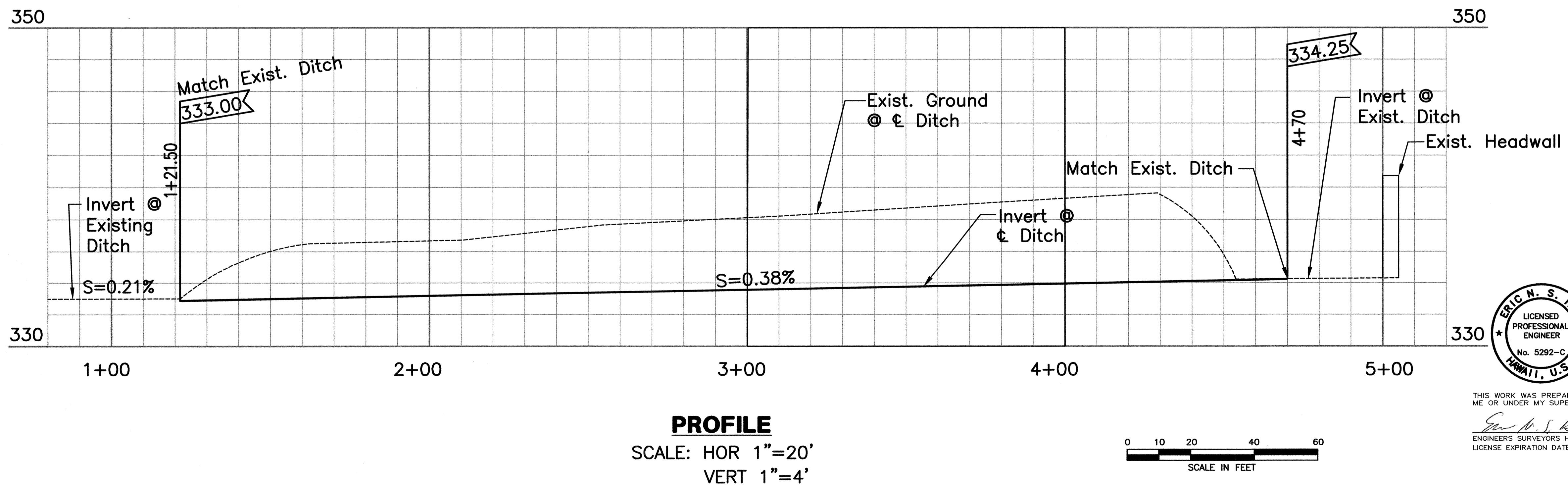
Irrigation Ditch Note
The contractor shall provide for a continuous flow of irrigation water when work is performed on the irrigation ditches. This work shall be considered incidental to the various contract items.



TYPICAL SECTION - BERM
SCALE: 1" = 20'

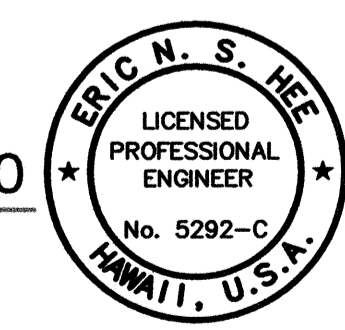


LINED IRRIGATION DITCH DETAILS
SCALE: 1" = 5'



SURVEY PLOTTED BY	DATE
DRAWN BY	
DESIGNED BY	
QUANTITIES BY	
CHECKED BY	
ORIGINAL PLAN	
NOTE BOOK	
No.	

11/28/05 - 11/28/05 Engineering Project 1994-1995-058 Hana Highway Widening Phase 2 Work on Olden Highway from Sta. 1+00 to 9+140m



THIS WORK WAS PREPARED BY ME OR UNDER MY SUPERVISION.
Eric N. S. HEE
ENGINEERS SURVEYORS HAWAII, INC.
LICENSE EXPIRATION DATE: 4/30/06

STATE OF HAWAII
DEPARTMENT OF TRANSPORTATION
HIGHWAYS DIVISION

CONCRETE LINED IRRIGATION DITCH

HALEKALA HIGHWAY WIDENING, PHASE 2
HANA HIGHWAY TO PUKALANI BYPASS
FED. AID PROJ. NO. NH-037-1(24)

SCALE: AS NOTED DATE: MAY, 2005
SHEET No. 1 OF 1 SHEETS