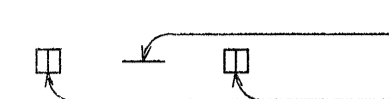
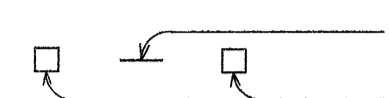



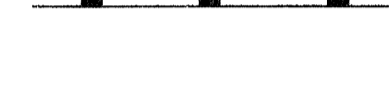



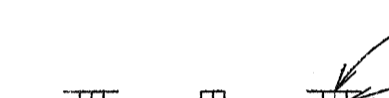



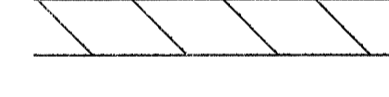
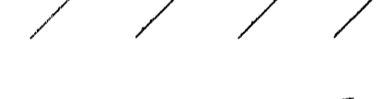

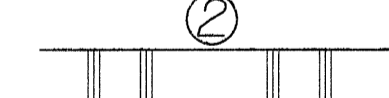



FED. ROAD DIST. NO.	STATE	PROJ. NO.	FISCAL YEAR	SHEET NO.	TOTAL SHEETS
HAWAII	HAW.	37E-01-93M	1993	15	26

LEGEND

-  4 each Type A Raised Pavement Markers
Type C Raised Pavement Markers @ 40'-0" o.c.
-  4 each Type J Raised Pavement Markers
Type D Raised Pavement Markers @ 40'-0" o.c.
-  8" White Stripe with Type C Raised Pavement Markers @ 20'-0" o.c. (Tape, Type I or Thermoplastic Extrusion)
-  4" Double Solid Yellow with Type D Raised Pavement Markers @ 20'-0" o.c. (Tape, Type I or Thermoplastic Extrusion)
-  4" Double Solid Yellow Stripes with Type H Raised Pavement Markers @ 20'-0" o.c. (Tape, Type II or Thermoplastic Extrusion)
-  4" Yellow Edge Stripe with Type H Raised Pavement Markers @ 40'-0" o.c. (Tape, Type II or Thermoplastic Extrusion)
-  4" Double Solid White Stripes with Type C Raised Pavement Markers @ 20'-0" o.c. (Tape, Type I or Thermoplastic Extrusion)
-  Lane Change Restriction Marking
4 each Type A Raised Pavement Markers
Type C Raised Pavement Markers @ 20'-0" o.c.
4" White Stripe (Tape, Type I or Thermoplastic Extrusion)
-  4" or 8" White Edge Stripe with Type C Raised Pavement Markers @ 40'-0" o.c. (Tape, Type II or Thermoplastic Extrusion)
-  4" White Guide Lines (Tape, Type III or Thermoplastic Extrusion except for bus bays)
-  Transverse Median Marking (Tape, Type II or Thermoplastic Extrusion)
-  Transverse Shoulder Marking (Tape, Type II or Thermoplastic Extrusion)
-  Channelizing Island or Deceleration Lane Gore (Tape, Type II or Thermoplastic Extrusion)
-  Crosswalk and Stop Line. All Stop Lines shall be 10'-0" from Crosswalk unless otherwise noted. The circled number indicates the number of lanes for payment. (Tape, Type III or Thermoplastic Extrusion)
-  Pavement Arrow (Tape, Type I or Thermoplastic Extrusion)
-  Pavement Word (Tape, Type I or Thermoplastic Extrusion)
-  4 Each Type J Raised Pavement Markers
Type D Raised Pavement Markers @ 40'-0" o.c.
Type H Raised Pavement Markers (Reflective Surface facing no-passing direction)
4" Single Solid Yellow Stripe (Tape, Type I or Thermoplastic Extrusion)
-  Extension of Edge Line, 4" Wide x 2'-0" Long White Stripe @ 10'-0" o.c. w/Type C Markers @ 40'-0" o.c. (Tape, Type III or Thermoplastic Extrusion)

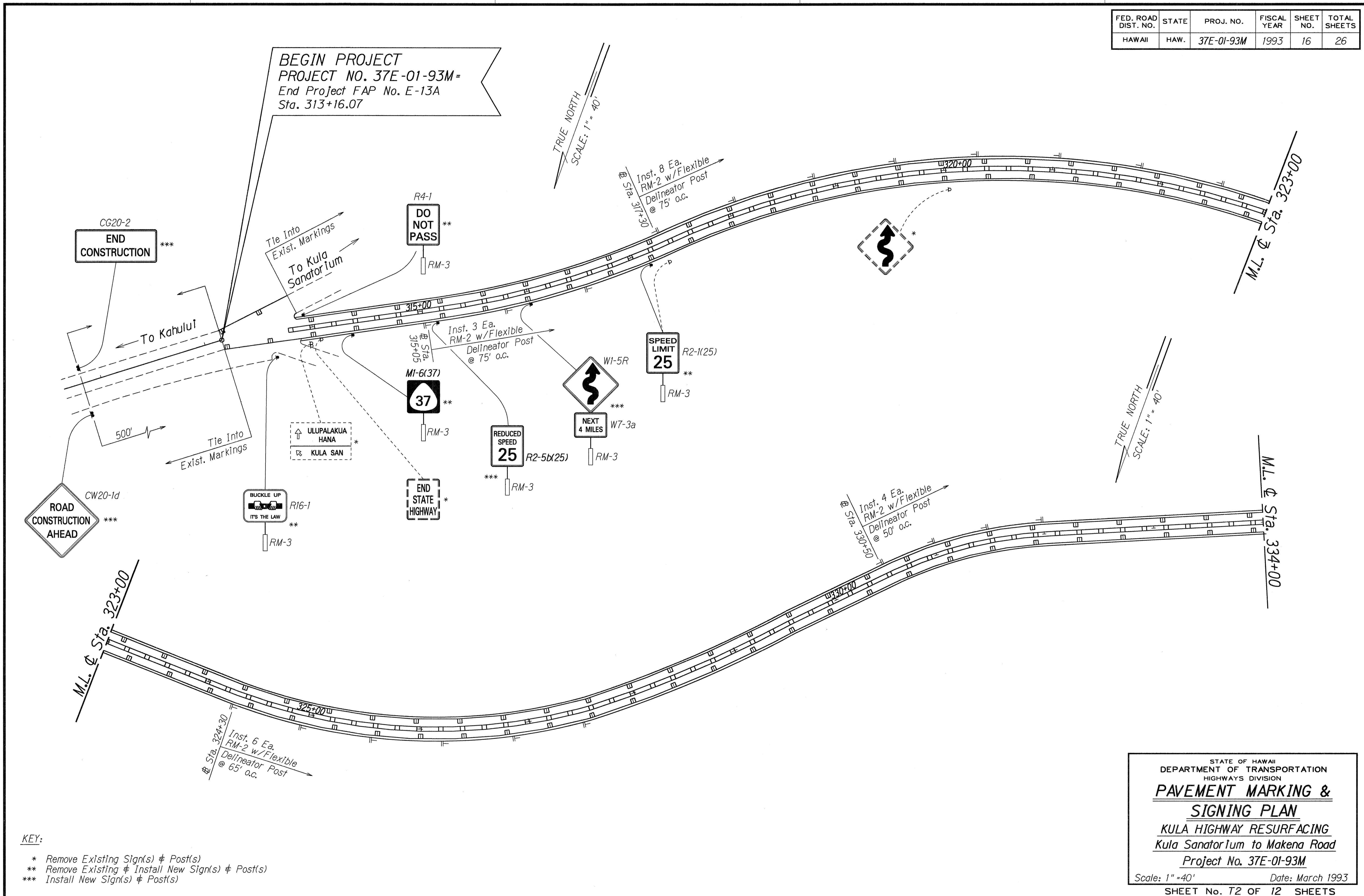
NOTES

1. Layout of pavement markings and striping shall be done by the Contractor and approved by the Engineer prior to any installation work.
2. Existing pavement markings not incorporated in the final traffic pattern shall be removed as directed by the Engineer. Costs shall be incidental to the various pavement marking items.
3. Raised pavement markers shall not be installed within crosswalks.
4. Final locations of all signs shall be approved by the Engineer prior to any installation work.
5. Existing signs not shown on these plans shall remain as posted unless otherwise directed by the Engineer. Removal and disposal of existing signs and/or posts as designated on these plans shall be incidental to the various signing items.
6. Final locations of all Stop Lines shall be approved by the Engineer prior to installation.
7. All pavement striping shall be as noted on the Legend or plans.
8. All preformed pavement marking tapes over existing pavement shall be applied with an approved primer as recommended by the tape manufacturer and as approved by the Engineer. The primer shall be allowed to dry to the tacky stage prior to tape application.

SURVEY PLOTTED BY	DATE
DRAWN BY	
DESIGNED BY	
QUANTITIES BY	
CHECKED BY	
ORIGINAL PLAN	
NOTE BOOK	
No.	

STATE OF HAWAII
DEPARTMENT OF TRANSPORTATION
HIGHWAYS DIVISION
PAVEMENT MARKING
LEGEND & NOTES
KULA HIGHWAY RESURFACING
Kula Sanatorium to Makena Road
Project No. 37E-01-93M
Date: March 1993

FED. ROAD DIST. NO.	STATE	PROJ. NO.	FISCAL YEAR	SHEET NO.	TOTAL SHEETS
HAWAII	HAW.	37E-01-93M	1993	16	26



KEY:

- * Remove Existing Sign(s) & Post(s)
- ** Remove Existing & Install New Sign(s) & Post(s)
- *** Install New Sign(s) & Post(s)

SURVEY PLOTTED BY	DATE
DRAWN BY	
TRACED BY	
QUANTITIES BY	
CHECKED BY	
ORIGINAL PLAN	
NOTE BOOK	
N _o .	

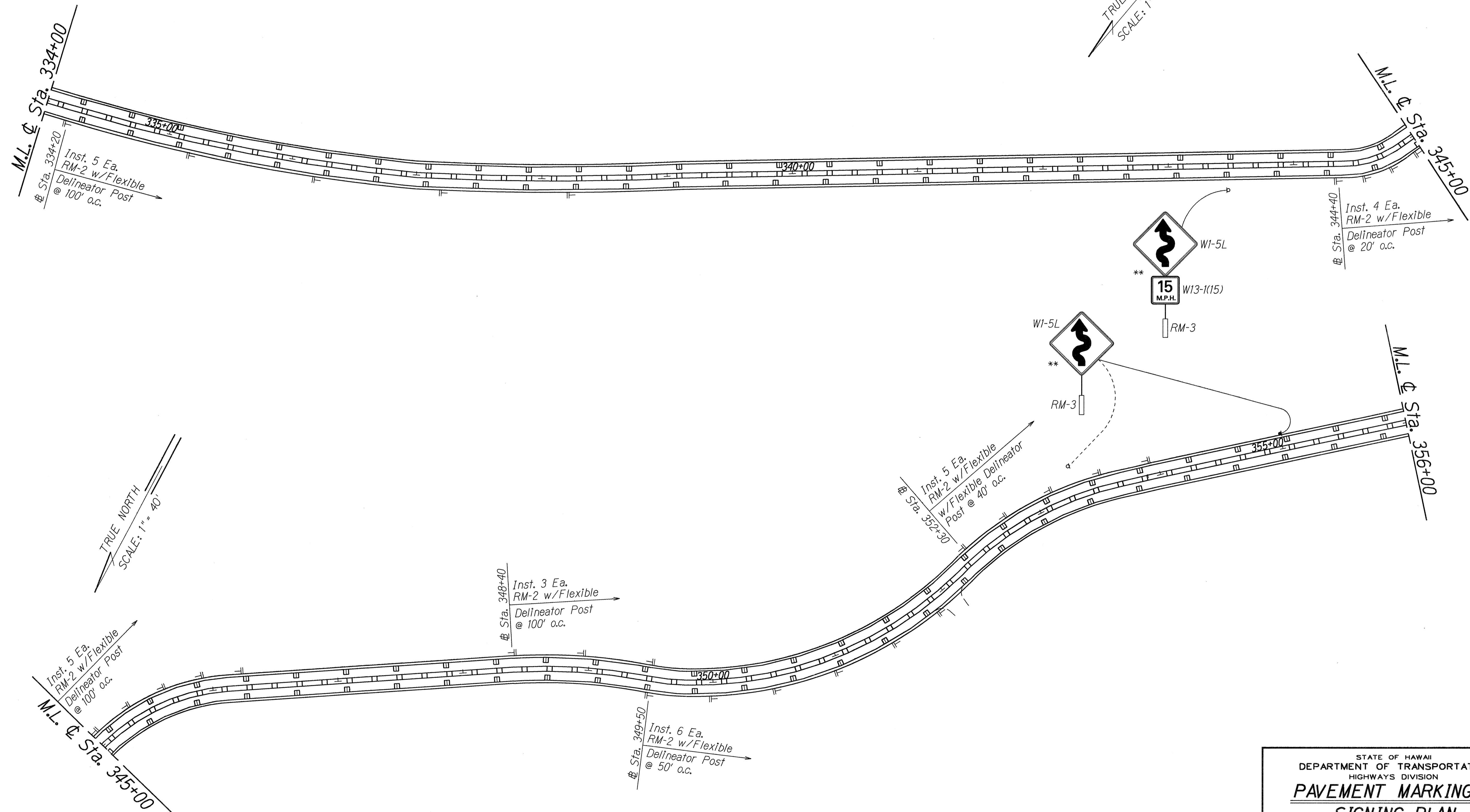
STATE OF HAWAII
DEPARTMENT OF TRANSPORTATION
HIGHWAYS DIVISION

**PAVEMENT MARKING &
SIGNING PLAN**

KULA HIGHWAY RESURFACING
Kula Sanatorium to Makena Road
Project No. 37E-01-93M

Scale: 1" = 40' Date: March 1993
SHEET No. T2 OF 12 SHEETS

FED. ROAD DIST. NO.	STATE	PROJ. NO.	FISCAL YEAR	SHEET NO.	TOTAL SHEETS
HAWAII	HAW.	37E-01-93M	1993	17	26

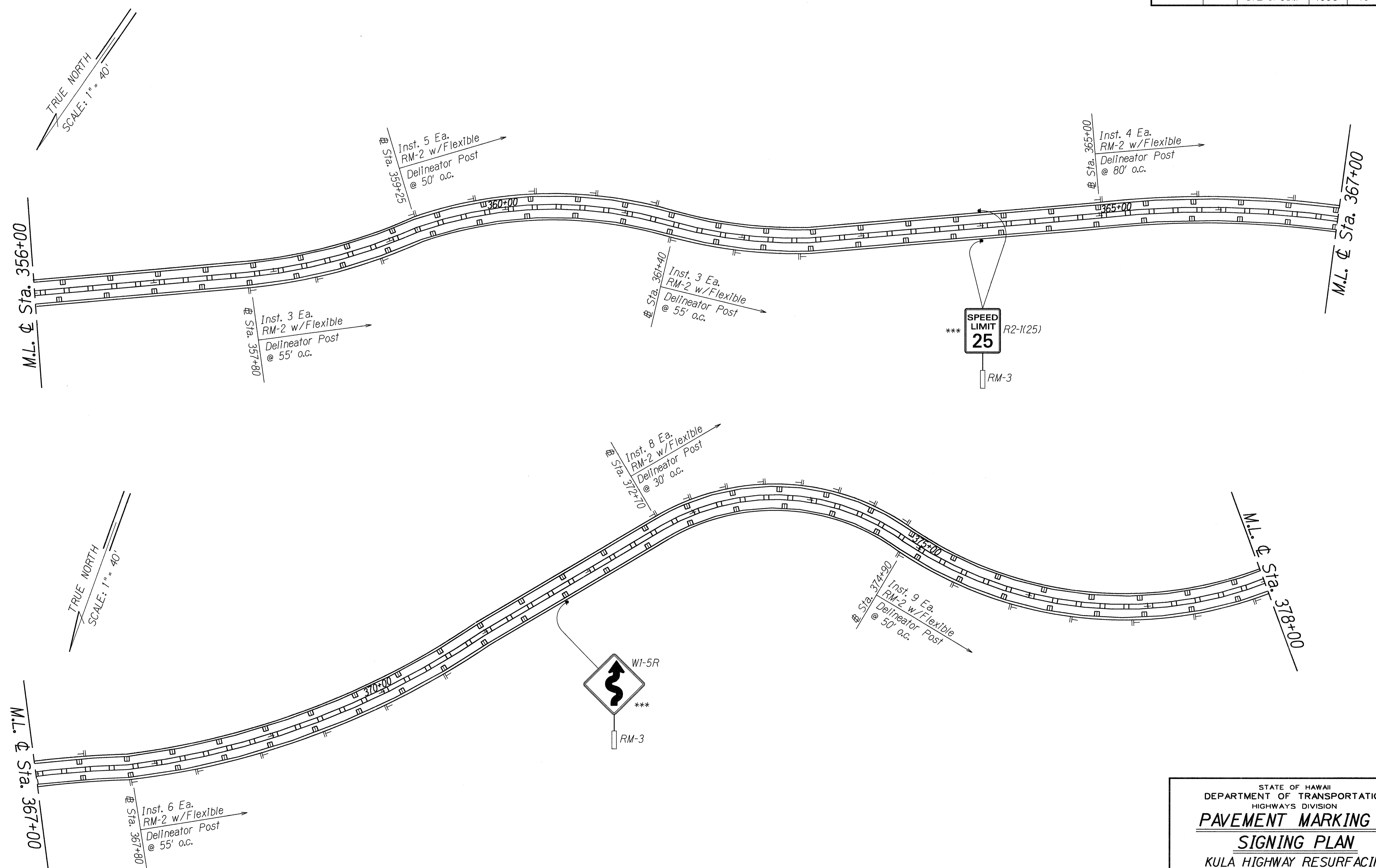


SURVEY PLOTTED BY	DATE
DRAWN BY	
TRACED BY	
QUANTITIES BY	
CHECKED BY	
ORIGINAL PLAN	
NOTE BOOK	
N ^o .	

KEY:
* Remove Existing Sign(s) & Post(s)
** Remove Existing & Install New Sign(s) & Post(s)
*** Install New Sign(s) & Post(s)

STATE OF HAWAII
DEPARTMENT OF TRANSPORTATION
HIGHWAYS DIVISION
PAVEMENT MARKING & SIGNING PLAN
KULA HIGHWAY RESURFACING
Kula Sanatorium to Makena Road
Project No. 37E-01-93M
Scale: 1" = 40' Date: March 1993
SHEET No. 17 OF 12 SHEETS

FED. ROAD DIST. NO.	STATE	PROJ. NO.	FISCAL YEAR	SHEET NO.	TOTAL SHEETS
HAWAII	HAW.	37E-01-93M	1993	18	26



DATE	_____
SURVEY PLOTTED BY	_____
DRAWN BY	_____
TRACED BY	_____
QUANTITIES BY	_____
CHECKED BY	_____
ORIGINAL PLAN	_____
NOTE BOOK	_____
N ^o .	_____

KEY:

- * Remove Existing Sign(s) & Post(s)
- ** Remove Existing & Install New Sign(s) & Post(s)
- *** Install New Sign(s) & Post(s)

STATE OF HAWAII
DEPARTMENT OF TRANSPORTATION
HIGHWAYS DIVISION

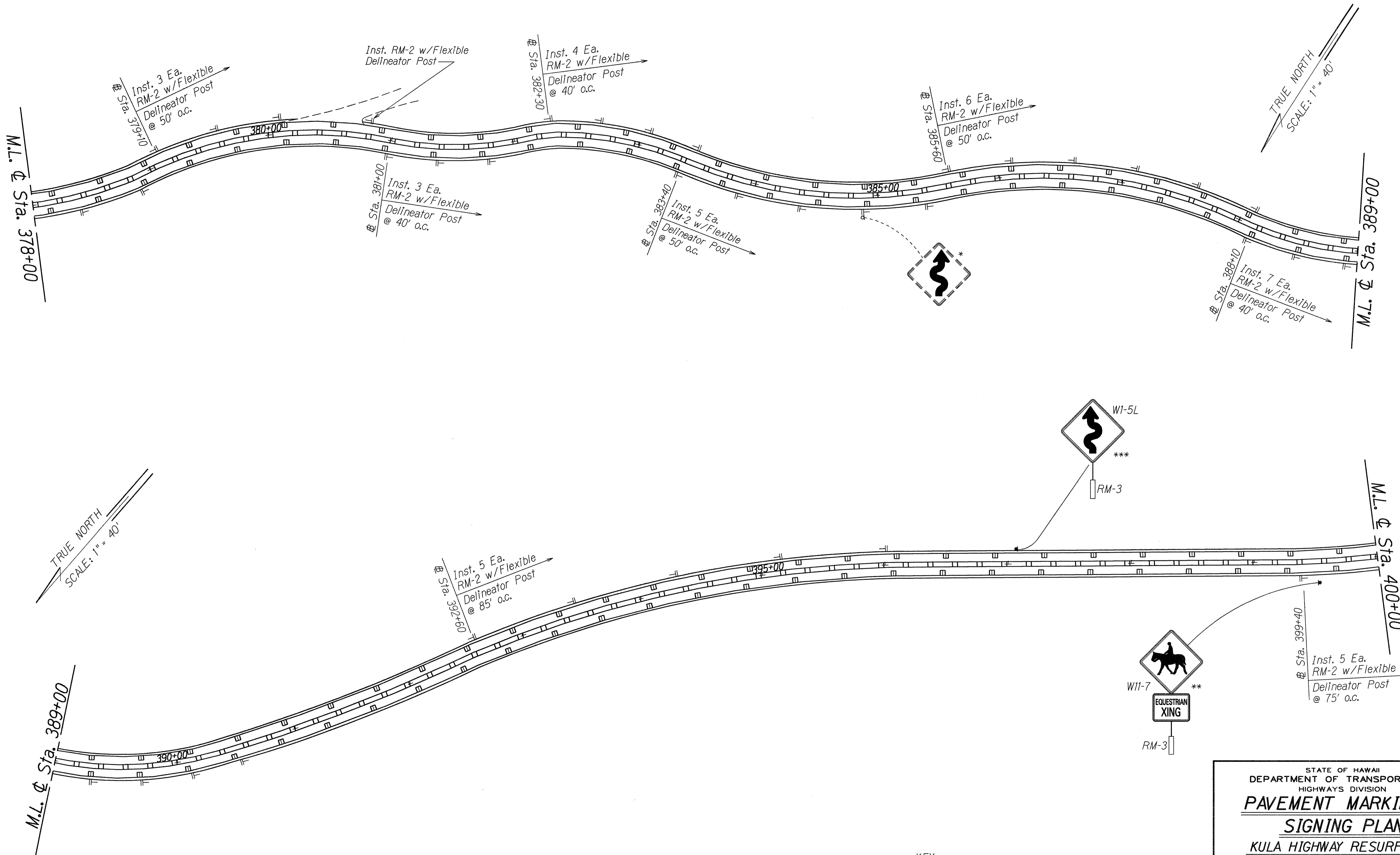
PAVEMENT MARKING & SIGNING PLAN

KULA HIGHWAY RESURFACING
Kula Sanatorium to Makena Road
Project No. 37E-01-93M

Scale: 1" = 40' Date: March 1993

SHEET No. T4 OF 12 SHEETS

FED. ROAD DIST. NO.	STATE	PROJ. NO.	FISCAL YEAR	SHEET NO.	TOTAL SHEETS
HAWAII	HAW.	37E-01-93M	1993	19	26



ORIGINAL PLAN	SURVEY PLOTTED BY	DATE
NOTE BOOK	DRAWN BY	
	TRACED BY	
	CHECKED BY	
	DATE	

- KEY:
- * Remove Existing Sign(s) & Post(s)
 - ** Remove Existing & Install New Sign(s) & Post(s)
 - *** Install New Sign(s) & Post(s)

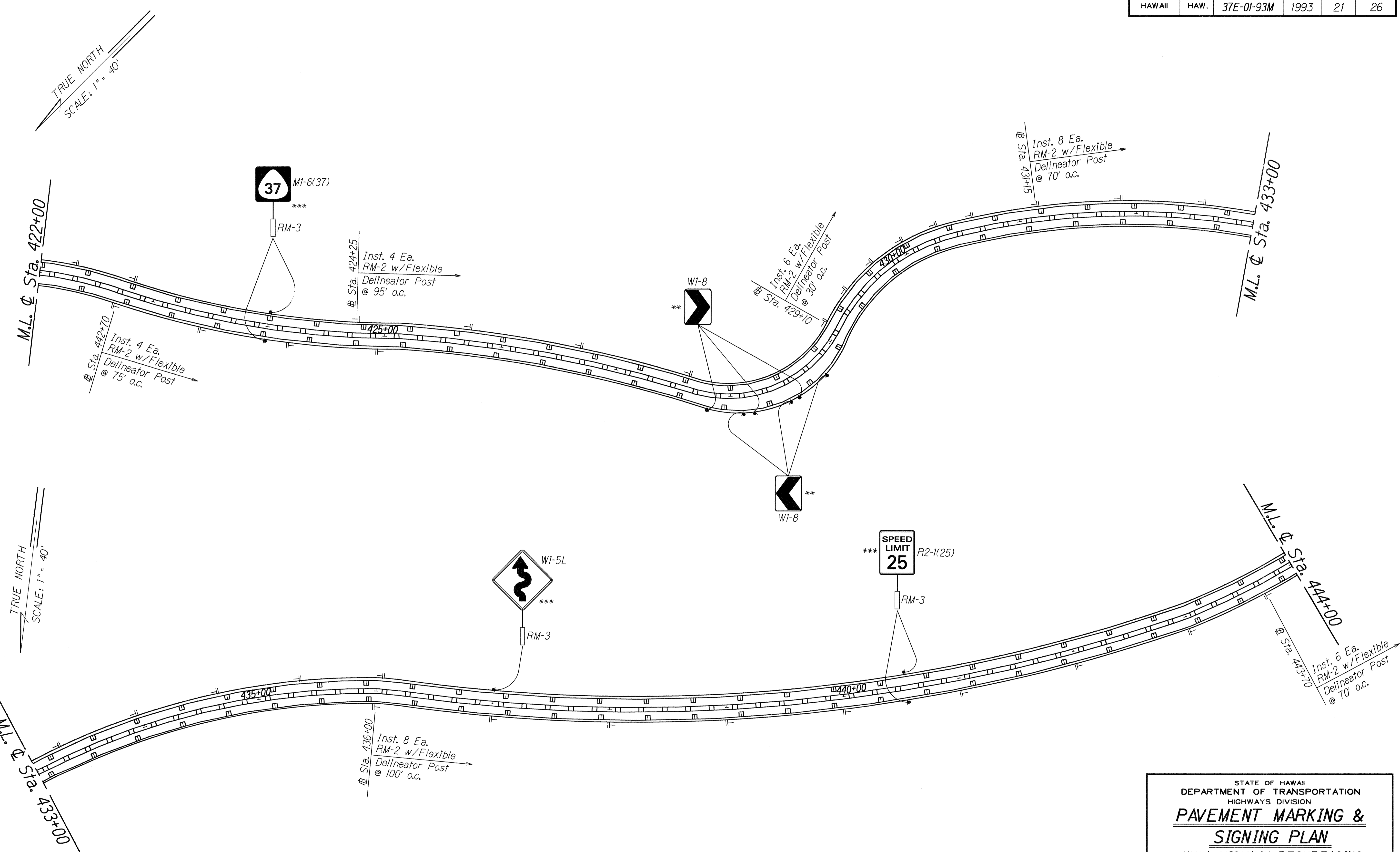
STATE OF HAWAII
DEPARTMENT OF TRANSPORTATION
HIGHWAYS DIVISION

**PAVEMENT MARKING &
SIGNING PLAN**

KULA HIGHWAY RESURFACING
Kula Sanatorium to Makena Road
Project No. 37E-01-93M

Scale: 1" = 40' Date: March 1993
SHEET No. 19 OF 12 SHEETS

FED. ROAD DIST. NO.	STATE	PROJ. NO.	FISCAL YEAR	SHEET NO.	TOTAL SHEETS
HAWAII	HAW.	37E-01-93M	1993	21	26

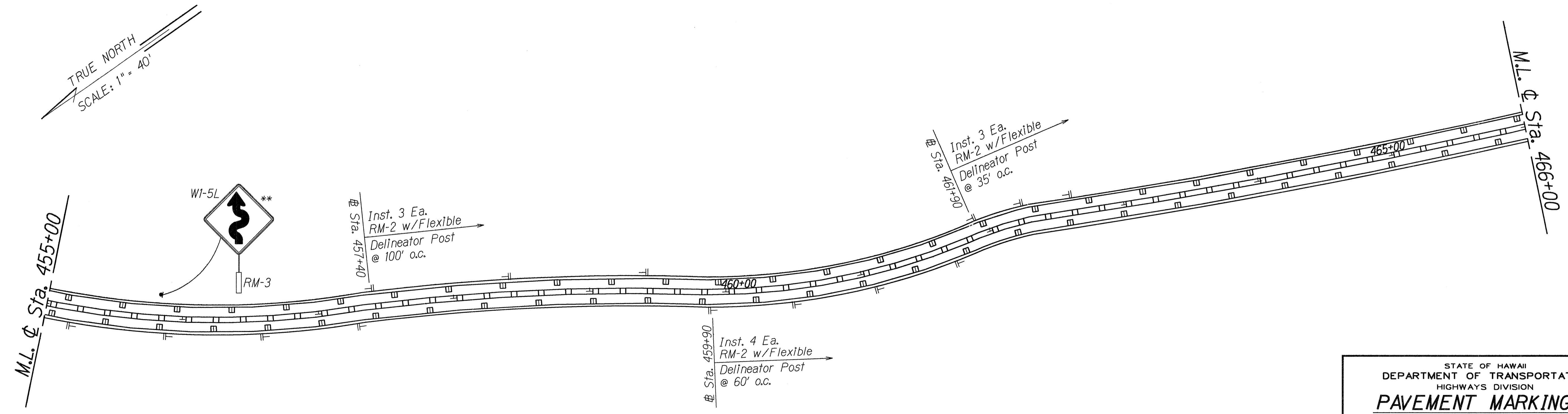
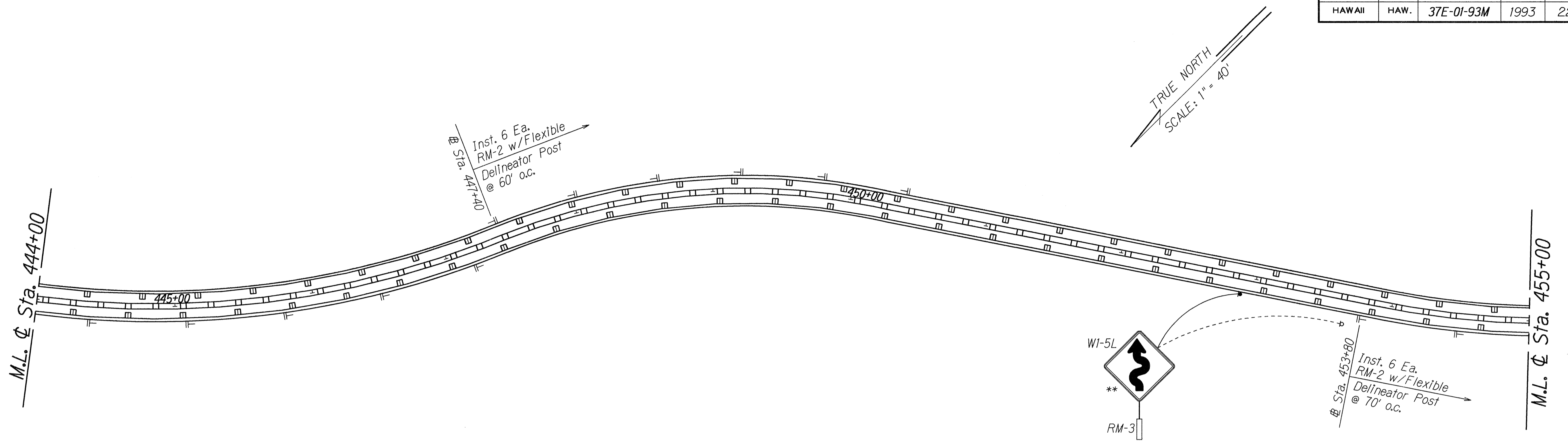


ORIGINAL PLAN	DATE
DRAWN BY	
TRACED BY	
NOTES BOOK	
QUANTITIES BY	
CHECKED BY	
N.	

KEY:
 * Remove Existing Sign(s) & Post(s)
 ** Remove Existing & Install New Sign(s) & Post(s)
 *** Install New Sign(s) & Post(s)

STATE OF HAWAII
 DEPARTMENT OF TRANSPORTATION
 HIGHWAYS DIVISION
**PAVEMENT MARKING &
 SIGNING PLAN**
 KULA HIGHWAY RESURFACING
 Kula Sanatorium to Makena Road
 Project No. 37E-01-93M
 Scale: 1" = 40' Date: March 1993
 SHEET No. 17 OF 12 SHEETS

FED. ROAD DIST. NO.	STATE	PROJ. NO.	FISCAL YEAR	SHEET NO.	TOTAL SHEETS
HAWAII	HAW.	37E-01-93M	1993	22	26



SURVEY PLOTTED BY	DATE
DRAWN BY	
TRACED BY	
QUANTITIES BY	
CHECKED BY	
ORIGINAL PLAN	
NOTE BOOK	
N ^o .	

KEY:

- * Remove Existing Sign(s) & Post(s)
- ** Remove Existing & Install New Sign(s) & Post(s)
- *** Install New Sign(s) & Post(s)

STATE OF HAWAII
DEPARTMENT OF TRANSPORTATION
HIGHWAYS DIVISION

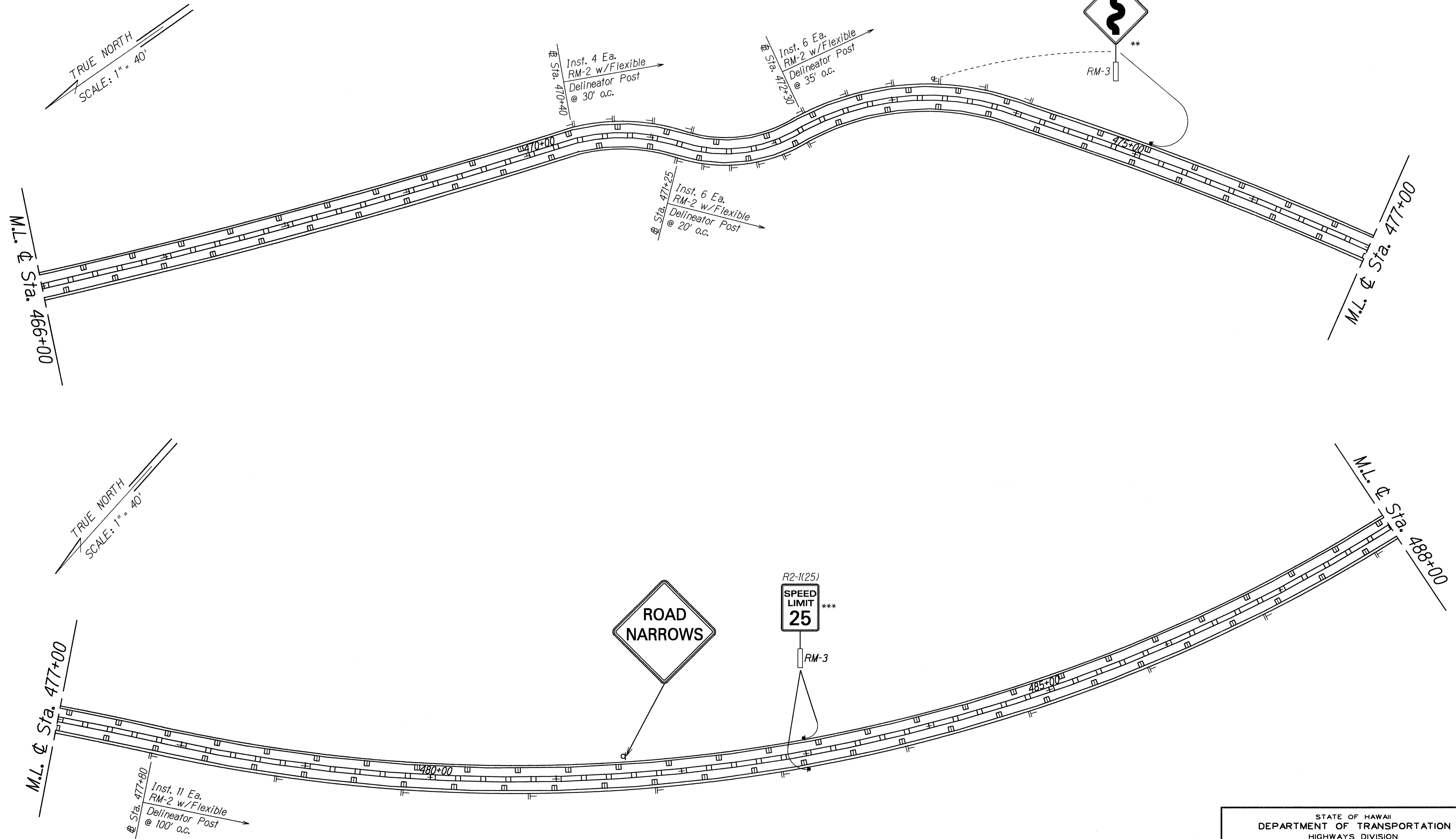
**PAVEMENT MARKING &
SIGNING PLAN**

KULA HIGHWAY RESURFACING
Kula Sanatorium to Makena Road
Project No. 37E-01-93M

Scale: 1" = 40' Date: March 1993

SHEET No. T8 OF 12 SHEETS

FED. ROAD DIST. NO.	STATE	PROJ. NO.	FISCAL YEAR	SHEET NO.	TOTAL SHEETS
HAWAII	HAW.	37E-01-93M	1993	23	26



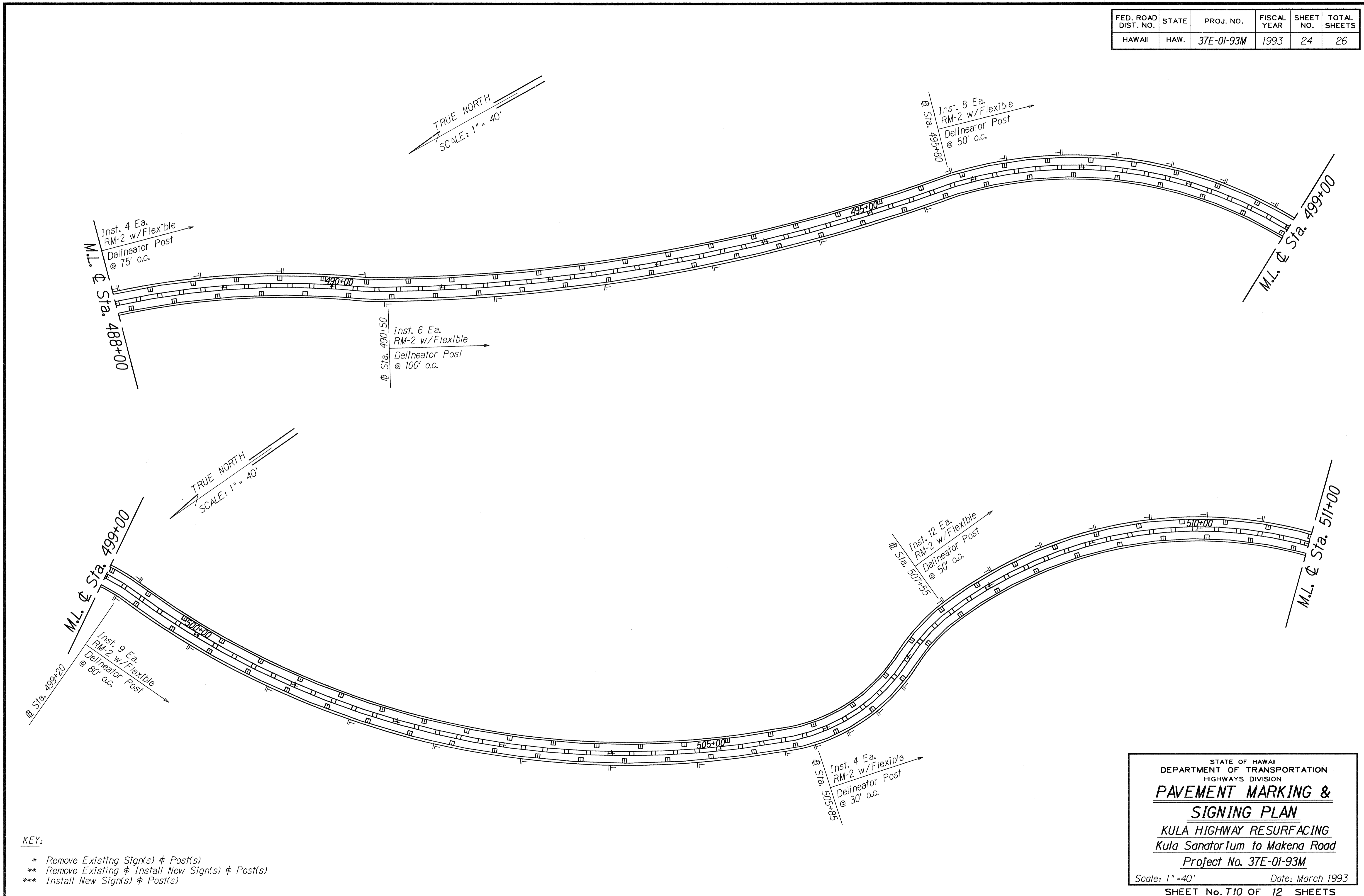
ORIGINAL PLAN	SURVEY PLOTTED BY	DATE
NOTE BOOK	DRAWN BY	
	DESIGNED BY	
	CHECKED BY	

KEY:
 * Remove Existing Sign(s) & Post(s)
 ** Remove Existing & Install New Sign(s) & Post(s)
 *** Install New Sign(s) & Post(s)

LEGEND FOR AS-BUILT POSTINGS	
	Squiggly line for as-built deletion
	Double line for as-built deletion
Roadway	Text for as-built posting

STATE OF HAWAII
 DEPARTMENT OF TRANSPORTATION
 HIGHWAYS DIVISION
PAVEMENT MARKING & SIGNING PLAN
 KULA HIGHWAY RESURFACING
 Kula Sanatorium to Makena Road
 Project No. 37E-01-93M
 Scale: 1" = 40' Date: March 1993
 SHEET No. 23 OF 12 SHEETS

FED. ROAD DIST. NO.	STATE	PROJ. NO.	FISCAL YEAR	SHEET NO.	TOTAL SHEETS
HAWAII	HAW.	37E-01-93M	1993	24	26



SURVEY PLOTTED BY	DATE
DRAWN BY	
TRACED BY	
QUANTITIES BY	
CHECKED BY	
ORIGINAL PLAN	
NOTE BOOK	
N.	

- KEY:
- * Remove Existing Sign(s) & Post(s)
 - ** Remove Existing & Install New Sign(s) & Post(s)
 - *** Install New Sign(s) & Post(s)

STATE OF HAWAII
DEPARTMENT OF TRANSPORTATION
HIGHWAYS DIVISION

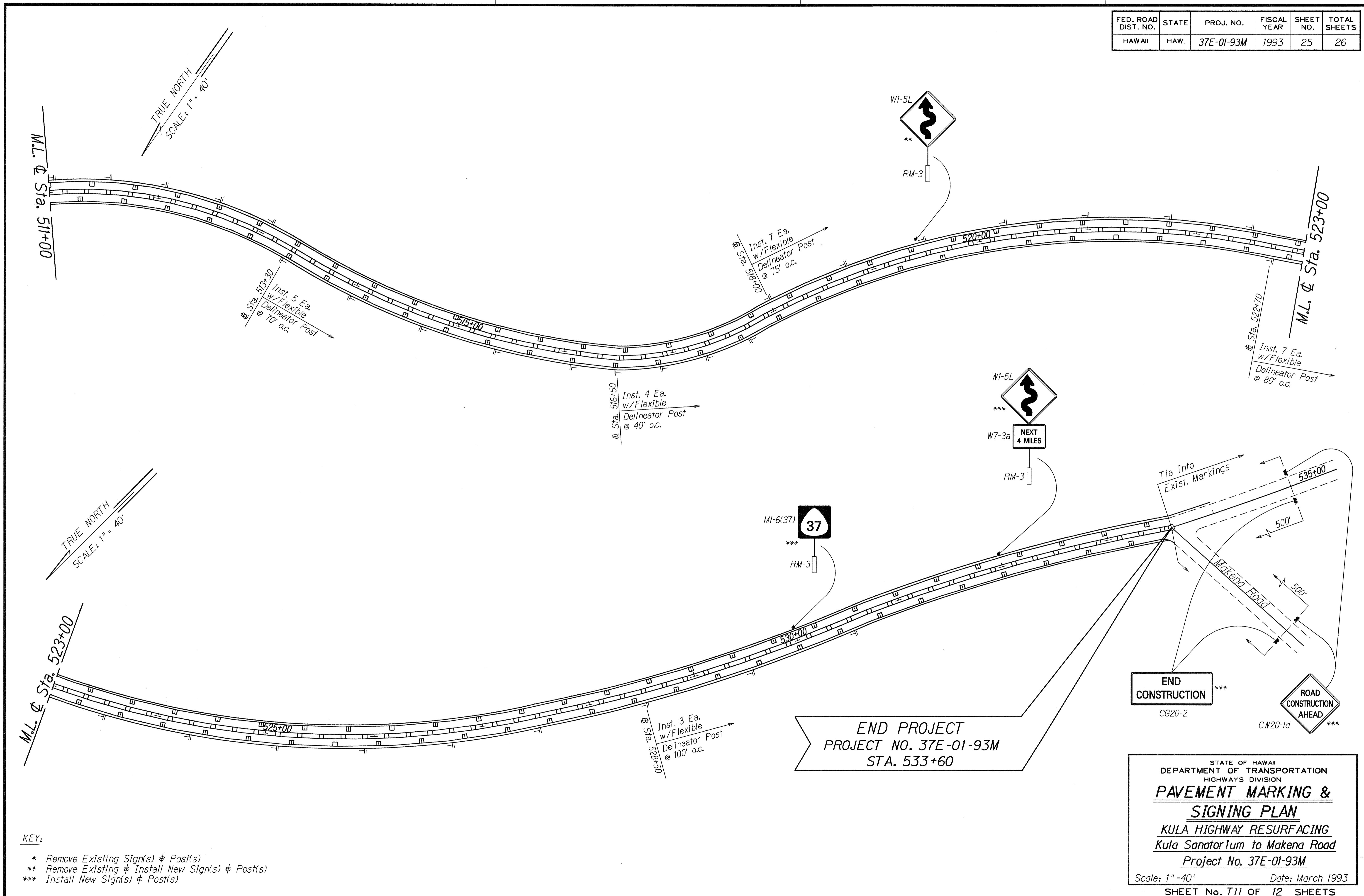
**PAVEMENT MARKING &
SIGNING PLAN**

KULA HIGHWAY RESURFACING
Kula Sanatorium to Makena Road
Project No. 37E-01-93M

Scale: 1" = 40' Date: March 1993

SHEET No. 110 OF 12 SHEETS

FED. ROAD DIST. NO.	STATE	PROJ. NO.	FISCAL YEAR	SHEET NO.	TOTAL SHEETS
HAWAII	HAW.	37E-01-93M	1993	25	26



SURVEY PLOTTED BY	DATE
DRAWN BY	
TRACED BY	
NOTES BY	
CHECKED BY	
ORIGINAL PLAN	
NOTE BOOK	
No.	

KEY:
 * Remove Existing Sign(s) & Post(s)
 ** Remove Existing & Install New Sign(s) & Post(s)
 *** Install New Sign(s) & Post(s)

STATE OF HAWAII
 DEPARTMENT OF TRANSPORTATION
 HIGHWAYS DIVISION
PAVEMENT MARKING & SIGNING PLAN
 KULA HIGHWAY RESURFACING
 Kula Sanatorium to Makana Road
 Project No. 37E-01-93M
 Scale: 1" = 40' Date: March 1993
 SHEET No. 25 OF 12 SHEETS

FED. ROAD DIST. NO.	STATE	PROJ. NO.	FISCAL YEAR	SHEET NO.	TOTAL SHEETS
HAWAII	HAW.	37E-01-93M	1993	26	26

PAVEMENT MARKING SUMMARY	
DESCRIPTION	QUANTITY
PAVEMENT MARKERS	
TYPE C	1,100 EA.
TYPE D	1,100 EA.
TAPE - TYPE I OR THERMOPLASTIC EXTRUSION DOUBLE 4-INCH PAVEMENT STRIPE (YELLOW)	21,990 L.F.
TAPE - TYPE II OR THERMOPLASTIC EXTRUSION 4-INCH PAVEMENT STRIPE (WHITE)	43,980 L.F.

REFLECTOR MARKER SUMMARY				
TYPE	QUANTITY			
	W/O POST		W/FLEXIBLE POST TYPE B	
	YELLOW	WHITE	YELLOW	WHITE
RM-2				309
RM-3	32			

TRAFFIC SIGN SUMMARY			
SIGN NO.	MESSAGE	QUANTITY	
		10 SQ. FT. OR LESS	
		W/POST	W/O POST
R2-1(25)	SPEED LIMIT 25	7	
R2-5b(25)	REDUCED SPEED 25	1	
R4-1	DO NOT PASS	1	
R16-1	BUCKLE UP, ITS THE LAW	1	
W1-5L	WINDING ROAD	10	
W1-5R	WINDING ROAD	2	
W1-8	CHEVRON ALIGNMENT	6	
W7-3a	NEXT 4 MILES		2
W11-7	EQUESTRIAN CROSSING	1	1
W13-1(15)	15 MPH		1
TOTAL		29	4

CONSTRUCTION SIGN SUMMARY				
SIGN NO.	LOCATION	MESSAGE	W/POSTS	W/O POST
CG20-2	Sta. 308+16 Lt.	END CONSTRUCTION	1	
CW20-1d	Sta. 308+15 Rt.	ROAD CONSTRUCTION AHEAD	1	
CG20-2	Sta. 538+60 Rt.	END CONSTRUCTION	1	
CW20-1d	Sta. 538+60 Lt.	ROAD CONSTRUCTION AHEAD	1	
CG20-2	Makena Rd. Rt.	END CONSTRUCTION	1	
CW20-1d	Makena Rd. Lt.	ROAD CONSTRUCTION AHEAD	1	
TOTAL			6	

ROUTE MARKER SUMMARY				
SIGN ASSEMBLY	LOCATION	SIGN NO. AND MESSAGE	TYPE A ASSEMBLY	
			W/POST	W/O POST
RM-1	Sta. 314+35 Rt.	37	1	
RM-2	Sta. 424+00 Lt. & Rt.	37	2	
RM-3	Sta. 530+00 Lt.	37	1	
TOTAL			4	

ORIGINAL PLAN
 SURVEY PLOTTED BY _____ DATE _____
 DRAWN BY _____
 TRACED BY _____
 NOTE BOOK _____
 QUANTITIES BY _____
 CHECKED BY _____
 No. _____

STATE OF HAWAII
 DEPARTMENT OF TRANSPORTATION
 HIGHWAYS DIVISION
MISCELLANEOUS TRAFFIC
SUMMARIES
 KULA HIGHWAY RESURFACING
 Kula Sanatorium to Makena Road
 Project No. 37E-01-93M
 Date: March 1993
 SHEET No. 112 OF 12 SHEETS