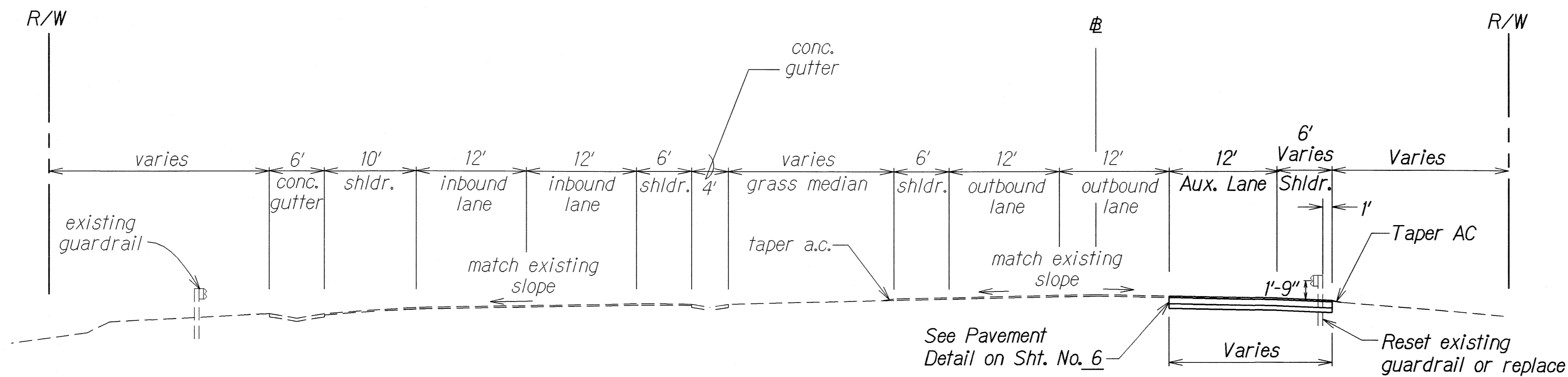
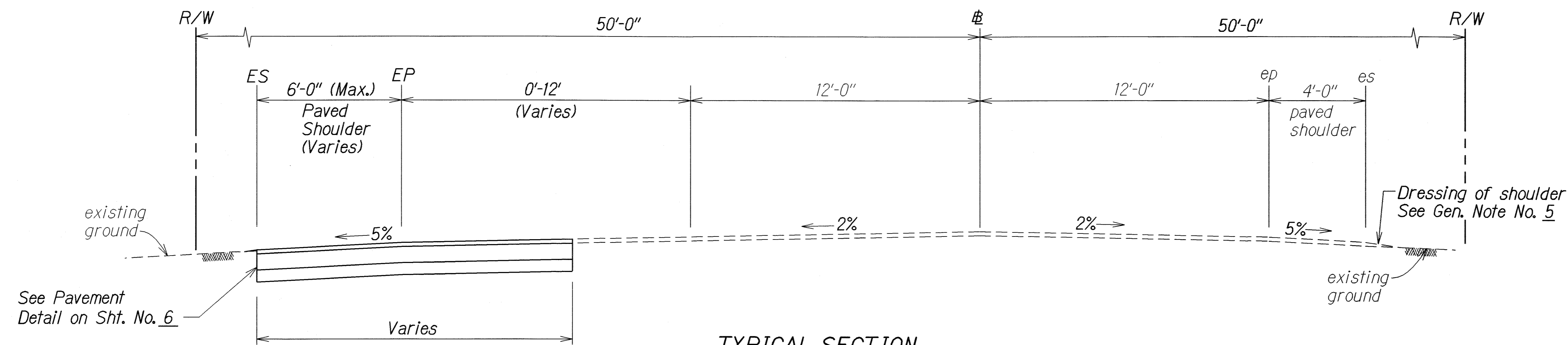


FED. ROAD DIST. NO.	STATE	PROJ. NO.	FISCAL YEAR	SHEET NO.	TOTAL SHEETS
HAWAII	HAW.	HWY-M-02-08	2008	5	16



TYPICAL SECTION
STA. 134+00 TO STA. 152+80
 Scale: 1/8" = 1'-0"



TYPICAL SECTION
± STA. 173+65± TO ± STA. 182+00±
 Scale: 3/8" = 1'-0"

DESIGNED BY	DATE
TRACED BY	5/08
DESIGNED BY	
QUANTITIES BY	
CHECKED BY	

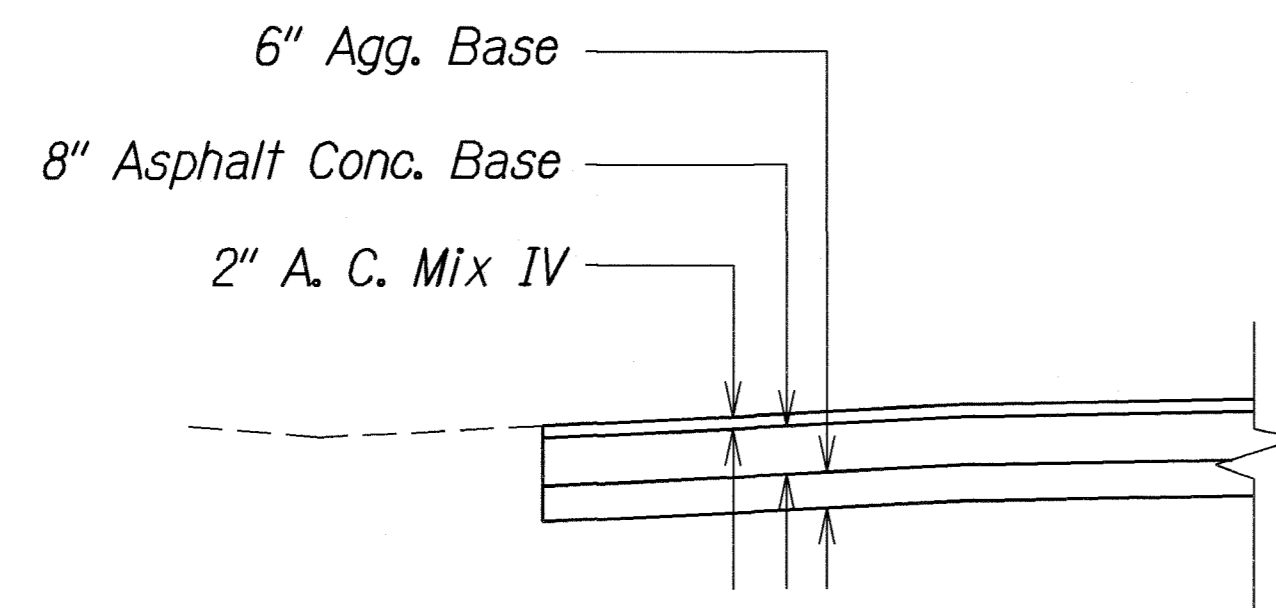
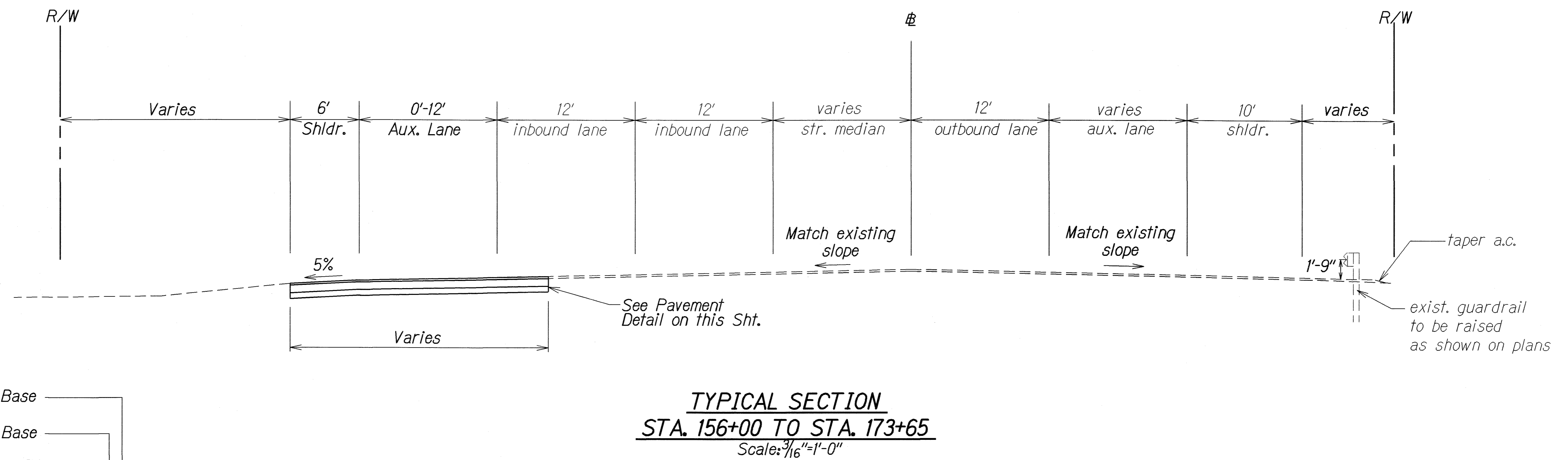
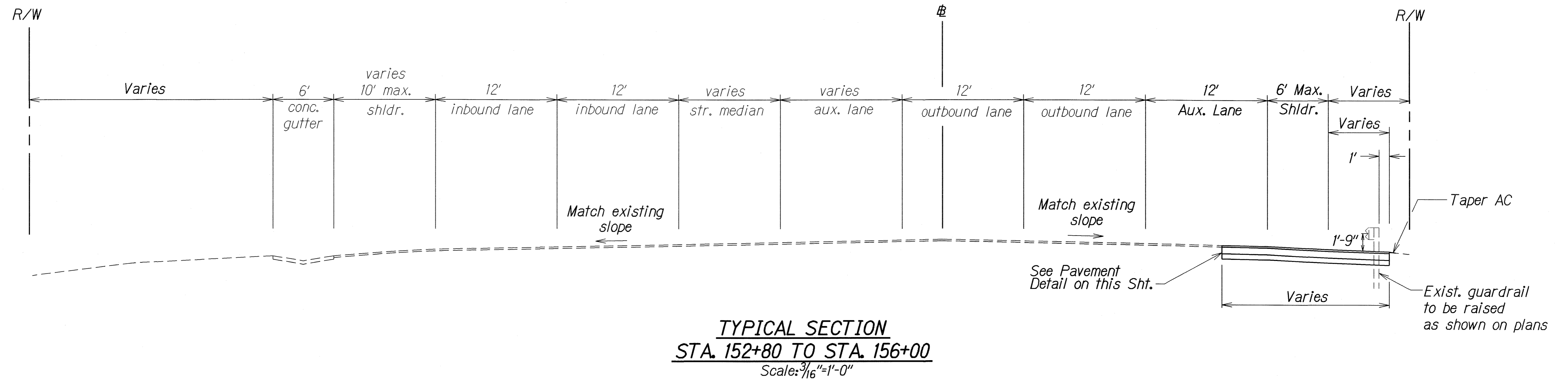
STATE OF HAWAII
 DEPARTMENT OF TRANSPORTATION
 HIGHWAYS DIVISION

TYPICAL SECTIONS & DETAILS
HANA HIGHWAY TRAFFIC
OPERATIONAL IMPROVEMENTS
At Haleakala Highway
Project No. HWY-M-02-08

Scale: As Shown Date: May, 2008

SHEET No. 1 OF 2 SHEETS

FED. ROAD DIST. NO.	STATE	PROJ. NO.	FISCAL YEAR	SHEET NO.	TOTAL SHEETS
HAWAII	HAW.	HWY-M-02-08	2008	6	16



SURVEY PLOTTED BY	DATE
FRACED BY	5/08
DESIGNED BY	DOO. SOLLER
QUANTITIES BY	
CHECKED BY	
ORIGINAL PLAN	
NOTE BOOK	
BY	
CHECKED BY	

STATE OF HAWAII
DEPARTMENT OF TRANSPORTATION
HIGHWAYS DIVISION

TYPICAL SECTIONS & DETAILS
HANA HIGHWAY TRAFFIC
OPERATIONAL IMPROVEMENTS
At Haleakala Highway
Project No. HWY-M-02-08

Scale: As Shown Date: May, 2008

SHEET No. 2 OF 2 SHEETS