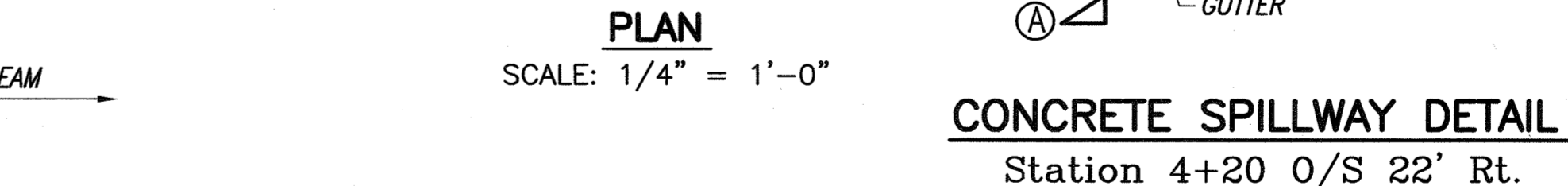
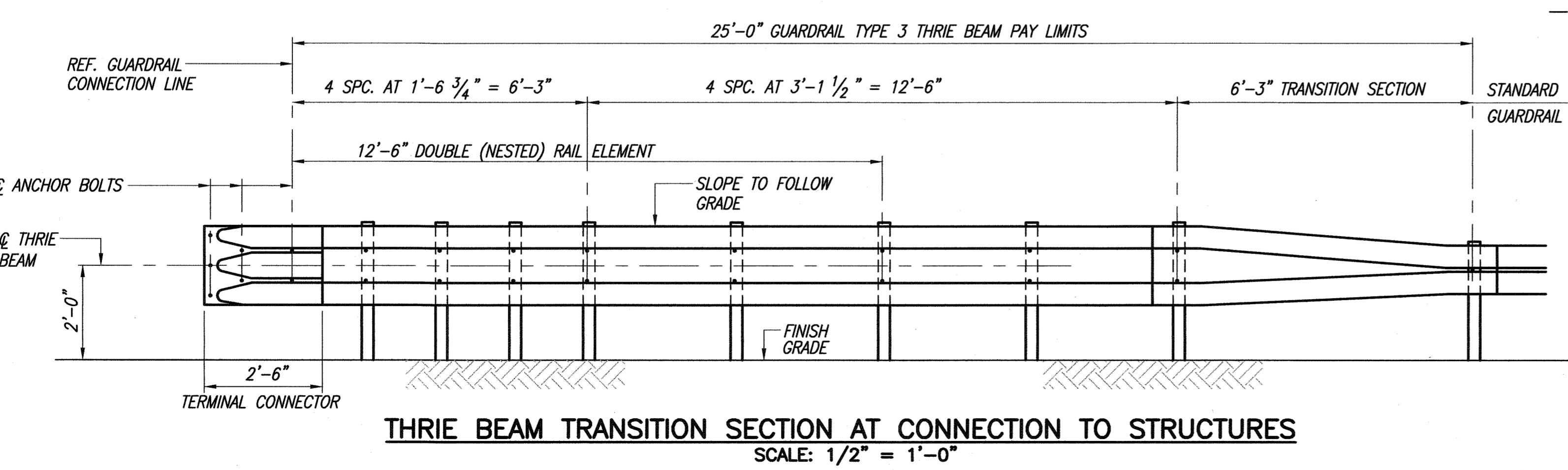
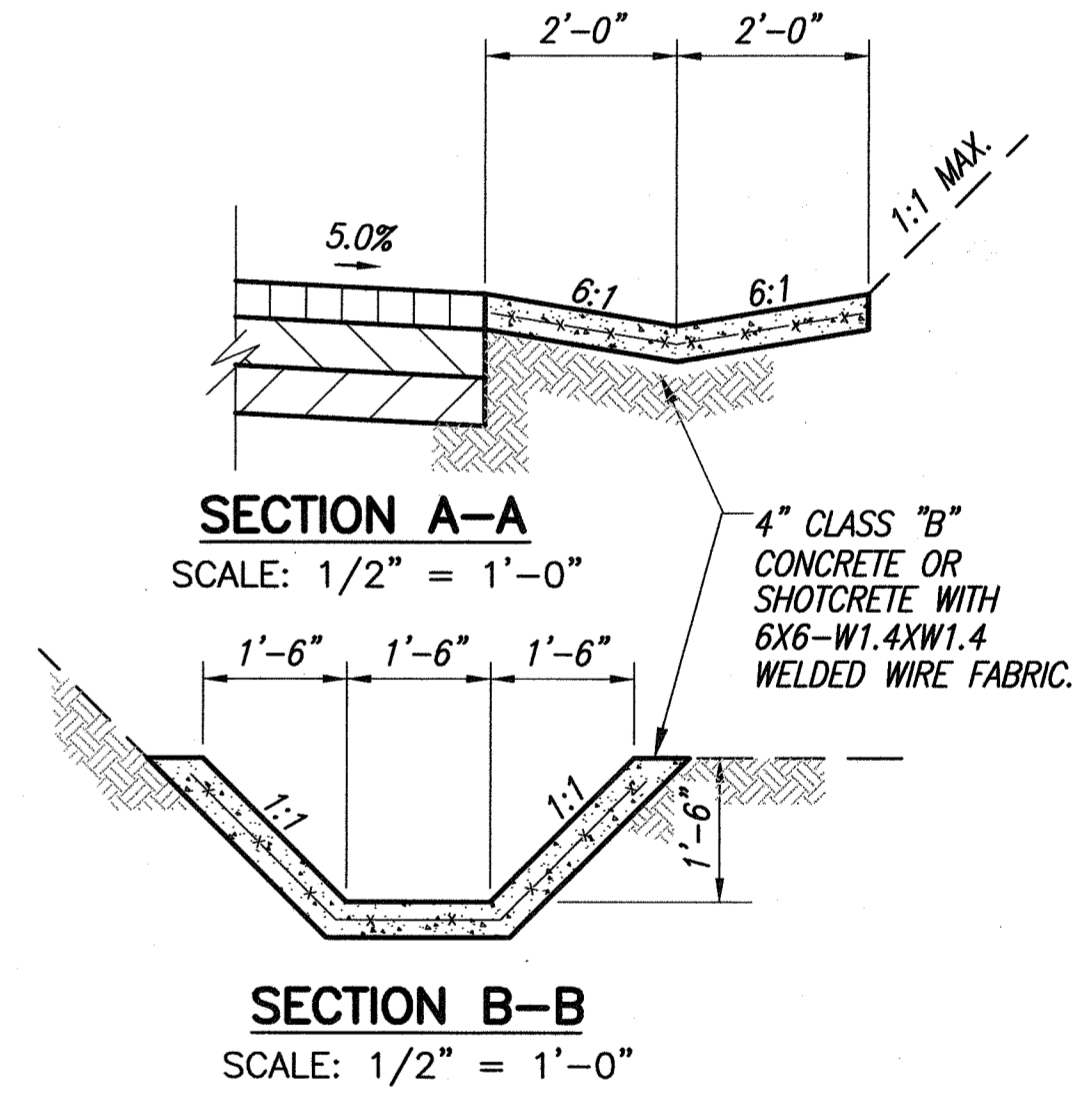
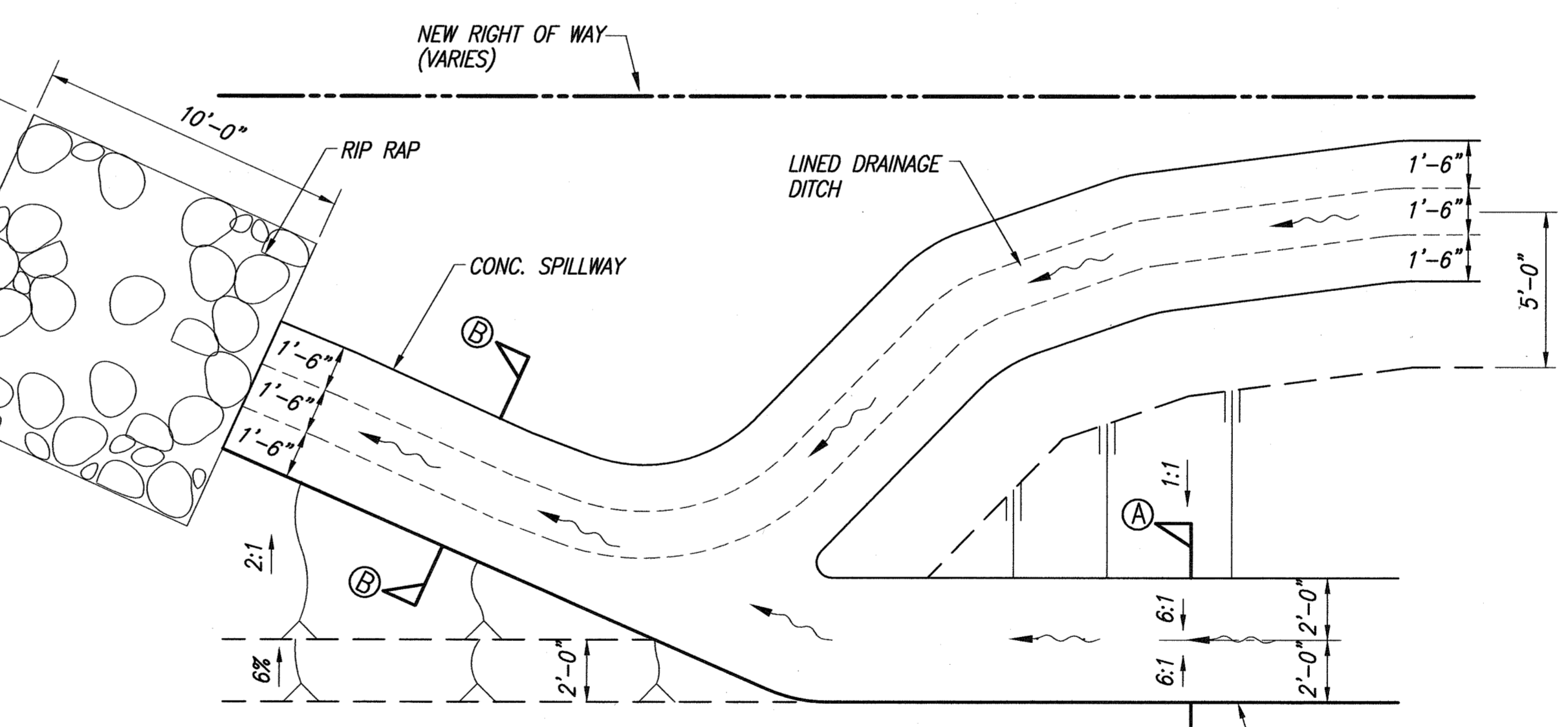
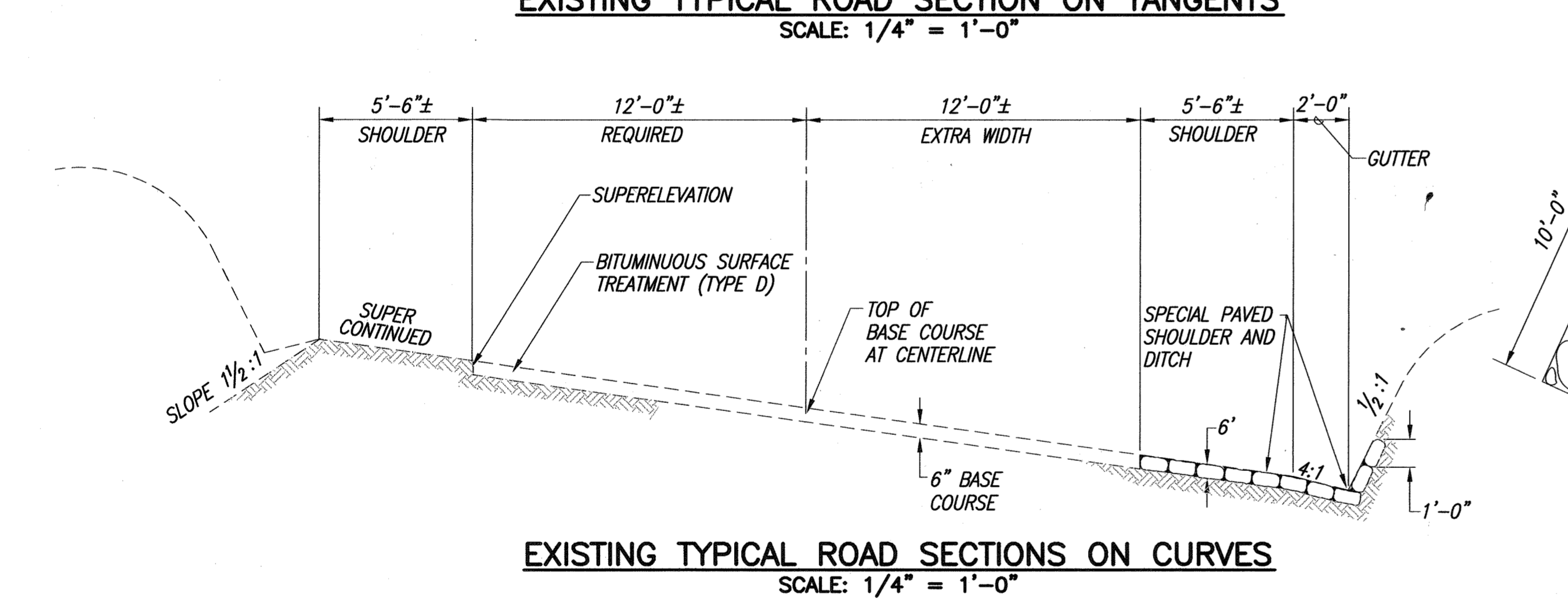
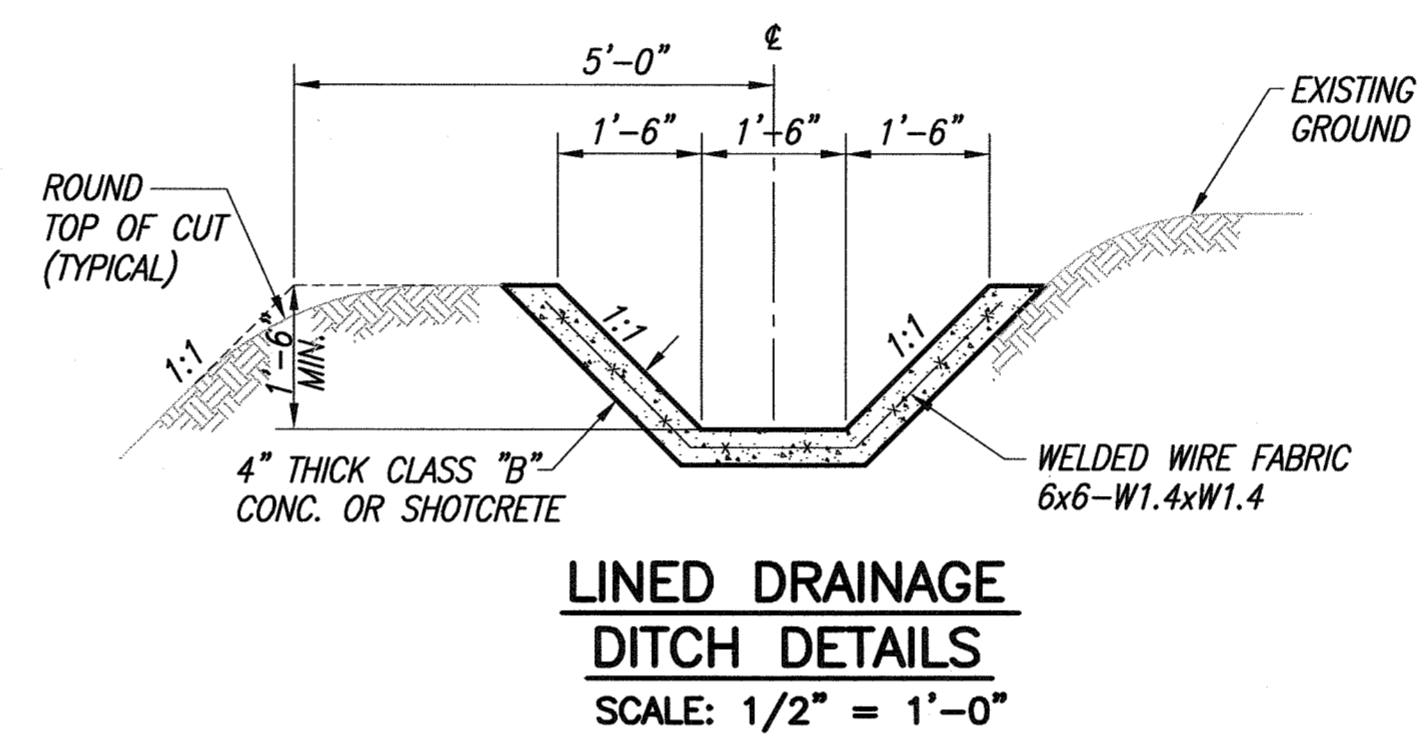
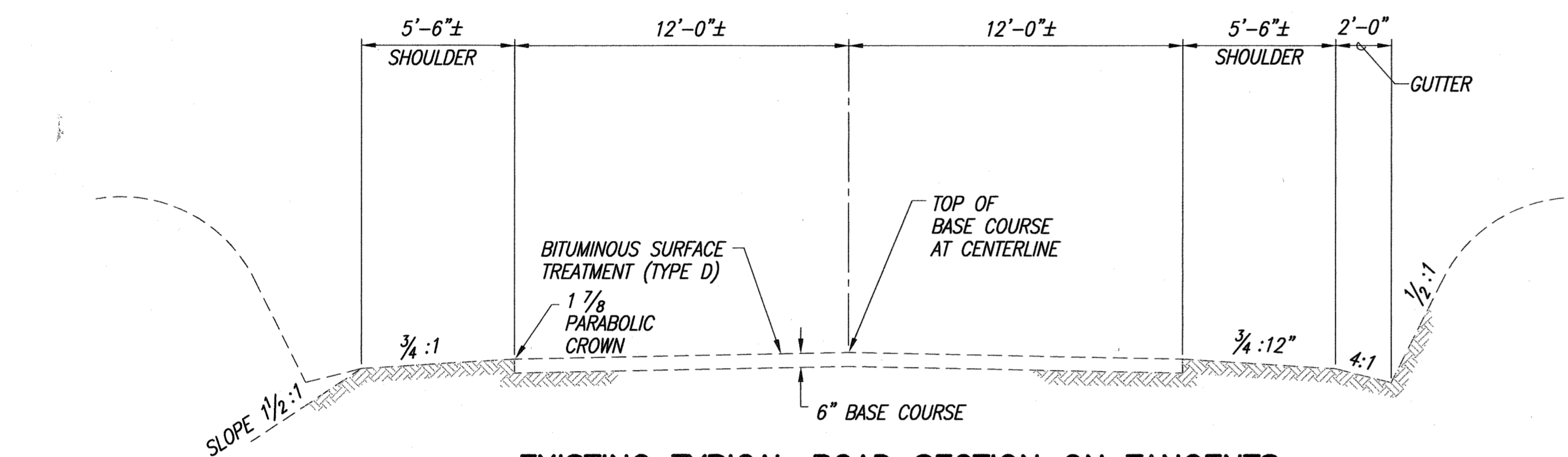
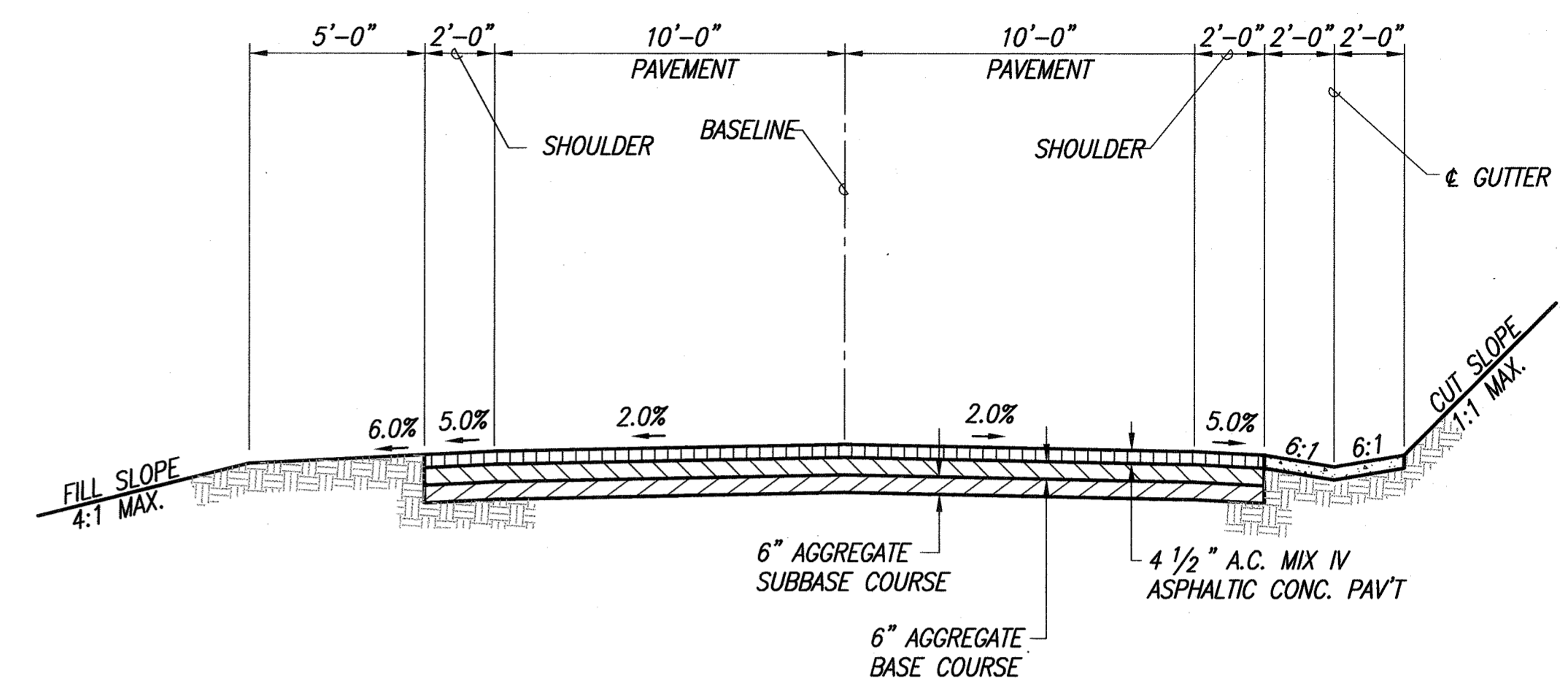
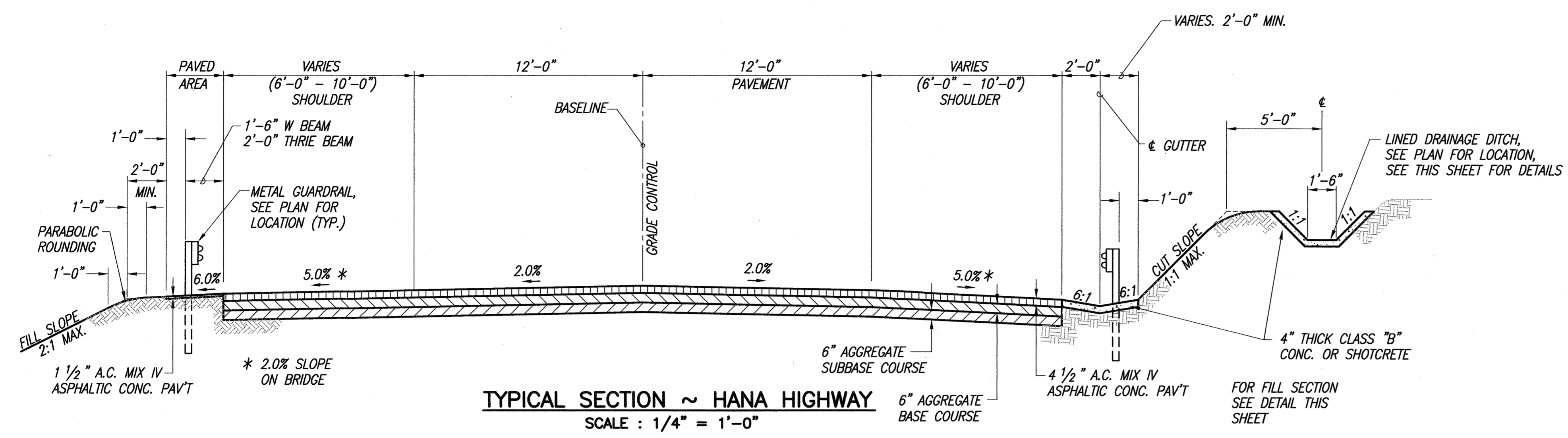


FED. ROAD DIST. NO.	STATE	FED. AID PROJ. NO.	FISCAL YEAR	SHEET NO.	TOTAL SHEETS
HAWAII	HAW.	BR-036-1(14)	2000	11	70



Note:
See Concrete Spillway Detail
For Station 10+76 Rt. On
Sheet C-9A.

LEGEND FOR AS-BUILT POSTINGS

	Squiggly line for as-built deletion
	Double line for as-built deletion
Roadway	Text for as-built posting

STATE OF HAWAII
DEPARTMENT OF TRANSPORTATION
HIGHWAYS DIVISION

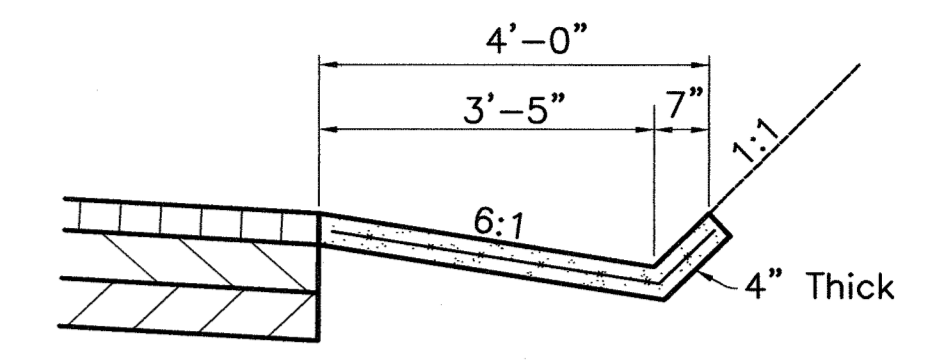
TYPICAL SECTIONS

HANA HIGHWAY
REPLACEMENT OF UAQA BRIDGE AND APPROACHES
DISTRICT OF MAKAWAO
Federal-Aid Project No. BR-036-1(14)

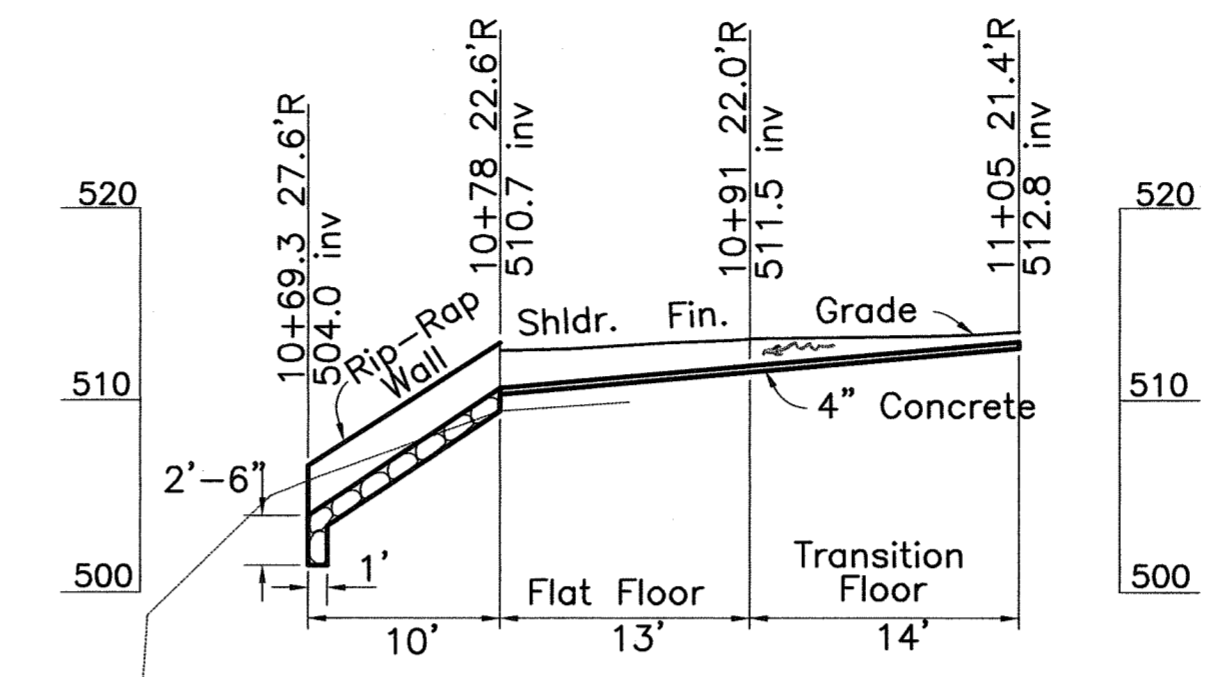
Scale: As Noted Date: May, 1999
SHEET No. C-9 OF 42 SHEETS

\Esh-1\eshEngineering\Projects\1997\034_Uaqa Bridge\As-Built\11-TYP-SEC.dwg, Model, 12/18/2008 4:25:40 PM, 1:4
 SURVEY PLOTTED BY: DATE: _____
 ORIGINAL PLAN: _____
 NOTE BOOK: _____
 DESIGNED BY: _____
 QUANTITIES BY: _____
 CHECKED BY: _____
 No. _____
 f:\TYP-SEC.DWG d:\UAQA(ESH-1) 1=4 3/16/00.FV

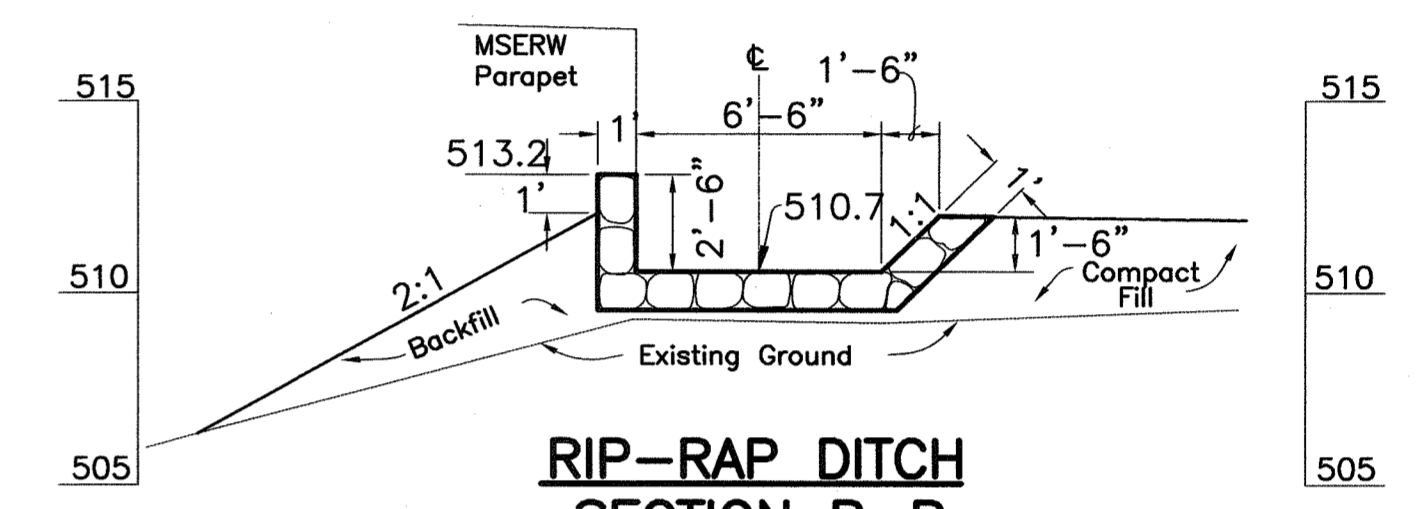
FED. ROAD DIST. NO.	STATE	FED. AID PROJ. NO.	FISCAL YEAR	SHEET NO.	TOTAL SHEETS
HAWAII	HAW.	BR-036-1(14)	2000	11 S-1	70



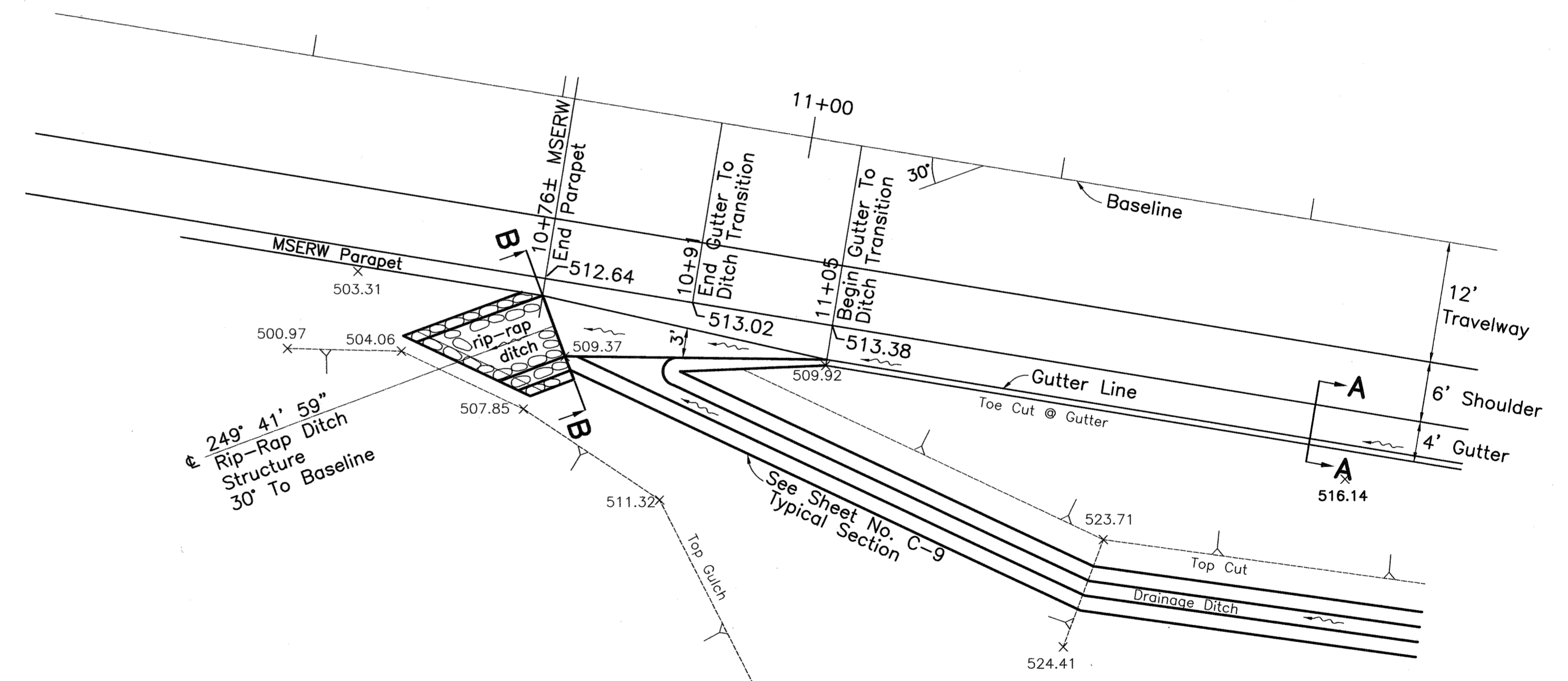
MODIFIED GUTTER
SECTION A-A
SCALE: 1" = 2'



PROFILE
SCALE: 1" = 10'



RIP-RAP DITCH
SECTION B-B
SCALE: 1" = 5'



PLAN
DRAINAGE SPILLWAY
SCALE: 1" = 10'

Note: This tracing prepared during "As-Built" posting.

STATE OF HAWAII
DEPARTMENT OF TRANSPORTATION
HIGHWAYS DIVISION

CONCRETE SPILLWAY
STATION 10+76 20' O/S RIGHT

HANA HIGHWAY
REPLACEMENT OF UAOA BRIDGE AND APPROACHES
DISTRICT OF MAKAWAO
Federal-Aid Project No. BR-036-1(14)

Scale: As Noted Date: May, 1999

SHEET No. C-9A OF 42 SHEETS

\\esh-1\ESH\Engineering\Projects\1997\97-034_Uaoa Bridge\As-Built\11-S-1_TYP-SEC.dwg, Model, 12/19/2008 8:37:15 AM.

ORIGINAL PLAN	DATE
SURVEY PLOTTED BY	
DRAWN BY	
TRACED BY	
DESIGNED BY	
CHECKED BY	
NO.	

;97-34 f:11-S-1 TYP-SEC.DWG ct:UAOA(ESH-1) 1=10 added during As-Built 12/19/2008 ENSH