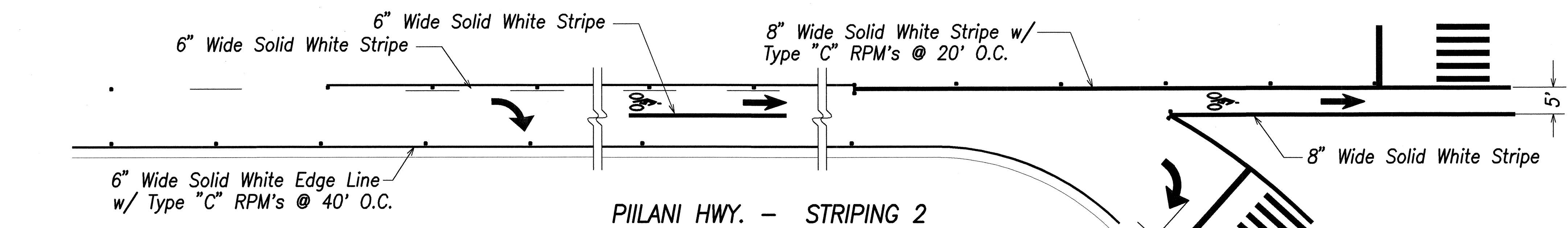
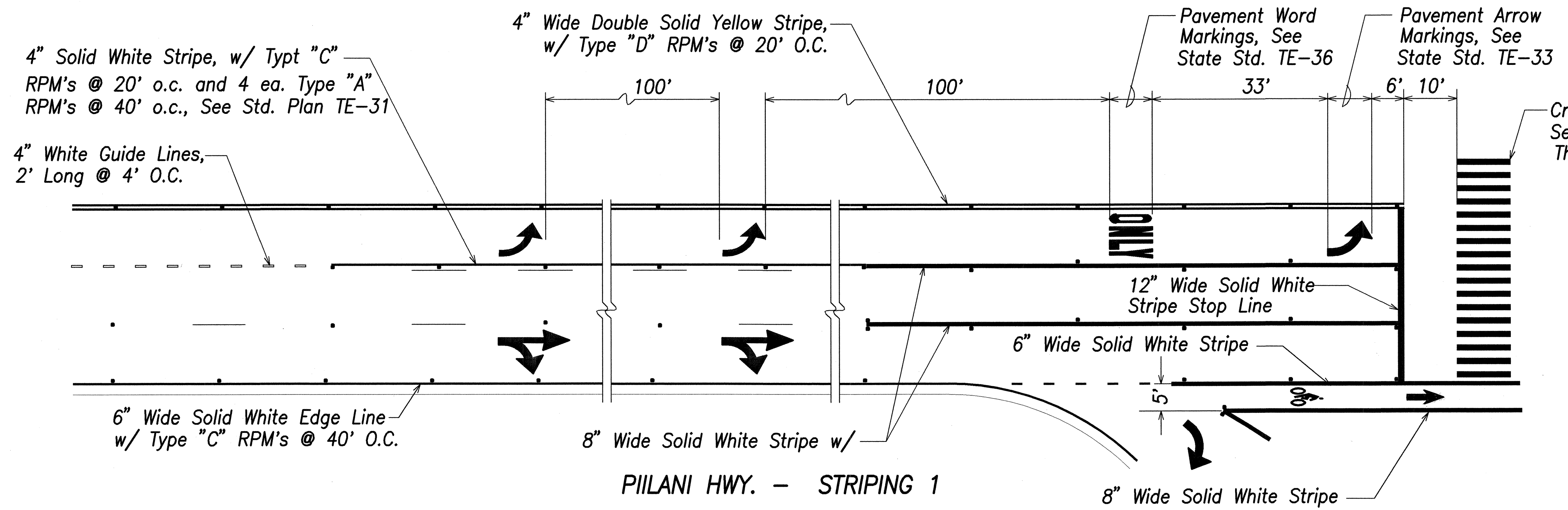
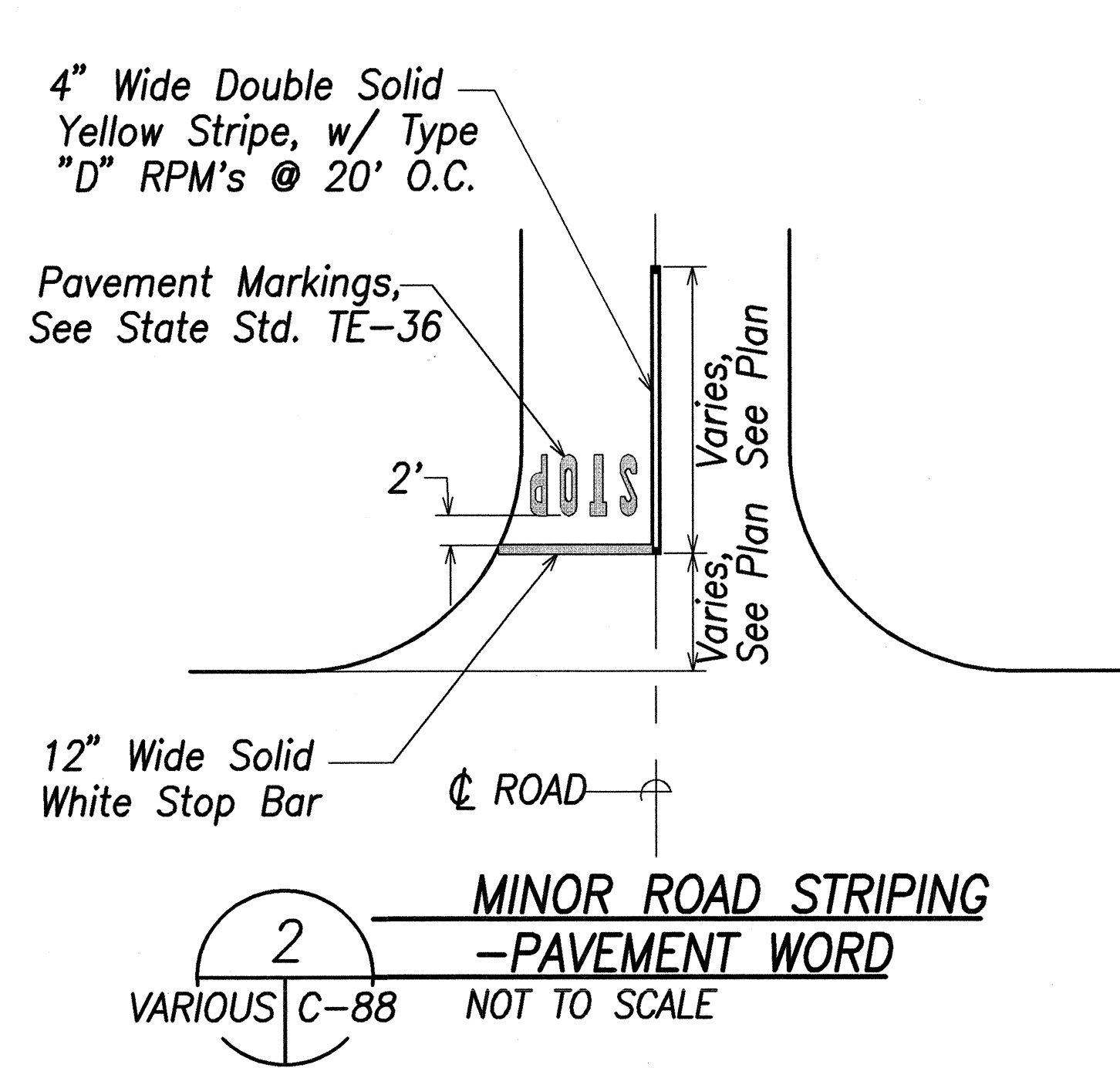


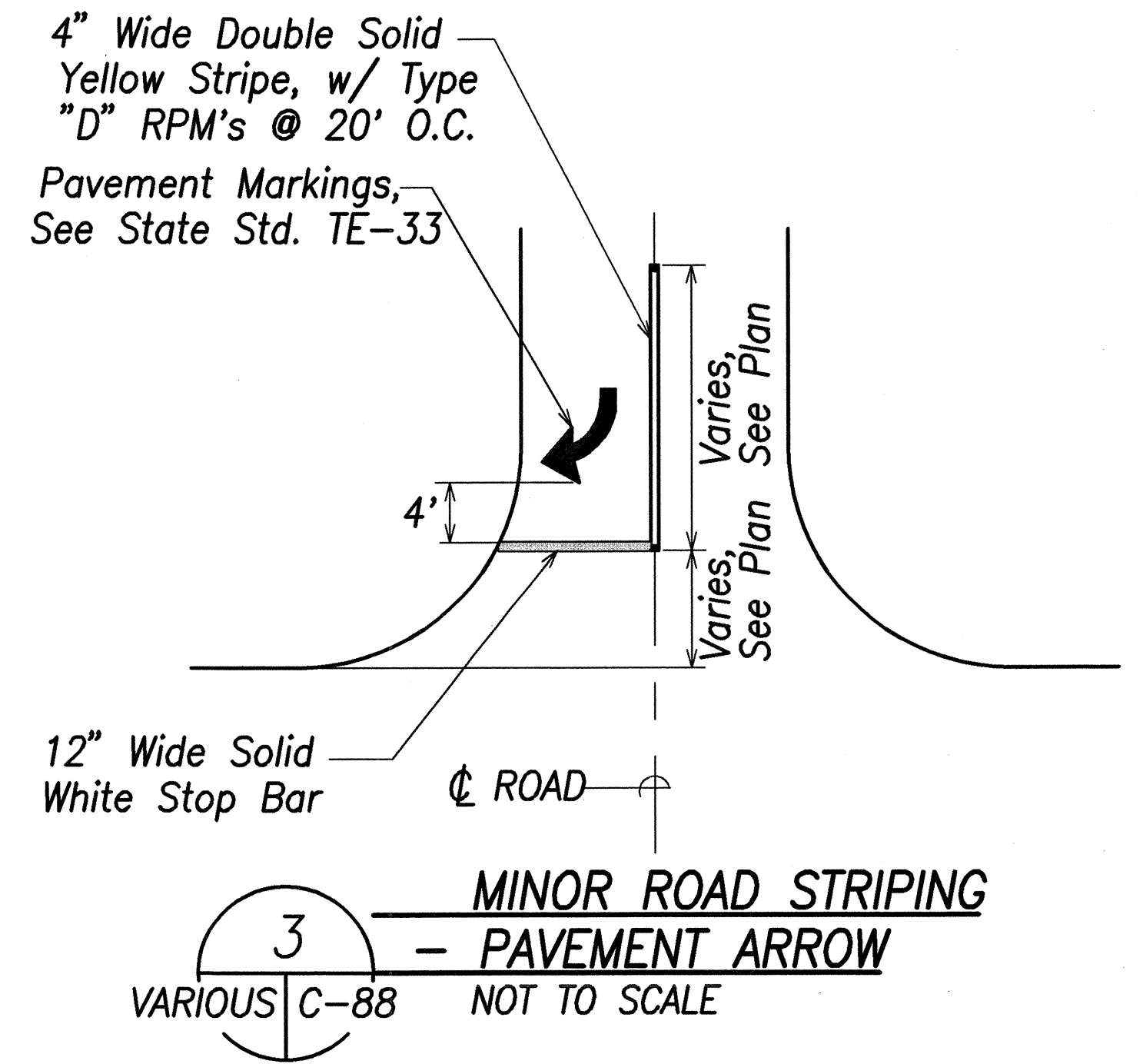
FED. ROAD DIST. NO.	STATE	PROJ. NO.	FISCAL YEAR	SHEET NO.	TOTAL SHEETS
HAWAII	HAW.	31AB-01-02	2002	88	124



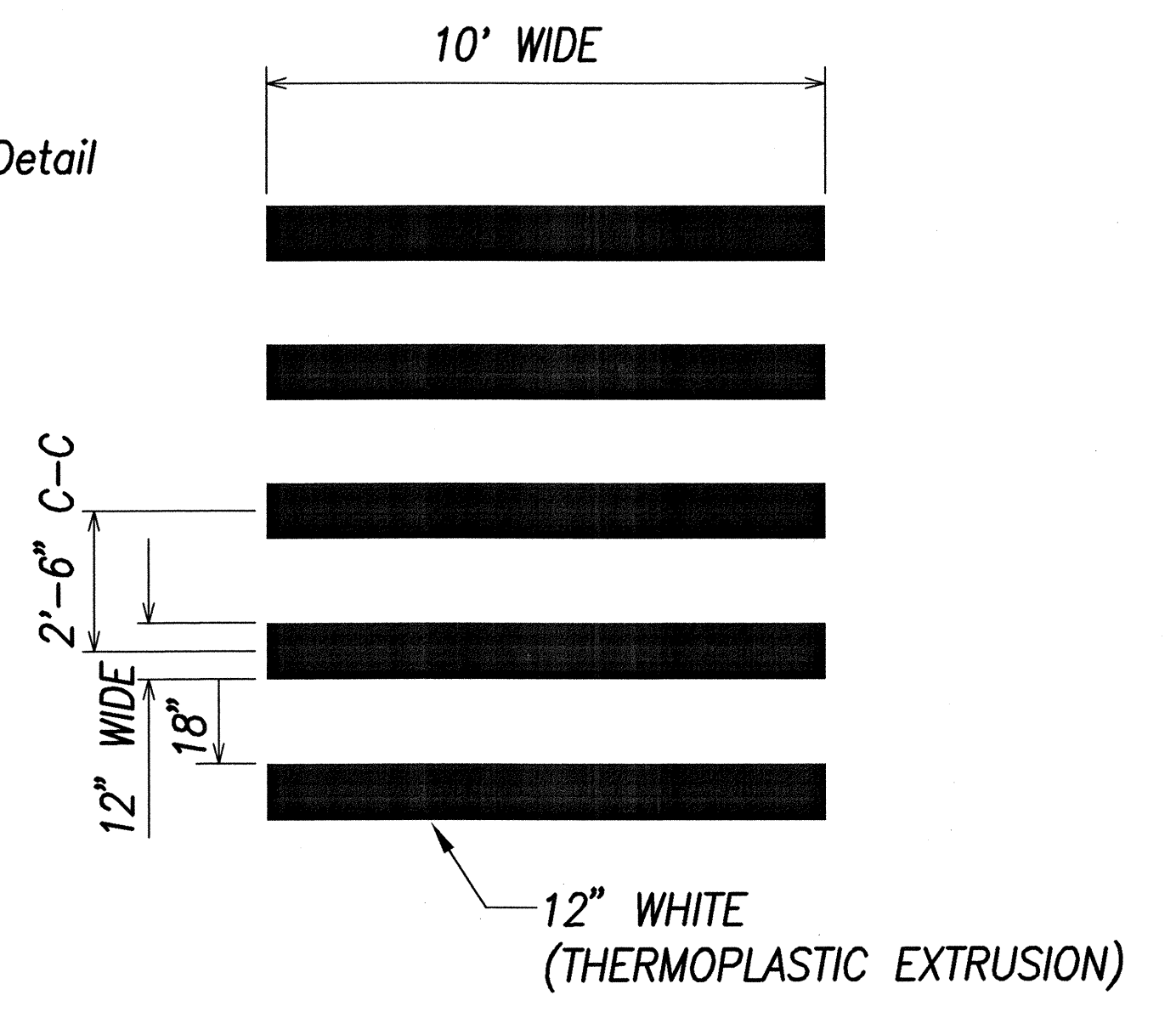
1 PIILANI HWY. - STRIPING
VARIOUS C-88 NOT TO SCALE



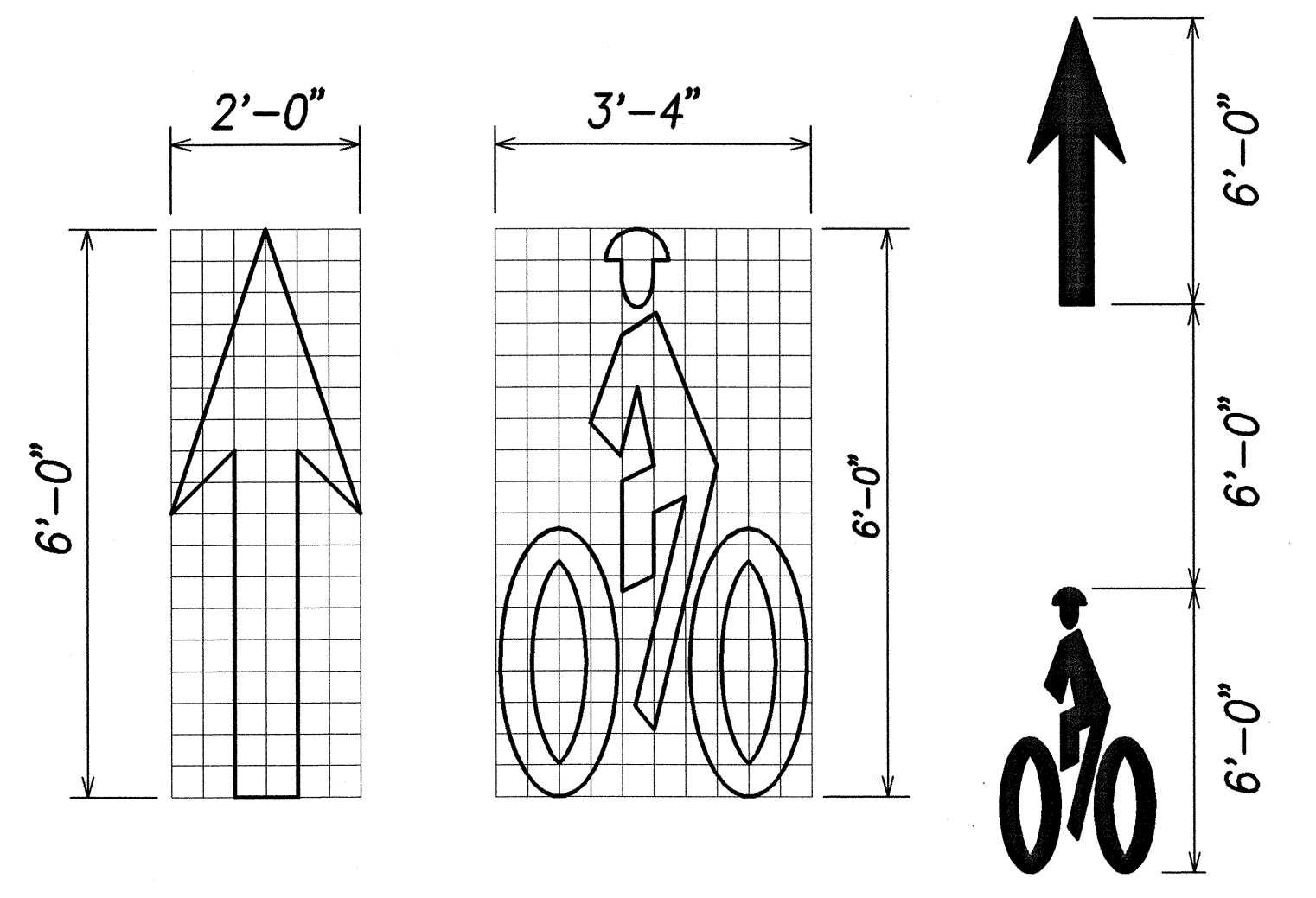
2 MINOR ROAD STRIPING - PAVEMENT WORD
VARIOUS C-88 NOT TO SCALE



3 MINOR ROAD STRIPING - PAVEMENT ARROW
VARIOUS C-88 NOT TO SCALE



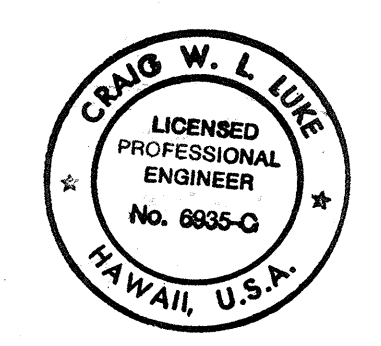
PEDESTRIAN CROSSWALK
NOT TO SCALE



NOTE:
□ = 4" x 4"

BIKE LANE PAVEMENT MARKINGS
NOT TO SCALE

SURVEY PLOTTED BY	DATE
DRAWN BY	
TRACED BY	
DESIGNED BY	
CHECKED BY	
ORIGINAL PLAN	
NOTE BOOK	
No.	



THIS WORK WAS PREPARED BY ME OR UNDER MY SUPERVISION
 SIGNATURE DATE 5/1/02

STATE OF HAWAII
 DEPARTMENT OF TRANSPORTATION
 HIGHWAYS DIVISION

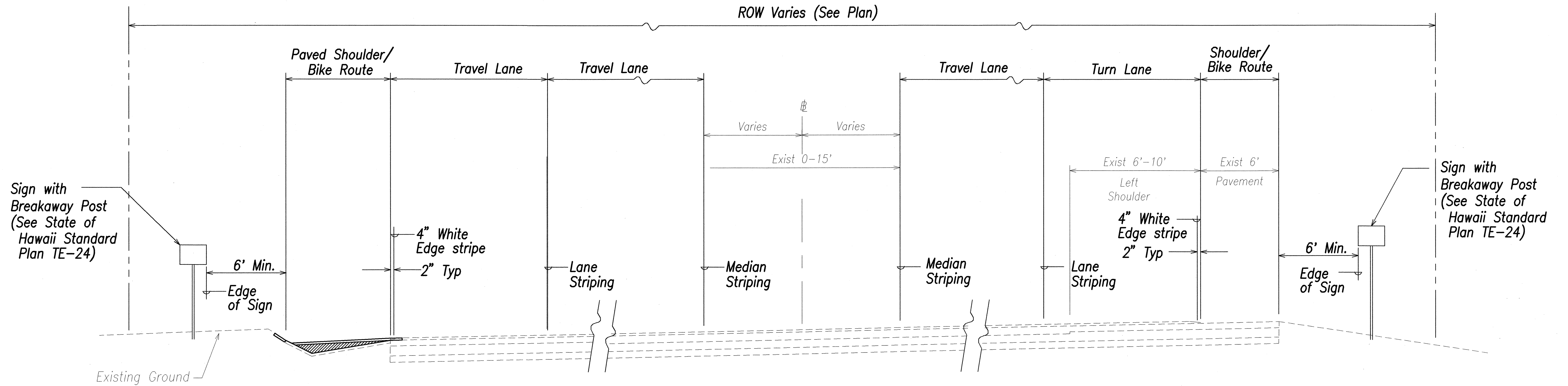
STRIPING DETAILS - 1

PIILANI HIGHWAY INTERIM WIDENING
 Project No. 31AB-01-02

Scale: As Shown Date: May 1, 2002

SHEET No. C-86 OF 124 SHEETS

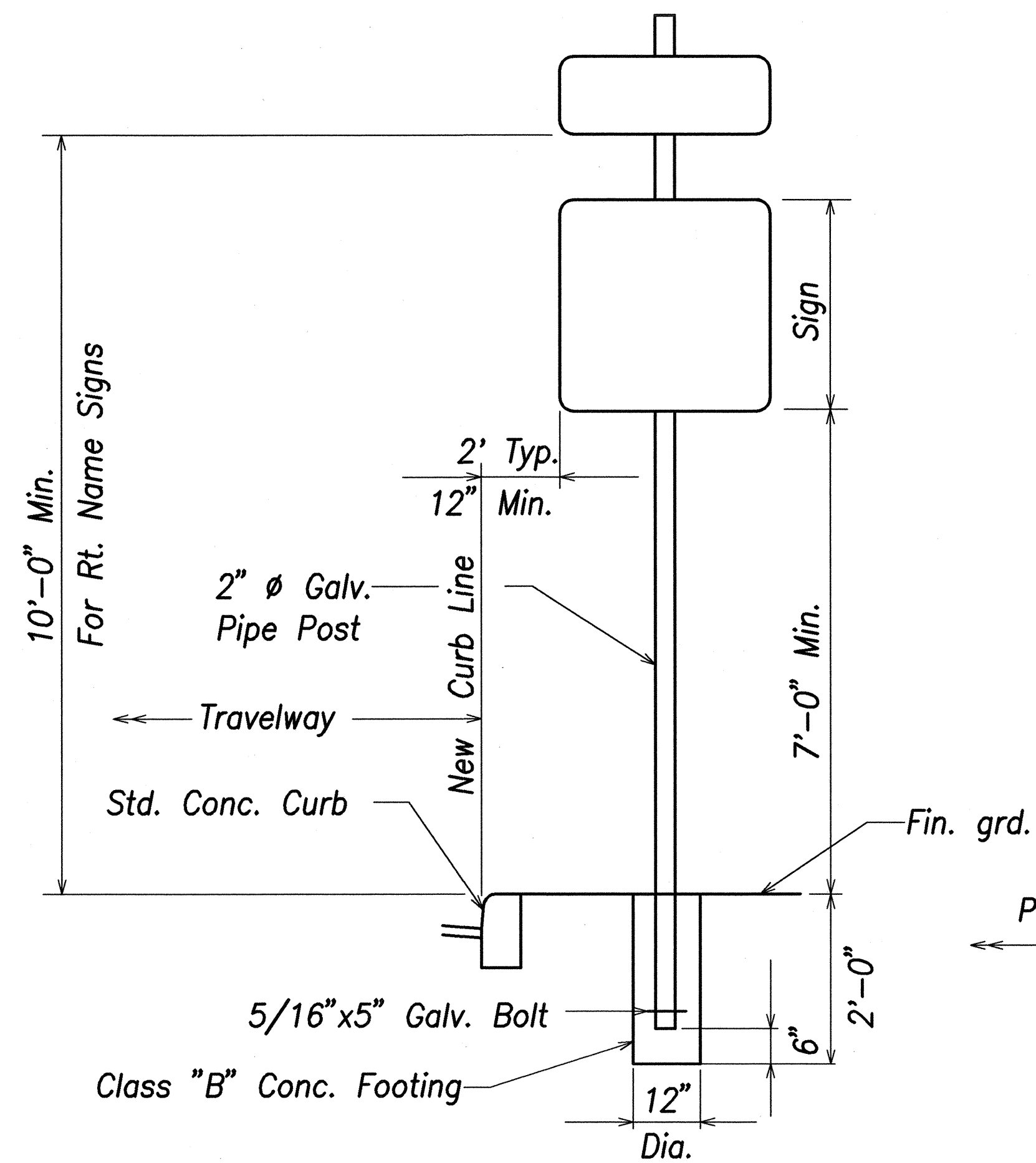
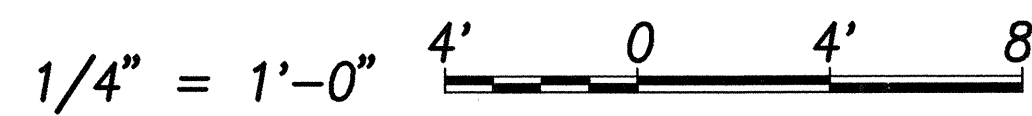
FED. ROAD DIST. NO.	STATE	PROJ. NO.	FISCAL YEAR	SHEET NO.	TOTAL SHEETS
HAWAII	HAW.	31AB-01-02	2002	89	124



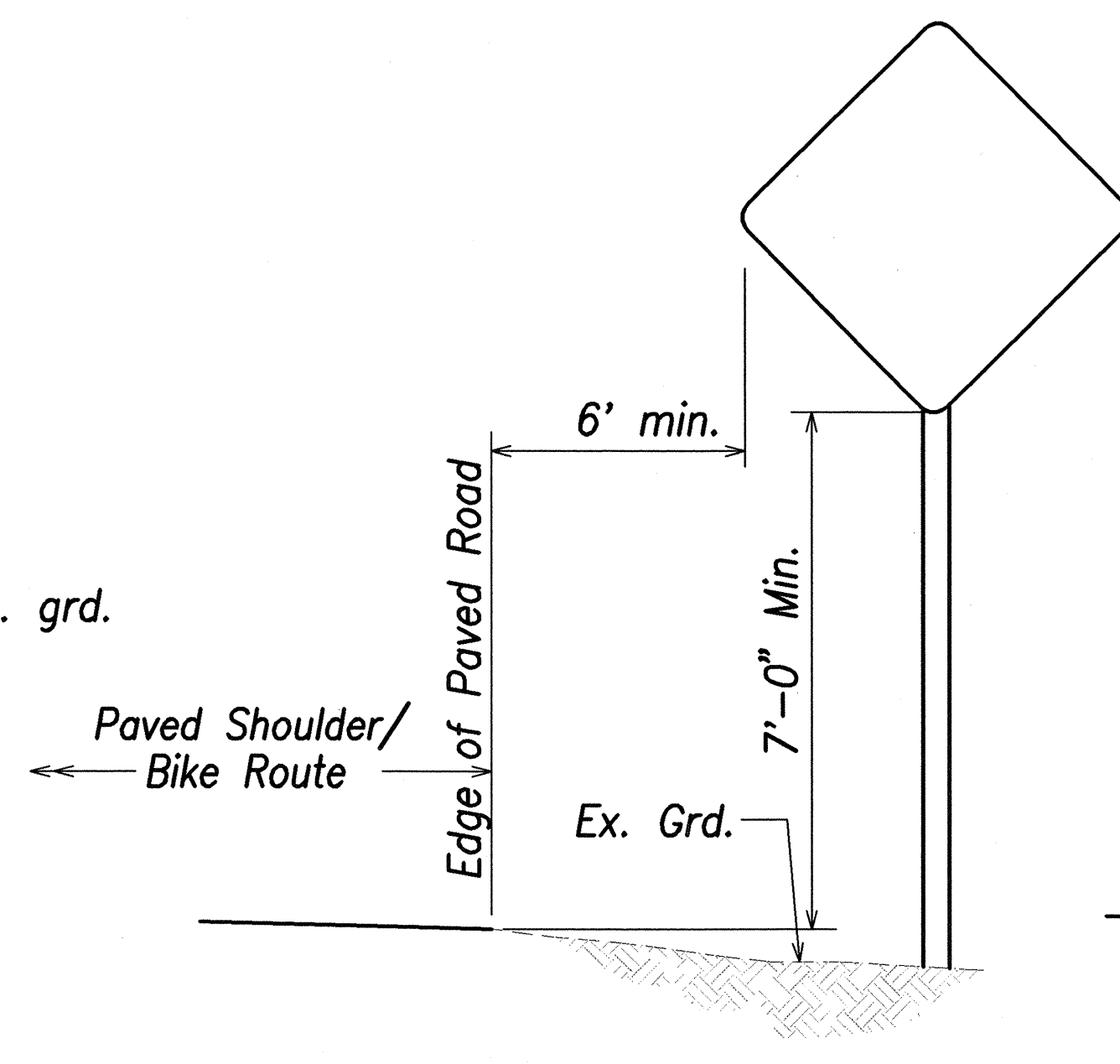
ROADWAY SECTION

Scale: 1/4" = 1'-0"

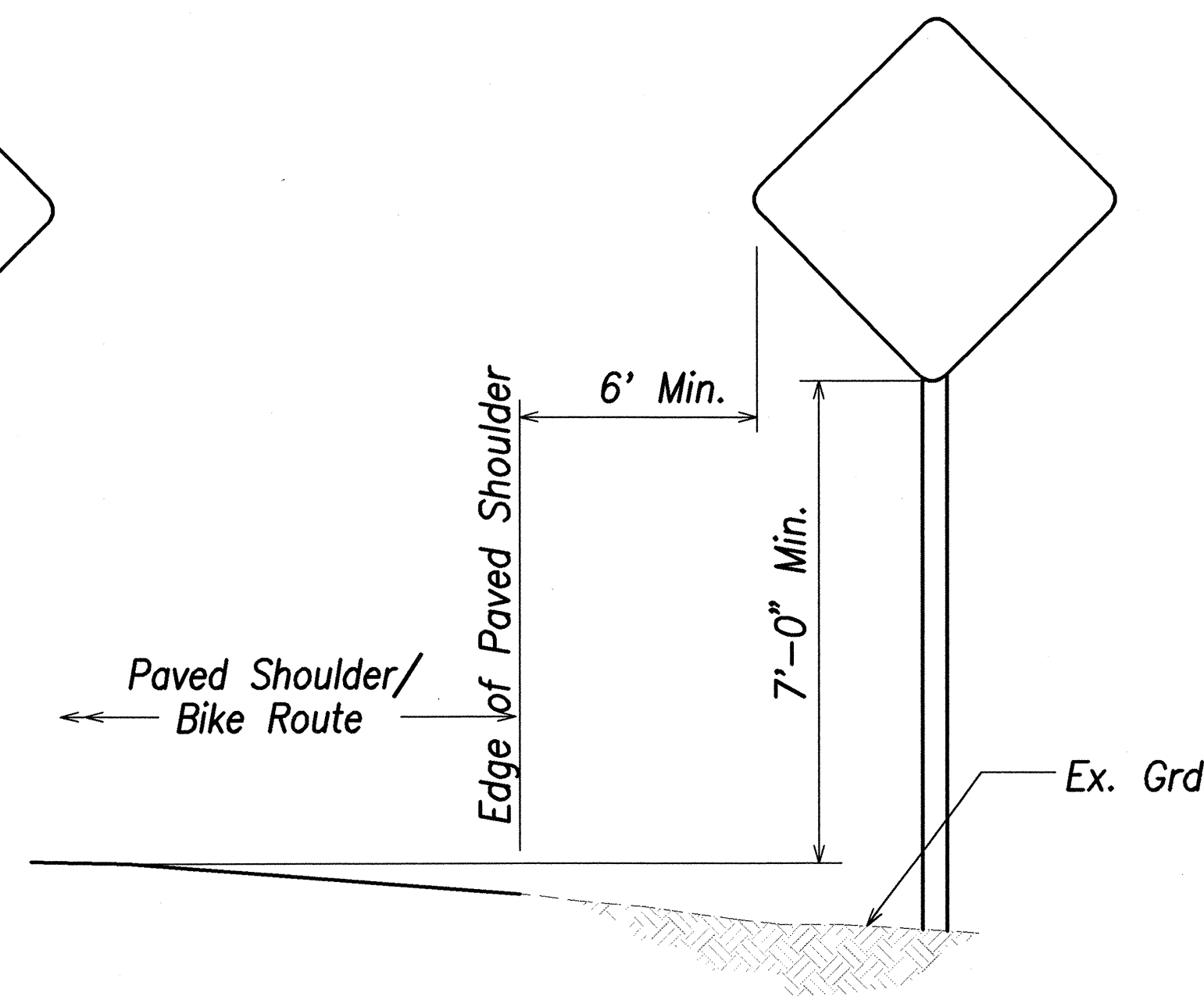
GRAPHIC SCALE



INSTALLATION OF SIGN POST WITH CONC. CURB
NOT TO SCALE

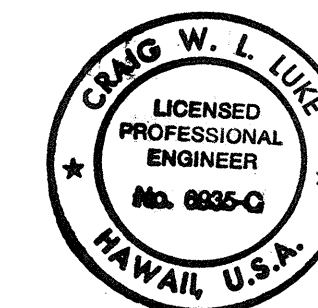


INSTALLATION OF SIGN POST AT EDGE OF ROAD PAVT.
NOT TO SCALE



INSTALLATION OF SIGN POST WITH PAVED SHOULDER
NOT TO SCALE

SURVEY PLOTTED BY	DATE
DRAWN BY	
TRACED BY	
DESIGNED BY	
CHECKED BY	
ORIGINAL PLAN	
NOTE BOOK	
No.	



THIS WORK WAS PREPARED BY ME OR UNDER MY SUPERVISION
 SIGNATURE DATE

STATE OF HAWAII
 DEPARTMENT OF TRANSPORTATION
 HIGHWAYS DIVISION

STRIPING DETAILS - 2

PILANI HIGHWAY INTERIM WIDENING
 Project No. 31AB-01-02

Scale: As Shown Date: May 1, 2002

SHEET No.C-87 OF 124 SHEETS