
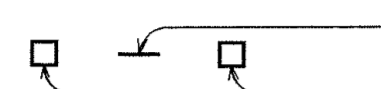
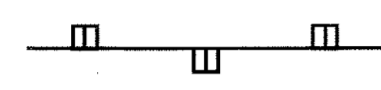
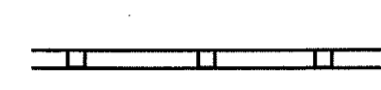










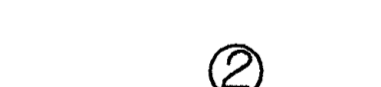
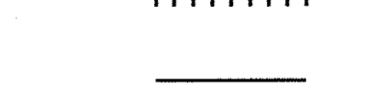
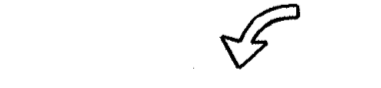

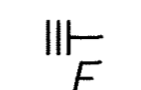
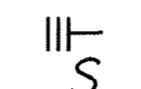


FED. ROAD DIST. NO.	STATE	FED. AID PROJ. NO.	FISCAL YEAR	SHEET NO.	TOTAL SHEETS
HAWAII	HAW.	BR-NH-030-1(24)	2000	C.O. 127	139

**LEGEND**

-  4 each Type A Raised Pavement Markers  
Type C Raised Pavement Markers @ 40'-0" o.c.
-  4 each Type J Raised Pavement Markers  
Type D Raised Pavement Markers @ 40'-0" o.c.
-  8" White Stripe with Type C Raised Pavement Markers @ 20'-0" o.c. (Tape, Type I or Thermoplastic Extrusion)
-  4" Double Solid Yellow with Type D Raised Pavement Markers @ 20'-0" o.c. (Tape, Type I or Thermoplastic Extrusion))
-  4" Double Solid Yellow Stripes with Type H Raised Pavement Markers @ 20'-0" o.c. (Tape, Type II or Thermoplastic Extrusion))
-  4" Yellow Edge Stripe with Type H Raised Pavement Markers @ 40'-0" o.c. (Tape, Type II or Thermoplastic Extrusion))
-  4" Double Solid White Stripes with Type C Raised Pavement Markers @ 20'-0" o.c. (Tape, Type I or Thermoplastic Extrusion)
-  Lane Change Restriction Marking  
4 each Type A Raised Pavement Markers  
Type C Raised Pavement Markers @ 20'-0" o.c.  
4" White Stripe (Tape, Type I or Thermoplastic Extrusion)
-  4" or 8" White Edge Stripe with Type C Raised Pavement Markers @ 40'-0" o.c. (Tape, Type II or Thermoplastic Extrusion)
-  4" White Guide Lines (Tape, Type III or Thermoplastic Extrusion)
-  Transverse Median Marking (Tape, Type II or Thermoplastic Extrusion)
-  Transverse Shoulder Marking (Tape, Type II or Thermoplastic Extrusion)
-  Channelizing Island or Deceleration Lane Gore (Tape, Type II or Thermoplastic Extrusion)
-  Crosswalk and Stop Line. All Stop Lines shall be 10'-0" from Crosswalk unless otherwise noted. The circled number indicates the number of lanes for payment (Tape, Type III or Thermoplastic Extrusion)
-  Pavement Arrow (Tape, Type III or Thermoplastic Extrusion)
-  Pavement Word (Tape, Type III or Thermoplastic Extrusion)
-  4 Each Type J Raised Pavement Markers  
Type D Raised Pavement Markers @ 40'-0" o.c.  
Type H Raised Pavement Markers (Reflective Surface facing no-passing direction)  
4" Single Solid Yellow Stripe (Tape, Type I or Thermoplastic Extrusion)
-  Extension of Edge Line, 4" Wide x 2'-0" Long White Stripe @ 10'-0" o.c. w/Type C Markers @ 40'-0" o.c. (Tape, Type III or Thermoplastic Extrusion)

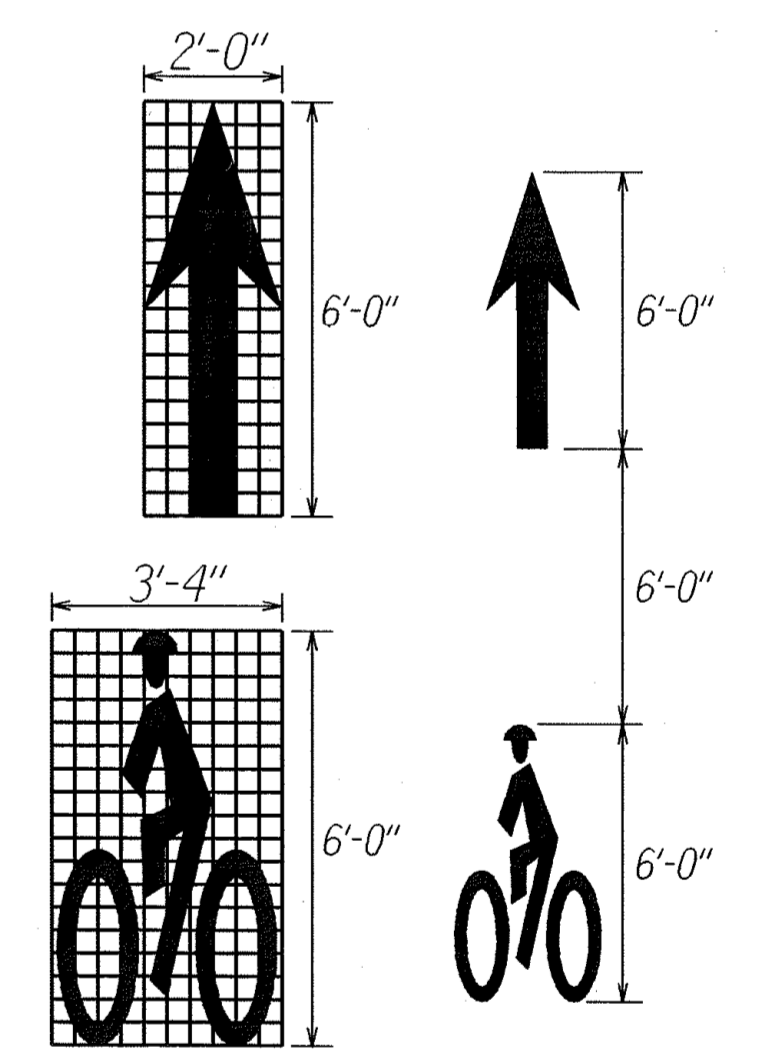
**LEGEND**

-  Reflector Marker (RM-3) with Flexible Delineator Post
-  Reflector Marker (RM-3) with Steel Post

**NOTES**

1. Layout of pavement markings and striping shall be done by the Contractor and approved by the Engineer prior to any installation work.
2. Existing pavement markings not incorporated in the final traffic pattern shall be removed as directed by the Engineer. Costs shall be incidental to the various pavement marking items.
3. Raised pavement markers shall not be installed within crosswalks.
4. Final locations of all signs shall be approved by the Engineer prior to any installation work.
5. Existing signs not shown on these plans shall remain as posted unless otherwise directed by the Engineer. Removal and disposal of existing signs and/or posts as designated on these plans shall be incidental to the various signing items.
6. Final locations of all Stop Lines shall be approved by the Engineer prior to installation
7. All pavement striping shall be as noted on the legend or plans.
8. All preformed pavement marking tapes over existing pavement shall be applied with an approved primer as recommended by the tape manufacturer and as approved by the Engineer. The primer shall be allowed to dry to the tacky stage prior to tape application
9. The Contractor shall erect at the beginning of the project and at the end of the project advance construction warning signs placed as indicated on the plans or as directed by the Engineer for the duration of the highway project and shall be maintained by the Contractor. These signs shall be placed in addition to the required traffic control signs called for in Section 645 - Traffic Control. The advance construction warning signs shall be new and become the property of the State. The Contractor shall remove, clean, and deliver the signs and posts to the District Baseyard, or as directed by the Engineer, upon the completion of the project.
10. Route Marker Symbols shall conform to details shown on the plans and as specified in the MUTCD.
11. All sign panels shall conform to Section 621 of the Special Provisions and the latest editions and amendments of the following FHWA publications:
  - a. "Manual On Uniform Traffic Control Devices For Streets and Highway (MUTCD)
  - b. "Standard Highway Signs"
  - c. "Standard Alphabets For Highway Signs"
12. Borders, messages, arrows, symbols and shields shall conform to details as shown on the plans and as specified in the MUTCD.
13. Sign messages shall be as indicated on the plan.
14. All panels shall be reflectorized in accordance with Section 712.20 of the Standard Specifications. Minimum width of panels shall be 2 ft. abutting edges of panels shall be in only one direction if vertical abutting edges are used, no horizontal abutting edges shall be allowed and vice versa.

15. All new and relocated signs and markers installed on pipe posts, light standard are to be mounted with band brackets and steel braces.
16. Removal of existing delineators and posts shall be considered incidental to the various signing items.
17. New sign panels shall be laminated aluminum or extruded aluminum.
18. Letter Size:
  - a. When letters are all uppercase, use series "E"
  - b. When initial uppercase letter is used in conjunction with lower case letters, use series "E"(M) for uppercase
19. Destination Sign Posts shall be as noted on the plans.
20. Incidental parts and services not shown on the plans or specified but deemed necessary for the sign installation, shall be furnished and installed by the Contractor as part of the work contracted.
21. Removal and disposal of existing sign panels, posts with foundation, luminaires and supports will not be paid for separately, but shall be considered incidental to the various signing items.



BICYCLE SYMBOL PAVEMENT MARKING DETAIL

ORIGINAL PLAN	DATE
SURVEY PLOTTED BY	
DRAWN BY	
DESIGNED BY	
CHECKED BY	
DATE	

DATE	REVISION
7/12/02	Added Bicycle Symbol Pavement Marking Detail to plans

STATE OF HAWAII  
DEPARTMENT OF TRANSPORTATION  
HIGHWAYS DIVISION

**PAVEMENT MARKING**  
**LEGEND, DETAILS & NOTES**

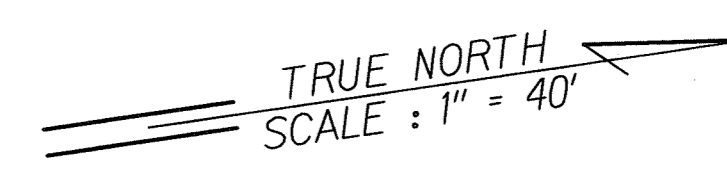
HONOAPILANI HIGHWAY WIDENING  
North Kihei Road to Kuihelani Highway  
F.A. Project No. BR-NH-030-1(24)  
Scale: As Noted Date: July, 2000

SHEET No. 71 OF 13 SHEETS

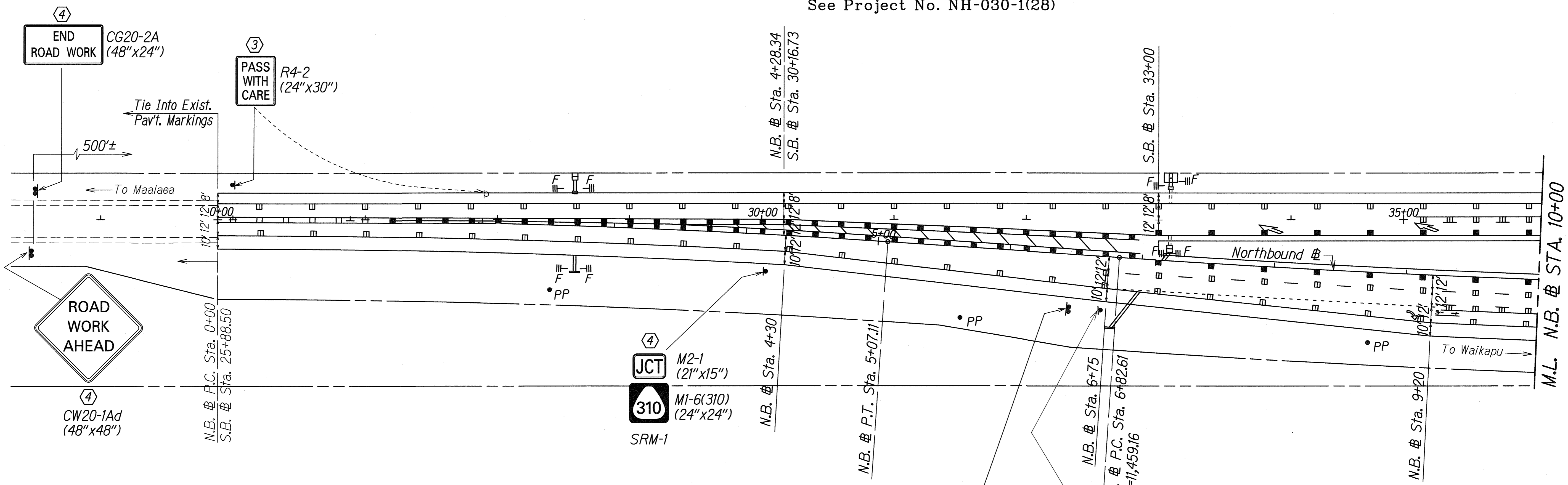
FED. ROAD DIST. NO.	STATE	FED. AID PROJ. NO.	FISCAL YEAR	SHEET NO.	TOTAL SHEETS
HAWAII	HAW.	BR-NH-030-1(24)	2000	C.O. 128	139

**LEGEND FOR AS-BUILT POSTINGS**

~~~~~ Squiggly line for as-built deletion  
 ==~~==~~ Double line for as-built deletion  
 Roadway Text for as-built posting



S.B. Sta. 25+88.5 to S.B. Sta. 36+00  
 See Project No. NH-030-1(28)



N.B. Sta. 0+00 to Sta. 10+00  
 See Project No. NH-030-7(28)

**KEY:**

- ① Exist. Sign(s) & Post(s) to Remain
- ② Remove Exist. Sign(s) & Post(s)
- ③ Remove Exist. Sign(s) w/Post(s) & Install New w/Post(s)
- ④ Install New Sign(s) w/Post(s)
- ⑤ Remove Exist. Sign(s) & Install New on Exist. Post(s)
- ⑥ Remove Exist. Sign(s) & Install New on New Post(s)
- ⑦ Remove Exist. Sign & Install New on Hwy. Light Pole
- ⑧ Install New on Traffic Signal Pole
- ⑨ Remove Exist. Sign(s) & Install New
- ⑩ Remove Exist. Sign & Install New on Overhead Sign Structure Pole
- ⑪ Remove & Reinstall Exist. C&C Street Name Sign on New Post
- ⑫ Install New Sign

|                   |         |
|-------------------|---------|
| SURVEY PLOTTED BY | DATE    |
| DRAWN BY          | 2/19/02 |
| CHECKED BY        |         |
| NOTE BOOK         |         |
| QUANTITIES BY     |         |
| CHECKED BY        |         |

| 7/12/02 | Revised Pavement Markings & Added Signs to Accommodate Bicycle Crossing |
|---------|-------------------------------------------------------------------------|
| DATE    | REVISION                                                                |

STATE OF HAWAII  
 DEPARTMENT OF TRANSPORTATION  
 HIGHWAYS DIVISION

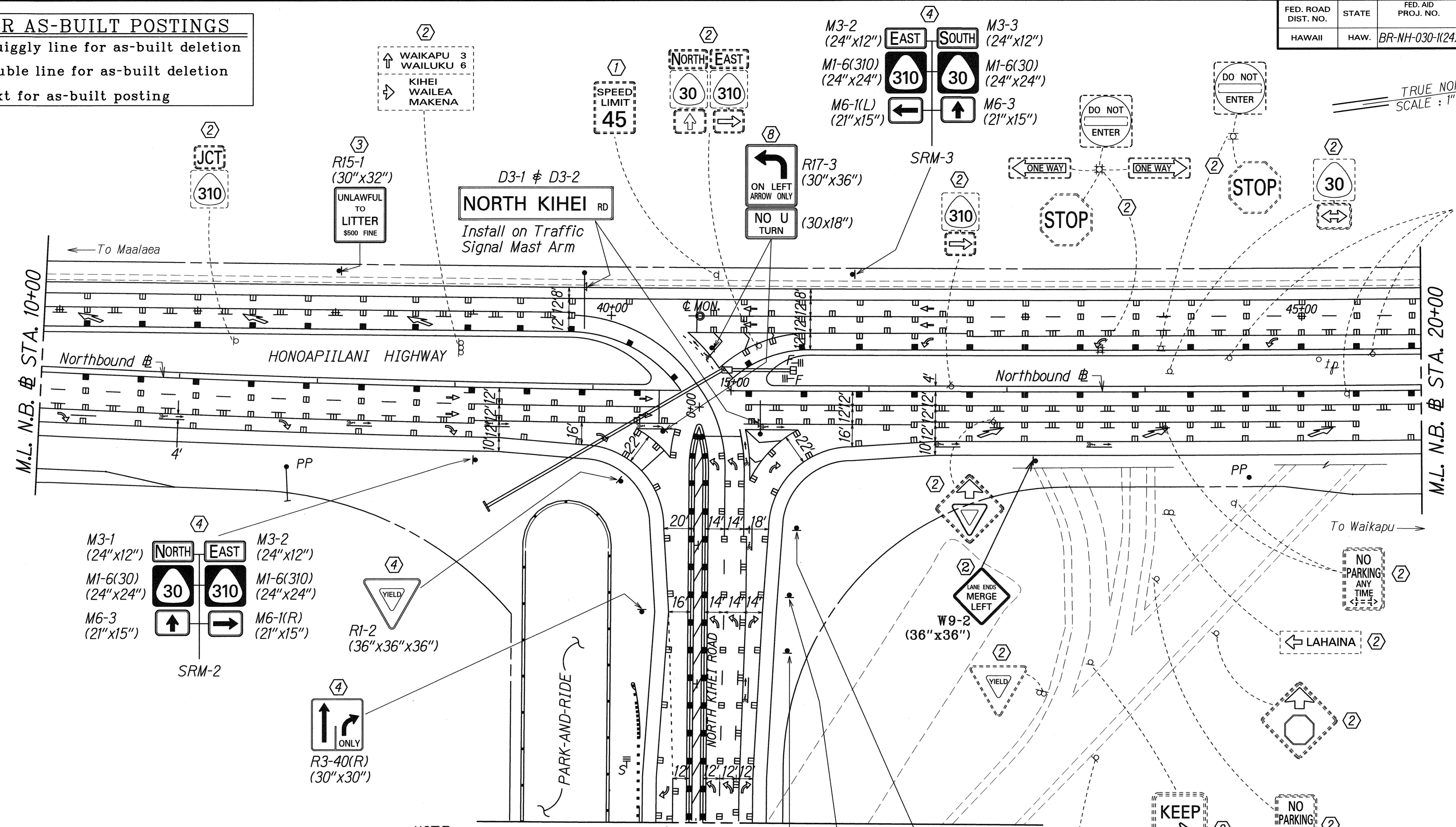
**PAVEMENT MARKING & SIGNING PLAN**

HONOAPILANI HIGHWAY WIDENING  
 North Kihei Road to Kuihelani Highway  
 F.A. Project No. BR-NH-030-1(24)  
 Scale: 1"=40' Date: July, 2000

| FED. ROAD DIST. NO. | STATE | FED. AID PROJ. NO. | FISCAL YEAR | SHEET NO. | TOTAL SHEETS |
|---------------------|-------|--------------------|-------------|-----------|--------------|
| HAWAII              | HAW.  | BR-NH-030-1(24)    | 2000        | C.O. 129  | 139          |

**LEGEND FOR AS-BUILT POSTINGS**

~~~~~ Squiggly line for as-built deletion  
 =-=-= Double line for as-built deletion  
 Roadway Text for as-built posting



- KEY:**
- ① Exist. Sign(s) & Post(s) to Remain
  - ② Remove Exist. Sign(s) & Post(s)
  - ③ Remove Exist. Sign(s) w/Post(s) & Install New w/Post(s)
  - ④ Install New Sign(s) w/Post(s)
  - ⑤ Remove Exist. Sign(s) & Install New on Exist. Post(s)
  - ⑥ Remove Exist. Sign(s) & Install New on New Post(s)
  - ⑦ Remove Exist. Sign & Install New on Hwy. Light Pole
  - ⑧ Install New on Traffic Signal Pole
  - ⑨ Remove Exist. Sign(s) & Install New
  - ⑩ Remove Exist. Sign & Install New on Overhead Sign Structure Pole
  - ⑪ Remove & Reinstall Exist. C&C Street Name Sign on New Post
  - ⑫ Install New Sign

**NOTE:**  
 For Park-and-Ride  
 Pavement Marking and  
 Signing, See Sheet No. T8  
 M.L. STA. 3+00  
 N. KIHAI ROAD  
 SEE SHT. NO. T7

|                   |      |
|-------------------|------|
| SURVEY PLOTTED BY | DATE |
| DRAWN BY          |      |
| DESIGNED BY       |      |
| QUANTITIES BY     |      |
| CHECKED BY        |      |
| ORIGINAL PLAN     |      |
| NOTE BOOK         |      |
| DATE              |      |
| BY                |      |
| CHECKED BY        |      |

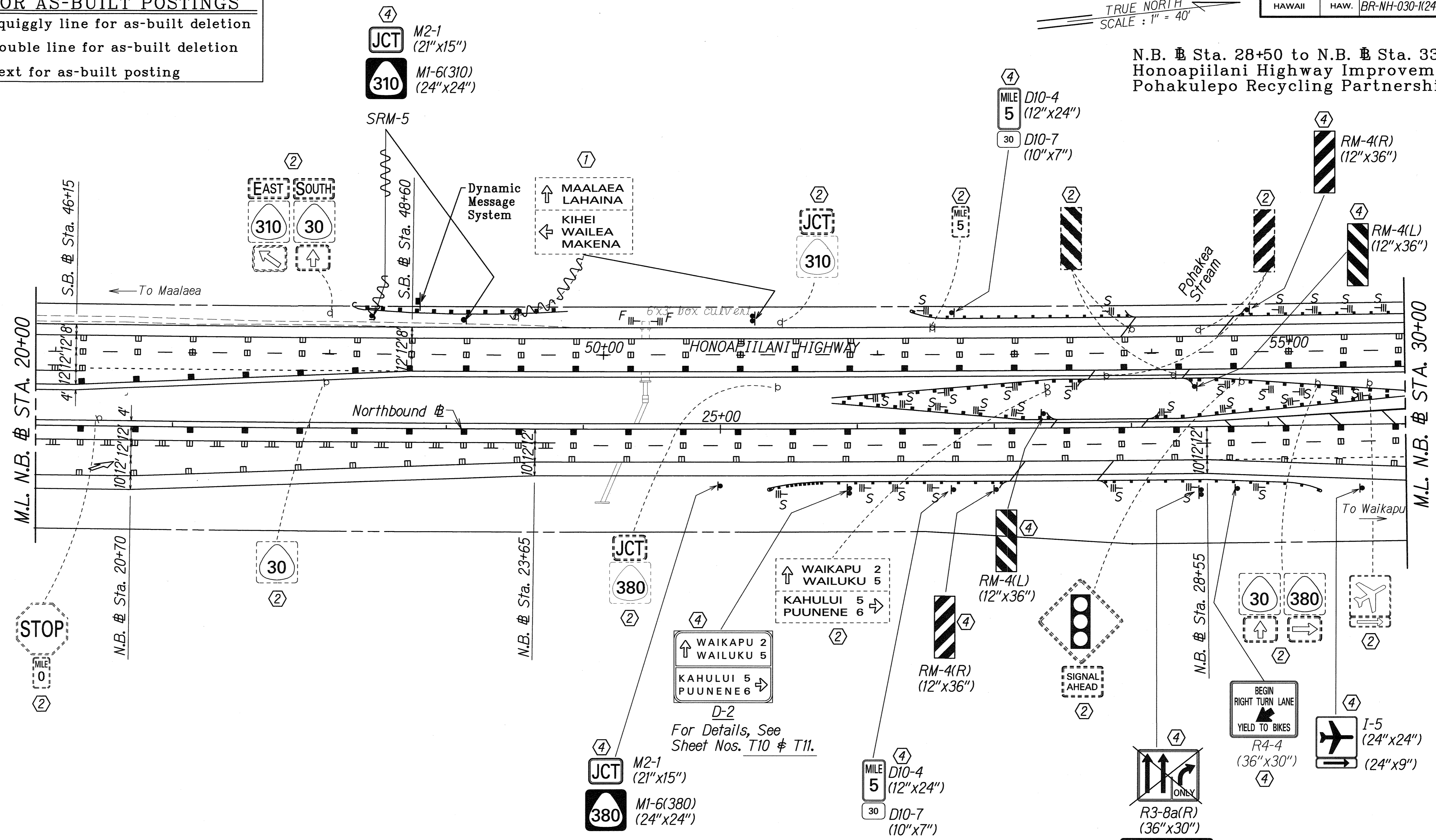
| 7/12/02  | Revised Pavement Markings & Added Signs to Accommodate Bicycle Crossing |
|--|---|
| DATE   | REVISION  |
| STATE OF HAWAII<br>DEPARTMENT OF TRANSPORTATION<br>HIGHWAYS DIVISION                                       |   |
| <b>PAVEMENT MARKING &amp; SIGNING PLAN</b>   |   |
| HONOAPIILANI HIGHWAY WIDENING<br>North Kihei Road to Kuihelani Highway<br>F.A. Project No. BR-NH-030-1(24) |   |
| Scale: 1"=40'  | Date: July, 2000  |
| SHEET No. T3 OF 13 SHEETS  |   |

| FED. ROAD DIST. NO. | STATE | FED. AID PROJ. NO. | FISCAL YEAR | SHEET NO. | TOTAL SHEETS |
|---------------------|-------|--------------------|-------------|-----------|--------------|
| HAWAII              | HAW.  | BR-NH-030-1(24)    | 2000        | C.O. 130  | 139          |

| LEGEND FOR AS-BUILT POSTINGS |                                     |
|------------------------------|-------------------------------------|
|                              | Squiggly line for as-built deletion |
|                              | Double line for as-built deletion   |
| Roadway                      | Text for as-built posting           |

TRUE NORTH  
SCALE: 1" = 40'

N.B. Sta. 28+50 to N.B. Sta. 33+50 Lt. See Honoapiilani Highway Improvements for Pohakulepo Recycling Partnership page #243.



**KEY:**

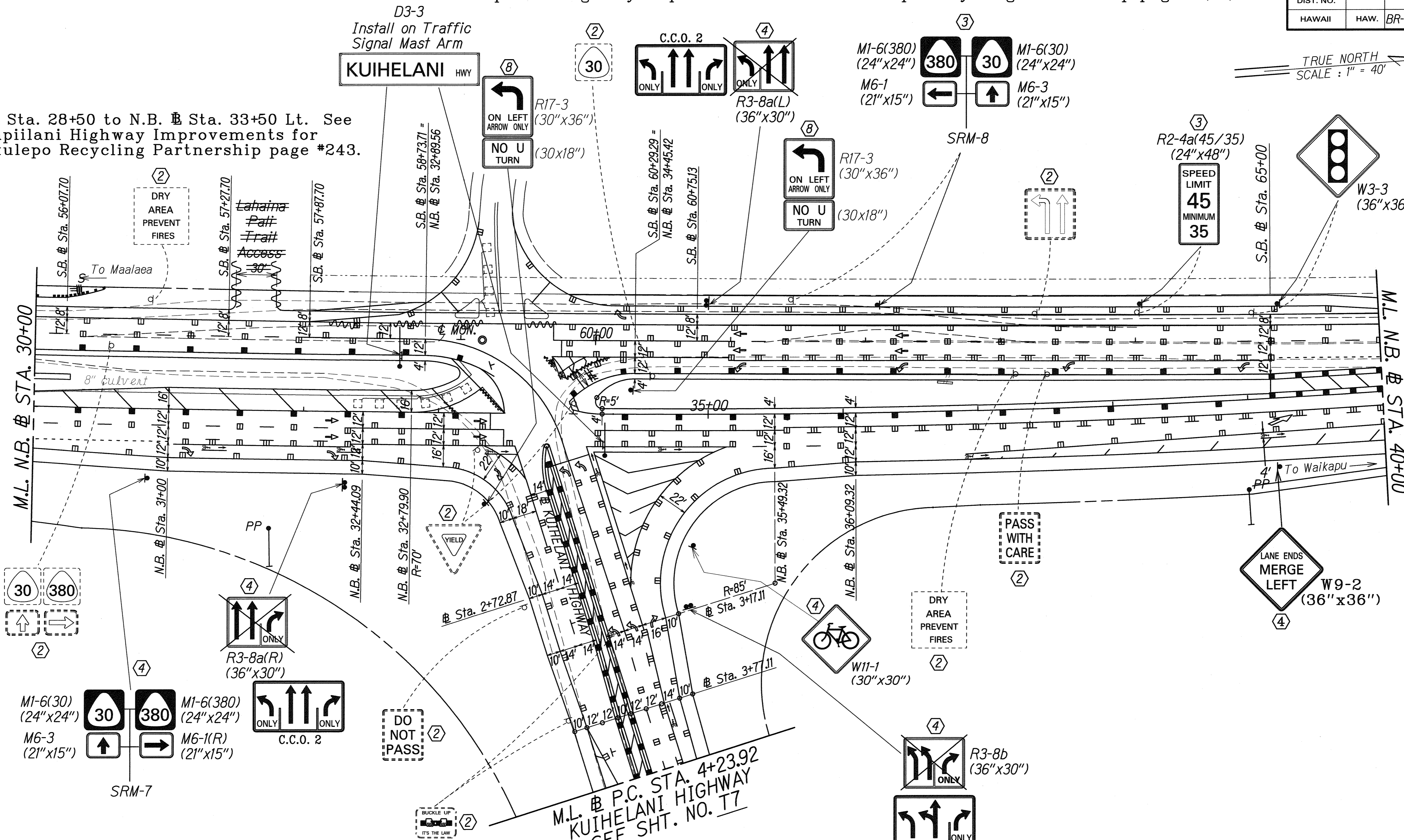
- ① Exist. Sign(s) & Post(s) to Remain
- ② Remove Exist. Sign(s) & Post(s)
- ③ Remove Exist. Sign(s) w/Post(s) & Install New w/Post(s)
- ④ Install New Sign(s) w/Post(s)
- ⑤ Remove Exist. Sign(s) & Install New on Exist. Post(s)
- ⑥ Remove Exist. Sign(s) & Install New on New Post(s)
- ⑦ Remove Exist. Sign & Install New on Hwy. Light Pole
- ⑧ Install New on Traffic Signal Pole
- ⑨ Remove Exist. Sign(s) & Install New
- ⑩ Remove Exist. Sign & Install New on Overhead Sign Structure Pole
- ⑪ Remove & Reinstall Exist. C&C Street Name Sign on New Post
- ⑫ Install New Sign

|                   |      |
|-------------------|------|
| SURVEY PLOTTED BY | DATE |
| DRAWN BY          |      |
| DESIGNED BY       |      |
| NOTED BY          |      |
| CHECKED BY        |      |
| ORIGINAL PLAN     |      |
| NOTE BOOK         |      |
| QUANTITIES BY     |      |
| CHECKED BY        |      |

| 7/12/02  | Added R4-4 Sign  |
|--|------------------|
| DATE   | REVISION         |
| STATE OF HAWAII<br>DEPARTMENT OF TRANSPORTATION<br>HIGHWAYS DIVISION                                       |                  |
| <b>PAVEMENT MARKING &amp; SIGNING PLAN</b>   |                  |
| HONOAPIILANI HIGHWAY WIDENING<br>North Kihei Road to Kuihelani Highway<br>F.A. Project No. BR-NH-030-1(24) |                  |
| Scale: 1"=40'  | Date: July, 2000 |
| SHEET No. 74 OF 13 SHEETS  |                  |

| FED. ROAD DIST. NO. | STATE | FED. AID PROJ. NO. | FISCAL YEAR | SHEET NO. | TOTAL SHEETS |
|---------------------|-------|--------------------|-------------|-----------|--------------|
| HAWAII              | HAW.  | BR-NH-030-1(24)    | 2000        | C.O. 131  | 139          |

N.B. Sta. 28+50 to N.B. Sta. 33+50 Lt. See Honoapiilani Highway Improvements for Pohakulepo Recycling Partnership page #243.



**KEY:**

- ① Exist. Sign(s) & Post(s) to Remain
- ② Remove Exist. Sign(s) & Post(s)
- ③ Remove Exist. Sign(s) w/Post(s) & Install New w/Post(s)
- ④ Install New Sign(s) w/Post(s)
- ⑤ Remove Exist. Sign(s) & Install New on Exist. Post(s)
- ⑥ Remove Exist. Sign(s) & Install New on New Post(s)
- ⑦ Remove Exist. Sign & Install New on Hwy. Light Pole
- ⑧ Install New on Traffic Signal Pole
- ⑨ Remove Exist. Sign(s) & Install New
- ⑩ Remove Exist. Sign & Install New on Overhead Sign Structure Pole
- ⑪ Remove & Reinstall Exist. C&C Street Name Sign on New Post
- ⑫ Install New Sign

| LEGEND FOR AS-BUILT POSTINGS |                                     |
|------------------------------|-------------------------------------|
|                              | Squiggly line for as-built deletion |
|                              | Double line for as-built deletion   |
| Roadway                      | Text for as-built posting           |

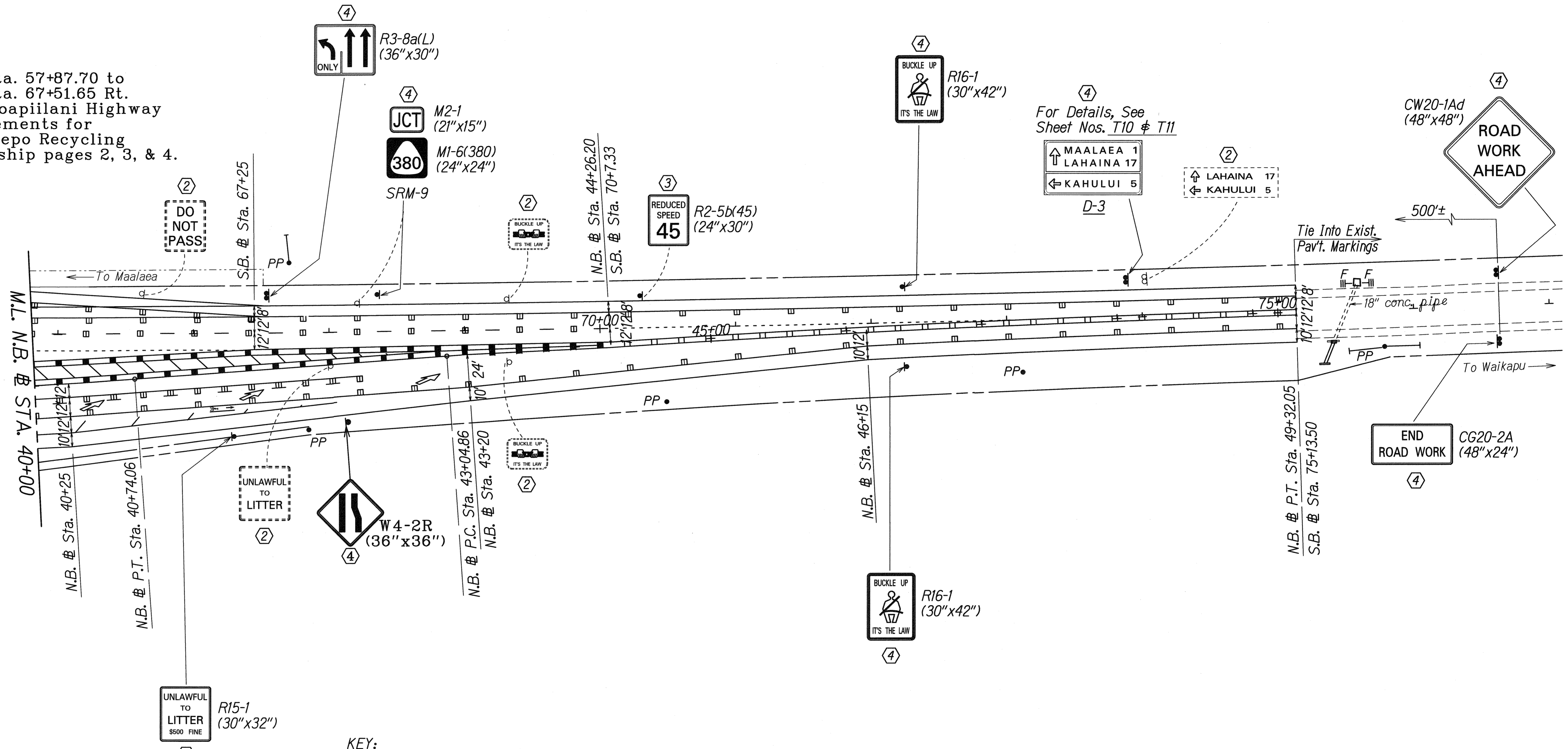
|                   |      |
|-------------------|------|
| SURVEY PLOTTED BY | DATE |
| DRAWN BY          |      |
| NOTE BOOK         |      |
| DESIGNED BY       |      |
| QUANTITIES BY     |      |
| CHECKED BY        |      |

| 7/12/02  | Revised Pavement Markings & Added Signs to Accommodate Bicycle Crossing |
|--|---|
| DATE   | REVISION  |
| STATE OF HAWAII<br>DEPARTMENT OF TRANSPORTATION<br>HIGHWAYS DIVISION                                       |   |
| <b>PAVEMENT MARKING &amp; SIGNING PLAN</b>   |   |
| HONOAPIILANI HIGHWAY WIDENING<br>North Kihei Road to Kuihelani Highway<br>F.A. Project No. BR-NH-030-1(24) |   |
| Scale: 1"=40'  | Date: July, 2000  |
| SHEET No. 75 OF 13 SHEETS  |   |

|                     |       |                    |             |           |              |
|---------------------|-------|--------------------|-------------|-----------|--------------|
| FED. ROAD DIST. NO. | STATE | FED. AID PROJ. NO. | FISCAL YEAR | SHEET NO. | TOTAL SHEETS |
| HAWAII              | HAW.  | BR-NH-030-1(24)    | 2000        | C.O. 132  | 139          |

TRUE NORTH  
SCALE: 1" = 40'

S.B. Sta. 57+87.70 to  
S.B. Sta. 67+51.65 Rt.  
See Honoapiilani Highway  
Improvements for  
Pohakulepo Recycling  
Partnership pages 2, 3, & 4.



UNLAWFUL TO LITTER  
\$500 FINE  
R15-1  
(30"x32")

- KEY:**
- ① Exist. Sign(s) & Post(s) to Remain
  - ② Remove Exist. Sign(s) & Post(s)
  - ③ Remove Exist. Sign(s) w/Post(s) & Install New w/Post(s)
  - ④ Install New Sign(s) w/Post(s)
  - ⑤ Remove Exist. Sign(s) & Install New on Exist. Post(s)
  - ⑥ Remove Exist. Sign(s) & Install New on New Post(s)
  - ⑦ Remove Exist. Sign & Install New on Hwy. Light Pole
  - ⑧ Install New on Traffic Signal Pole
  - ⑨ Remove Exist. Sign(s) & Install New
  - ⑩ Remove Exist. Sign & Install New on Overhead Sign Structure Pole
  - ⑪ Remove & Reinstall Exist. C&C Street Name Sign on New Post
  - ⑫ Install New Sign

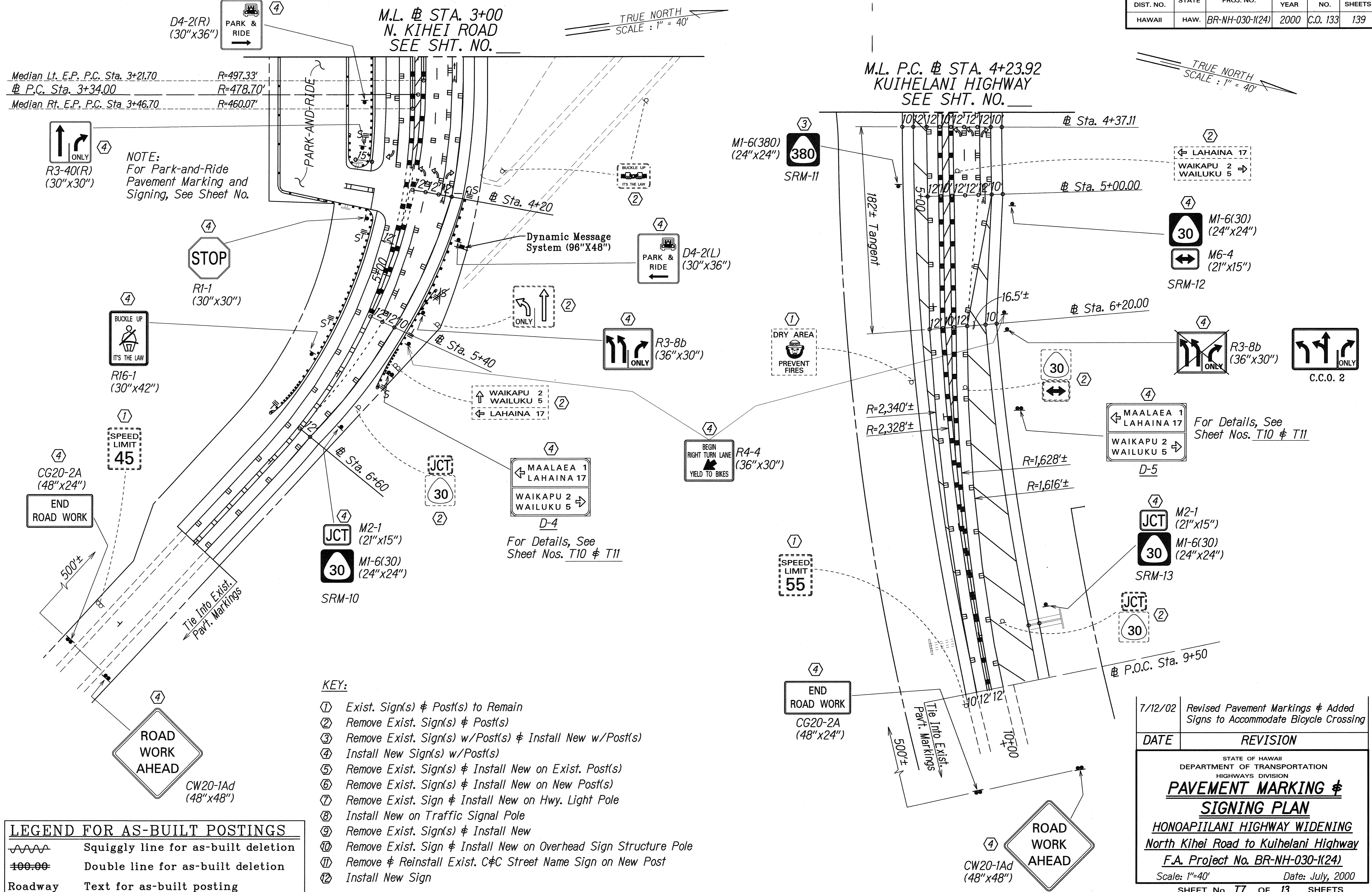
**LEGEND FOR AS-BUILT POSTINGS**

|         |                                     |
|---------|-------------------------------------|
|         | Squiggly line for as-built deletion |
|         | Double line for as-built deletion   |
| Roadway | Text for as-built posting           |

|                   |         |
|-------------------|---------|
| SURVEY PLOTTED BY | DATE    |
| DRAWN BY          | 2/14/02 |
| TRACED BY         |         |
| NOTE BOOK         |         |
| QUANTITIES BY     |         |
| CHECKED BY        |         |

|  |                           |
|--|---------------------------|
| 7/12/02  | Revised Pavement Markings |
| DATE   | REVISION                  |
| STATE OF HAWAII<br>DEPARTMENT OF TRANSPORTATION<br>HIGHWAYS DIVISION                                       |                           |
| <b>PAVEMENT MARKING &amp;<br/>SIGNING PLAN</b>   |                           |
| HONOAPIILANI HIGHWAY WIDENING<br>North Kihei Road to Kuihelani Highway<br>F.A. Project No. BR-NH-030-1(24) |                           |
| Scale: 1"=40'  | Date: July, 2000          |
| SHEET No. 76 OF 13 SHEETS  |                           |

| FED. ROAD DIST. NO. | STATE | FED. AID PROJ. NO. | FISCAL YEAR | SHEET NO. | TOTAL SHEETS |
|---------------------|-------|--------------------|-------------|-----------|--------------|
| HAWAII              | HAW.  | BR-NH-030-1(24)    | 2000        | C.O. 133  | 139          |



**LEGEND FOR AS-BUILT POSTINGS**

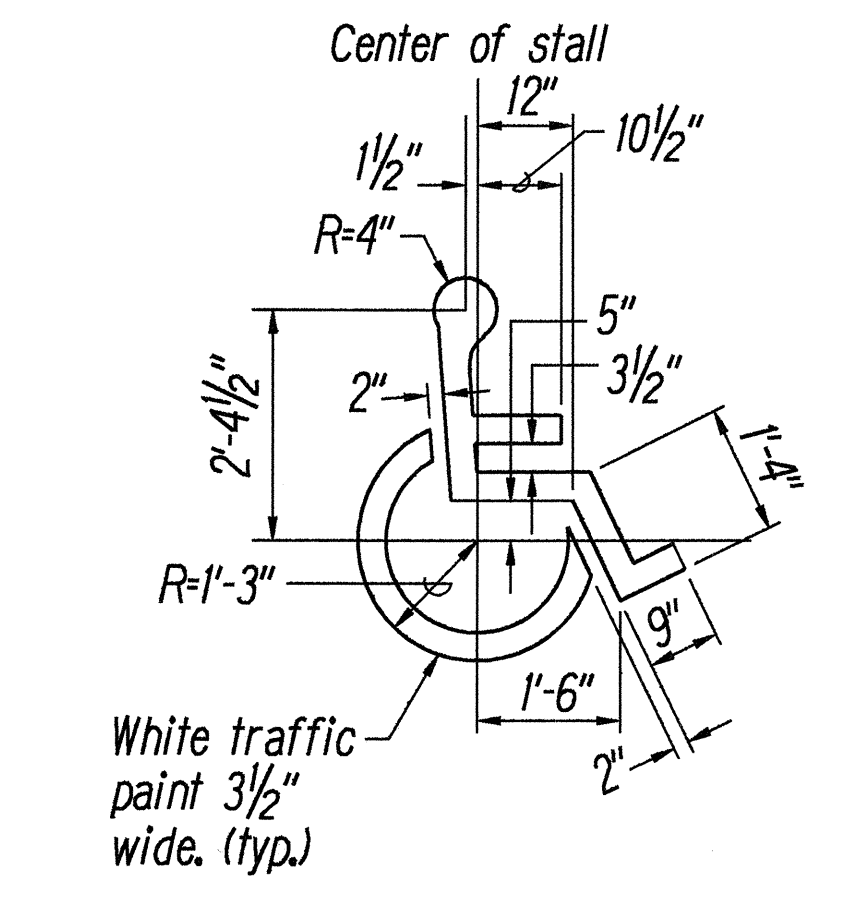
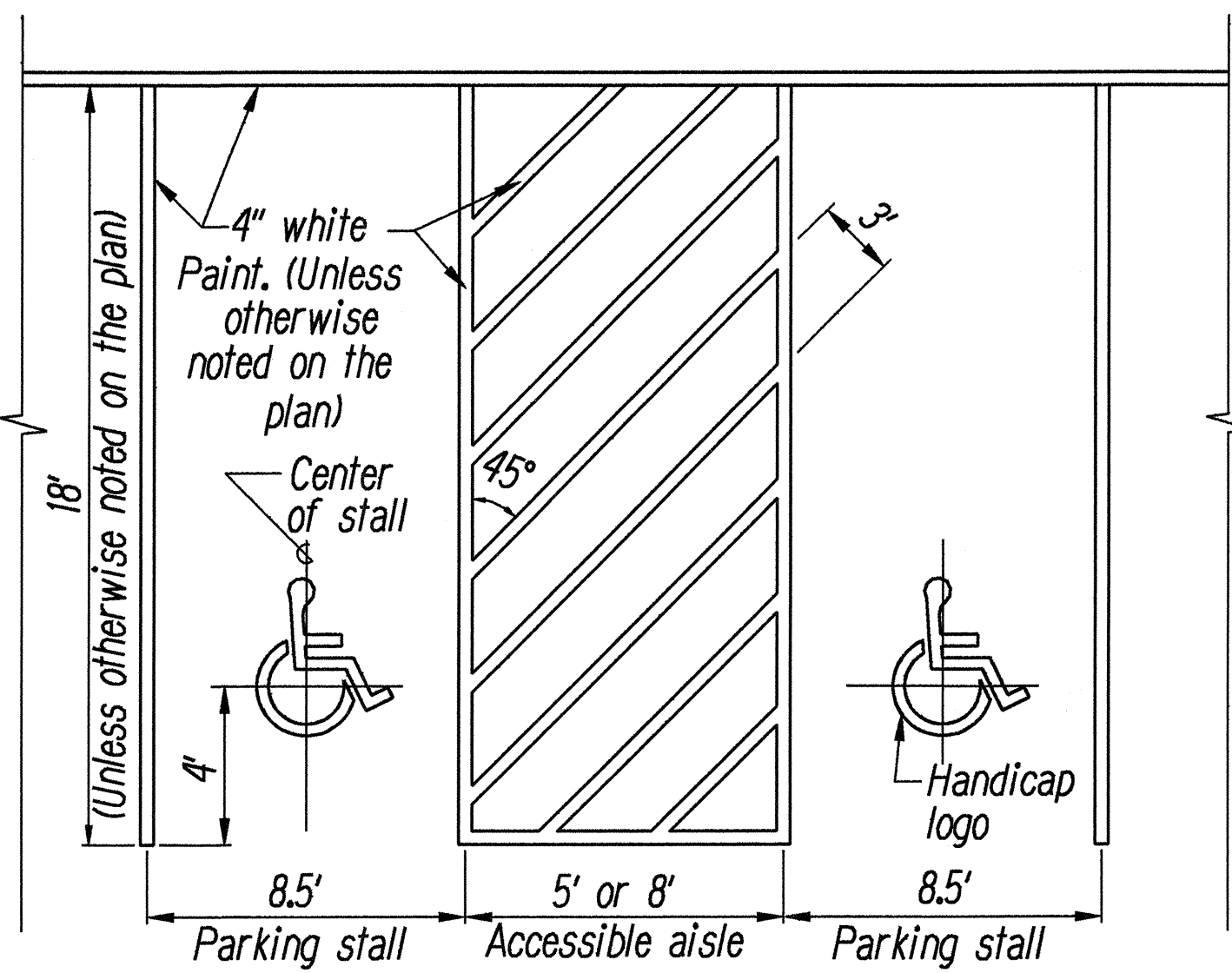
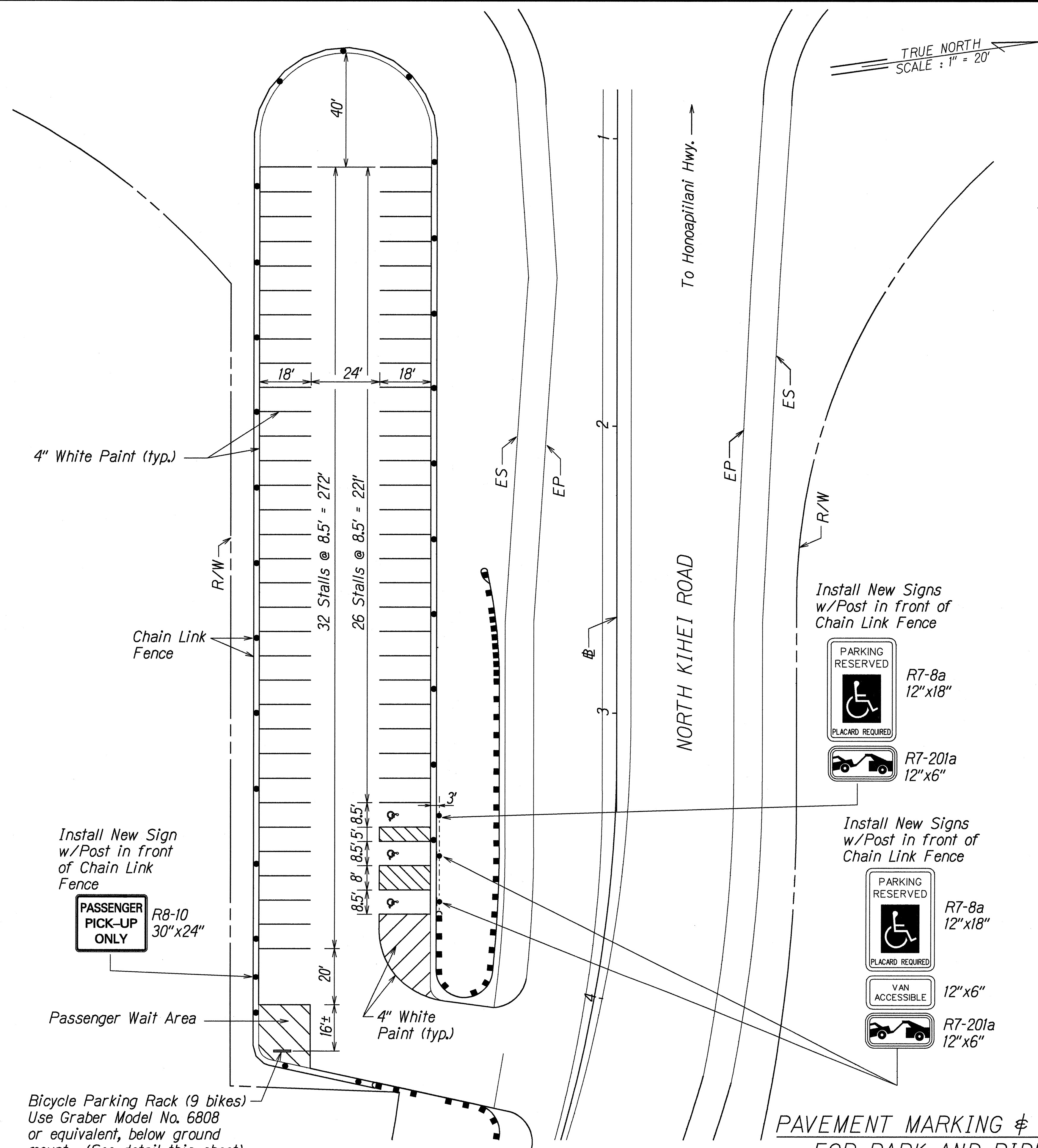
|         |                                     |
|---------|-------------------------------------|
|         | Squiggly line for as-built deletion |
|         | Double line for as-built deletion   |
| Roadway | Text for as-built posting           |

- KEY:**
- ① Exist. Sign(s) & Post(s) to Remain
  - ② Remove Exist. Sign(s) & Post(s)
  - ③ Remove Exist. Sign(s) w/Post(s) & Install New w/Post(s)
  - ④ Install New Sign(s) w/Post(s)
  - ⑤ Remove Exist. Sign(s) & Install New on Exist. Post(s)
  - ⑥ Remove Exist. Sign(s) & Install New on New Post(s)
  - ⑦ Remove Exist. Sign & Install New on Hwy. Light Pole
  - ⑧ Install New on Traffic Signal Pole
  - ⑨ Remove Exist. Sign(s) & Install New
  - ⑩ Remove Exist. Sign & Install New on Overhead Sign Structure Pole
  - ⑪ Remove & Reinstall Exist. C&C Street Name Sign on New Post
  - ⑫ Install New Sign

|                   |      |
|-------------------|------|
| SURVEY PLOTTED BY | DATE |
| DRAWN BY          |      |
| DESIGNED BY       |      |
| NOTE BOOK         |      |
| QUANTITIES BY     |      |
| CHECKED BY        |      |

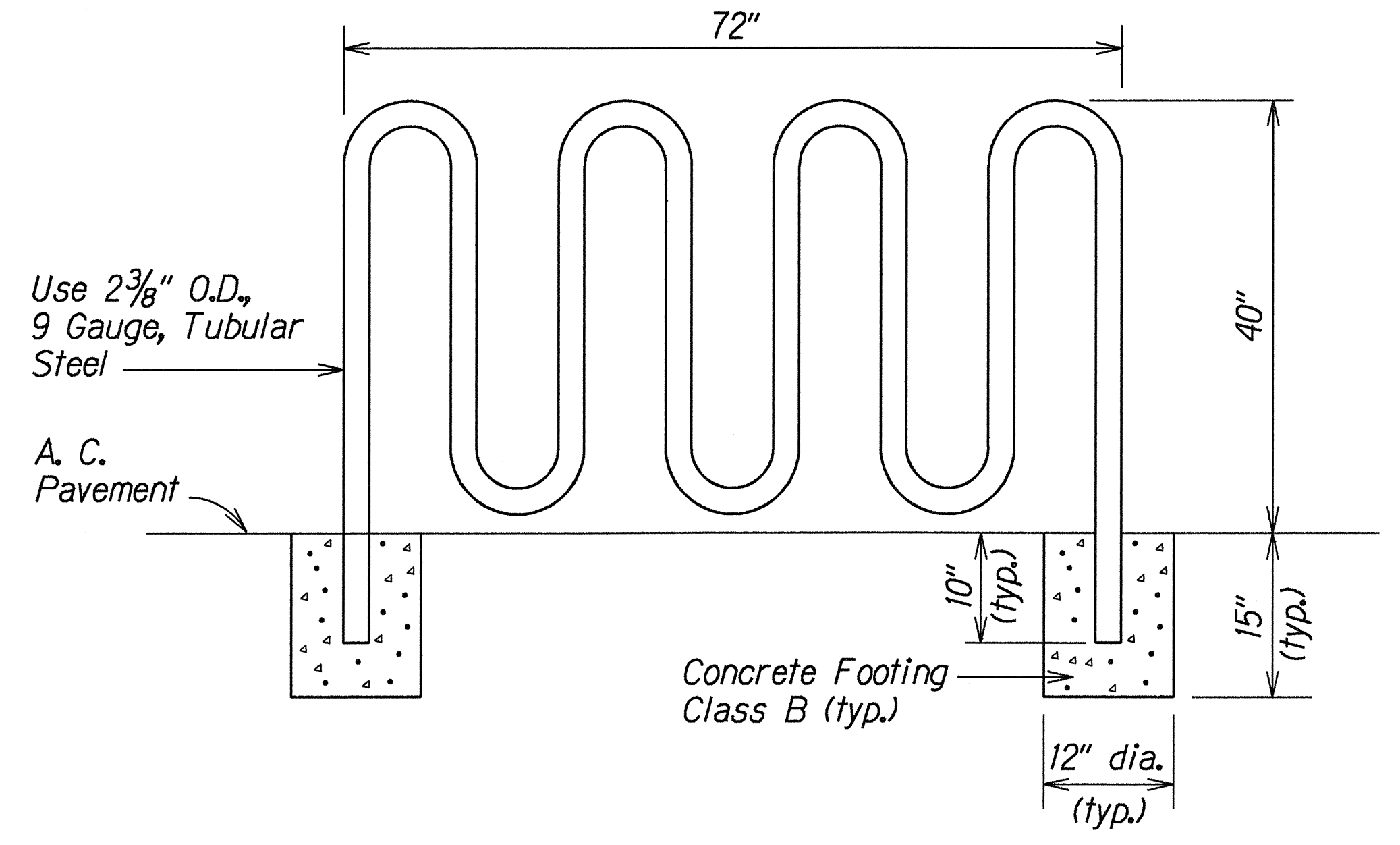
| 7/12/02  | Revised Pavement Markings & Added Signs to Accommodate Bicycle Crossing |
|--|---|
| DATE   | REVISION  |
| STATE OF HAWAII<br>DEPARTMENT OF TRANSPORTATION<br>HIGHWAYS DIVISION                                       |   |
| <b>PAVEMENT MARKING &amp; SIGNING PLAN</b>   |   |
| HONOAPIILANI HIGHWAY WIDENING<br>North Kihei Road to Kuihelani Highway<br>F.A. Project No. BR-NH-030-1(24) |   |
| Scale: 1"=40'  | Date: July, 2000  |
| SHEET No. 77 OF 13 SHEETS  |   |

| FED. ROAD DIST. NO. | STATE | FED. AID PROJ. NO. | FISCAL YEAR | SHEET NO. | TOTAL SHEETS |
|---------------------|-------|--------------------|-------------|-----------|--------------|
| HAWAII              | HAW.  | BR-NH-030-1(24)    | 2000        | 134       | 139          |



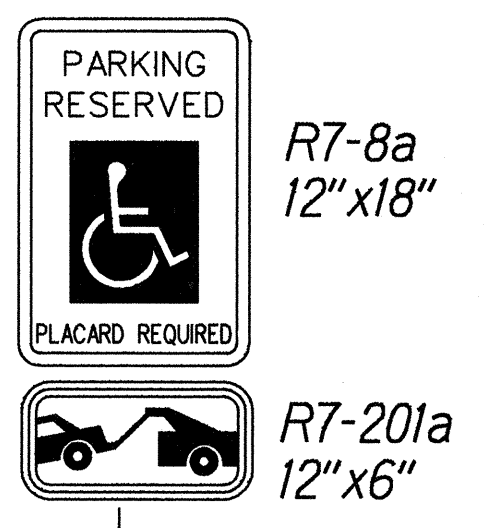
HANDICAPPED STALL DETAIL  
Not to Scale

HANDICAP PARKING STALL  
LOGO DETAIL

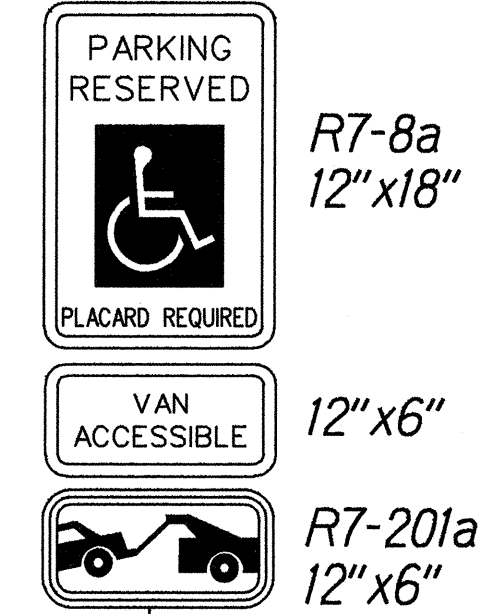


BICYCLE PARKING RACK (9 BIKES)  
Not to Scale

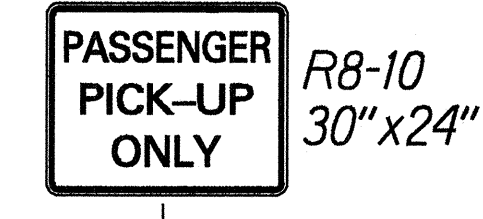
Install New Signs  
w/Post in front of  
Chain Link Fence



Install New Signs  
w/Post in front of  
Chain Link Fence



Install New Sign  
w/Post in front of  
Chain Link  
Fence



Passenger Wait Area

Bicycle Parking Rack (9 bikes)  
Use Graber Model No. 6808  
or equivalent, below ground  
mount. (See detail this sheet)

PAVEMENT MARKING & SIGNING PLAN  
FOR PARK AND RIDE FACILITY

|                   |           |
|-------------------|-----------|
| SURVEY PLOTTED BY | DATE      |
| DRAWN BY          | 4/15/2002 |
| TRACED BY         |           |
| QUANTITIES BY     |           |
| CHECKED BY        |           |
| ORIGINAL PLAN     |           |
| NOTE BOOK         |           |
| DATE              |           |
| BY                |           |
| CHECKED BY        |           |

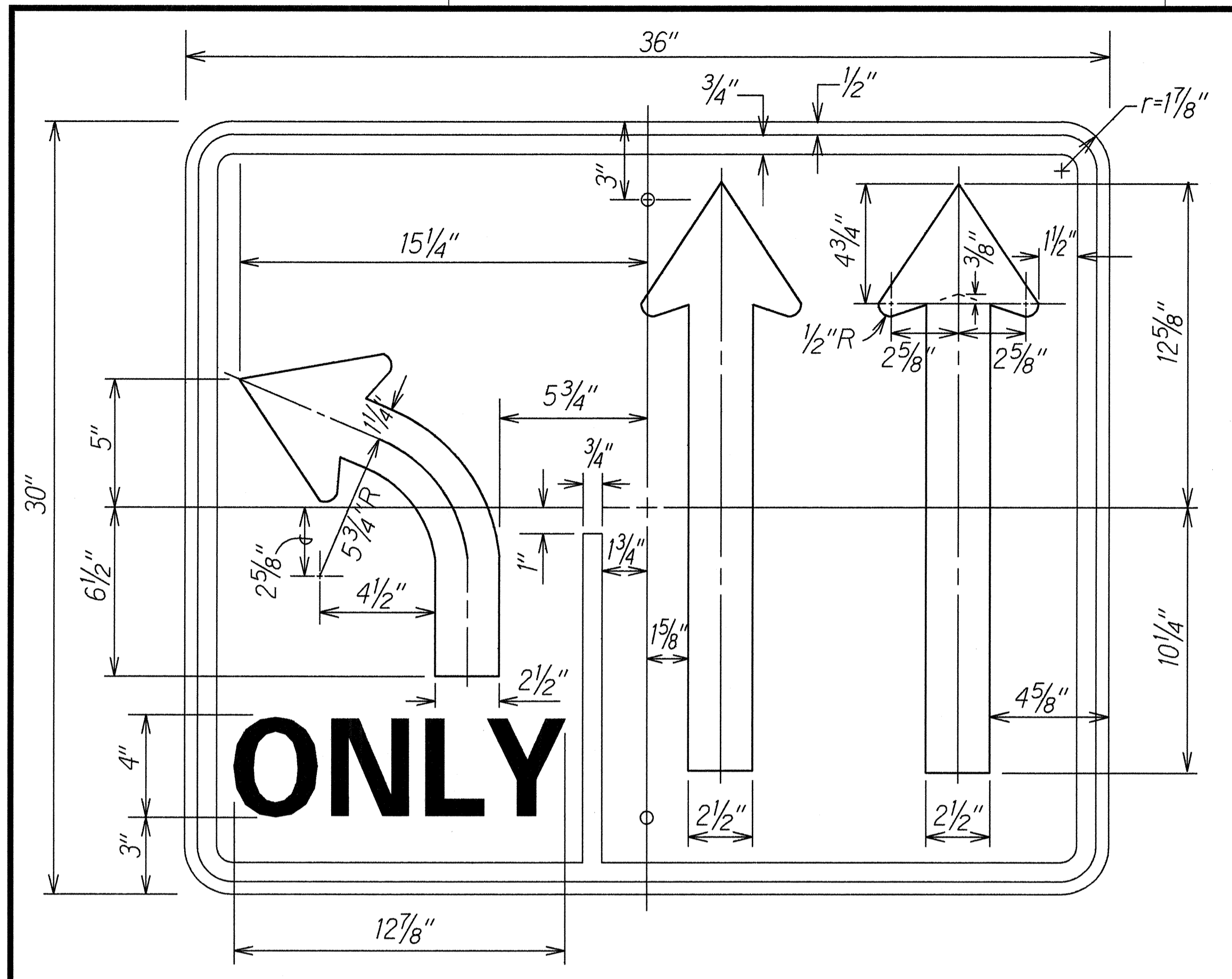
STATE OF HAWAII  
DEPARTMENT OF TRANSPORTATION  
HIGHWAYS DIVISION

**PAVEMENT MARKING & SIGNING PLAN**

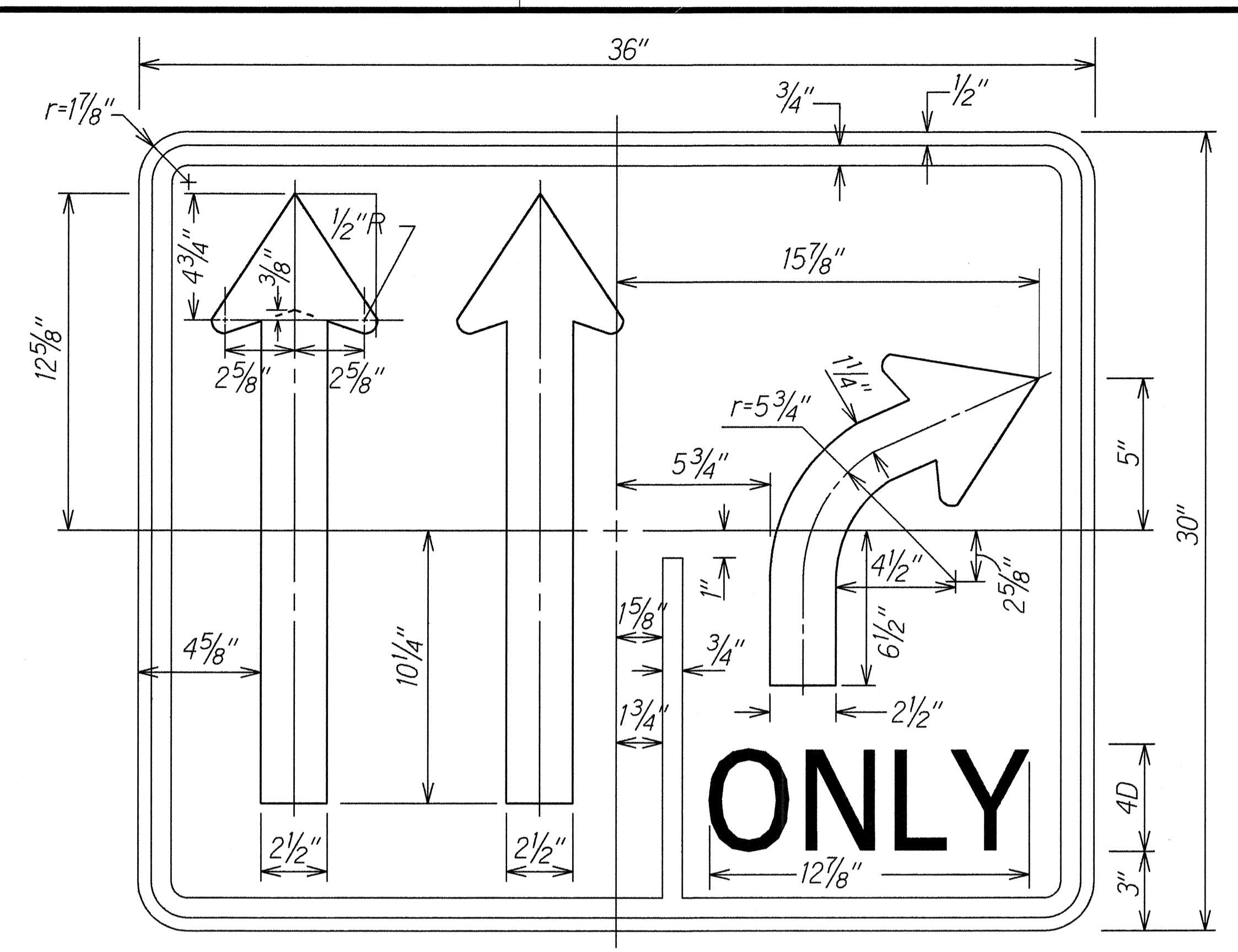
HONOAPIILANI HIGHWAY WIDENING  
North Kihei Road to Kuihelani Highway  
F.A. Project No. BR-NH-030-1(24)  
Scale: 1"=20' Date: July, 2000

SHEET No. T8 OF 13 SHEETS

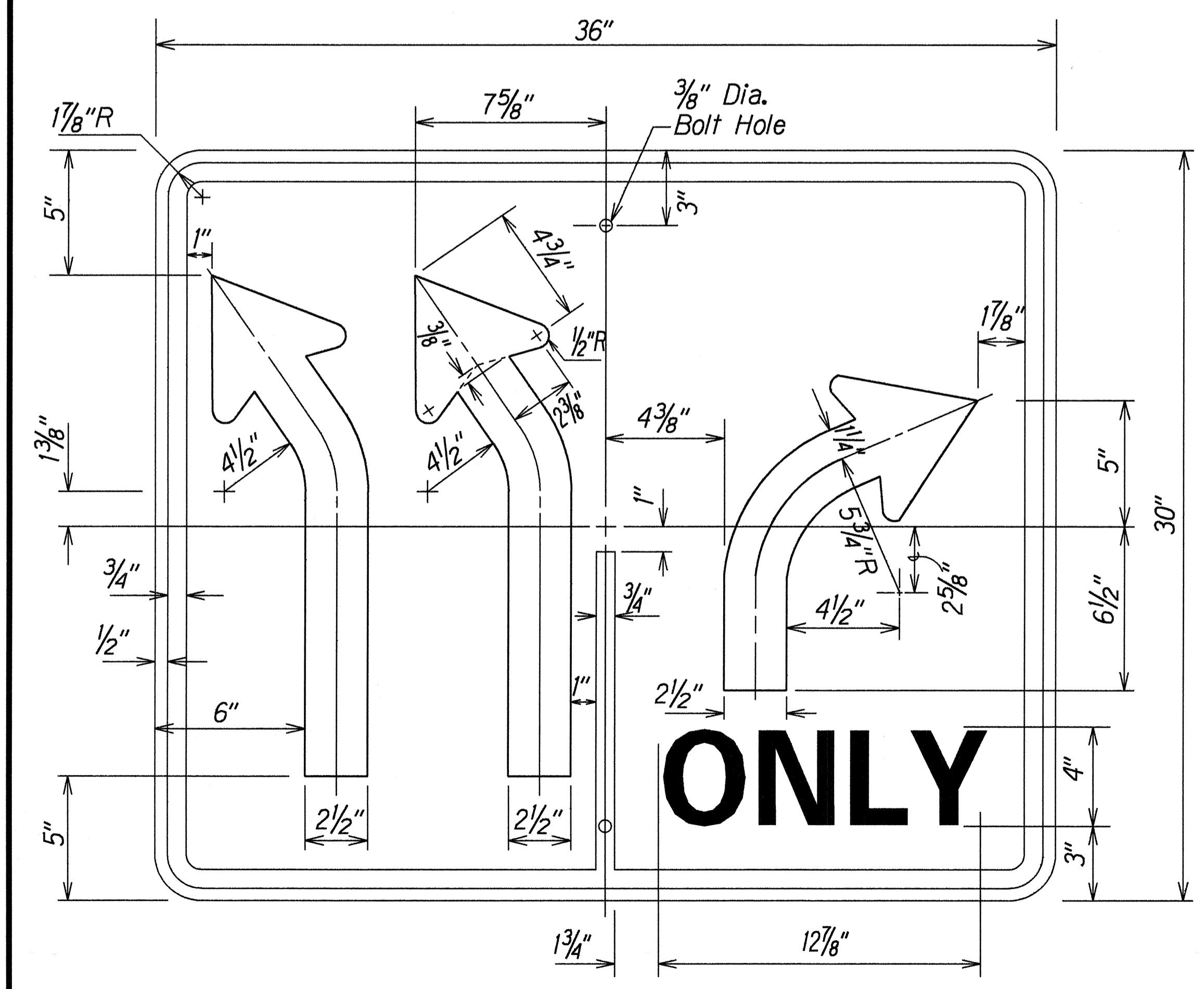
| FED. ROAD DIST. NO. | STATE | FED. AID PROJ. NO. | FISCAL YEAR | SHEET NO. | TOTAL SHEETS |
|---------------------|-------|--------------------|-------------|-----------|--------------|
| HAWAII              | HAW.  | BR-NH-030-1(24)    | 2000        | 135       | 139          |



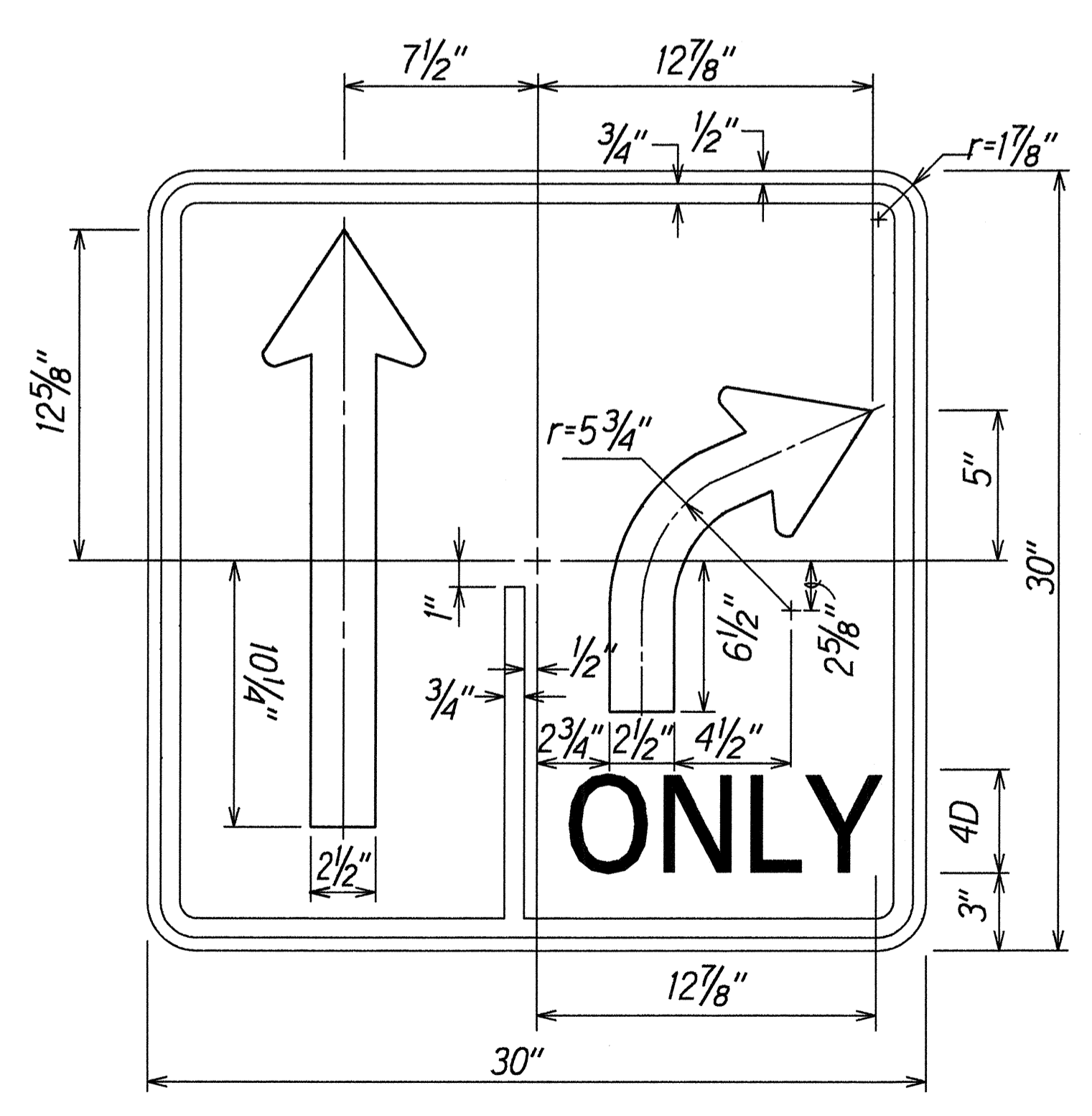
R3-8a(L)



R3-8a(R)

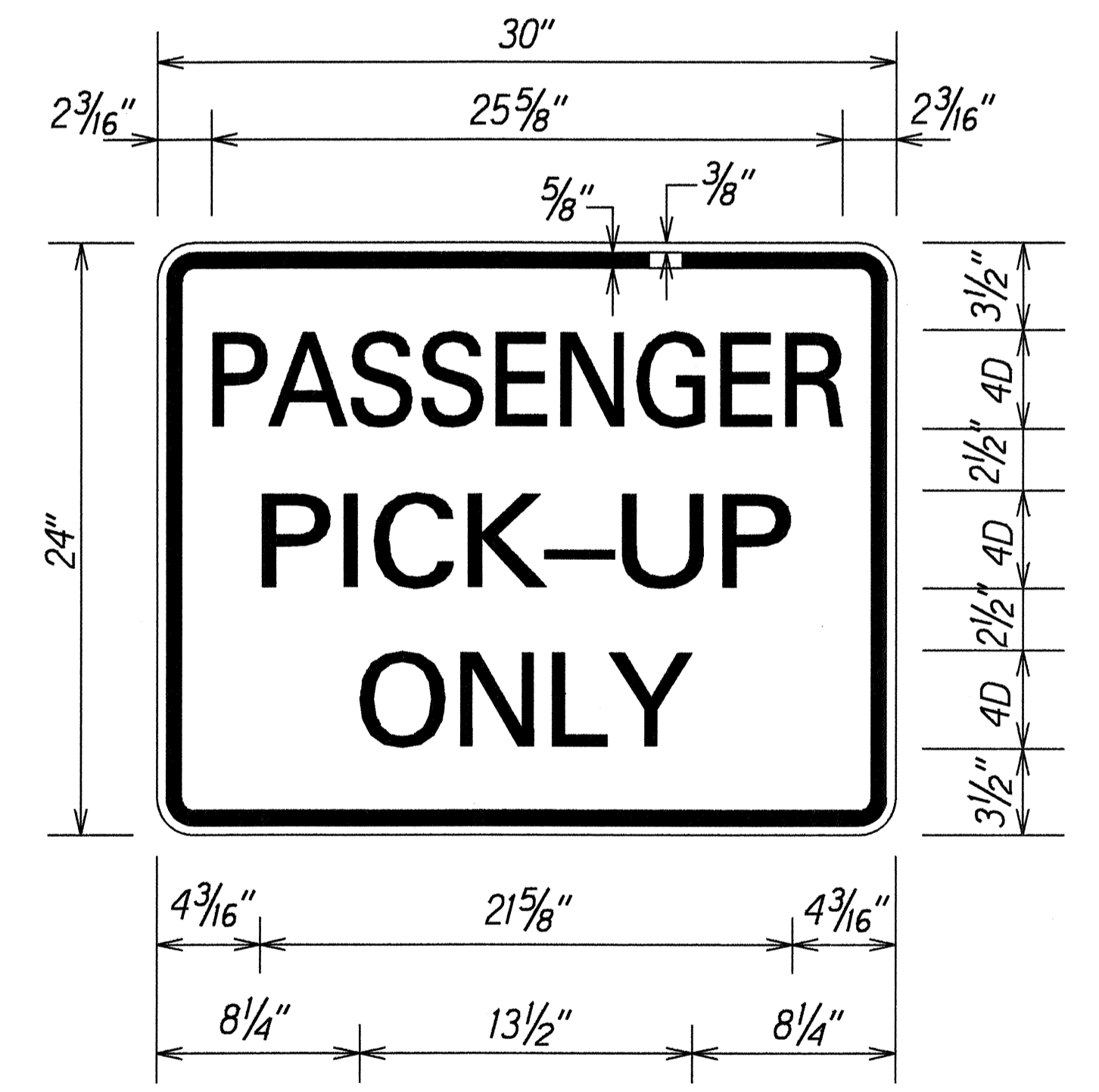


R3-8b



R3-40(R)

NOTE:  
1. Sign R3-40 is a variation of sign R3-8. Plate and arrow details shall conform to Sign R3-8.

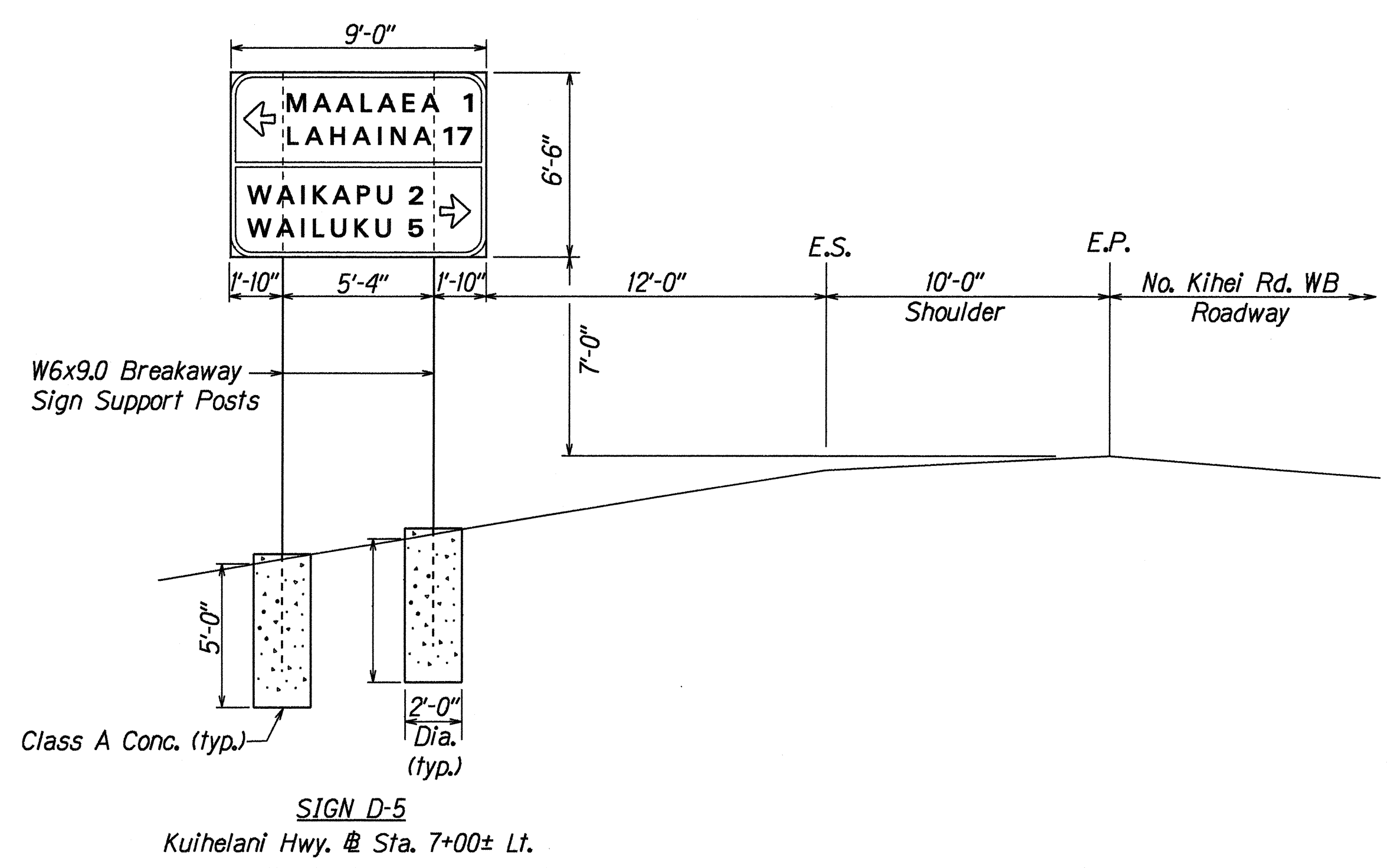
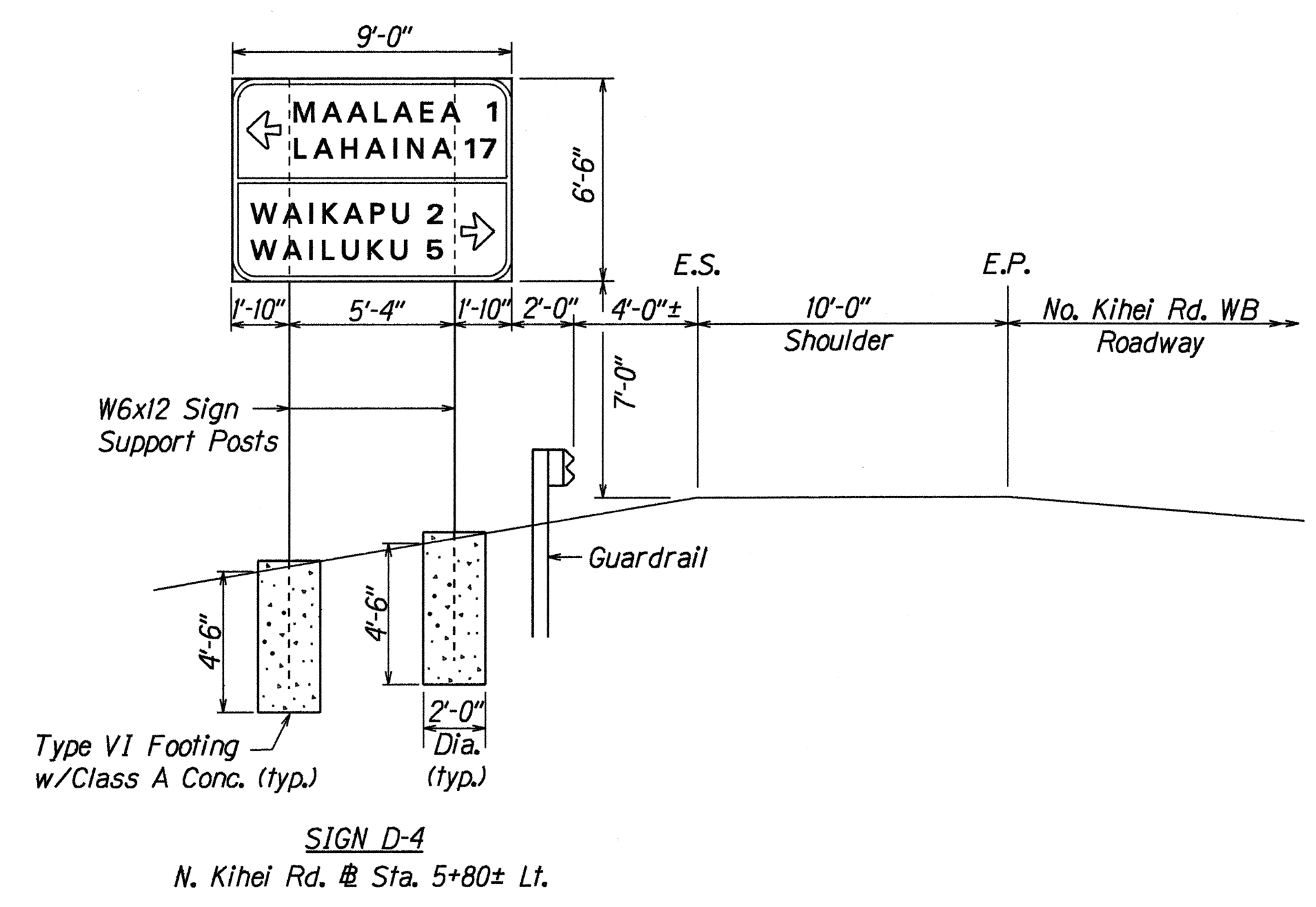
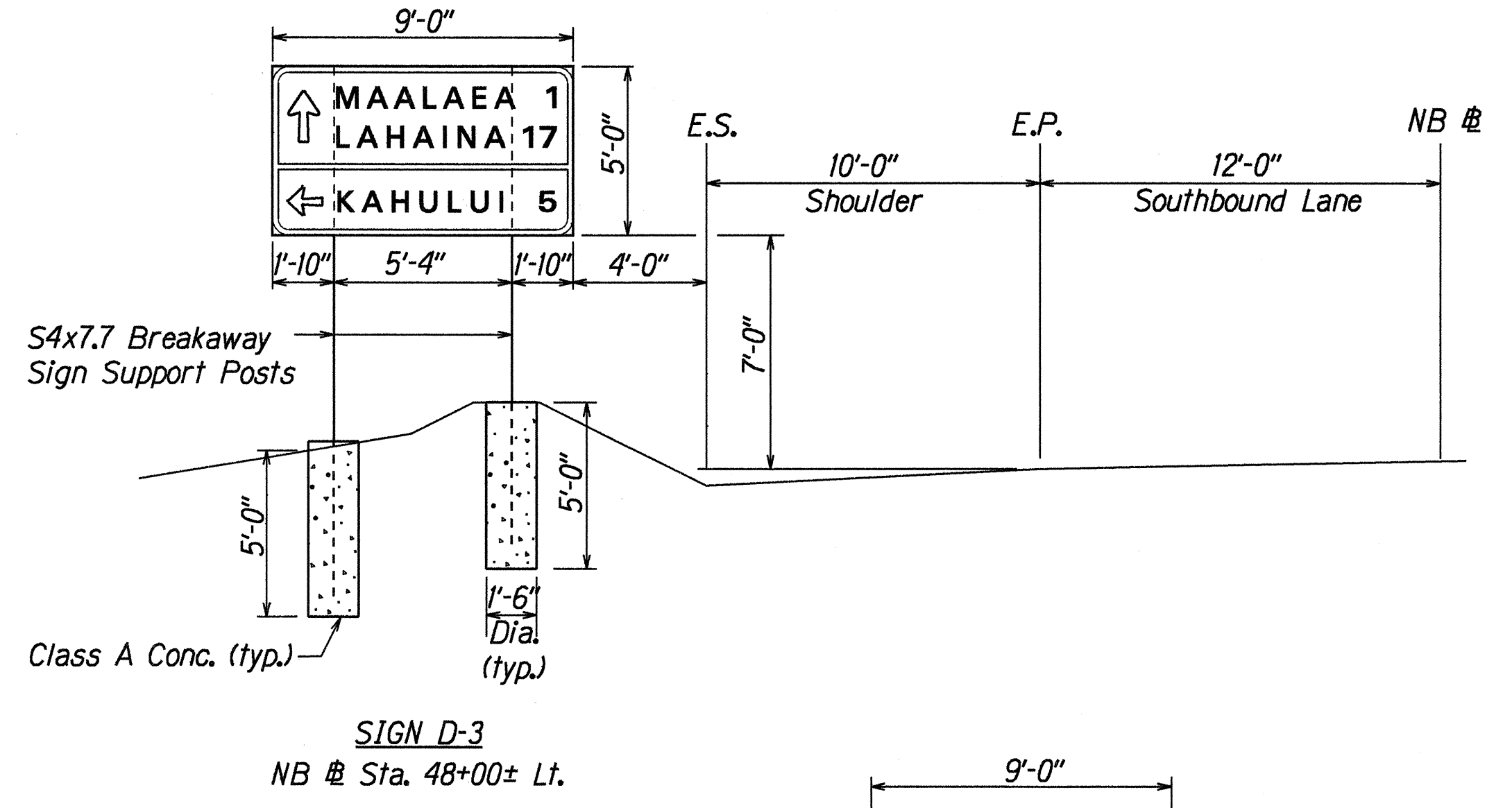
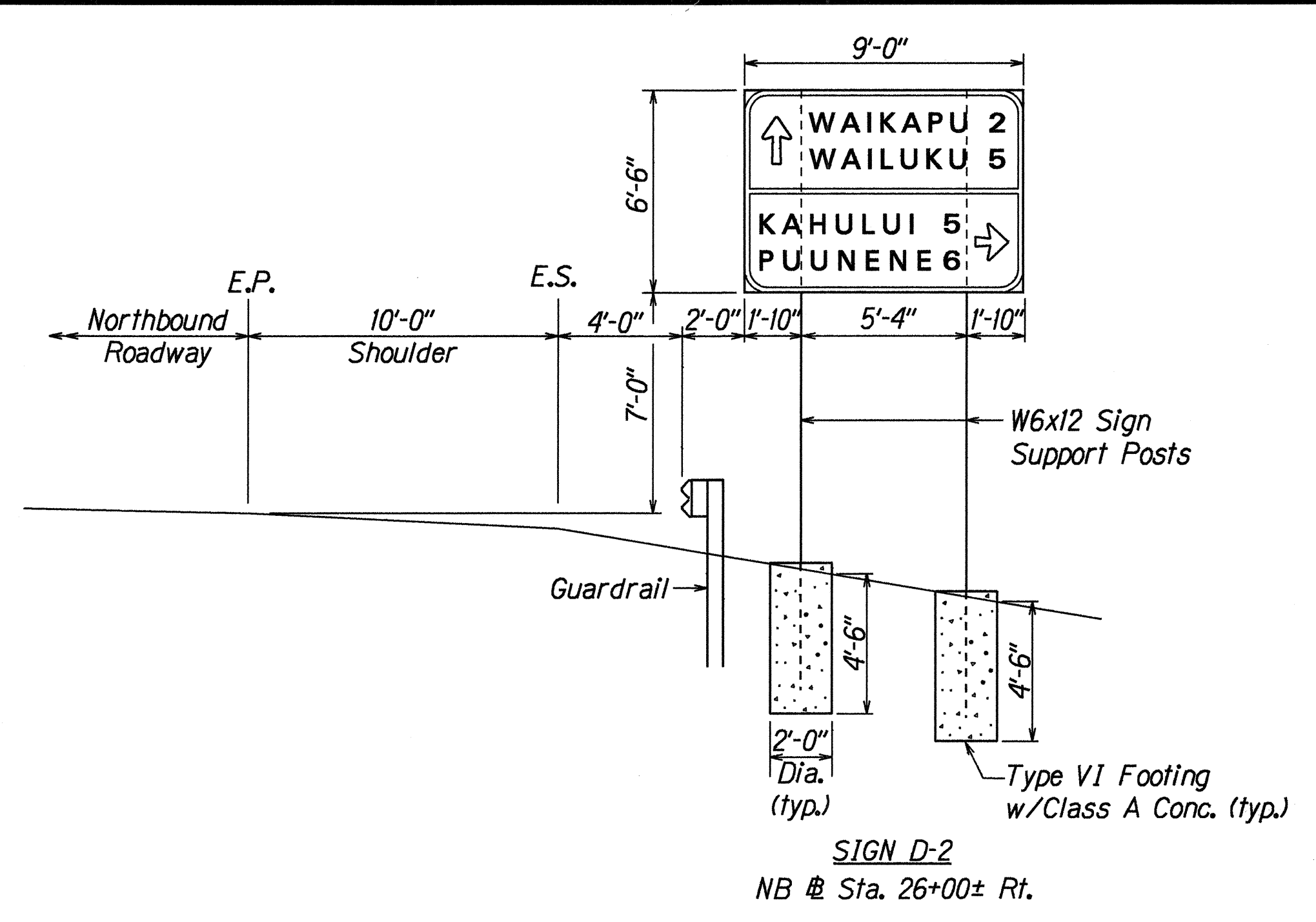
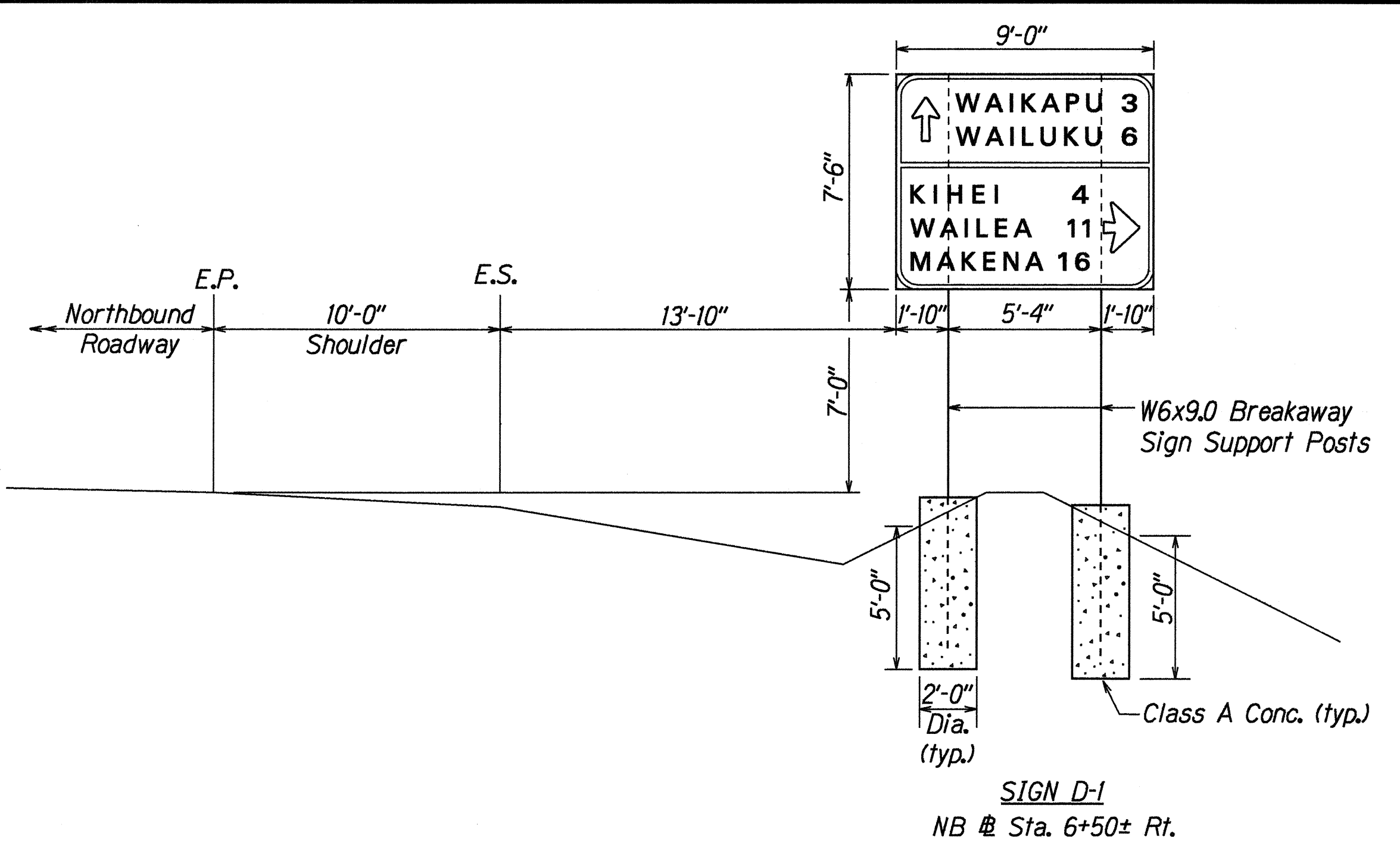


R8-10

STATE OF HAWAII  
DEPARTMENT OF TRANSPORTATION  
HIGHWAYS DIVISION  
**MISCELLANEOUS TRAFFIC SIGNS**  
HONOAPIILANI HIGHWAY WIDENING  
North Kihei Road to Kuihelani Highway  
F.A. Project No. BR-NH-030-1(24)  
Not to Scale Date: July, 2000

ORIGINAL PLAN  
DATE: 12/22/98  
DRAWN BY: Ruby A.  
DESIGNED BY: G. K. K. K.  
CHECKED BY: M. K. K. K.

| FED. ROAD DIST. NO. | STATE | FED. AID PROJ. NO. | FISCAL YEAR | SHEET NO. | TOTAL SHEETS |
|---------------------|-------|--------------------|-------------|-----------|--------------|
| HAWAII              | HAW.  | BR-NH-030-1(24)    | 2000        | 136       | 139          |



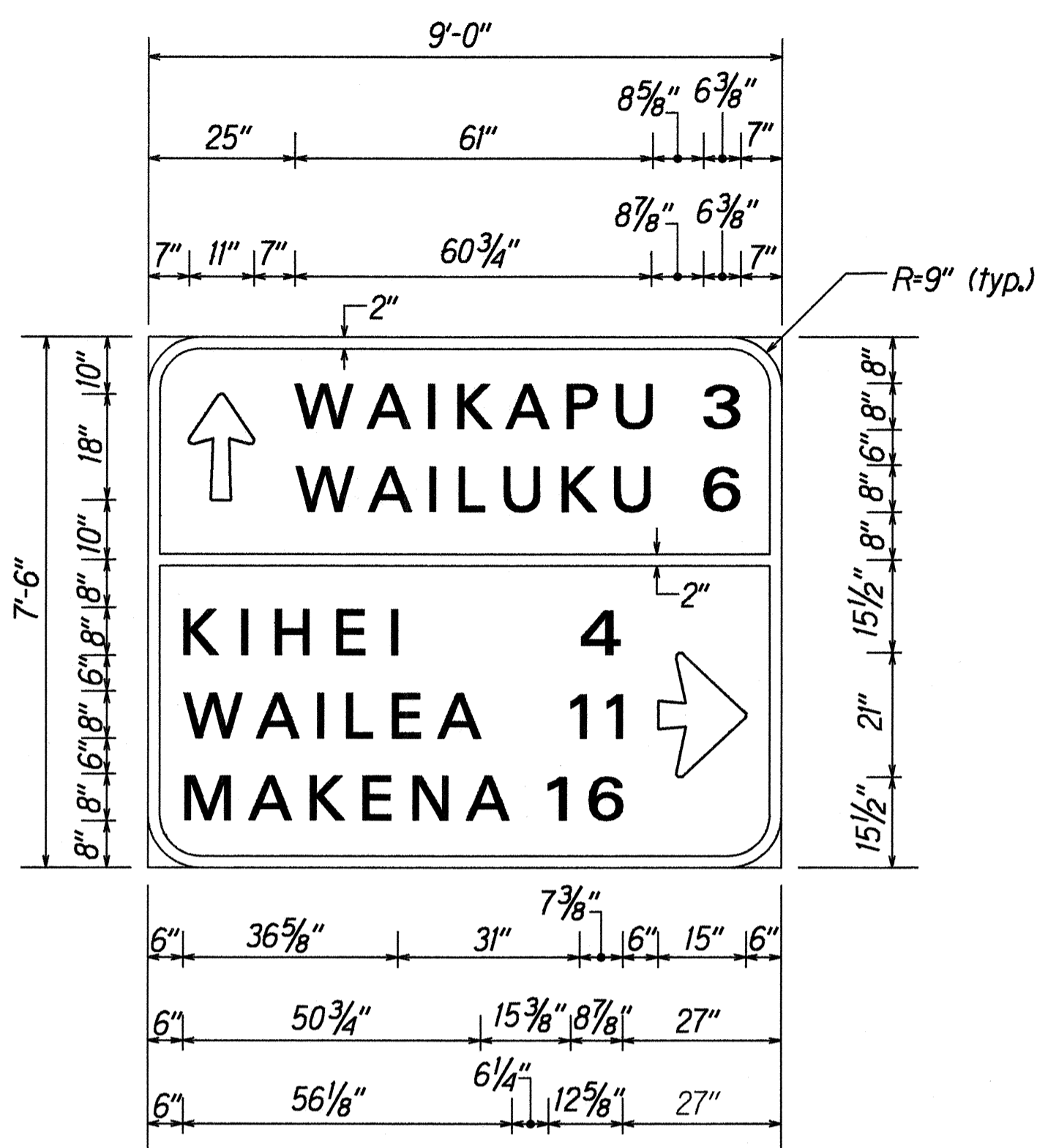
|                   |          |
|-------------------|----------|
| SURVEY PLOTTED BY | DATE     |
| DRAWN BY R. A. H. | 12/21/98 |
| TRACED BY         |          |
| NOTE BOOK         |          |
| QUANTITIES BY     |          |
| CHECKED BY        |          |

STATE OF HAWAII  
DEPARTMENT OF TRANSPORTATION  
HIGHWAYS DIVISION

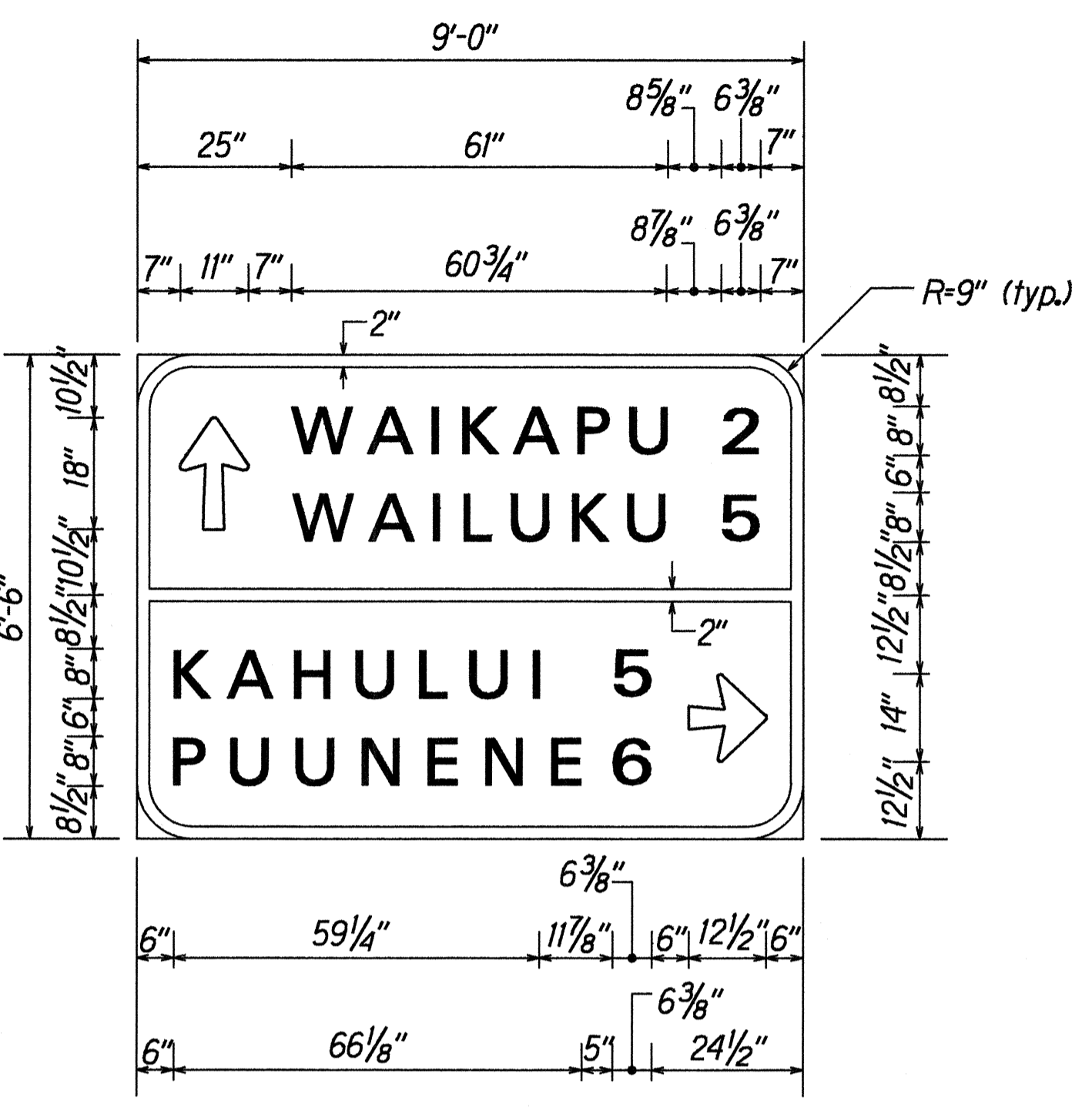
**FRAME LAYOUT DETAILS**

HONOAPIILANI HIGHWAY WIDENING  
North Kihei Road to Kuihelani Highway  
F.A. Project No. BR-NH-030-1(24)  
Scale: 1/4" = 1'-0" Date: July, 2000  
SHEET No. 111 OF 13 SHEETS

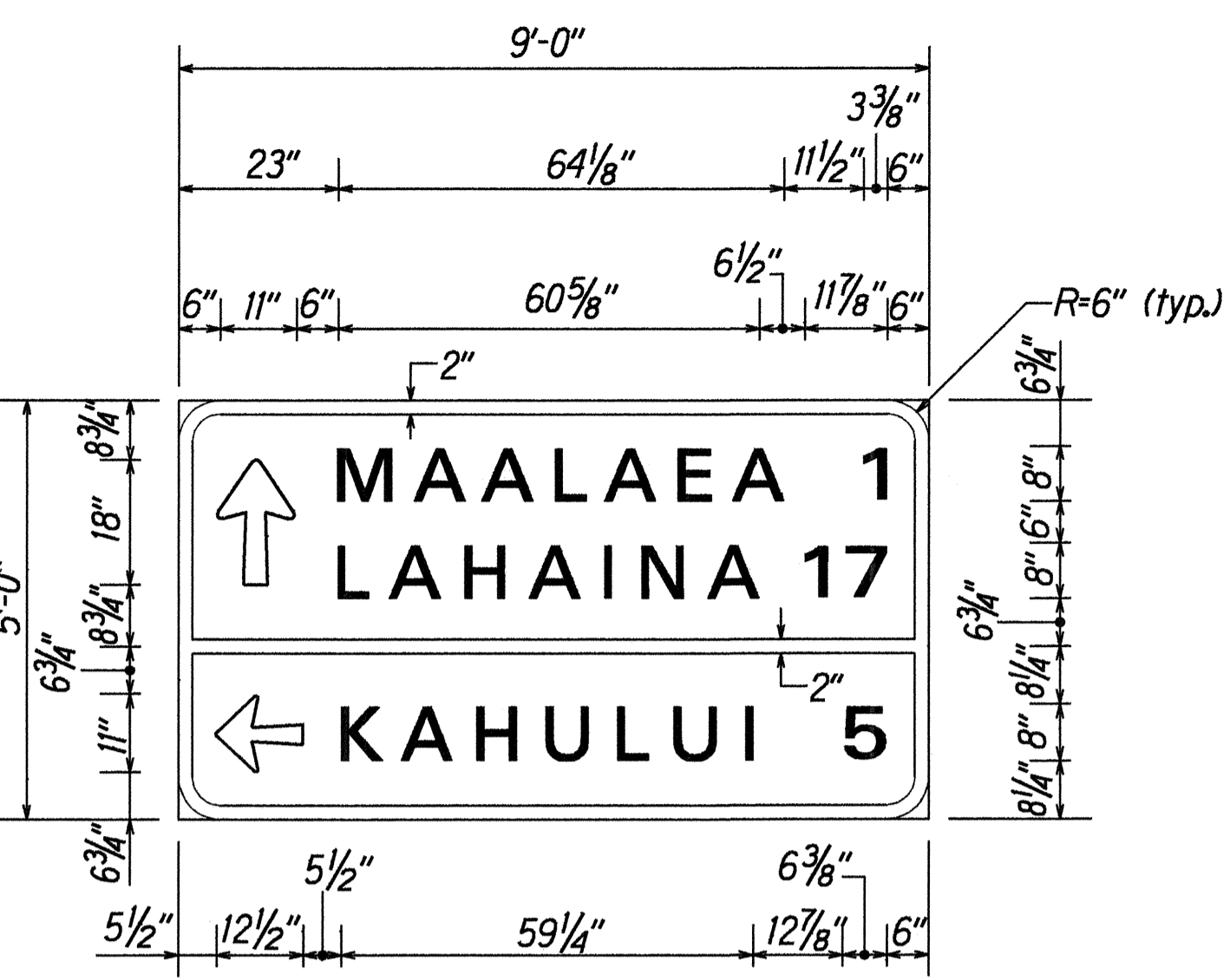
| FED. ROAD DIST. NO. | STATE | FED. AID PROJ. NO. | FISCAL YEAR | SHEET NO. | TOTAL SHEETS |
|---------------------|-------|--------------------|-------------|-----------|--------------|
| HAWAII              | HAW.  | BR-NH-030-1(24)    | 2000        | 137       | 139          |



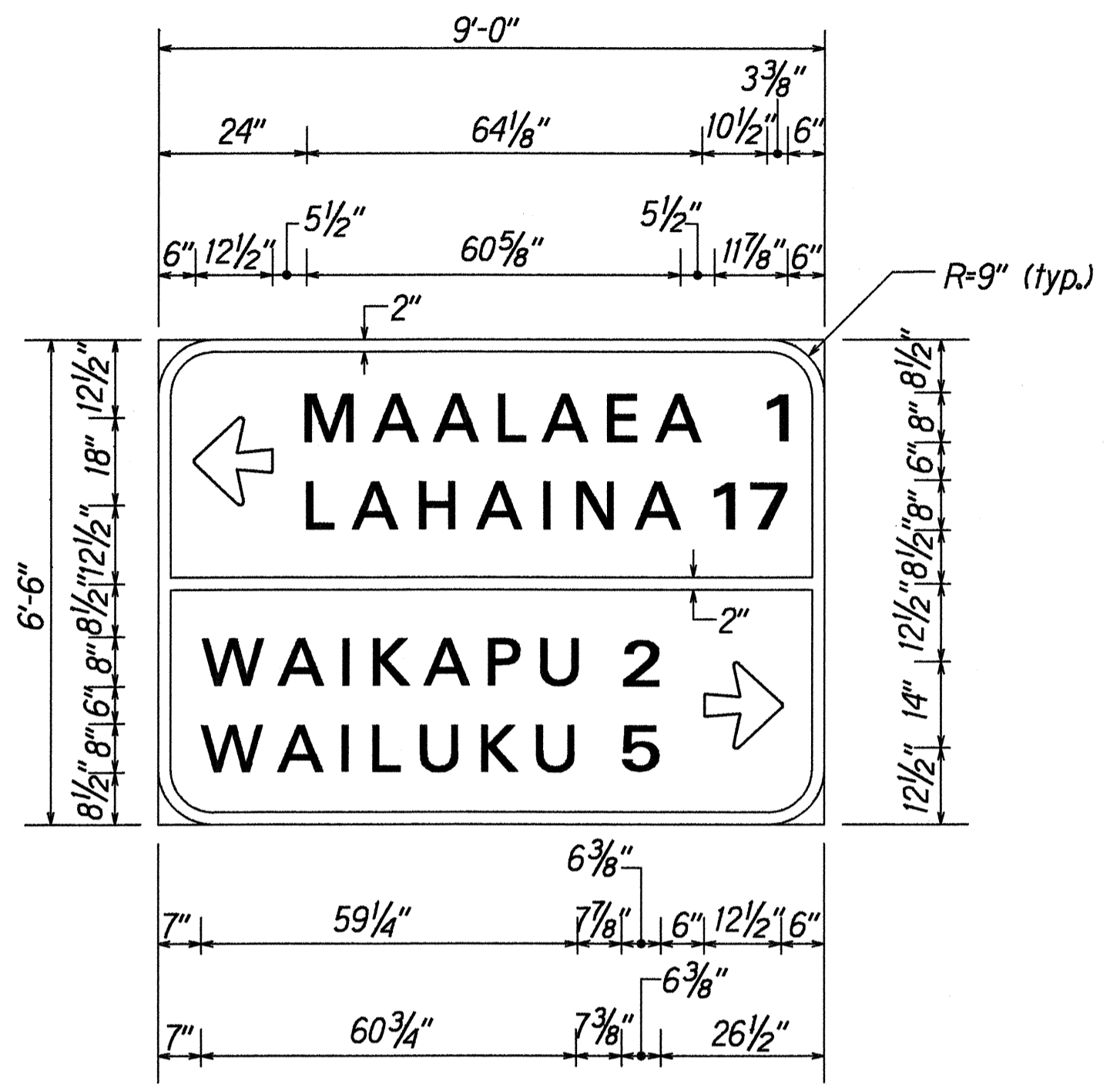
D-1  
Scale: 1/2" = 1'-0"



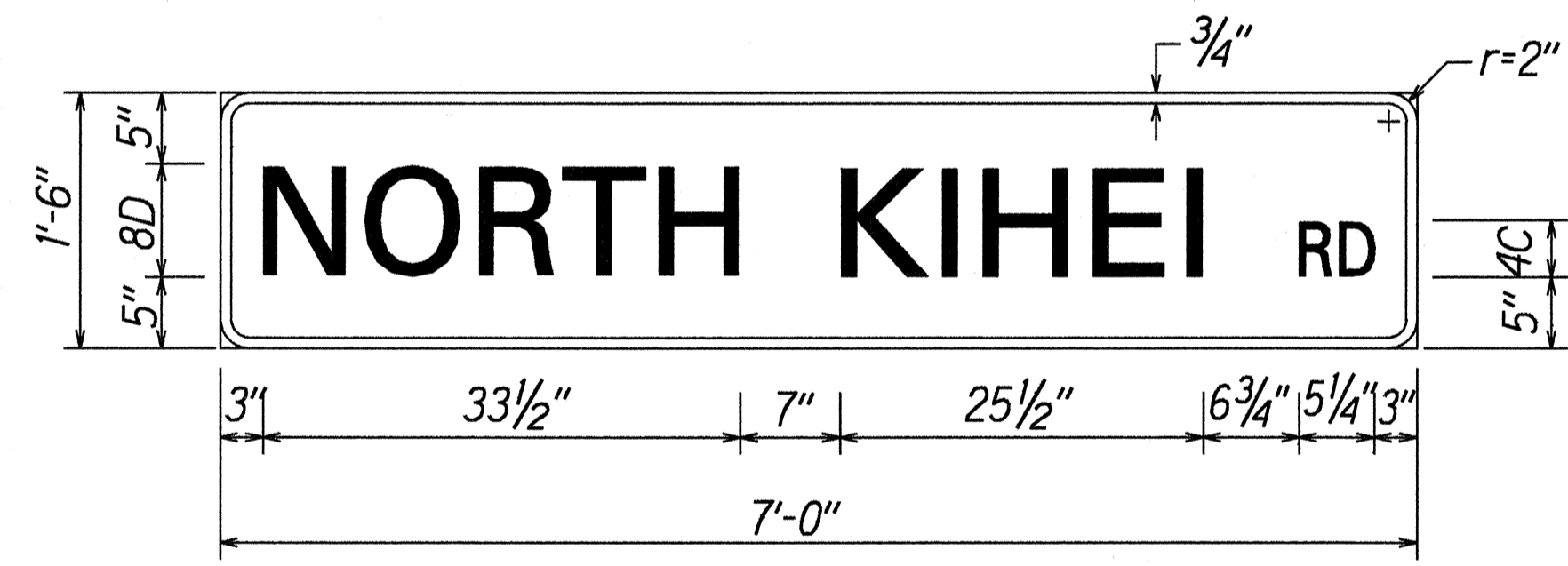
D-2  
Scale: 1/2" = 1'-0"



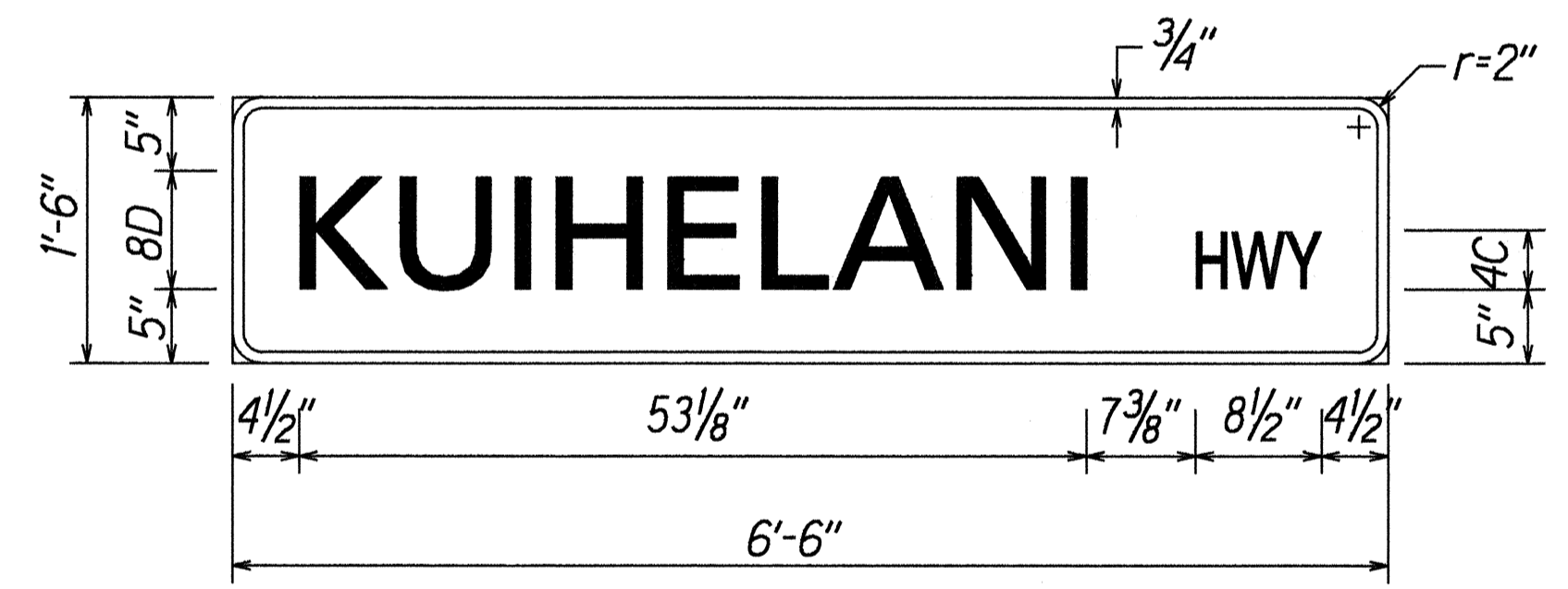
D-3  
Scale: 1/2" = 1'-0"



D-4 & D-5  
Scale: 1/2" = 1'-0"



\* D3-1 & D3-2  
Scale: 1" = 1'-0"



\* D3-3  
Scale: 1" = 1'-0"

|                   |          |
|-------------------|----------|
| ORIGINAL PLAN     | DATE     |
| SURVEY PLOTTED BY | 12/11/98 |
| DRAWN BY          |          |
| DESIGNED BY       |          |
| CHECKED BY        |          |
| NOTED BY          |          |
| DATE              |          |
| BY                |          |
| BY                |          |

STATE OF HAWAII  
DEPARTMENT OF TRANSPORTATION  
HIGHWAYS DIVISION  
**MISCELLANEOUS TRAFFIC  
SIGNS**  
HONOAPIILANI HIGHWAY WIDENING  
North Kihei Road to Kuihelani Highway  
F.A. Project No. BR-NH-030-1(24)  
Scale: As Noted Date: July, 2000  
SHEET No. T10 OF 13 SHEETS

| ROUTE MARKER SUMMARY |                                    |  |                 |          |                 |          |
|----------------------|------------------------------------|--|-----------------|----------|-----------------|----------|
| SIGN ASSEMBLY        | LOCATION                           | SIGN NO. AND MESSAGE   | TYPE A ASSEMBLY |          | TYPE B ASSEMBLY |          |
|                      |                                    |  | W/POST          | W/O POST | W/POST          | W/O POST |
| SRM-1                | N.B. # STA. 4+15± RT.              | M2-1 JCT<br>M1-6(310) 310  | 1               |          |                 |          |
| SRM-2                | N.B. # STA. 13+15± RT.             | M3-1 NORTH<br>M1-6(30) 30<br>M6-3 ↑<br>M3-2 EAST<br>M1-6(310) 310<br>M6-1(R) → |                 |          | 1               |          |
| SRM-3                | S.B. # STA. 41+80± LT.             | M3-2 EAST<br>M1-6(310) 310<br>M6-1(L) ←<br>M3-3 SOUTH<br>M1-6(30) 30<br>M6-3 ↑ |                 |          | 1               |          |
| SRM-4                | N. KIHAI RD.<br># STA. 1+80± LT.   | M1-6(30) 30<br>M6-4 ↔  | 1               |          |                 |          |
| SRM-5                | S.B. # STA. 48+30± LT.             | M2-1 JCT<br>M1-6(310) 310  | 1               |          |                 |          |
| SRM-6                | N.B. # STA. 25+00± RT.             | M2-1 JCT<br>M1-6(380) 380  | 1               |          |                 |          |
| SRM-7                | N.B. # STA. 50+85± RT.             | M1-6(30) 30<br>M6-3 ↑<br>M1-6(380) 380<br>M6-1(R) →                            |                 |          |                 |          |
| SRM-8                | S.B. # STA. 62+10± LT.             | M1-6(380) 380<br>M6-1(L) ←<br>M1-6(30) 30<br>M6-3 ↑                            |                 |          | 1               |          |
| SRM-9                | S.B. # STA. 68+38± LT.             | M2-1 JCT<br>M1-6(380) 380  | 1               |          |                 |          |
| SRM-10               | N. KIHAI RD.<br># STA. 6+40± LT.   | M2-1 JCT<br>M1-6(30) 30  | 1               |          |                 |          |
| SRM-11               | KUIHELANI HWY.<br># STA. 4+90± RT. | M1-6(380) 380  | 1               |          |                 |          |
| SRM-12               | KUIHELANI HWY.<br># STA. 5+10± LT. | M1-6(30) 30<br>M6-4 ↔  | 1               |          |                 |          |
| SRM-13               | KUIHELANI HWY.<br># STA. 8+80± LT. | M2-1 JCT<br>M1-6(30) 30  | 1               |          |                 |          |

| DESTINATION SIGN SUMMARY |                                 |               |                          |         |
|--------------------------|---------------------------------|---------------|--------------------------|---------|
| SIGN NO.                 | LOCATION                        | SIZE          | NEW PANEL AREA (SQ. FT.) |         |
|                          |                                 |               | W/O POSTS                | W/POSTS |
| D-1                      | N.B. # STA. 6+45± RT.           | 9'-0" x 7'-6" |                          | 67.50   |
| D-2                      | N.B. # STA. 26+00± RT.          | 9'-0" x 6'-6" |                          | 58.50   |
| D-3                      | S.B. # STA. 73+90± LT.          | 9'-0" x 5'-0" |                          | 45.00   |
| D-4                      | N. KIHAI RD. # STA. 5+80± LT.   | 9'-0" x 6'-6" |                          | 58.50   |
| D-5                      | KUIHELANI HWY. # STA. 7+00± LT. | 9'-0" x 6'-6" |                          | 58.50   |
| TOTAL                    |                                 |               |                          | 288.00  |

| MILEPOST MARKER SUMMARY |                      |          |          |  |
|-------------------------|----------------------|----------|----------|--|
| LOCATION                | SIGN NO. AND MESSAGE | QUANTITY |          |  |
|                         |                      | W/POST   | W/O POST |  |
| N.B. # STA. 26+70± RT.  | D10-4 5<br>D10-7 30  | 1        | x        |  |
| S.B. # STA. 52+55± LT.  | D10-4 5<br>D10-7 30  | 1        | x        |  |
| TOTAL                   |                      | 2        |          |  |

| REFLECTOR MARKER SUMMARY |                 |       |              |       |
|--------------------------|-----------------|-------|--------------|-------|
| TYPE                     | QUANTITY        |       |              |       |
|                          | W/FLEXIBLE POST |       | W/STEEL POST |       |
|                          | YELLOW          | WHITE | YELLOW       | WHITE |
| RM-3                     | 14              |       | 38           |       |
| RM-4                     |                 |       | 4            |       |

SURVEY PLOTTED BY \_\_\_\_\_ DATE \_\_\_\_\_  
 DRAWN BY B. Arch \_\_\_\_\_  
 NOTE BOOK \_\_\_\_\_  
 QUANTITIES BY G. Kishitani \_\_\_\_\_  
 CHECKED BY N. Hironaka \_\_\_\_\_

STATE OF HAWAII  
 DEPARTMENT OF TRANSPORTATION  
 HIGHWAYS DIVISION  
**MISCELLANEOUS TRAFFIC SUMMARIES**  
  
 HONOAPIILANI HIGHWAY WIDENING  
 North Kihei Road to Kuihelani Highway  
 F.A. Project No. BR-NH-030-1(24)  
 Date: July, 2000  
 SHEET No. T12 OF 13 SHEETS

| PAVEMENT MARKING SUMMARY                          |             |
|---|-------------|
| DESCRIPTION                                       | QUANTITY    |
| <b>PAVEMENT MARKERS</b>                           |             |
| TYPE A _____                                      | 908 EA.     |
| TYPE C _____                                      | 790 EA.     |
| TYPE D _____                                      | 46 EA.      |
| TYPE H _____                                      | 394 EA.     |
| <b>TAPE - TYPE I OR THERMOPLASTIC EXTRUSION</b>   |             |
| 4-INCH PAVEMENT STRIPE (WHITE) _____              | 4,250 L.F.  |
| 8-INCH PAVEMENT STRIPE (WHITE) _____              | 2,080 L.F.  |
| DOUBLE 4-INCH PAVEMENT STRIPE (YELLOW) _____      | 930 L.F.    |
| <b>TAPE - TYPE II OR THERMOPLASTIC EXTRUSION</b>  |             |
| 4-INCH PAVEMENT STRIPE (WHITE) _____              | 14,500 L.F. |
| 4-INCH PAVEMENT STRIPE (YELLOW) _____             | 6,310 L.F.  |
| 8-INCH PAVEMENT STRIPE (WHITE) _____              | 1,020 L.F.  |
| 12-INCH PAVEMENT STRIPE (WHITE) _____             | 1,100 L.F.  |
| 12-INCH PAVEMENT STRIPE (YELLOW) _____            | 610 L.F.    |
| DOUBLE 4-INCH PAVEMENT STRIPE (YELLOW) _____      | 4,790 L.F.  |
| <b>TAPE - TYPE III OR THERMOPLASTIC EXTRUSION</b> |             |
| 4-INCH PAVEMENT STRIPE (WHITE) _____              | 1,590 L.F.  |
| 12-INCH PAVEMENT STRIPE (WHITE) _____             | 220 L.F.    |
| PAVEMENT ARROW _____                              | 64 EA.      |
| <b>PAINT - PARK &amp; RIDE</b>                    |             |
| 4-INCH PAVEMENT STRIPE (WHITE) _____              | 2,320 L.F.  |
| HANDICAPPED LOGO (WHITE) _____                    | 3 EA.       |

| TRAFFIC SIGN SUMMARY |                                    |                    |          |
|----------------------|------------------------------------|--------------------|----------|
| SIGN NO.             | MESSAGE                            | QUANTITY           |          |
|                      |                                    | 10 SQ. FT. OR LESS |          |
|                      |                                    | W/POST             | W/O POST |
| R1-1                 | STOP                               | 1                  |          |
| R1-2                 | YIELD                              | 1                  |          |
| R2-4a(45/35)         | SPEED LIMIT 45 MINIMUM 35          | 1                  |          |
| R2-5b(45)            | REDUCED SPEED 45                   | 1                  |          |
| R3-8a(L)             |                                    | 2                  |          |
| R3-8a(R)             |                                    | 2                  |          |
| R3-8b                |                                    | 4                  |          |
| R3-40(R)             |                                    | 2                  |          |
| R4-2                 | PASS WITH CARE                     | 1                  |          |
| R7-8a                | PARKING RESERVED  PLACARD REQUIRED | 2                  |          |
| R7-201a              |                                    |                    | 2        |
| R8-10                | PASSENGER PICK-UP ONLY             | 1                  |          |
| R15-1                | UNLAWFUL TO LITTER \$500 FINE      | 2                  |          |
| R16-1                | BUCKLE UP  ITS THE LAW             | 3                  |          |
| R17-3                | ON LEFT ARROW ONLY NO U TURN       |                    | 4        |
| W3-3                 |                                    | 1                  |          |
| I-5                  |                                    | 1                  |          |
| D4-2(R)              | PARK & RIDE                        | 1                  |          |
| D4-2(L)              | PARK & RIDE                        | 1                  |          |
|                      | VAN ACCESSIBLE                     |                    | 1        |
| TOTAL                |                                    | 27                 | 7        |



| CONSTRUCTION SIGN SUMMARY |                                  |                 |         |          |
|---------------------------|----------------------------------|-----------------|---------|----------|
| SIGN NO.                  | LOCATION                         | MESSAGE         | W/POSTS | W/O POST |
| CG20-2A                   | S.B. # STA. 20+88± RT.           | END ROAD WORK   | 1       |          |
| CW20-1Ad                  | S.B. # STA. 20+88± LT.           | ROAD WORK AHEAD | 1       |          |
| CW20-1Ad                  | S.B. # STA. 80+13± LT.           | ROAD WORK AHEAD | 1       |          |
| CG20-2A                   | S.B. # STA. 80+13± RT.           | END ROAD WORK   | 1       |          |
| CG20-2A                   | N. KIHEI RD. # STA. 8+00± RT.    | END ROAD WORK   | 1       |          |
| CW20-1Ad                  | N. KIHEI RD. # STA. 8+00± LT.    | ROAD WORK AHEAD | 1       |          |
| CW20-1Ad                  | KUIHELANI HWY. # STA. 14+50± LT. | ROAD WORK AHEAD | 1       |          |
| CG20-2A                   | KUIHELANI HWY. # STA. 14+50± RT. | END ROAD WORK   | 1       |          |
| TOTAL                     |                                  |                 | 8       |          |

ORIGINAL PLAN  
 SURVEY PLOTTED BY \_\_\_\_\_ DATE \_\_\_\_\_  
 DRAWN BY R. Aji  
 TRACED BY G. Kagehi  
 DESIGNED BY G. Kagehi  
 CHECKED BY M. Libby  
 N. Phontsumi

STATE OF HAWAII  
 DEPARTMENT OF TRANSPORTATION  
 HIGHWAYS DIVISION  
**MISCELLANEOUS TRAFFIC SUMMARIES**  
  
 HONOAPIILANI HIGHWAY WIDENING  
 North Kihei Road to Kuihelani Highway  
 F.A. Project No. BR-NH-030-1(24)  
 Date: July, 2000  
 SHEET No. 713 OF 13 SHEETS