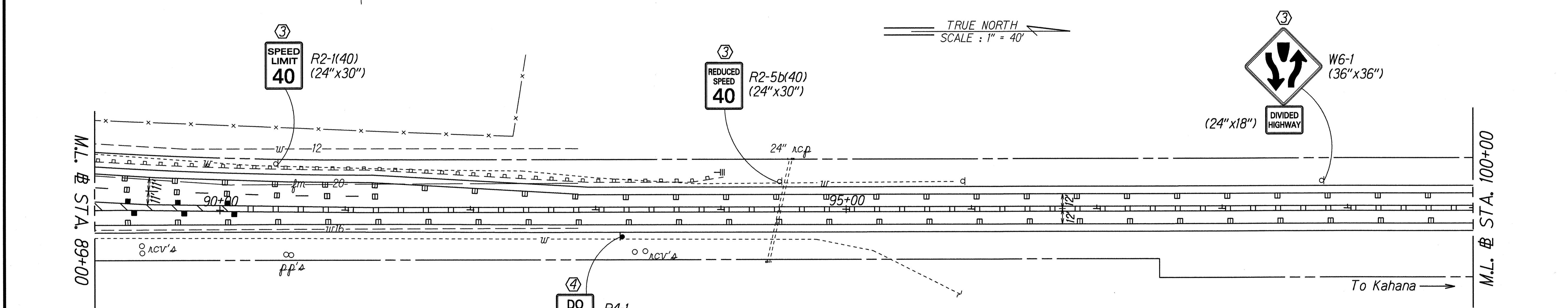
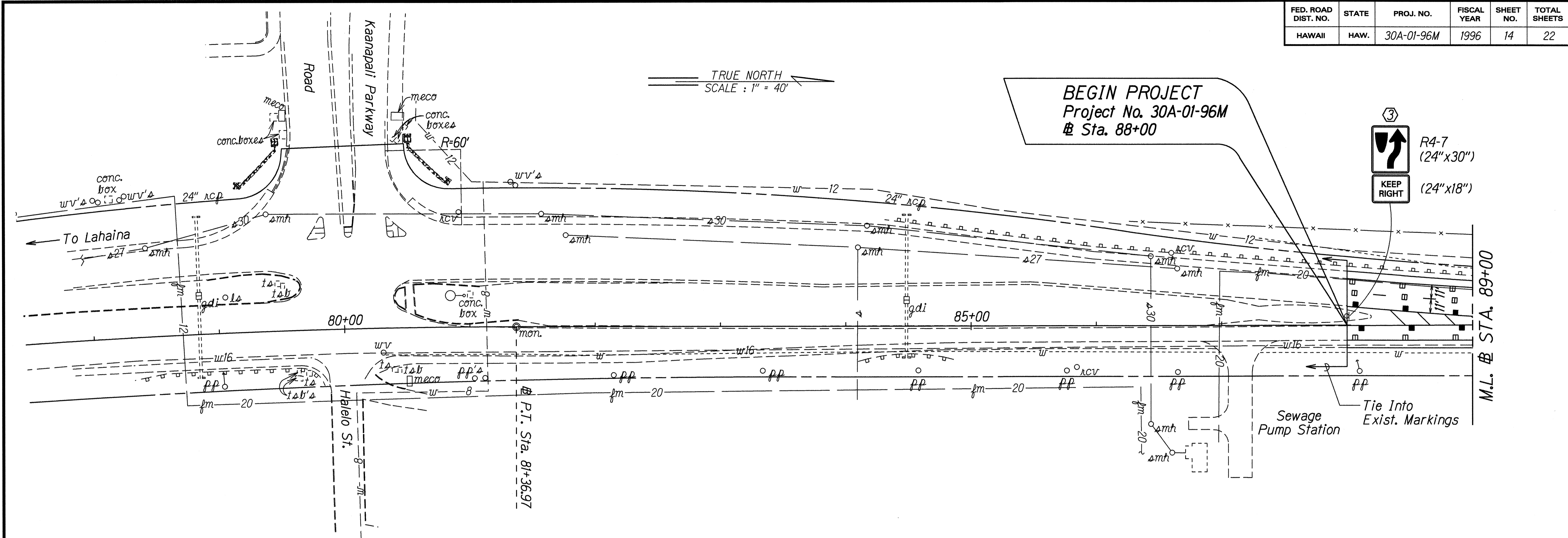


FED. ROAD DIST. NO.	STATE	PROJ. NO.	FISCAL YEAR	SHEET NO.	TOTAL SHEETS
HAWAII	HAW.	30A-01-96M	1996	14	22



DATE	Oct. 1995
SURVEY PLOTTED BY	
DRAWN BY	JG
TRACED BY	CP
DESIGNED BY	JG
CHECKED BY	JG

- KEY:**
- ① Exist. Sign(s) & Post(s) to Remain
 - ② Remove Exist. Sign(s) & Post(s)
 - ③ Remove Exist. & Install New Sign(s) & Post(s)
 - ④ Install New Sign(s) & Post(s)

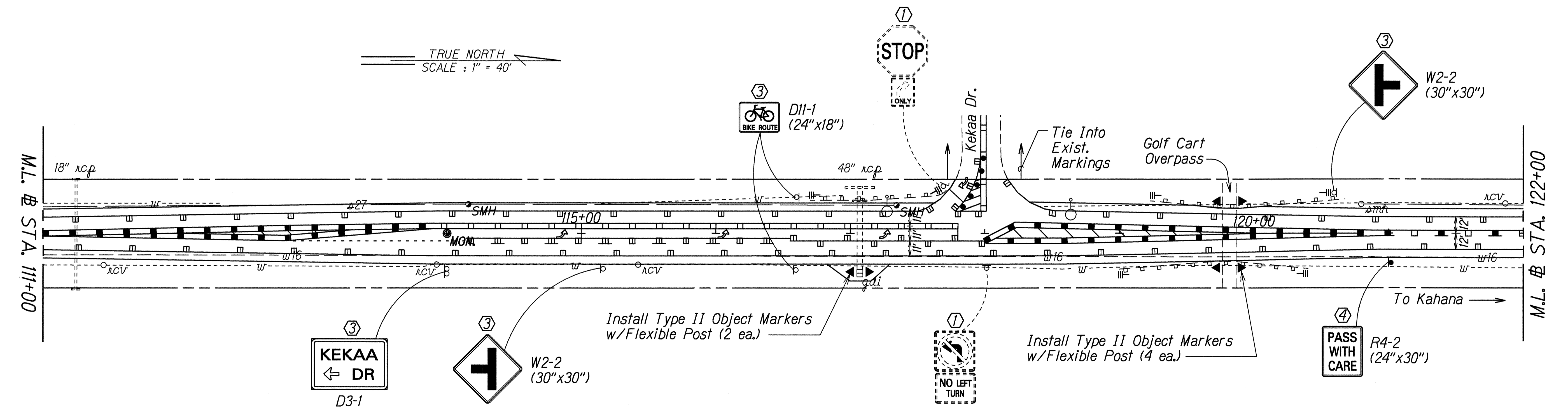
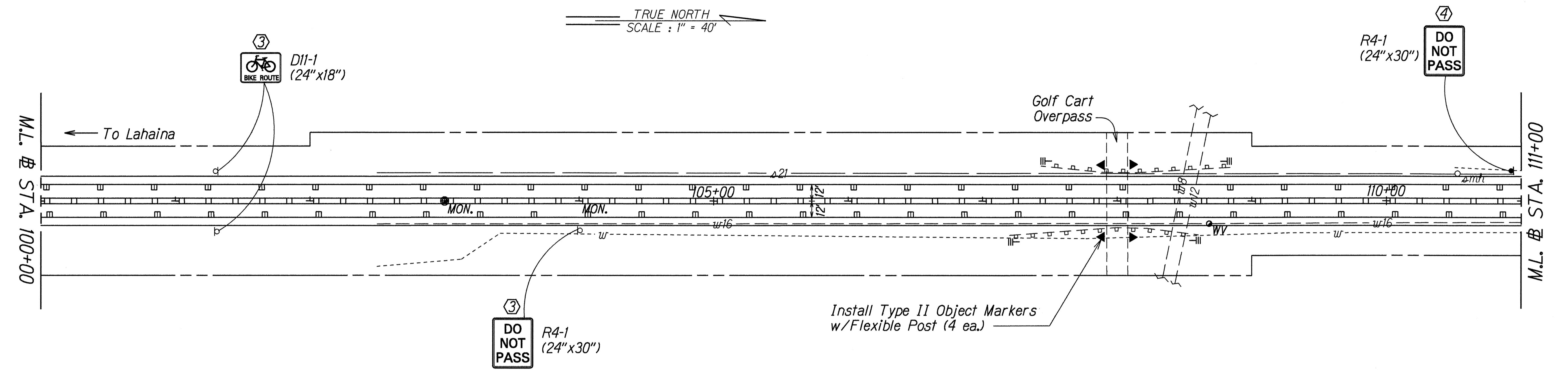
STATE OF HAWAII
DEPARTMENT OF TRANSPORTATION
HIGHWAYS DIVISION

**SIGNING & PAVEMENT
MARKING PLAN**

HONOAPIILANI HIGHWAY RESURFACING
Kaanapali to Honokowai
Project No. 30A-01-96M
Scale: 1" = 40' Date: March, 1996

SHEET No. 1 OF 5 SHEETS

FED. ROAD DIST. NO.	STATE	PROJ. NO.	FISCAL YEAR	SHEET NO.	TOTAL SHEETS
HAWAII	HAW.	30A-01-96M	1996	15	22



DATE	1996
SURVEY PLOTTED BY	
DRAWN BY	
DESIGNED BY	
CHECKED BY	

- KEY:**
- ① Exist. Sign(s) & Post(s) to Remain
 - ② Remove Exist. Sign(s) & Post(s)
 - ③ Remove Exist. & Install New Sign(s) & Post(s)
 - ④ Install New Sign(s) & Post(s)

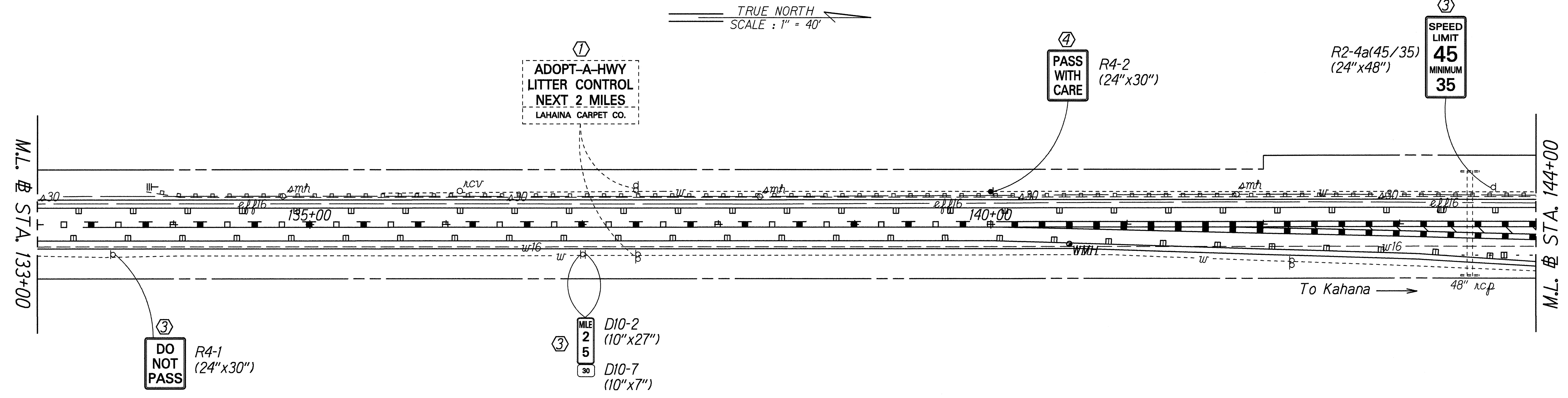
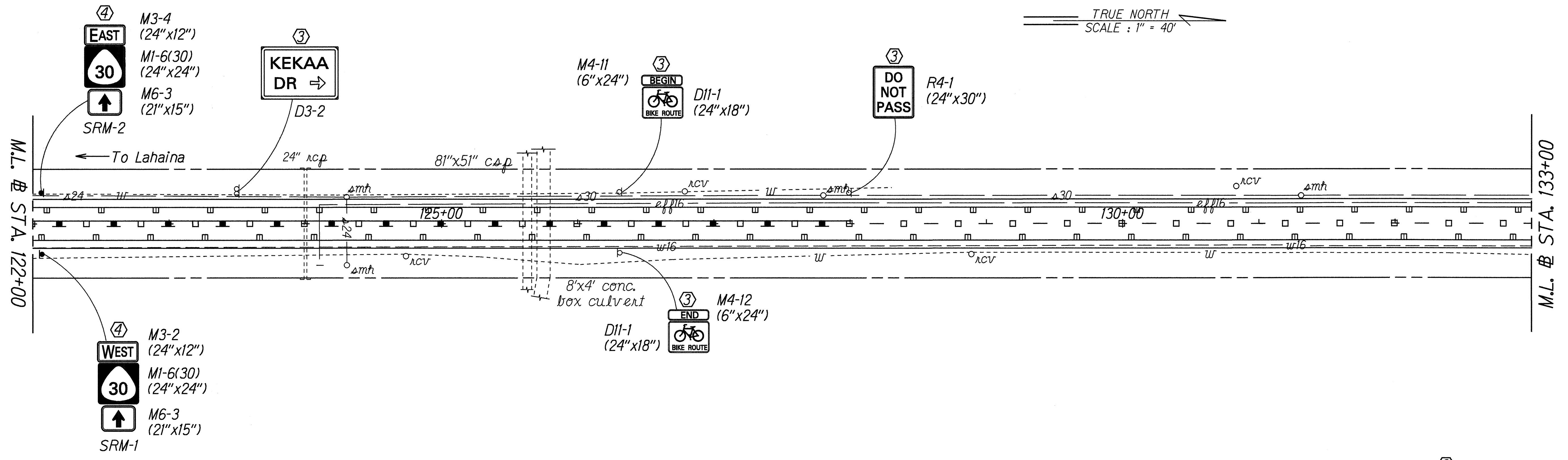
STATE OF HAWAII
DEPARTMENT OF TRANSPORTATION
HIGHWAYS DIVISION

**SIGNING & PAVEMENT
MARKING PLAN**

HONOAPIILANI HIGHWAY RESURFACING
Kaanapali to Honokowai
Project No. 30A-01-96M
Scale: 1" = 40' Date: March, 1996

SHEET No. 2 OF 5 SHEETS

FED. ROAD DIST. NO.	STATE	PROJ. NO.	FISCAL YEAR	SHEET NO.	TOTAL SHEETS
HAWAII	HAW.	30A-01-96M	1996	16	22



SURVEY PLOTTED BY	DATE
DRAWN BY	
TRACED BY	
NOTED BY	
QUANTITIES BY	
CHECKED BY	

- KEY:**
- ① Exist. Sign(s) & Post(s) to Remain
 - ② Remove Exist. Sign(s) & Post(s)
 - ③ Remove Exist. & Install New Sign(s) & Post(s)
 - ④ Install New Sign(s) & Post(s)

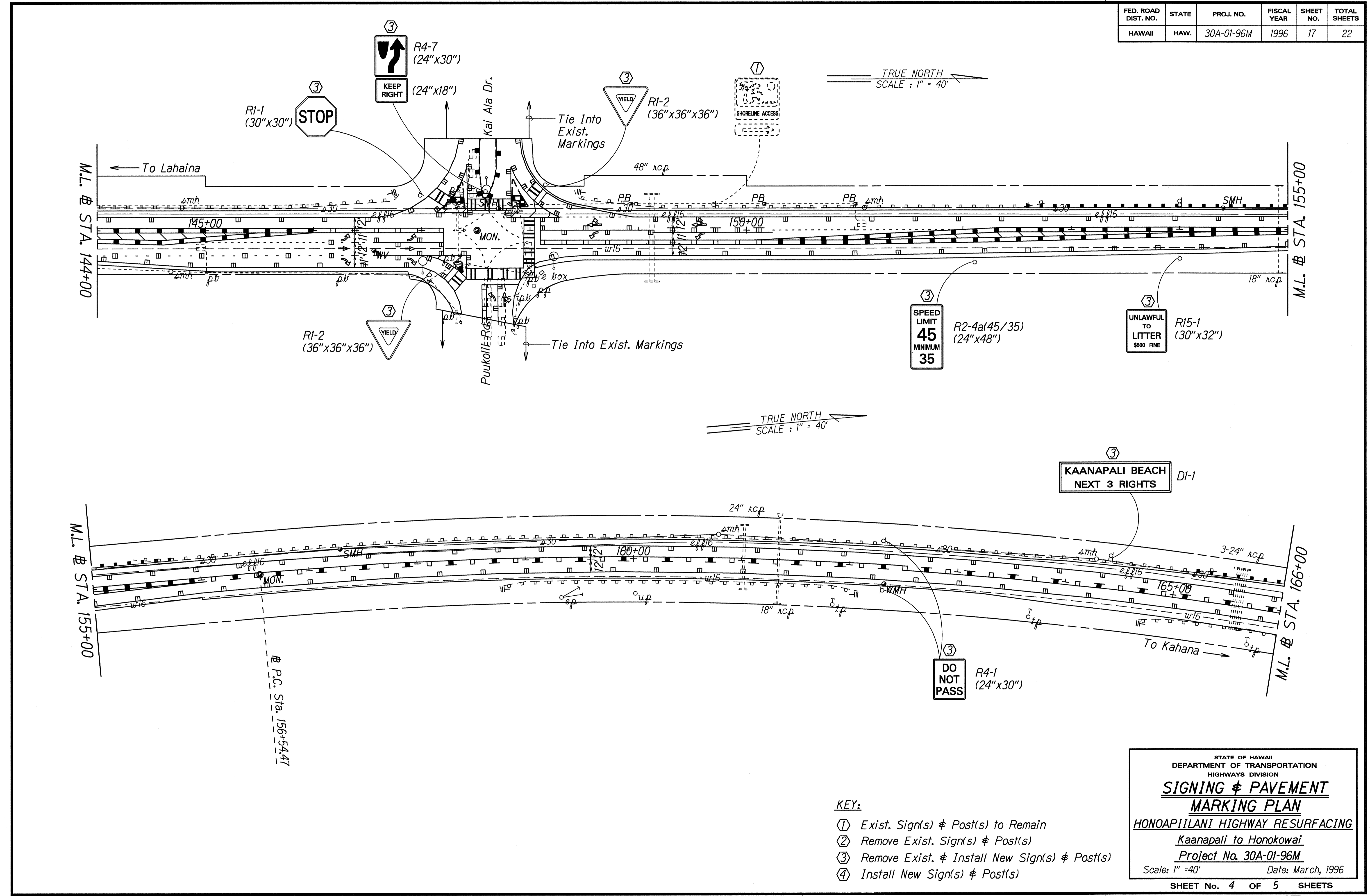
STATE OF HAWAII
DEPARTMENT OF TRANSPORTATION
HIGHWAYS DIVISION

**SIGNING & PAVEMENT
MARKING PLAN**

HONOAPIILANI HIGHWAY RESURFACING
Kaanapali to Honokowai
Project No. 30A-01-96M
Scale: 1" = 40' Date: March, 1996

SHEET No. 3 OF 5 SHEETS

FED. ROAD DIST. NO.	STATE	PROJ. NO.	FISCAL YEAR	SHEET NO.	TOTAL SHEETS
HAWAII	HAW.	30A-01-96M	1996	17	22



TRUE NORTH
SCALE : 1" = 40'

TRUE NORTH
SCALE : 1" = 40'

DATE	Oct. 1992
SURVEY PLOTTED BY	JG
DRAWN BY	JG
TRACED BY	CR
DESIGNED BY	JG
CHECKED BY	JG
ORIGINAL PLAN	
NOTE BOOK	
DESIGNED BY	JG
CHECKED BY	JG

- KEY:**
- ① Exist. Sign(s) & Post(s) to Remain
 - ② Remove Exist. Sign(s) & Post(s)
 - ③ Remove Exist. & Install New Sign(s) & Post(s)
 - ④ Install New Sign(s) & Post(s)

STATE OF HAWAII
DEPARTMENT OF TRANSPORTATION
HIGHWAYS DIVISION

**SIGNING & PAVEMENT
MARKING PLAN**

HONOAPIILANI HIGHWAY RESURFACING
Kaanapali to Honokowai
Project No. 30A-01-96M
Scale: 1" = 40' Date: March, 1996

SHEET No. 4 OF 5 SHEETS

