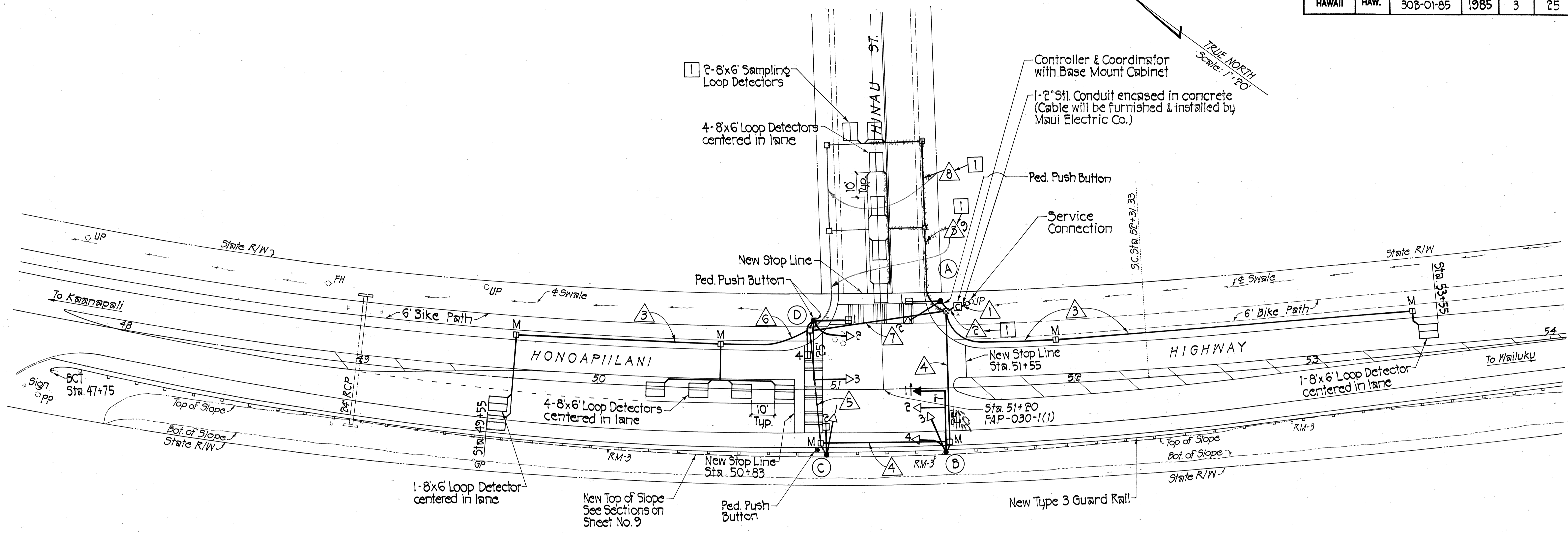


FED. ROAD DIST. NO.	STATE	PROJ. NO.	FISCAL YEAR	SHEET NO.	TOTAL SHEETS
HAWAII	HAW.	30B-01-85	1985	3	25

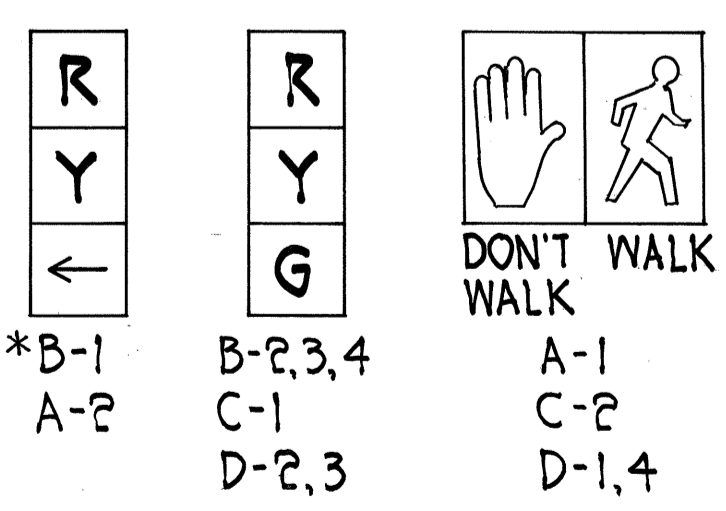


**PLAN**  
Scale: 1"=20'

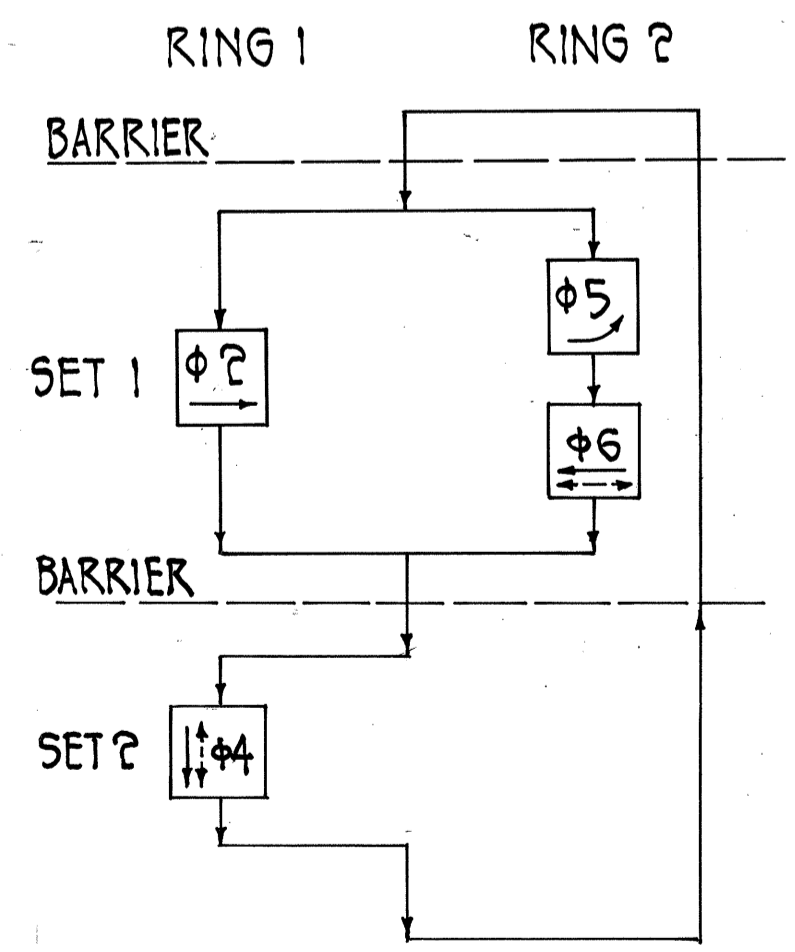
See Sheet No. 53-1  
For Additional Lane Geometrics

**CONDUIT & CABLE SCHEDULE**

△	CONDUIT	CABLE
1	1-2" Stl. Sch. 40 1-2" Sch. 80	1-3C#6 (Furnished & installed by Maui Electric Co.), 1-2C#20
2	5/8-2" Sch. 80	2-26C#14, 6-2C#14 [1]
3	1-2" Sch. 80	1-2C#14
4	1-2" Sch. 80	1-26C#14
5	2-2" Sch. 80	1-26C#14, 1-2C#14
6	1-2" Sch. 80	2-2C#14
7	2-2" Sch. 80	1-26C#14, 2-2C#14
8	1-2" Sch. 80	2-2C#14 [1]
9	1-2" Sch. 80	3-2C#14 [1]



\*Programmed Visibility Signal  
**SIGNAL INDICATIONS**



**PHASE DIAGRAM**

SURVEY PLOTTED BY: \_\_\_\_\_ DATE: \_\_\_\_\_  
 DRAWN BY: \_\_\_\_\_  
 DESIGNED BY: \_\_\_\_\_  
 CHECKED BY: \_\_\_\_\_  
 ORIGINAL PLAN NO. \_\_\_\_\_  
 NOTE BOOK NO. \_\_\_\_\_

THIS WORK WAS PREPARED BY  
 ME OR UNDER MY SUPERVISION.  
 Harold I. Yoshizaki

12-12-84 [1] Revision No. 1  
 Added 2" Sampling Loop Detectors &  
 2C#14 Cables on Hinau St.  
 DATE: \_\_\_\_\_ REVISION: \_\_\_\_\_  
 STATE OF HAWAII  
 DEPARTMENT OF TRANSPORTATION  
 HIGHWAYS DIVISION  
**PLAN - TRAFFIC SIGNAL SYSTEM  
 AT HINAU STREET**  
 HONOAPIILANI HIGHWAY TRAFFIC SIGNALS AT  
 HINAU & KAPUNAKEA STREET; INTERCONNECTION  
 BETWEEN LAHANALUNA ROAD & FLEMING ROAD  
 PROJECT NO. 30B-01-85  
 SCALE: 1"=20' DATE: Sept. 21, 1984  
 SHEET NO. 1 OF 2 SHEETS

