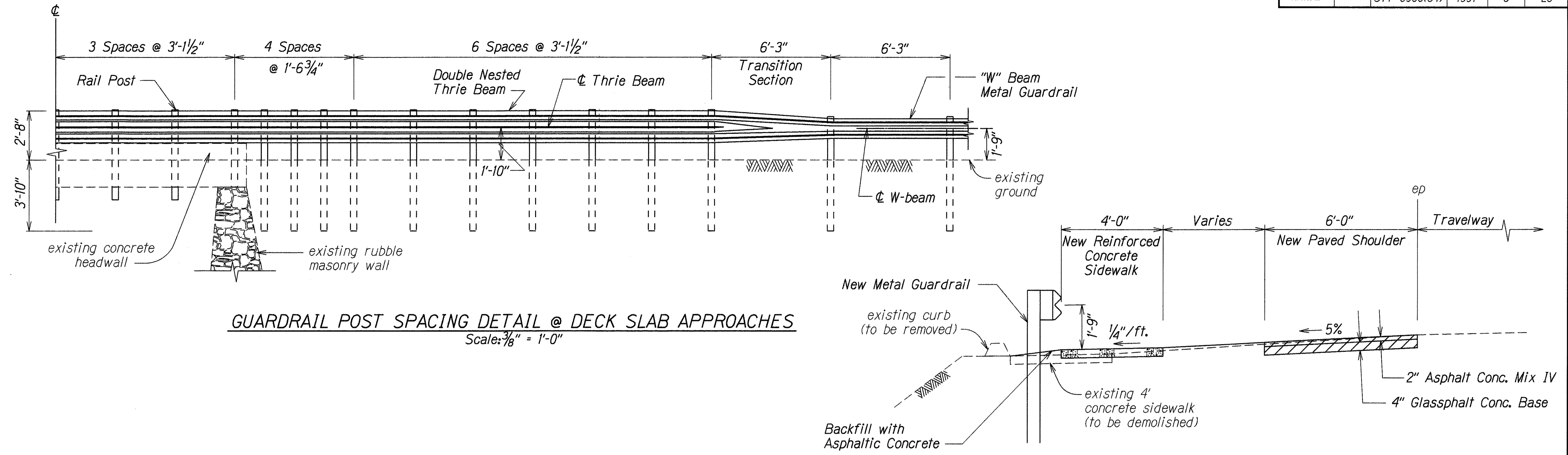
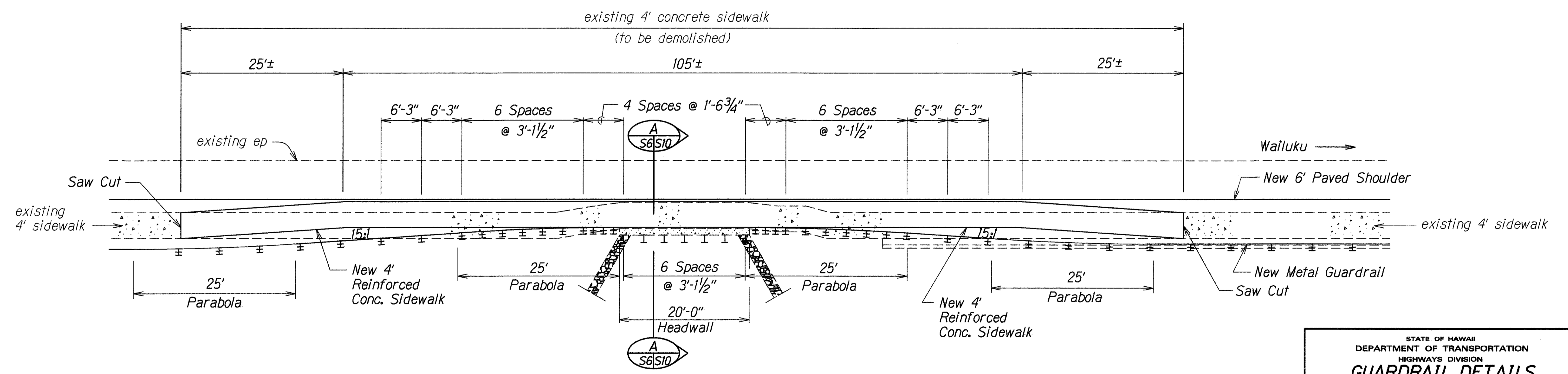


FED. ROAD DIST. NO.	STATE	FED. AID PROJ. NO.	FISCAL YEAR	SHEET NO.	TOTAL SHEETS
HAWAII	HAW.	STP-0900(34)	1997	6	20



GUARDRAIL POST SPACING DETAIL @ DECK SLAB APPROACHES
Scale: $\frac{3}{8}'' = 1'-0''$

SIDEWALK RECONSTRUCTION DETAIL
Scale: $\frac{1}{2}'' = 1'-0''$

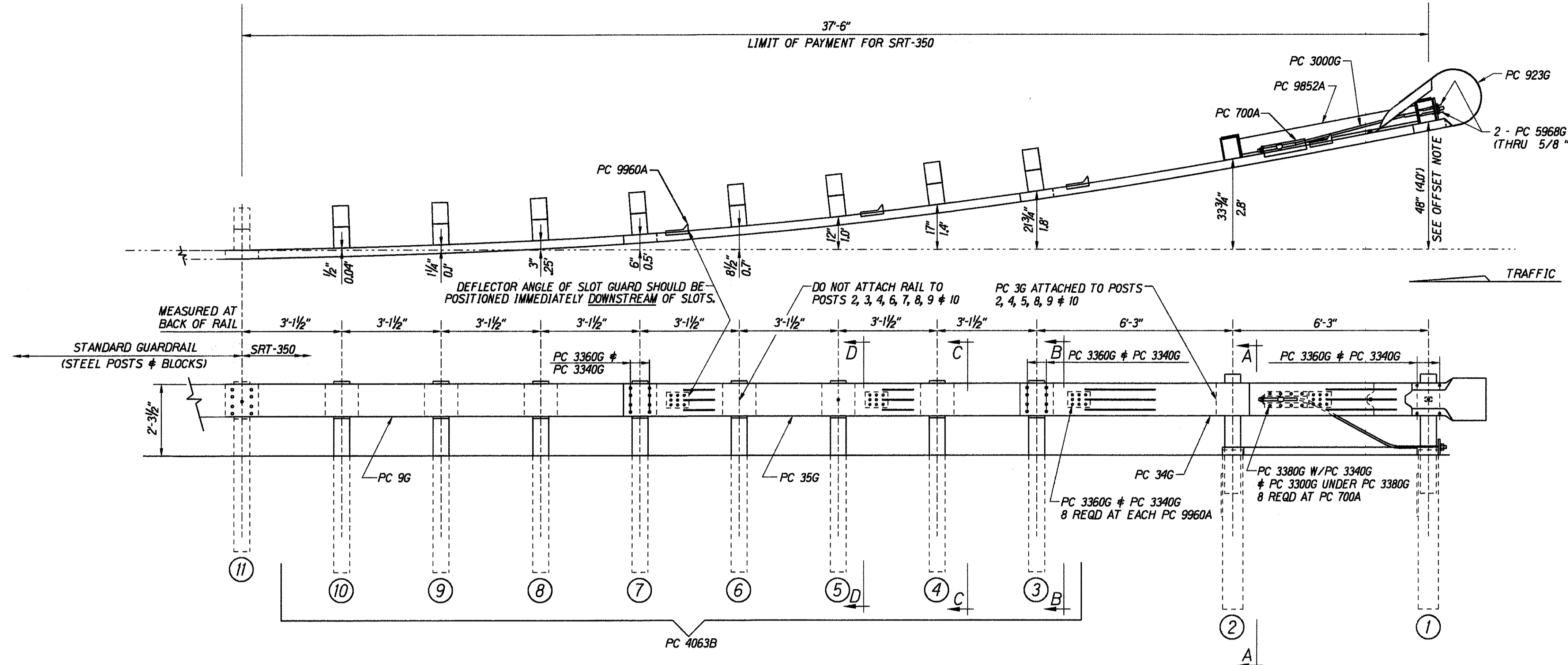


DETAIL ON THRIE BEAM TRANSITION @ DECK SLAB APPROACHES AND NEW CONCRETE SIDEWALK
Scale: $\frac{1}{8}'' = 1'-0''$

ORIGINAL PLAN	DATE	Mar. 1996
SURVEY PLOTTED BY		
DRAWN BY		
TRACED BY		
NOTED BY		
QUANTITIES BY		
CHECKED BY		

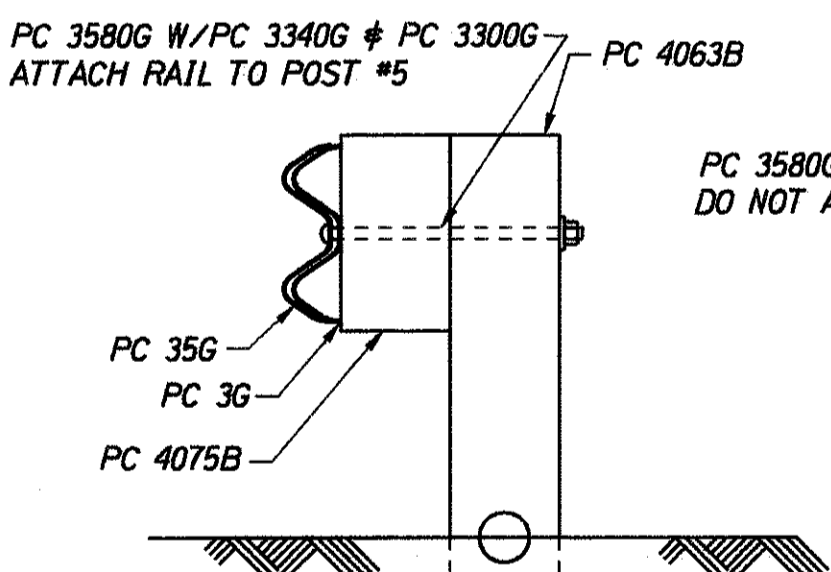
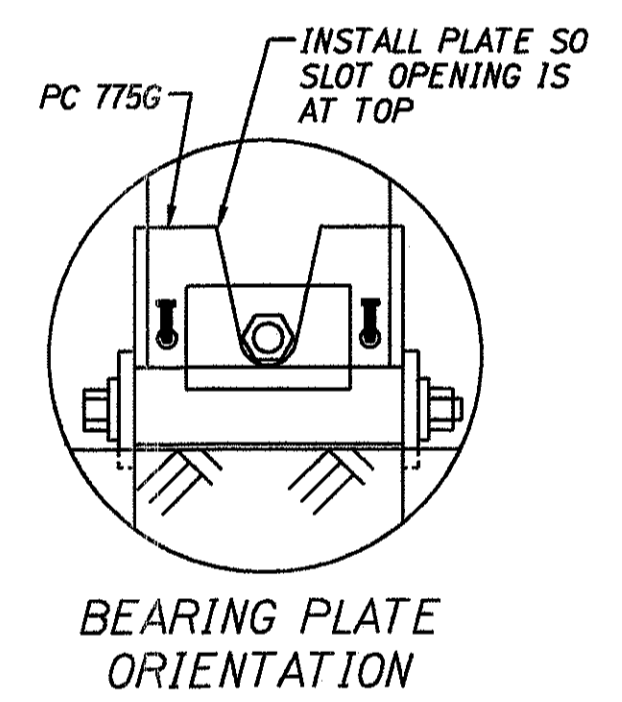
STATE OF HAWAII
DEPARTMENT OF TRANSPORTATION
HIGHWAYS DIVISION
GUARDRAIL DETAILS
KAAHUMANU AVENUE & HANA HIGHWAY
GUARDRAIL & SHOULDER IMPROVEMENTS
Naniloa Drive to Kahului Beach Road &
Kaahumanu Avenue to Dairy Road
Fed. Aid Project No. STP-0900(34)
Scale: As Shown Date: March, 1996
SHEET No. 1 OF 1 SHEETS

FED. ROAD DIST. NO.	STATE	FED. AID PROJ. NO.	FISCAL YEAR	SHEET NO.	TOTAL SHEETS
HAWAII	HAW.	STP-0900(34)	1997	7	20

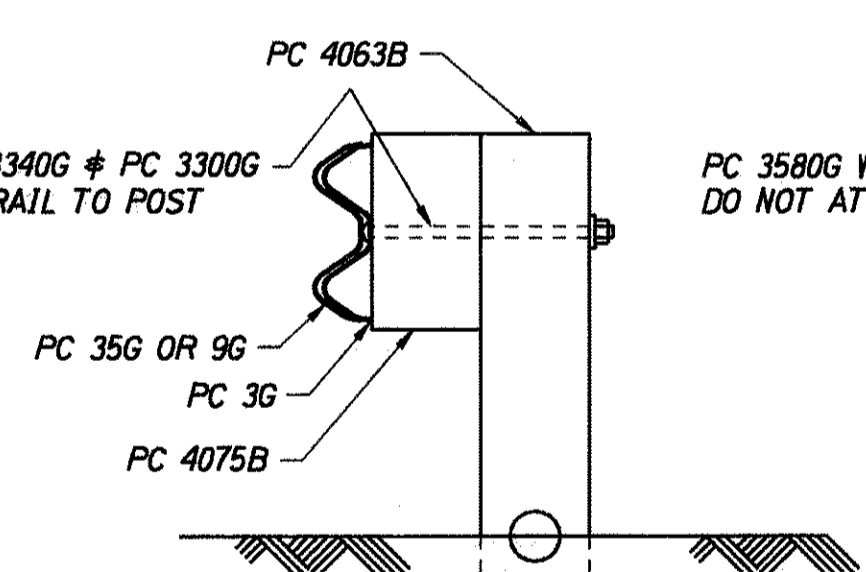


OFFSET NOTE:
 THE POST OFFSET DIMENSIONS ARE GIVEN TO THE CENTER OF THE TRAFFIC FACE OF THE BLOCKOUTS, EXCEPT AT THE FIRST TWO POSTS, WHERE THE DIMENSION IS TO THE CENTER OF THE TRAFFIC FACE OF THE POST. OFFSET POINTS ARE TO BE LOCATED BY CHORD MEASUREMENTS AT THE BACK OF THE RAIL EQUAL TO THE NOMINAL POST SPACINGS SHOWN. POSTS ARE TO BE SET APPROXIMATELY RADIAL TO THE RAILING AT EACH POST LOCATION.

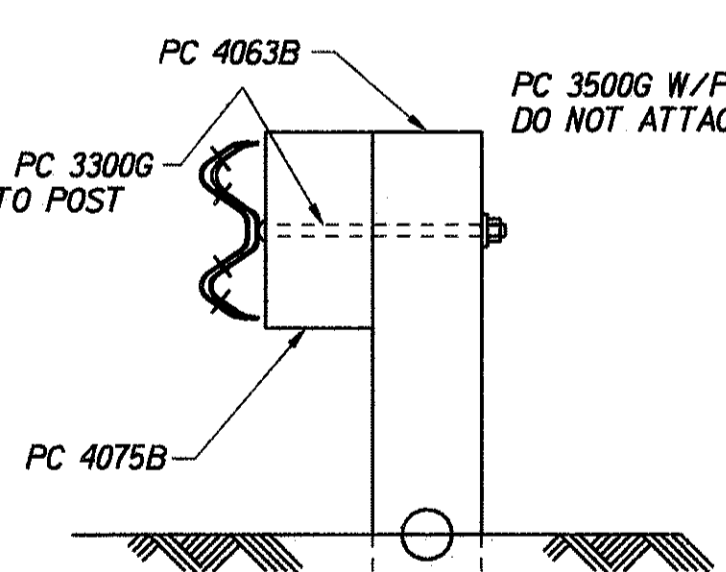
PC	QTY	DESCRIPTION
3G	7	1/2" x 12" / BACKUP (GUARDRAIL)
9G	1	1/2" x 126" / 63" / S (GUARDRAIL)
34G	1	1/2" x 126" / S SRT-1 (GUARDRAIL)
35G	1	1/2" x 126" / 63" / S SRT-2 (GUARDRAIL)
700A	1	CABLE ANCHOR BRACKET
705G	1	2" x 5 1/2" PIPE
736G	2	5" TUBE SLEEVE
766G	2	1/4" x 18" x 24" SOIL PLATE
775G	1	3/8" x 6" x 8" BEARING PLATE
923G	1	1/2" BARRIER / 98" (TERMINAL)
3000G	1	3/4" x 66" CABLE
3300G	22	3/8" WASHER
3320G	1	3/16" x 1 3/4" x 3 WASHER
3340G	77	3/8" HEX NUT
3360G	53	5/8" x 1 1/4" SPLICE BOLT
3380G	8	5/8" x 1 1/2" HEX HD BOLT
3478G	4	5/8" x 7 1/2" HEX HD BOLT
3497G	2	5/8" x 9 1/2" HEX HD BOLT
3500G	2	5/8" x 10" POST BOLT
3580G	8	5/8" x 18" POST BOLT
3900G	1	1" WASHER
3910G	2	1" HEX NUT
4063B	8	6" POST 6 x 8
4075B	8	14" BLOCK 6 x 8
4147B	2	3" 9 POST 5 1/2 x 7 1/2
5968G	2	16d NAIL SRT
9852A	1	STRUT ASSEMBLY
9960A	4	SLOT GUARD
9961G	1	3/8" x 3" x 4" PLATE WASHER



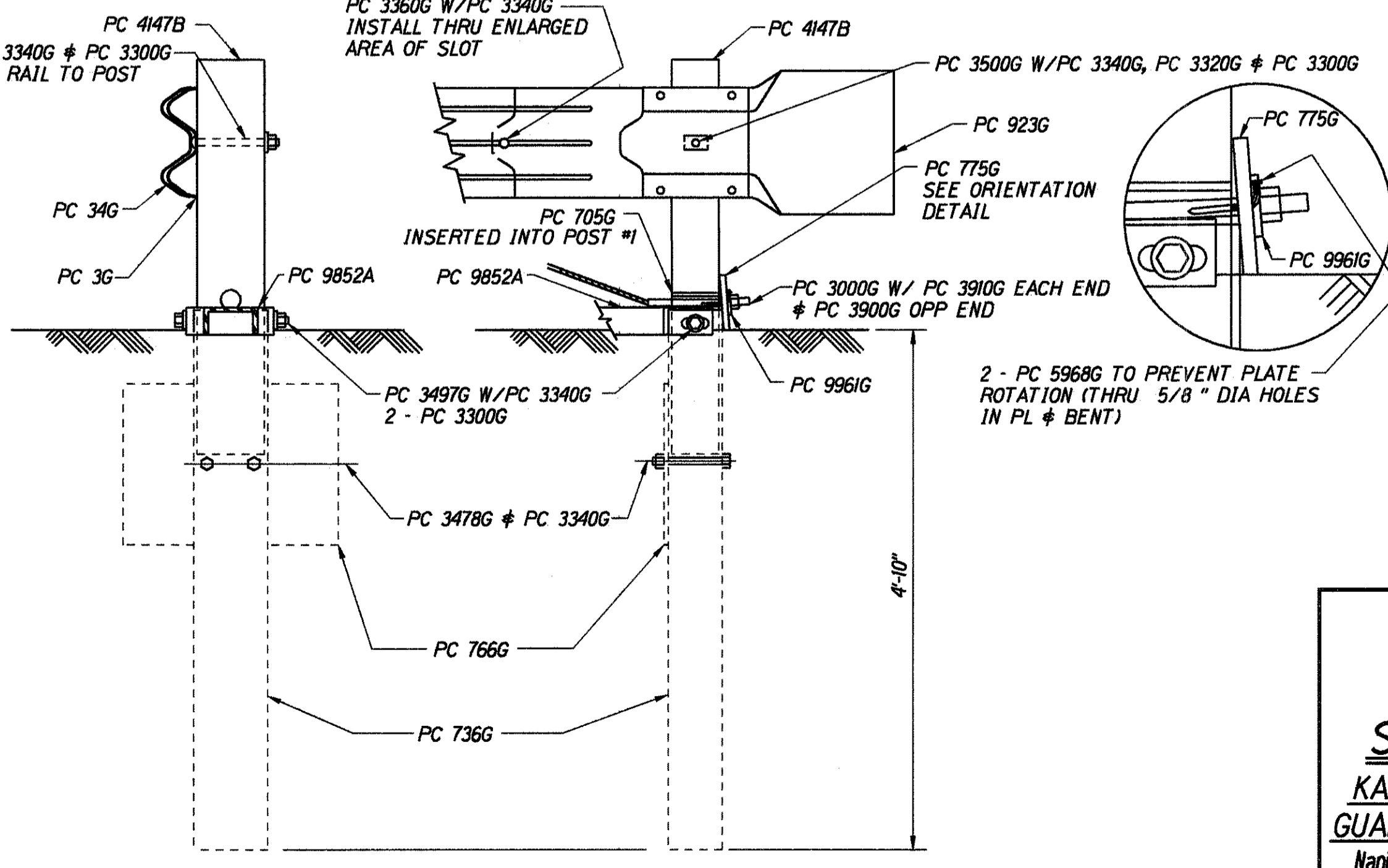
SECTION "D-D"
 (@ POST #5)



SECTION "C-C"
 (@ POSTS #4, #6, #8, #9 & #10)



SECTION "B-B"
 (@ POSTS #3 & #7)



SECTION "A-A"
 (@ POST #2)

ENLARGED VIEW @ POST #1

ORIGINAL PLAN
 SURVEY PLOTTED BY
 DRAWN BY
 DESIGNED BY
 CHECKED BY

STATE OF HAWAII
 DEPARTMENT OF TRANSPORTATION
 HIGHWAYS DIVISION
SRT-350
SLOTTED RAIL TERMINAL
 KAAHUMANU AVENUE & HANA HIGHWAY
 GUARDRAIL & SHOULDER IMPROVEMENTS
 Hanalei Dr. to Kahului Beach Rd. & Kaahumanu Ave. to Dairy Rd.
 Fed. Aid Project No. STP-0900(34)
 Not to Scale Date: March, 1996
 SHEET No. 1 OF 1 SHEETS