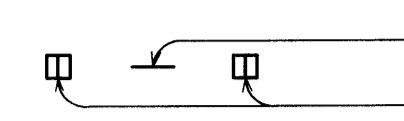
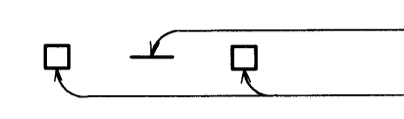
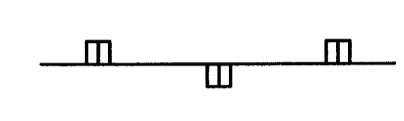
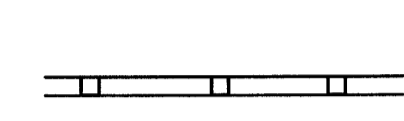



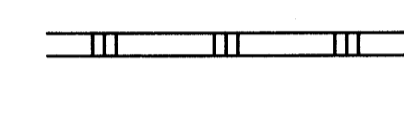


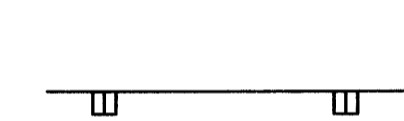


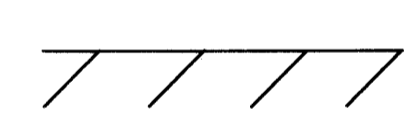
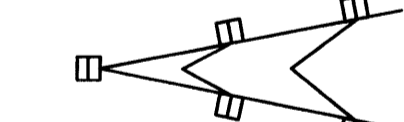

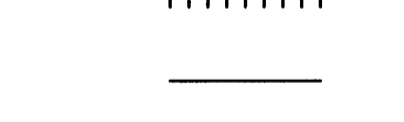



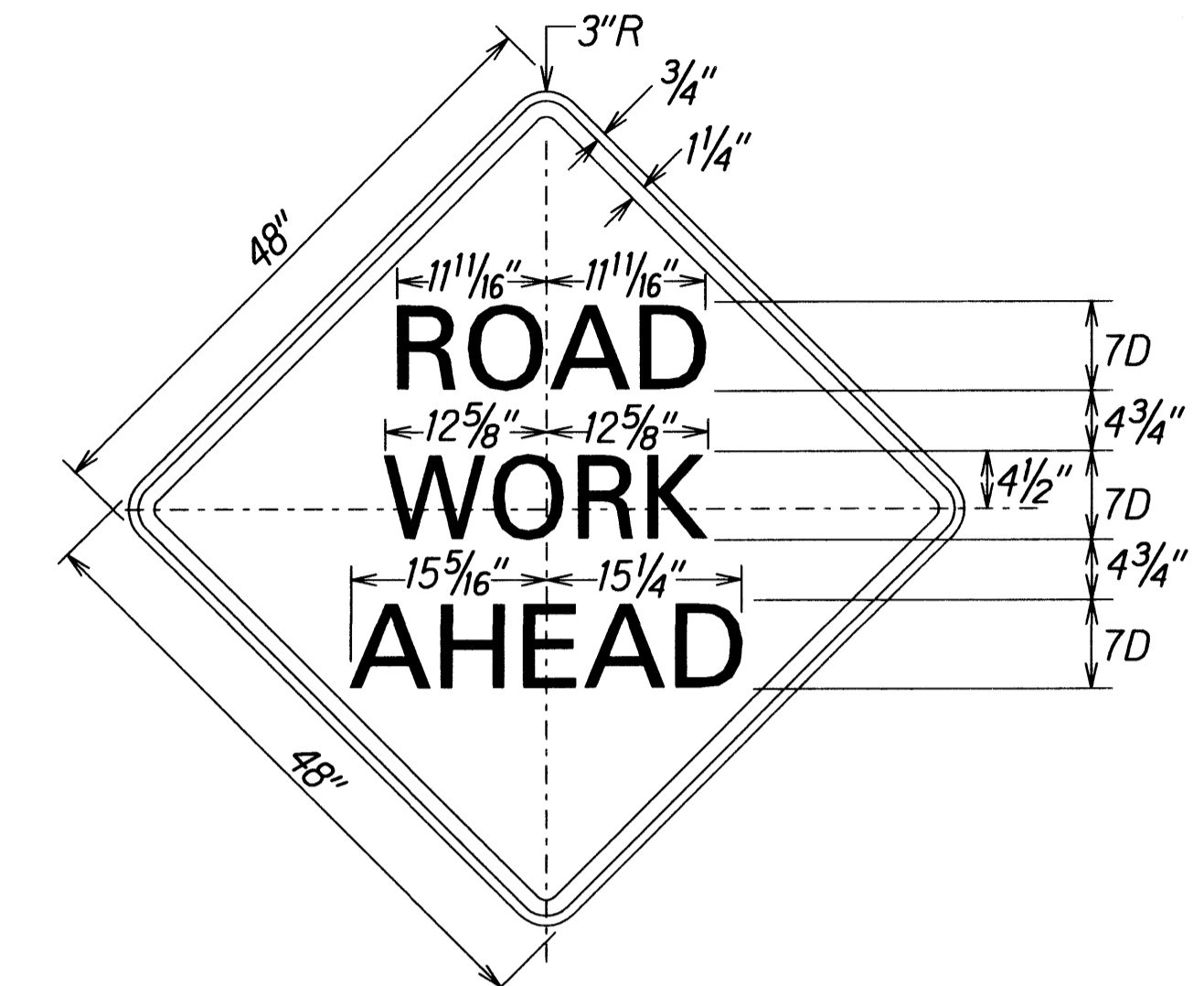
FED. ROAD DIST. NO.	STATE	FED. AID PROJ. NO.	FISCAL YEAR	SHEET NO.	TOTAL SHEETS
HAWAII	HAW.	ARR-0480(3)	2009	23	35

LEGEND

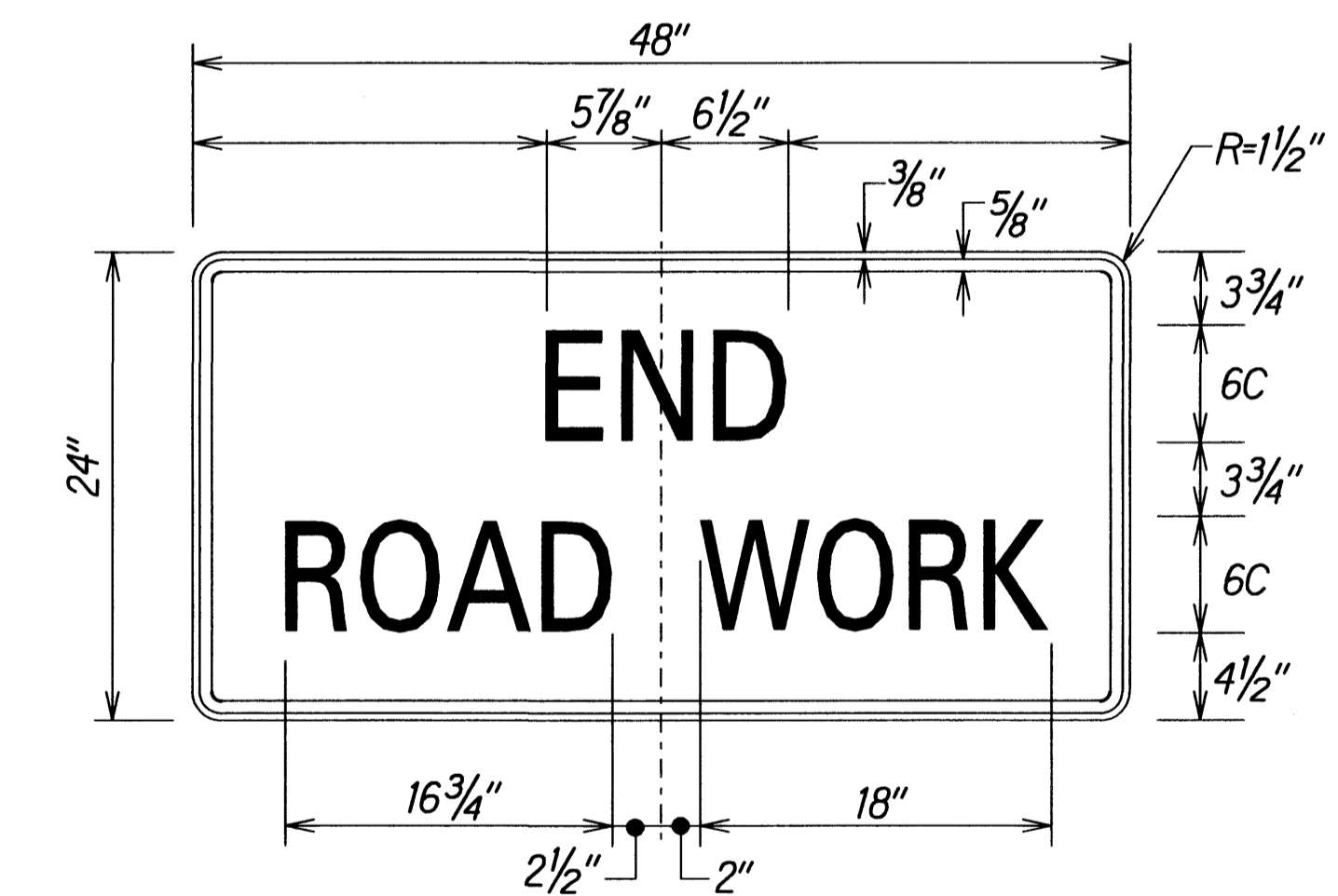
-  4 each Type A Raised Pavement Markers
Type C Raised Pavement Markers @ 40'-0" o.c.
-  4 each Type J Raised Pavement Markers
Type D Raised Pavement Markers @ 40'-0" o.c.
-  8" White Stripe with Type C Raised Pavement Markers @ 20'-0" o.c. (Tape, Type I or Thermoplastic Extrusion)
-  4" Double Solid Yellow with Type D Raised Pavement Markers @ 20'-0" o.c. (Tape, Type I or Thermoplastic Extrusion))
-  4" Double Solid Yellow Stripes with Type H Raised Pavement Markers @ 20'-0" o.c. (Tape, Type II or Thermoplastic Extrusion))
-  4" Yellow Edge Stripe with Type H Raised Pavement Markers @ 40'-0" o.c. (Tape, Type II or Thermoplastic Extrusion))
-  4" Double Solid White Stripes with Type C Raised Pavement Markers @ 20'-0" o.c. (Tape, Type I or Thermoplastic Extrusion)
-  Lane Change Restriction Marking
4 each Type A Raised Pavement Markers
Type C Raised Pavement Markers @ 20'-0" o.c.
4" White Stripe (Tape, Type I or Thermoplastic Extrusion)
-  4" or 8" White Edge Stripe with Type C Raised Pavement Markers @ 40'-0" o.c. (Tape, Type II or Thermoplastic Extrusion)
-  4" White Guide Lines (Tape, Type III or Thermoplastic Extrusion except for bus bays)
-  Transverse Median Marking (Tape, Type II or Thermoplastic Extrusion)
-  Transverse Shoulder Marking (Tape, Type II or Thermoplastic Extrusion)
-  Channelizing Island or Deceleration Lane Gore (Tape, Type II or Thermoplastic Extrusion)
-  Crosswalk and Stop Line. All Stop Lines shall be 10'-0" from Crosswalk unless otherwise noted. The circled number indicates the number of lanes for payment (Tape, Type III or Thermoplastic Extrusion)
-  Pavement Arrow (Tape, Type III or Thermoplastic Extrusion)
-  Pavement Word (Tape, Type III or Thermoplastic Extrusion)
-  4 Each Type J Raised Pavement Markers
Type D Raised Pavement Markers @ 40'-0" o.c.
Type H Raised Pavement Markers (Reflective Surface facing no-passing direction)
4" Single Solid Yellow Stripe (Tape, Type I or Thermoplastic Extrusion)
-  Extension of Edge Line, 4" Wide x 2'-0" Long White Stripe @ 10'-0" o.c. w/Type C Markers @ 40'-0" o.c. (Tape, Type III or Thermoplastic Extrusion)

NOTES

1. Layout of pavement markings and striping shall be done by the Contractor and approved by the Engineer prior to any installation work.
2. Existing pavement markings not incorporated in the final traffic pattern shall be removed as directed by the Engineer. Costs shall be incidental to the various pavement marking items.
3. Final locations of all signs shall be approved by the Engineer prior to any installation work.
4. Existing signs not shown on these plans shall remain as posted unless otherwise directed by the Engineer. Removal and disposal of existing signs and/or posts as designated on these plans shall be incidental to the various signing items.
5. Final locations of all Stop Lines shall be approved by the Engineer prior to installation.
6. All pavement striping shall be as noted on the legend or plans.
7. All preformed pavement marking tapes over existing pavement shall be applied with an approved primer as recommended by the tape manufacturer and as approved by the Engineer. The primer shall be allowed to dry to the tacky stage prior to tape application.



CW20-1Ad Colors:
Legend: Black (Non Ref)
Background: Orange
Scale: 1" = 1'-0"



CG20-2A Colors:
Legend: Black (Non Ref)
Background: Orange (Ref)
Scale: 1/2" = 1'-0"

ORIGINAL PLAN	DATE
SURVEY PLOTTED BY	02/20/09
DRAWN BY	
TRACED BY	
DESIGNED BY	
QUANTITIES BY	
CHECKED BY	

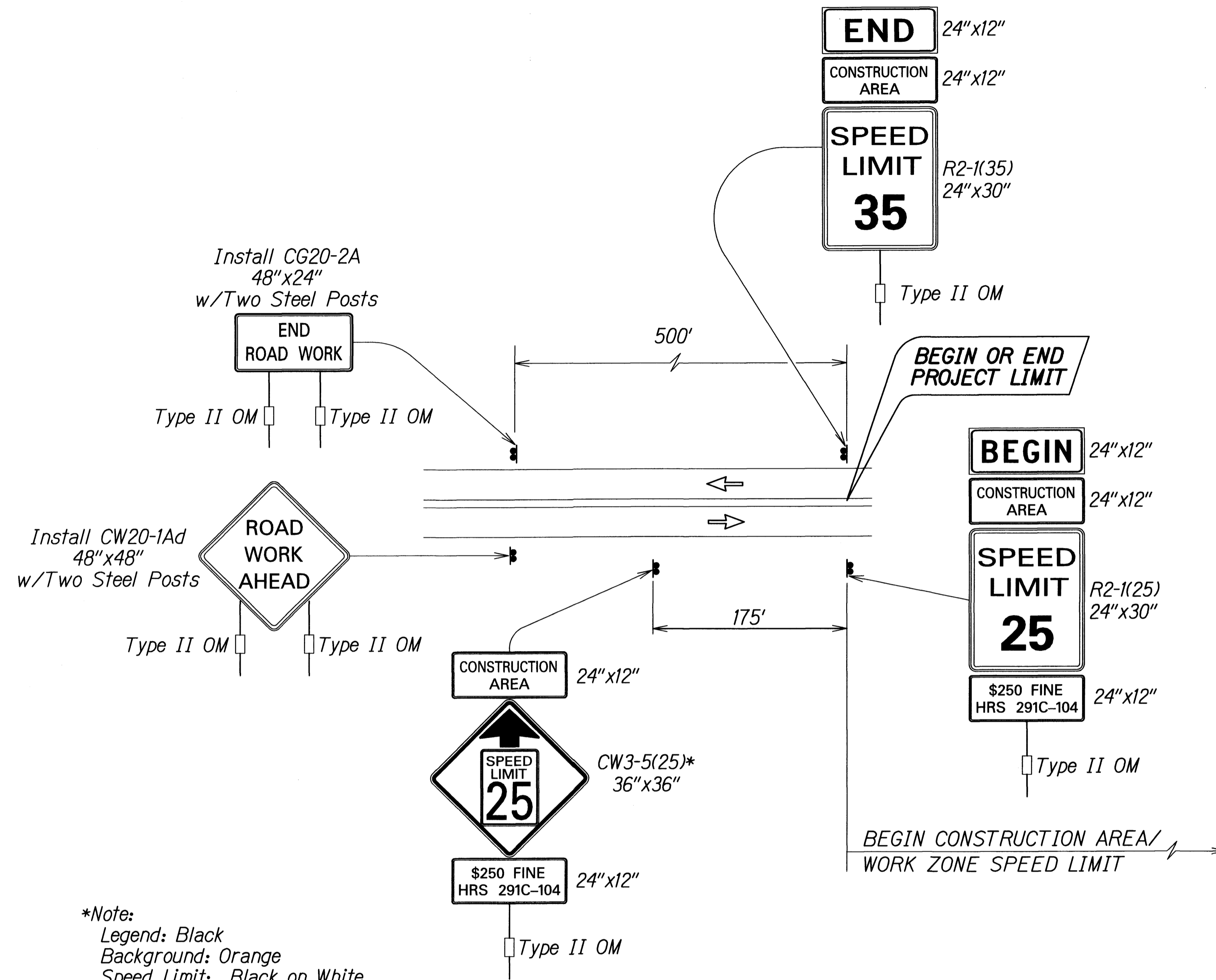
STATE OF HAWAII
DEPARTMENT OF TRANSPORTATION
HIGHWAYS DIVISION

PAVEMENT MARKING LEGEND, DETAILS & NOTES

PUUPEELUA AVENUE RESURFACING
Maunaloa Highway to Farrington Avenue and
FARRINGTON AVENUE RESURFACING
Puupeelua Avenue to Kalae Highway
Federal-Aid Project No. ARR-0480(3)

Scale: As Noted Date: February, 2009

FED. ROAD DIST. NO.	STATE	FED. AID PROJ. NO.	FISCAL YEAR	SHEET NO.	TOTAL SHEETS
HAWAII	HAW.	ARR-0480(3)	2009	24	35



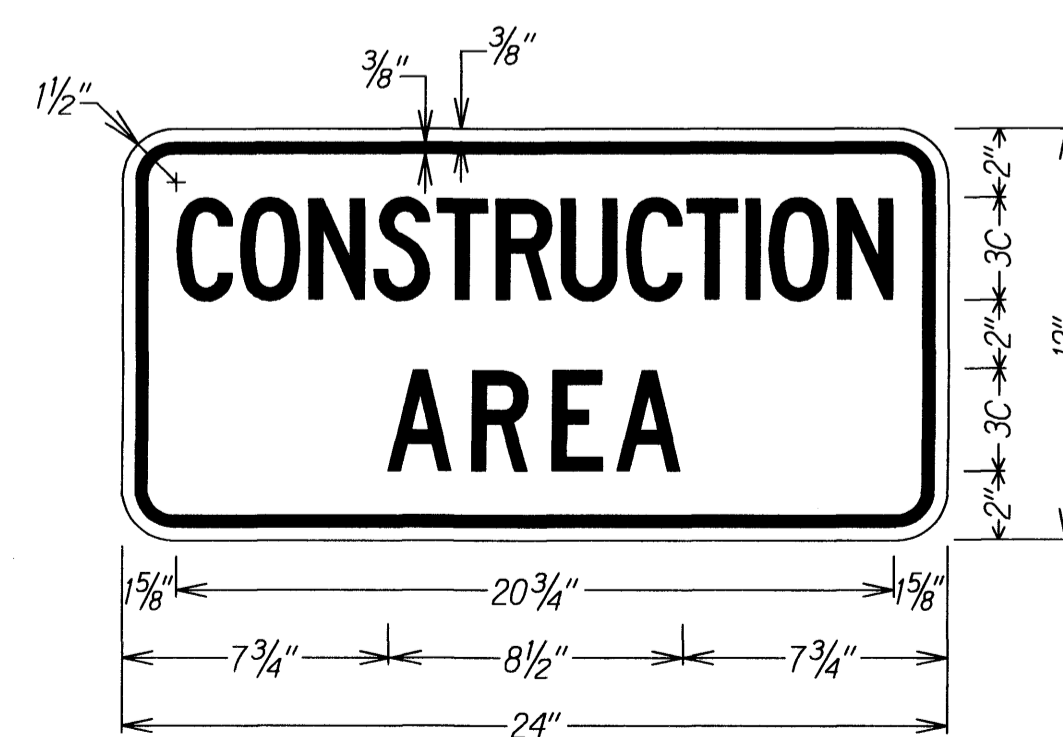
*Note:
 Legend: Black
 Background: Orange
 Speed Limit: Black on White

**TYPICAL DETAIL FOR CONSTRUCTION SIGNS
 ON TWO LANE OR MULTILANE UNDIVIDED LOW SPEED HIGHWAY**

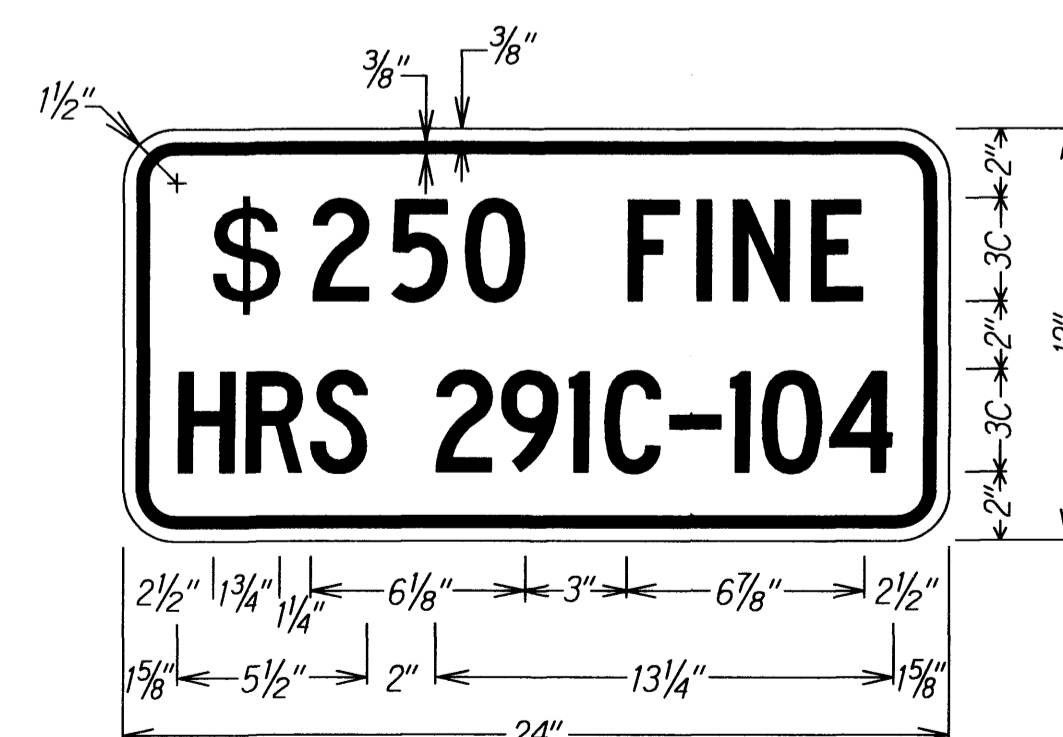
Work Zone Notes:

1. This Work Zone Sign Plan is intended for use on long-term stationary work zones/construction phases (3 days or more). All work zones or construction phases less than 3 days duration will use Traffic Control Plans shown in Section 645 of the Special Provisions.
2. All existing regulatory speed limit signs with posts within the work zone/project limits shall be removed and replaced with work zone speed limit sign assemblies (R2-1(XX) and CW3-5(XX)) with "CONSTRUCTION AREA" and "\$250 FINE HRS 291C-104" Supplemental Signs.
3. Construction sign assemblies shall be installed on both the approaching and trailing ends of each work zone as shown on this plan.
4. Each construction warning sign shall have a minimum of two (2) Type II OM. Each work zone speed limit assembly shall have a minimum of one (1) Type II OM. Installation of each Type II OM shall be considered incidental to Item No. 645.0200, Traffic Control.
5. Upon the completion of all physical work or as directed by the Engineer, all construction signs and work zone speed limit assemblies shall be removed. All speed limit signs and posts that were existing at the start of the project within the work zone/project limits shall be restored back to their original locations and configurations.
6. Placement of construction signs shall not obstruct the path of pedestrians and bicyclists.
7. The removal and restoration of existing regulatory speed limit signs with new posts along with the installation, maintenance and removal of work zone speed limit sign assemblies shall be considered incidental to Item No. 645.0200, Traffic Control.

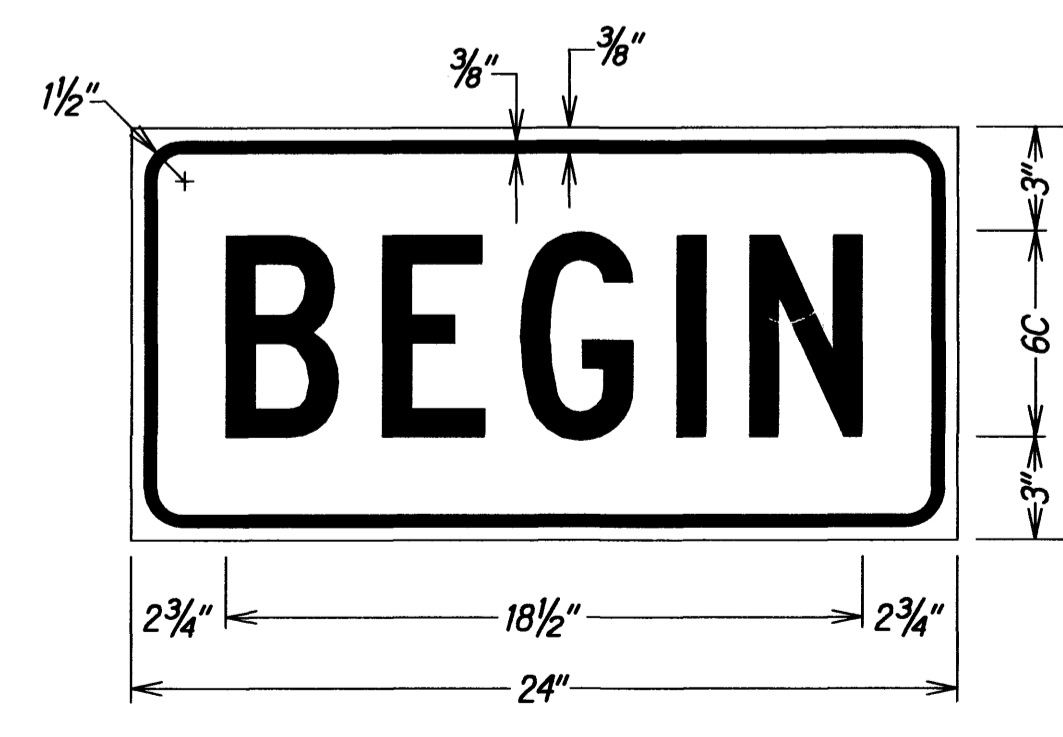
DATE
DESIGNED BY
CHECKED BY
DATE
DESIGNED BY
CHECKED BY
DATE
DESIGNED BY
CHECKED BY



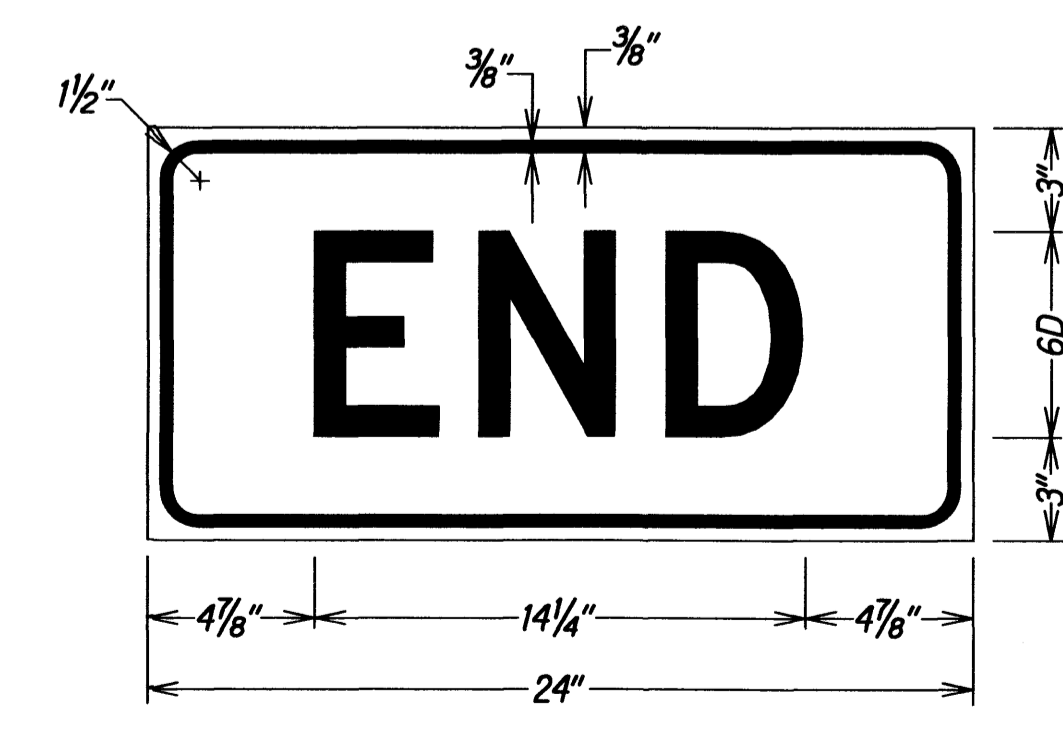
LEGEND: BLACK
 BACKGROUND: ORANGE



LEGEND: BLACK
 BACKGROUND: WHITE



LEGEND: BLACK
 BACKGROUND: ORANGE



LEGEND: BLACK
 BACKGROUND: ORANGE

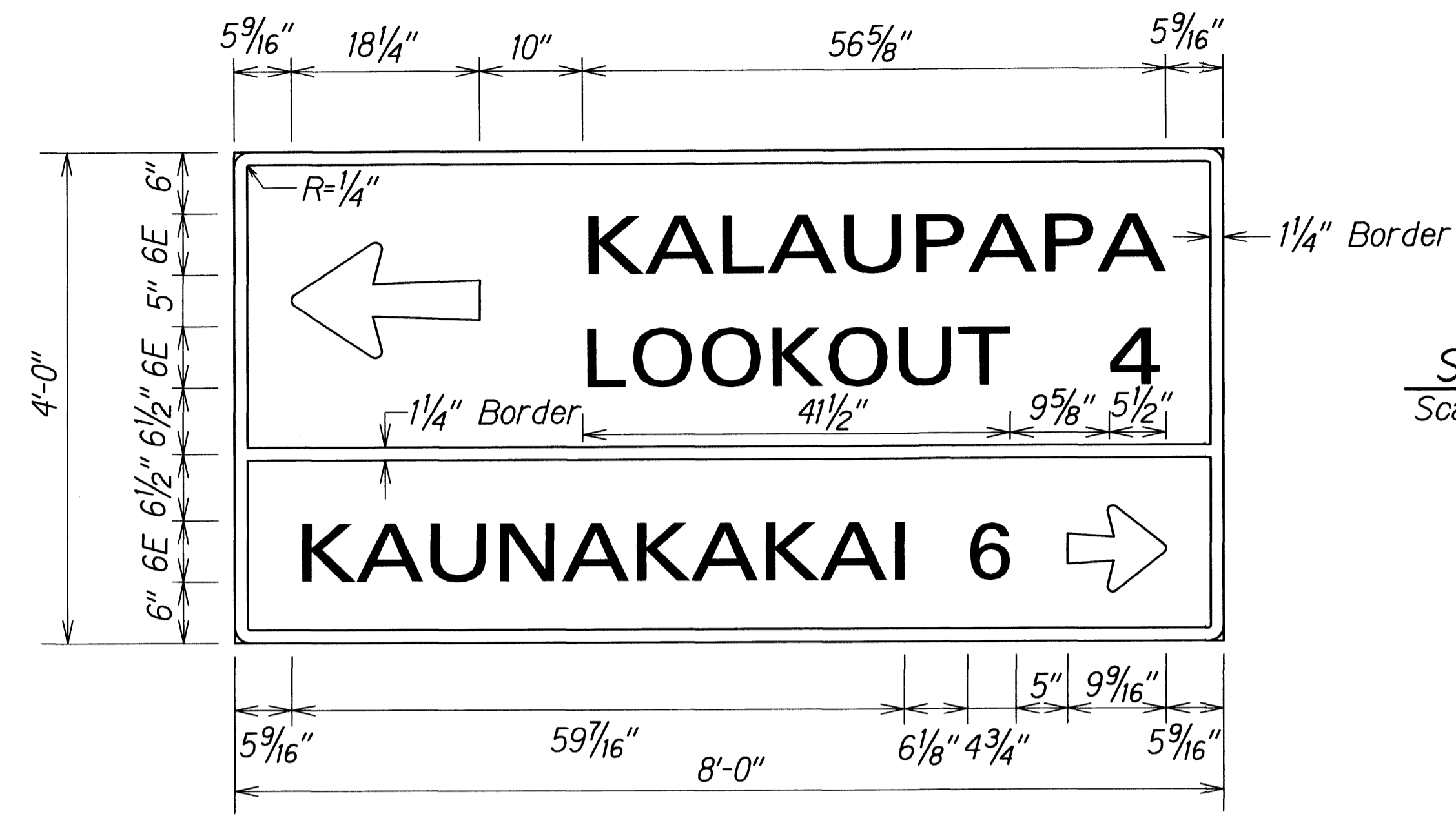
STATE OF HAWAII
 DEPARTMENT OF TRANSPORTATION
 HIGHWAYS DIVISION

**LOW SPEED UNDIVIDED HIGHWAY
 WORK ZONE SIGNING PLAN, NOTES & DETAILS**

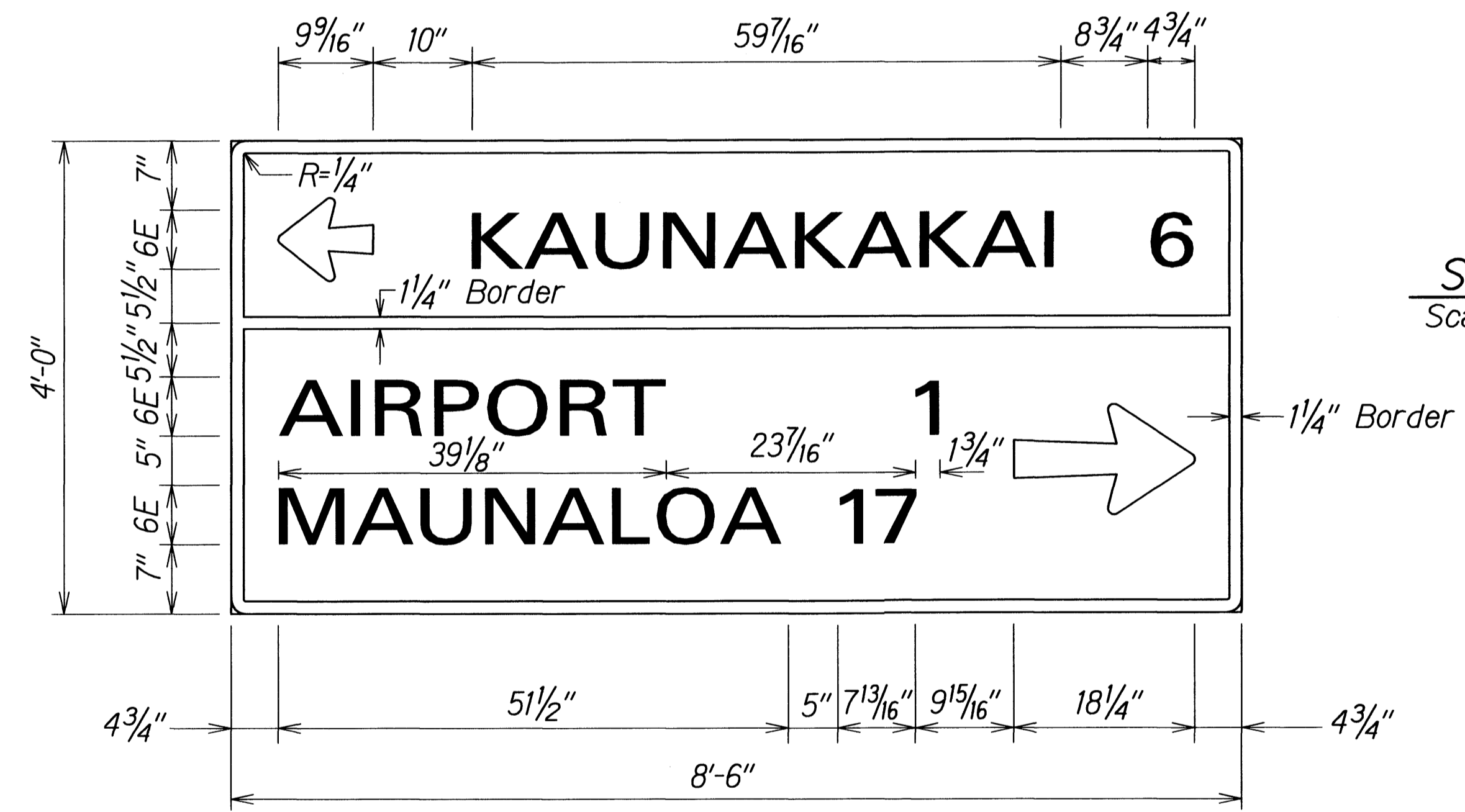
PUIPEELUA AVE. RESURFACING, Maunaloa Hwy. to Farrington Ave. &
 FARRINGTON AVE. RESURFACING, Puupeeelua Ave. to Kalae Hwy.

Federal-Aid Project No. ARR-0480(3)
 Not To Scale Date: February, 2009

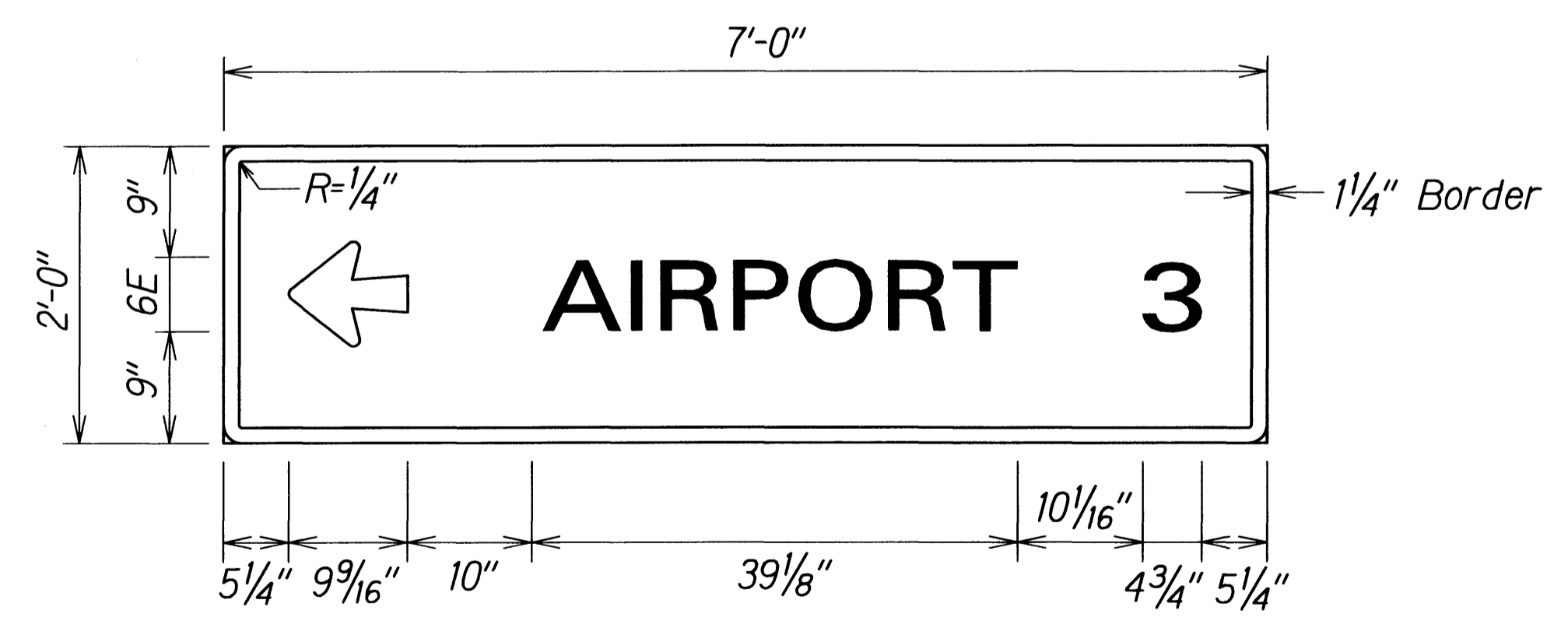
FED. ROAD DIST. NO.	STATE	FED. AID PROJ. NO.	FISCAL YEAR	SHEET NO.	TOTAL SHEETS
HAWAII	HAW.	ARR-0480(3)	2009	25	35



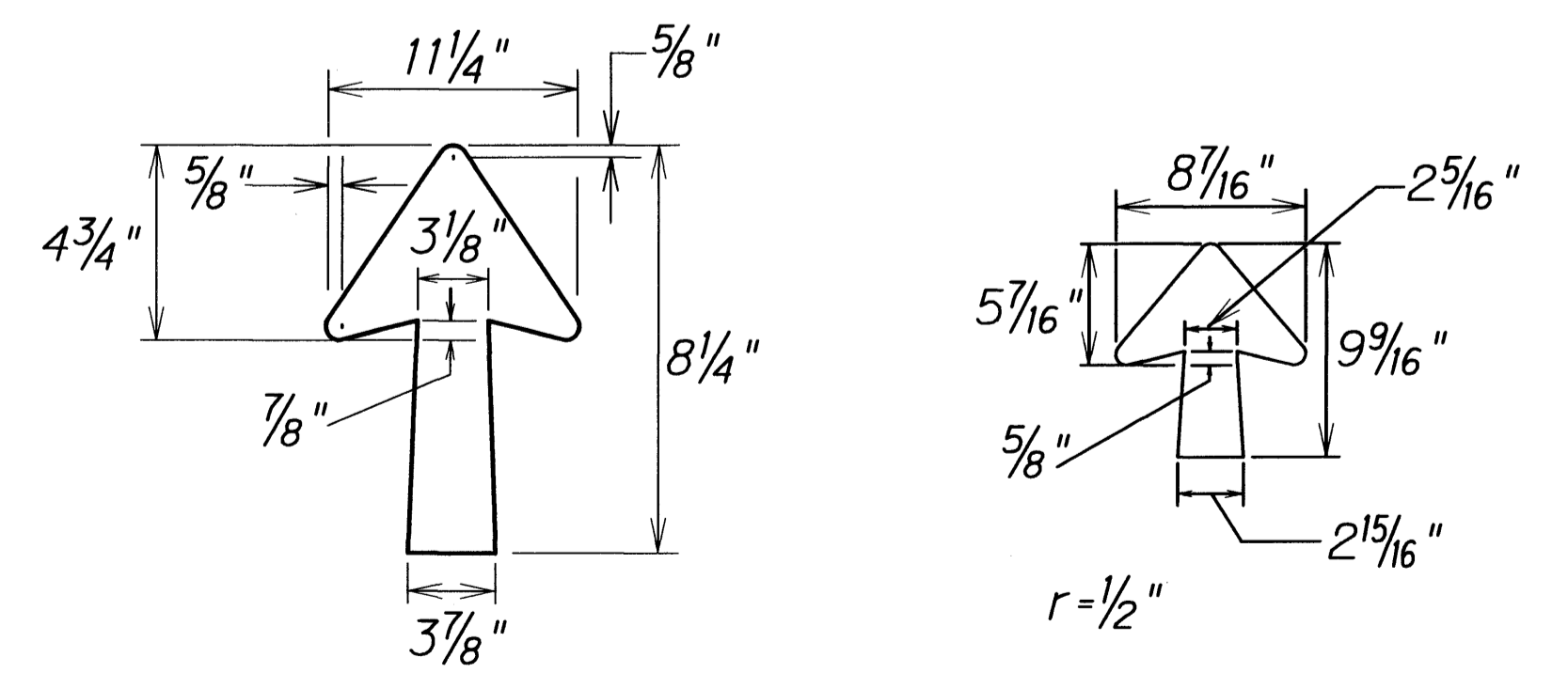
SIGN D-1
Scale: 1" = 1'-0"



SIGN D-3
Scale: 1" = 1'-0"



SIGN D-2
Scale: 1" = 1'-0"



TYPICAL ARROW DETAIL
Not to Scale

GENERAL NOTES

- The contractor shall verify the locations and dimensions of existing Signs Panels, supports and framing.
- Letter Size:
 - When letters are all uppercase, use series "E".
 - When initial uppercase letter is used in conjunction with lowercase letters, use series "E" (M) for uppercase letter.
- Interstate Route Marker Symbols shall conform to details shown on the plans and as specified in the MUTCD.
- All signs shall conform to Section 621 of the Special Provisions and the latest editions and amendments of the following FHWA publications:
 - "Manual on Uniform Traffic Control Devices for Streets and Highways" (MUTCD)
 - "Standard Highway Signs"
 - "Standard Alphabets for Highway Signs"
- Borders, messages, arrows, symbols and shield conform to details as shown on the plans and as specified in the MUTCD.
- Signs messages shall be as indicated on the plans.
- All panels shall be reflectorized in accordance with Section 712.20 of the Standard Specifications. Minimum width of panels shall be 2 feet. Abutting edges of panels shall be in only one direction if vertical abutting edges are used, no horizontal abutting edges shall be allowed and vice versa.
- Contractor shall submit all sign splicing details to the Engineer for approval. All backing for signs 4 feet by 6 feet or less shall be of one sheet.
- All signs shall be provided w/frame stiffeners in accordance with TE-03 of Standard Plans.
- Destination signs shall be installed with flanged channel posts (4.00 Lbs./Ft.), 3-post installation unless shown otherwise on the plans.

DATE	_____
SURVEY PLOTTED BY	_____
DRAWN BY	_____
DESIGNED BY	_____
CHECKED BY	_____
ORIGINAL PLAN	_____
NOTE BOOK	_____
NO. _____	_____
BY _____	_____
CHECKED BY _____	_____

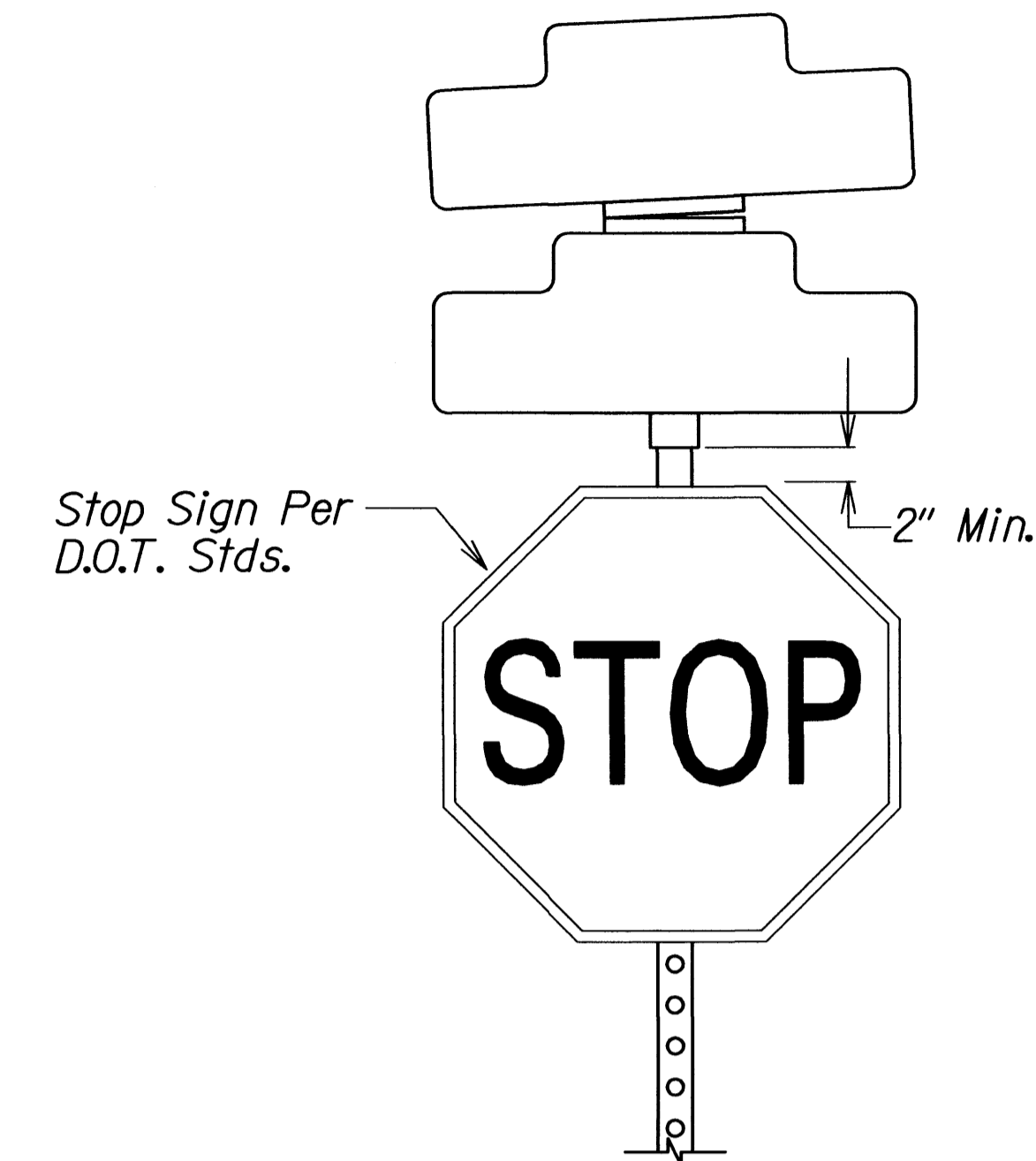
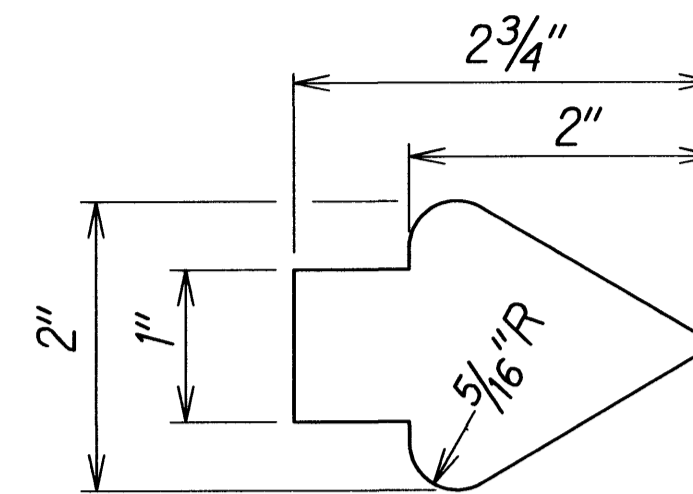
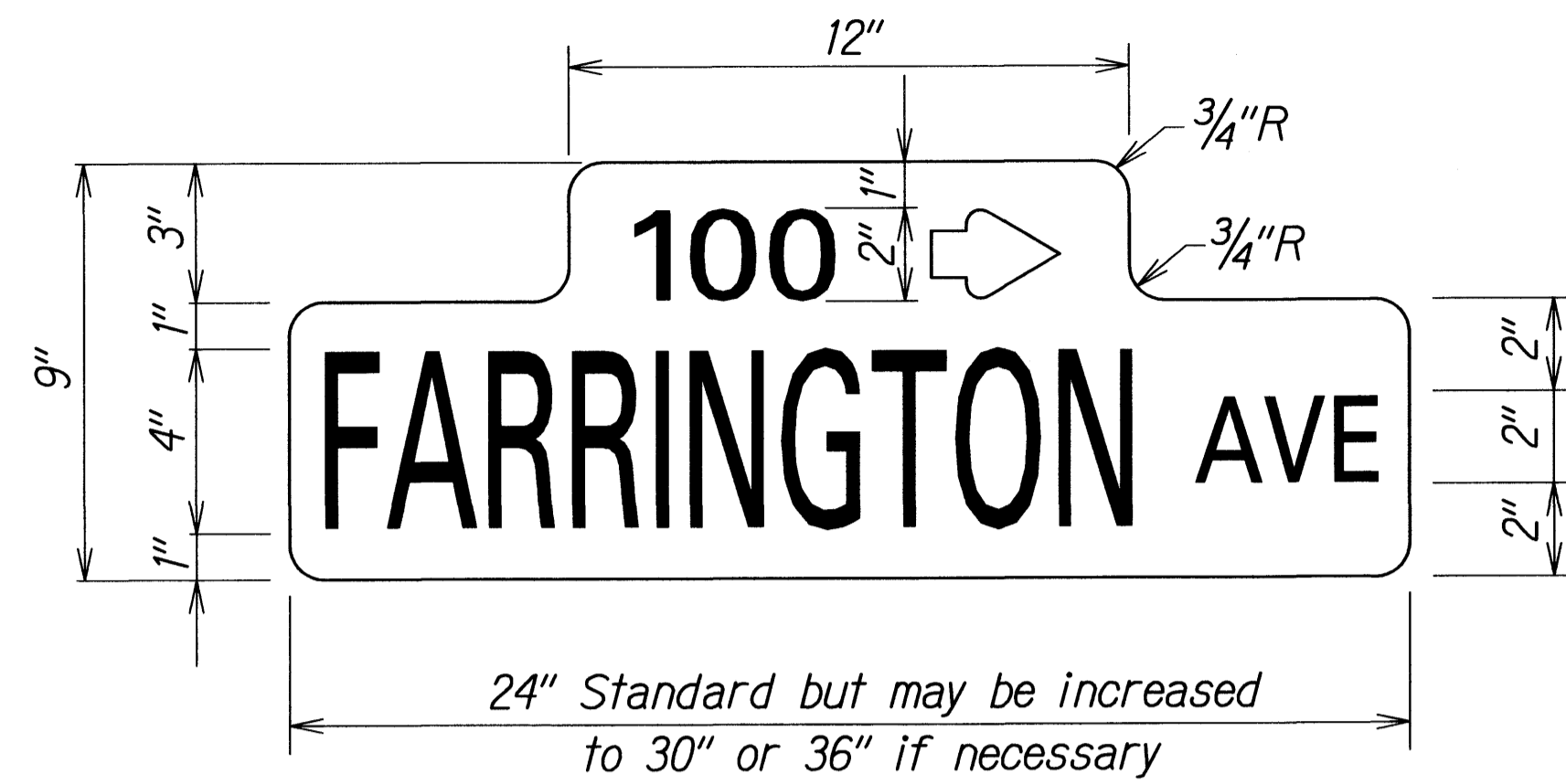
STATE OF HAWAII
DEPARTMENT OF TRANSPORTATION
HIGHWAYS DIVISION

SIGN PANEL LAYOUT & NOTES

PUUPEELUA AVENUE RESURFACING
Maunaloa Highway to Farrington Avenue and
FARRINGTON AVENUE RESURFACING
Puupeelua Avenue to Kalae Highway
Federal-Aid Project No. ARR-0480(3)

Scale: As Shown Date: February, 2009

FED. ROAD DIST. NO.	STATE	FED. AID PROJ. NO.	FISCAL YEAR	SHEET NO.	TOTAL SHEETS
HAWAII	HAW.	ARR-0480(3)	2009	26	35



NOTES:

1. Remove existing Street Name/Stop signs and posts. Replace with new Street Name/Stop signs and posts. Return all Street Name signs to the Traffic Signs and Marking Section, County's Molokai Baseyard.
2. All signs shall be high intensity reflective and shall conform with State Standard Plans TE-01 through TE-04.
3. Refer to DPW Standard Detail TE-14 for design of Standard Street Name sign with Blocking Numbering.
4. Refer to DPW Standard Detail TE-11 for installation of Street Name on Stop sign.

STANDARD STREET NAME SIGN
Not To Scale

NOTES:

1. The exact sign location will be designated by the Engineer.
2. 2" Letters shall be used for St., Dr., Hwy., Rd., Etc.
3. Street Numbering to be designated by the Department Of Public Works.

STREET NAME SIGN DETAIL
Not To Scale

ORIGINAL PLAN	SURVEY PLOTTED BY	DATE
NOTE BOOK	DRAWN BY	
NO. 1000	DESIGNED BY	
	CHECKED BY	

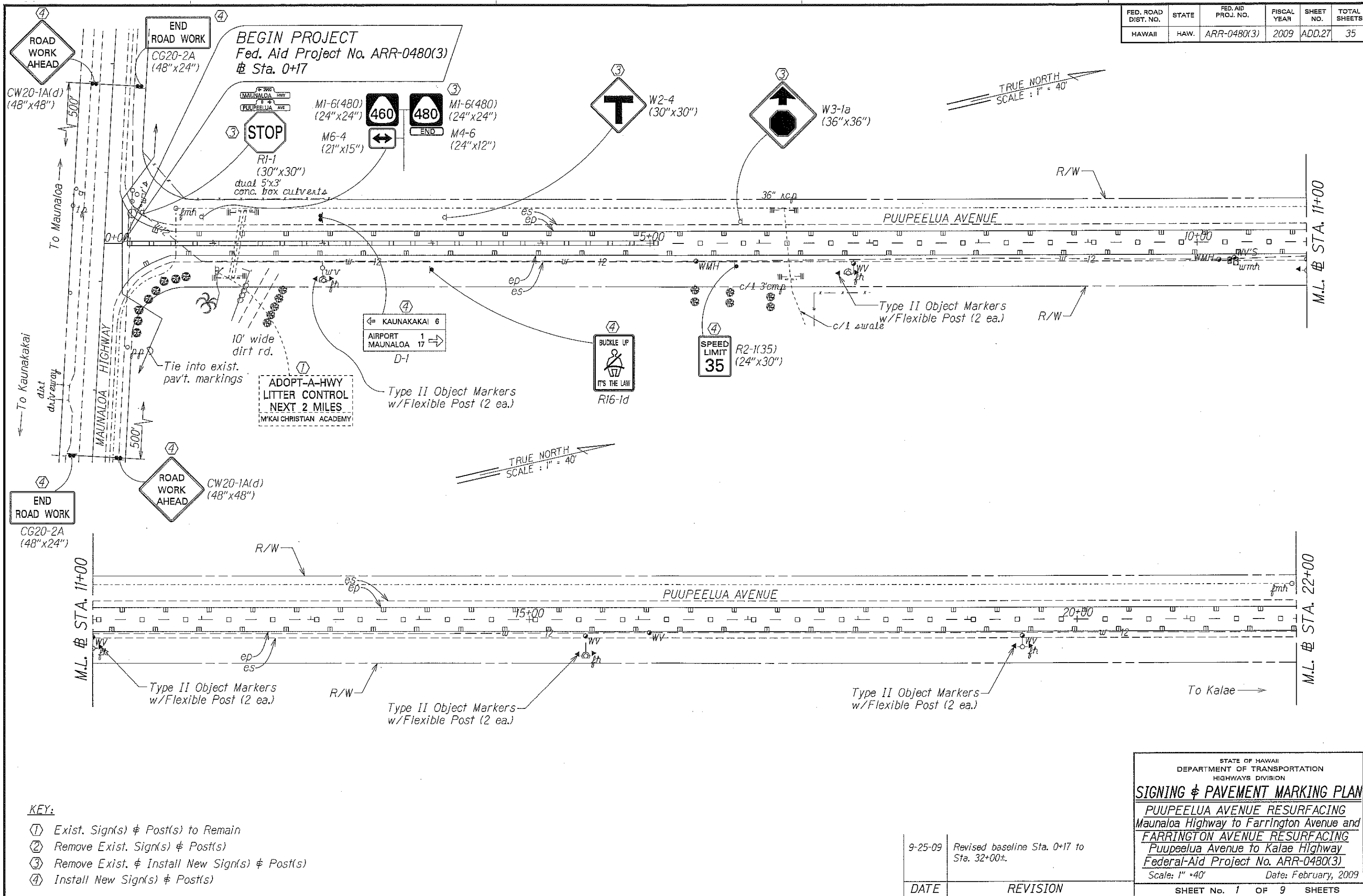
STATE OF HAWAII
DEPARTMENT OF TRANSPORTATION
HIGHWAYS DIVISION

SIGN PANEL LAYOUT & NOTES

PUUPEELUA AVENUE RESURFACING
Maunaloa Highway to Farrington Avenue and
FARRINGTON AVENUE RESURFACING
Puupeelua Avenue to Kalae Highway
Federal-Aid Project No. ARR-0480(3)

Scale: As Shown Date: February, 2009

FED. ROAD DIST. NO.	STATE	FED. AID PROJ. NO.	FISCAL YEAR	SHEET NO.	TOTAL SHEETS
HAWAII	HAW.	ARR-0480(3)	2009	ADD.27	35



DATE	
SURVEY PLOTTED BY	
DRAWN BY	
TRACED BY	
DESIGNED BY	
CHECKED BY	
ORIGINAL PLAN	
NOTE BOOK	
NO. X.dgn	

- KEY:**
- ① Exist. Sign(s) & Post(s) to Remain
 - ② Remove Exist. Sign(s) & Post(s)
 - ③ Remove Exist. & Install New Sign(s) & Post(s)
 - ④ Install New Sign(s) & Post(s)

DATE	REVISION
9-25-09	Revised baseline Sta. 0+17 to Sta. 32+00±.

STATE OF HAWAII
DEPARTMENT OF TRANSPORTATION
HIGHWAYS DIVISION

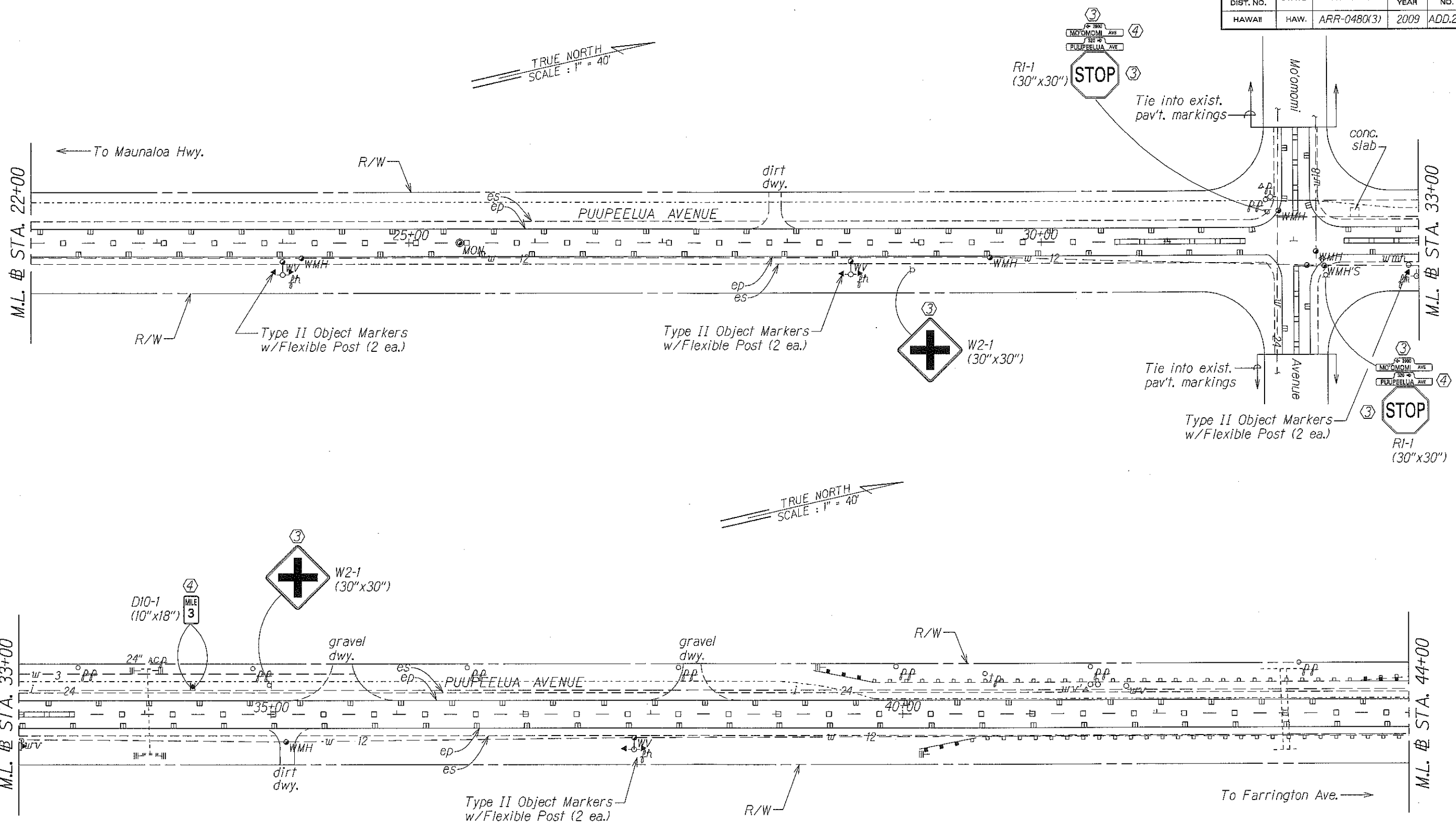
SIGNING & PAVEMENT MARKING PLAN

PUUPEELUA AVENUE RESURFACING
Maunaloa Highway to Farrington Avenue and
FARRINGTON AVENUE RESURFACING
Puupeeelua Avenue to Kalae Highway
Federal-Aid Project No. ARR-0480(3)

Scale: 1" = 40' Date: February, 2009

SHEET No. 1 OF 9 SHEETS

FED. ROAD DIST. NO.	STATE	FED. AID PROJ. NO.	FISCAL YEAR	SHEET NO.	TOTAL SHEETS
HAWAII	HAW.	ARR-0480(3)	2009	ADD.28	35



DATE	
SURVEY PLOTTED BY	
DRAWN BY	
TRACED BY	
DESIGNED BY	
QUANTITIES BY	
CHECKED BY	

- KEY:**
- ① Exist. Sign(s) & Post(s) to Remain
 - ② Remove Exist. Sign(s) & Post(s)
 - ③ Remove Exist. & Install New Sign(s) & Post(s)
 - ④ Install New Sign(s) & Post(s)

DATE	REVISION
9-25-09	Revised baseline Sta. 0+17 to Sta. 32+00±.

STATE OF HAWAII
DEPARTMENT OF TRANSPORTATION
HIGHWAYS DIVISION

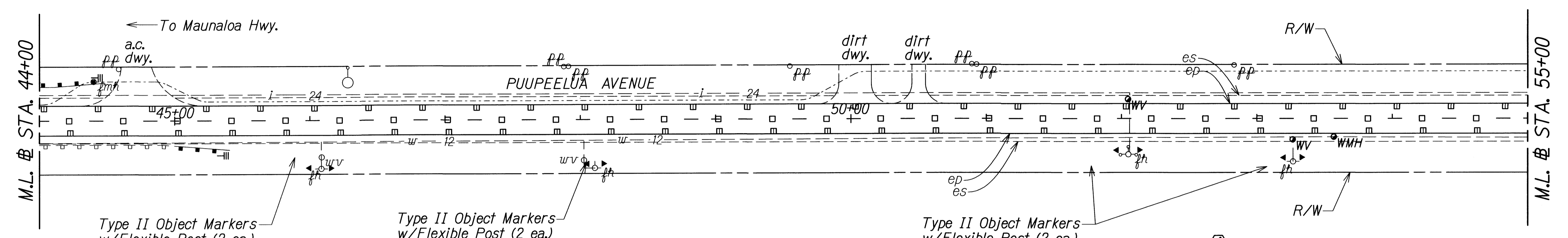
SIGNING & PAVEMENT MARKING PLAN

PUUPEELUA AVENUE RESURFACING
Maunaloa Highway to Farrington Avenue and
FARRINGTON AVENUE RESURFACING
Puupeeelua Avenue to Kalae Highway
Federal-Aid Project No. ARR-0480(3)
Scale: 1" = 40' Date: February, 2009

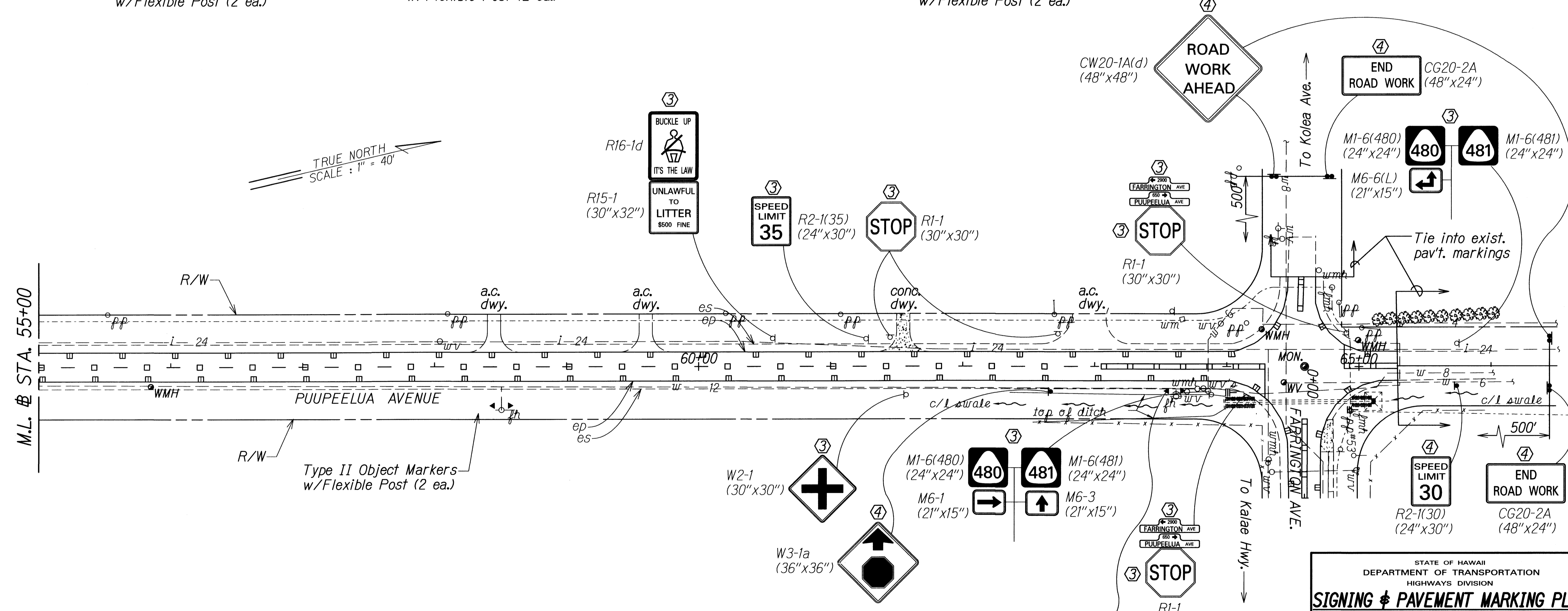
SHEET No. 2 OF 9 SHEETS

FED. ROAD DIST. NO.	STATE	FED. AID PROJ. NO.	FISCAL YEAR	SHEET NO.	TOTAL SHEETS
HAWAII	HAW.	ARR-0480(3)	2009	29	35

TRUE NORTH
SCALE: 1" = 40'



TRUE NORTH
SCALE: 1" = 40'



SURVEY PLOTTED BY	DATE
DRAWN BY	
TRACED BY	
NOTE BOOK	
DESIGNED BY	
QUANTIFIED BY	
CHECKED BY	
No.	

- KEY:**
- ① Exist. Sign(s) & Post(s) to Remain
 - ② Remove Exist. Sign(s) & Post(s)
 - ③ Remove Exist. & Install New Sign(s) & Post(s)
 - ④ Install New Sign(s) & Post(s)

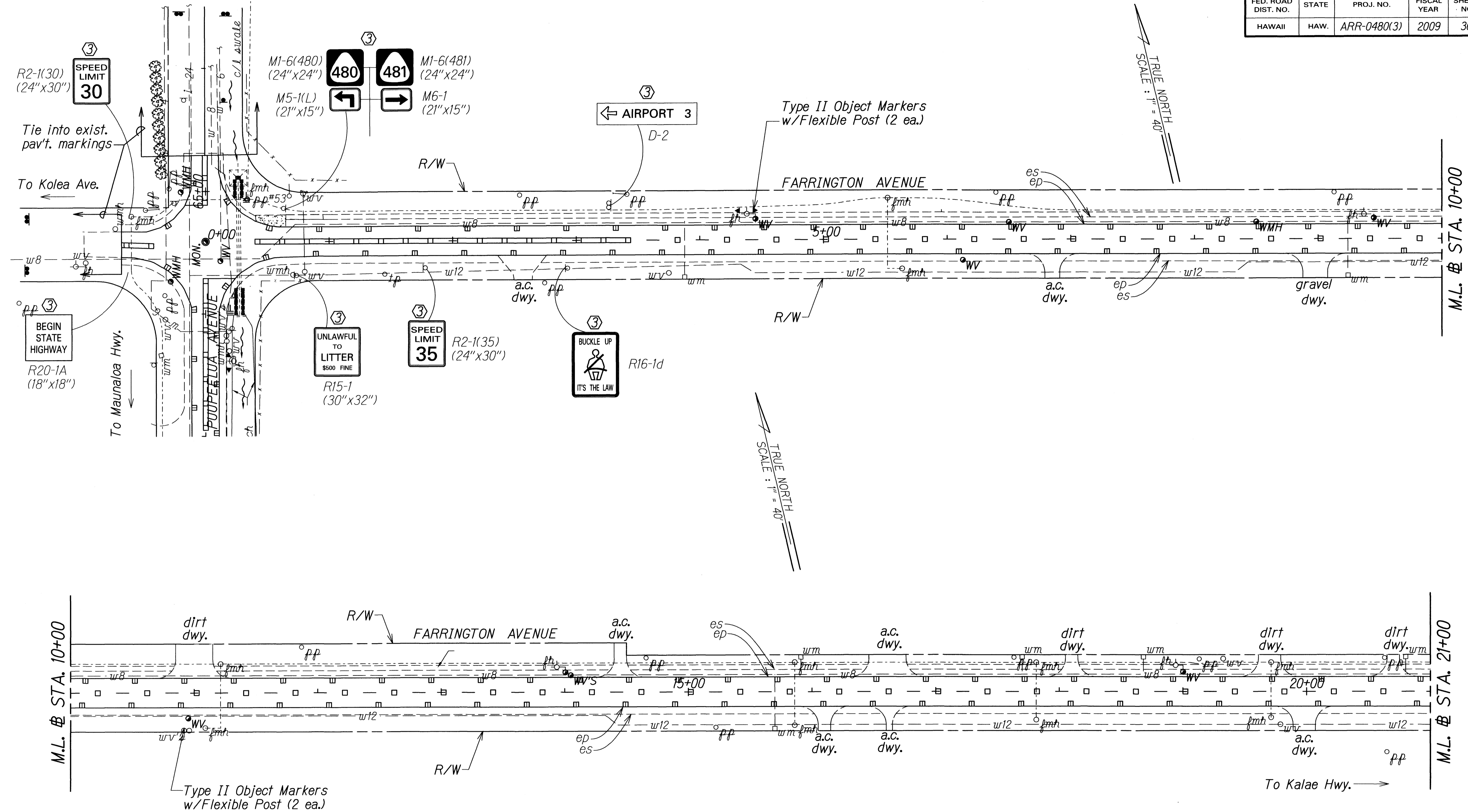
STATE OF HAWAII
DEPARTMENT OF TRANSPORTATION
HIGHWAYS DIVISION

SIGNING & PAVEMENT MARKING PLAN

PUUPEELUA AVENUE RESURFACING
Maunaloa Highway to Farrington Avenue and
FARRINGTON AVENUE RESURFACING
Puupeeelua Avenue to Kalaee Highway
Federal-Aid Project No. ARR-0480(3)

Scale: 1" = 40' Date: February, 2009

FED. ROAD DIST. NO.	STATE	FED. AID PROJ. NO.	FISCAL YEAR	SHEET NO.	TOTAL SHEETS
HAWAII	HAW.	ARR-0480(3)	2009	30	35



DESIGNED BY	DATE
TRACED BY	
DESIGNED BY	
QUANTITIES BY	
CHECKED BY	
DATE	
NOTE BOOK	
No.	

- KEY:**
- ① Exist. Sign(s) & Post(s) to Remain
 - ② Remove Exist. Sign(s) & Post(s)
 - ③ Remove Exist. & Install New Sign(s) & Post(s)
 - ④ Install New Sign(s) & Post(s)

STATE OF HAWAII
DEPARTMENT OF TRANSPORTATION
HIGHWAYS DIVISION

SIGNING & PAVEMENT MARKING PLAN

**PUUPEELUA AVENUE RESURFACING
Maunaloa Highway to Farrington Avenue and
FARRINGTON AVENUE RESURFACING
Puupeelua Avenue to Kalae Highway**

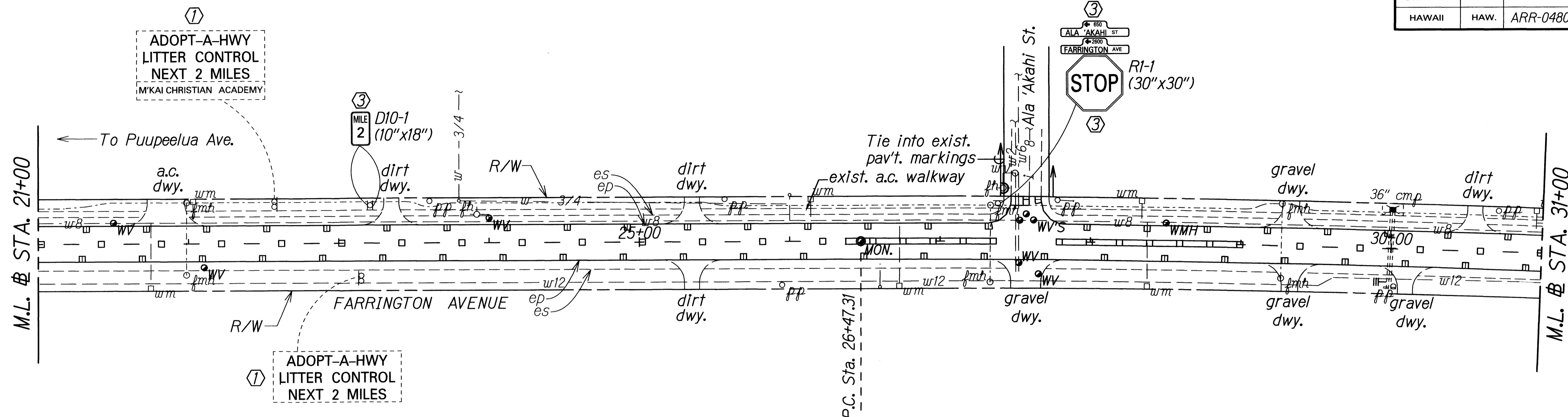
Federal-Aid Project No. ARR-0480(3)

Scale: 1" = 40' Date: February, 2009

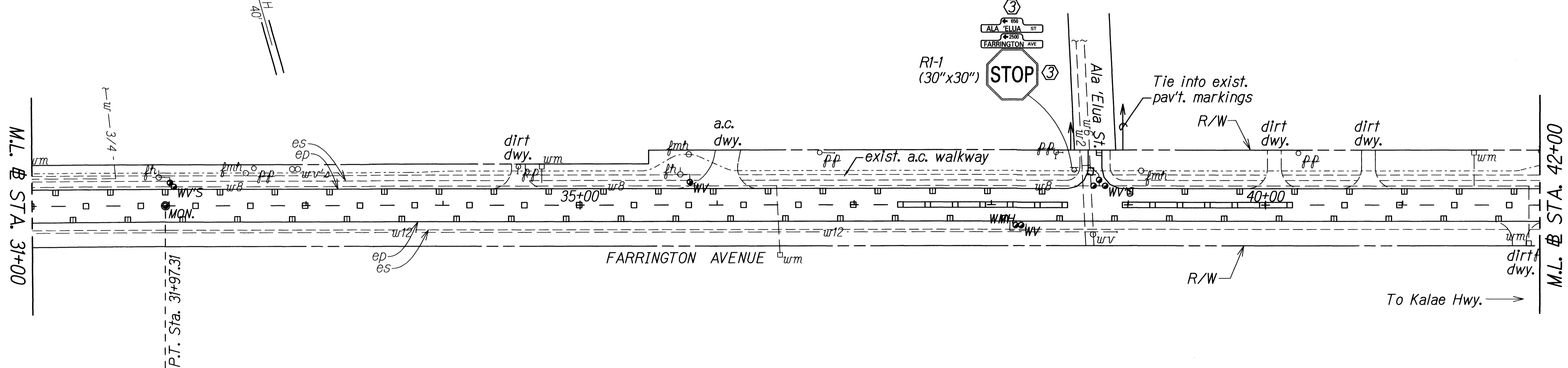
SHEET No. 4 OF 9 SHEETS

FED. ROAD DIST. NO.	STATE	FED. AID PROJ. NO.	FISCAL YEAR	SHEET NO.	TOTAL SHEETS
HAWAII	HAW.	ARR-0480(3)	2009	31	35

TRUE NORTH
SCALE: 1" = 40'



TRUE NORTH
SCALE: 1" = 40'



DESIGNED BY	DATE
DRAWN BY	
CHECKED BY	
IN CHARGE	

- KEY:**
- ① Exist. Sign(s) & Post(s) to Remain
 - ② Remove Exist. Sign(s) & Post(s)
 - ③ Remove Exist. & Install New Sign(s) & Post(s)
 - ④ Install New Sign(s) & Post(s)

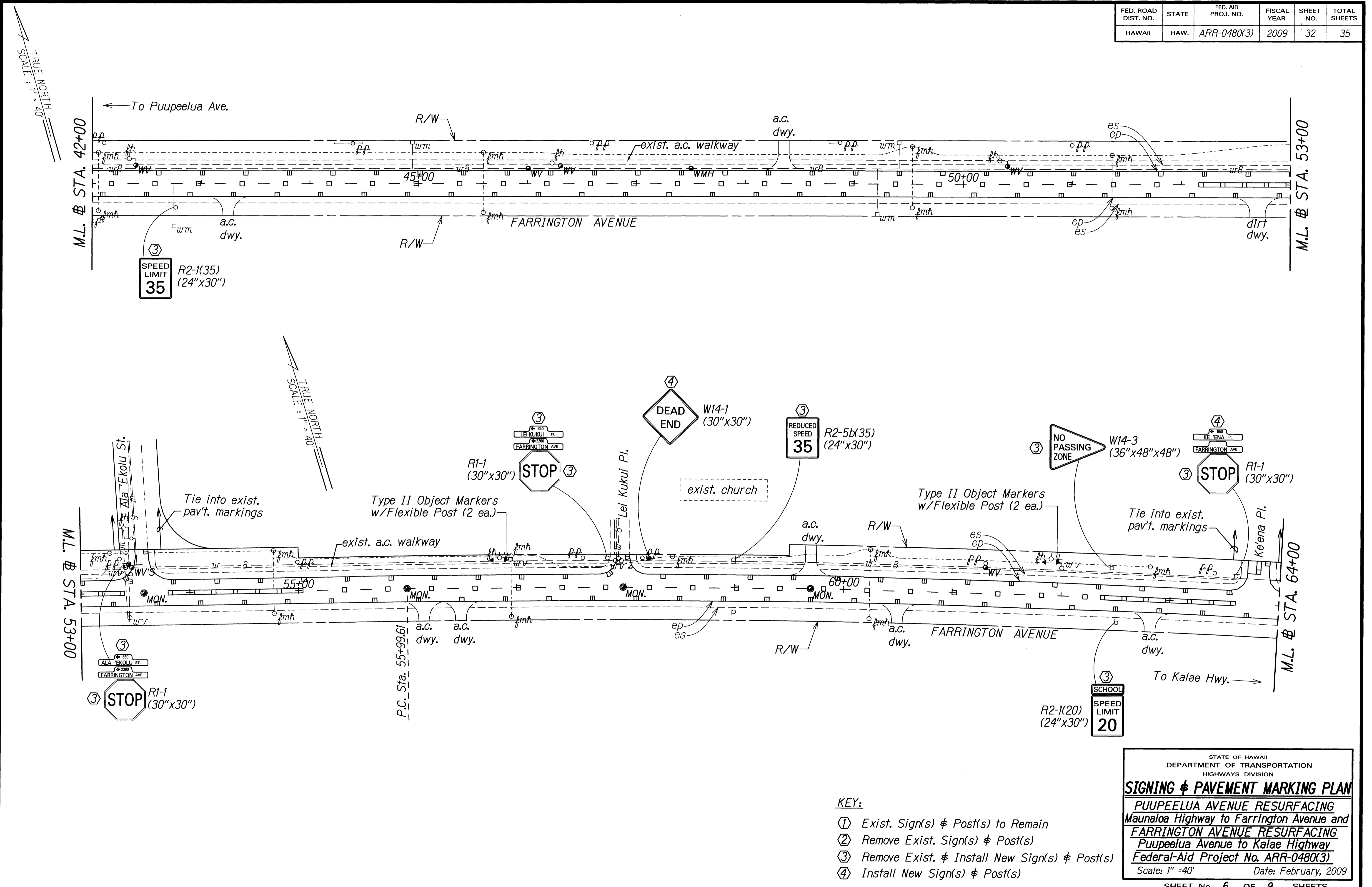
STATE OF HAWAII
DEPARTMENT OF TRANSPORTATION
HIGHWAYS DIVISION

SIGNING & PAVEMENT MARKING PLAN

PUUPEELUA AVENUE RESURFACING
Maunaloa Highway to Farrington Avenue and
FARRINGTON AVENUE RESURFACING
Puupeelua Avenue to Kalae Highway
Federal-Aid Project No. ARR-0480(3)

Scale: 1" = 40' Date: February, 2009

FED. ROAD DIST. NO.	STATE	FED. AID PROJ. NO.	FISCAL YEAR	SHEET NO.	TOTAL SHEETS
HAWAII	HAW.	ARR-0480(3)	2009	32	35



DATE	_____
DESIGNED BY	_____
CHECKED BY	_____
APPROVED BY	_____
DATE	_____
DESIGNED BY	_____
CHECKED BY	_____
APPROVED BY	_____

- KEY:**
- ① Exist. Sign(s) & Post(s) to Remain
 - ② Remove Exist. Sign(s) & Post(s)
 - ③ Remove Exist. & Install New Sign(s) & Post(s)
 - ④ Install New Sign(s) & Post(s)

STATE OF HAWAII
DEPARTMENT OF TRANSPORTATION
HIGHWAYS DIVISION

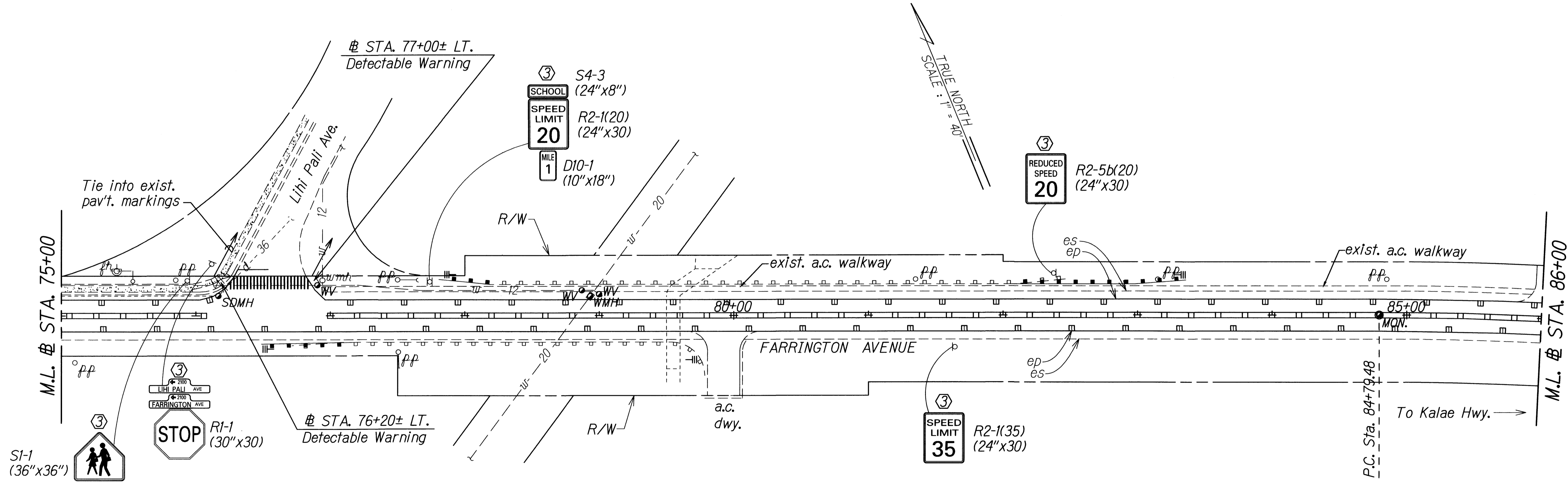
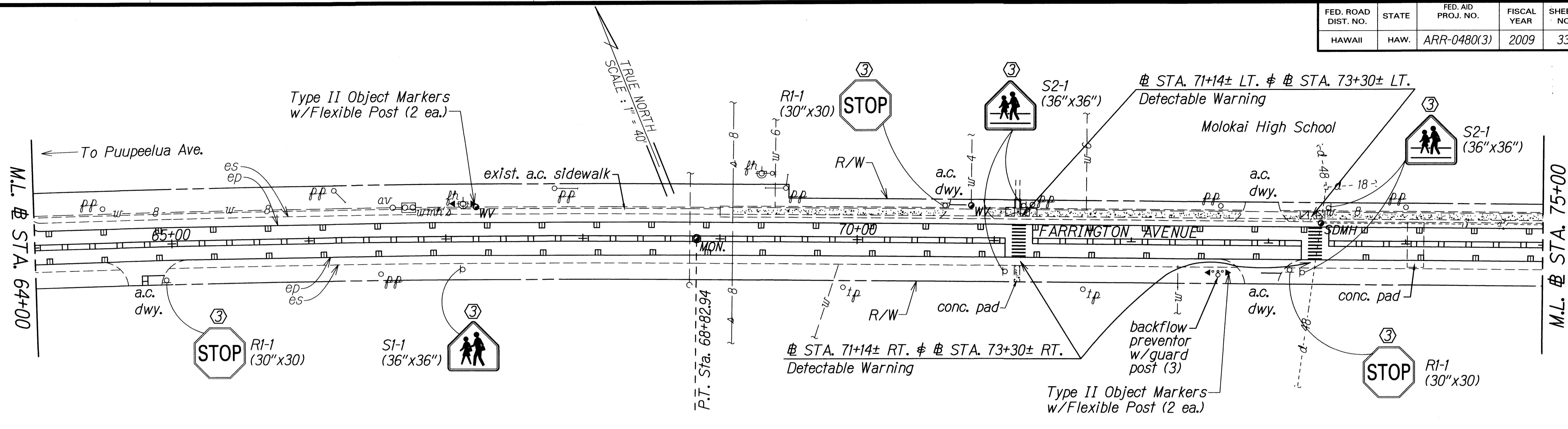
SIGNING & PAVEMENT MARKING PLAN

**PUUPEELUA AVENUE RESURFACING
Maunaloa Highway to Farrington Avenue and
FARRINGTON AVENUE RESURFACING
Puupeeelua Avenue to Kalae Highway
Federal-Aid Project No. ARR-0480(3)**

Scale: 1" = 40' Date: February, 2009

SHEET No. 6 OF 9 SHEETS

FED. ROAD DIST. NO.	STATE	FED. AID PROJ. NO.	FISCAL YEAR	SHEET NO.	TOTAL SHEETS
HAWAII	HAW.	ARR-0480(3)	2009	33	35



SURVEY PLOTTED BY	DATE
DRAWN BY	
NOTE BOOK	
QUANTITIES BY	
CHECKED BY	
NO.	

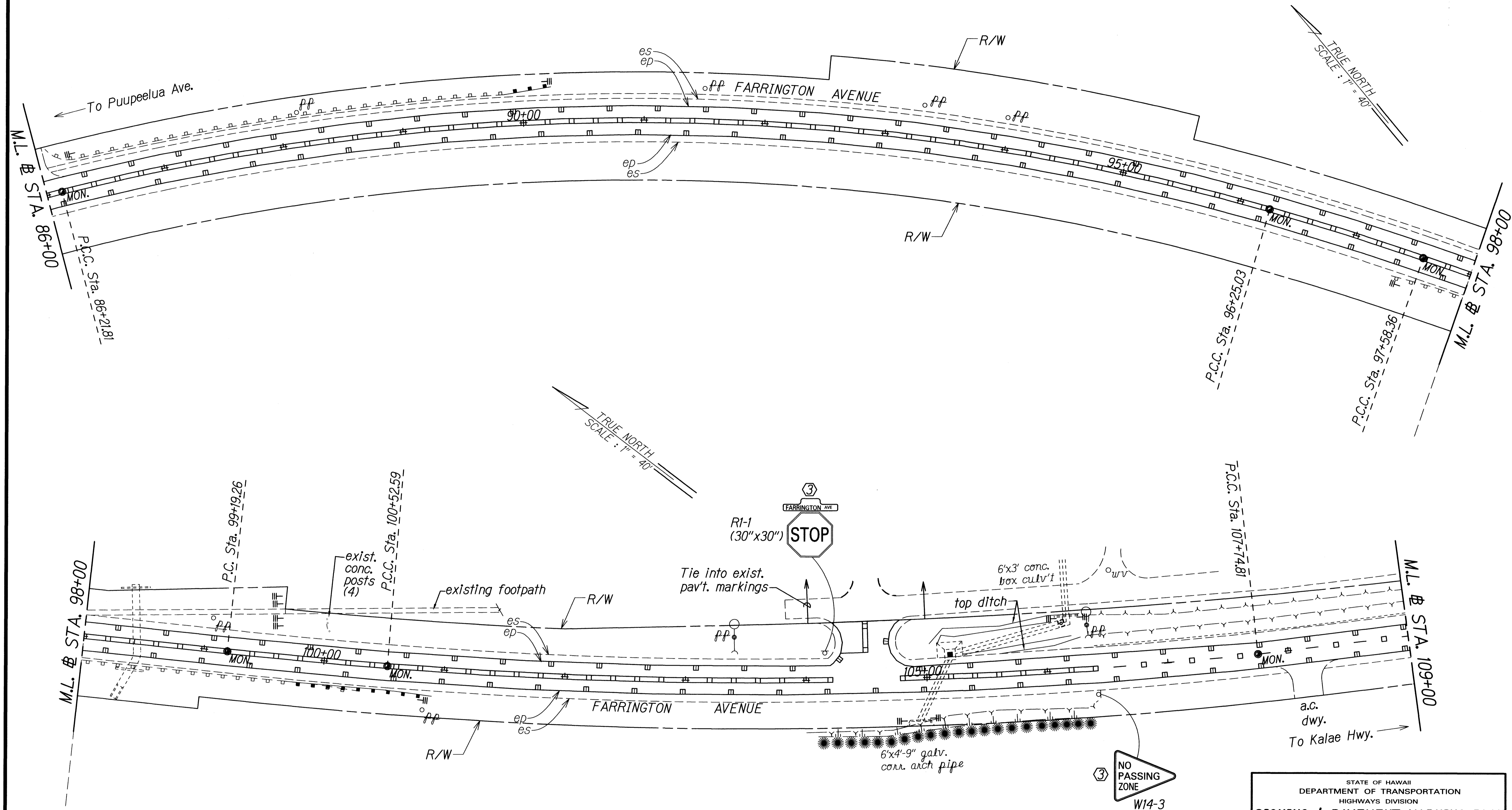
- KEY:**
- ① Exist. Sign(s) & Post(s) to Remain
 - ② Remove Exist. Sign(s) & Post(s)
 - ③ Remove Exist. & Install New Sign(s) & Post(s)
 - ④ Install New Sign(s) & Post(s)

STATE OF HAWAII
DEPARTMENT OF TRANSPORTATION
HIGHWAYS DIVISION

SIGNING & PAVEMENT MARKING PLAN

PUUPEELUA AVENUE RESURFACING
Maunaloa Highway to Farrington Avenue and
FARRINGTON AVENUE RESURFACING
Puupeeelua Avenue to Kalae Highway
Federal-Aid Project No. ARR-0480(3)
Scale: 1" = 40' Date: February, 2009

FED. ROAD DIST. NO.	STATE	FED. AID PROJ. NO.	FISCAL YEAR	SHEET NO.	TOTAL SHEETS
HAWAII	HAW.	ARR-0480(3)	2009	34	35



ORIGINAL PLAN	DATE
SURVEY PLOTTED BY	
DRAWN BY	
TRACED BY	
NOTE BOOK	
QUANTITIES BY	
CHECKED BY	
No. 1020	

- KEY:**
- ① Exist. Sign(s) & Post(s) to Remain
 - ② Remove Exist. Sign(s) & Post(s)
 - ③ Remove Exist. & Install New Sign(s) & Post(s)
 - ④ Install New Sign(s) & Post(s)

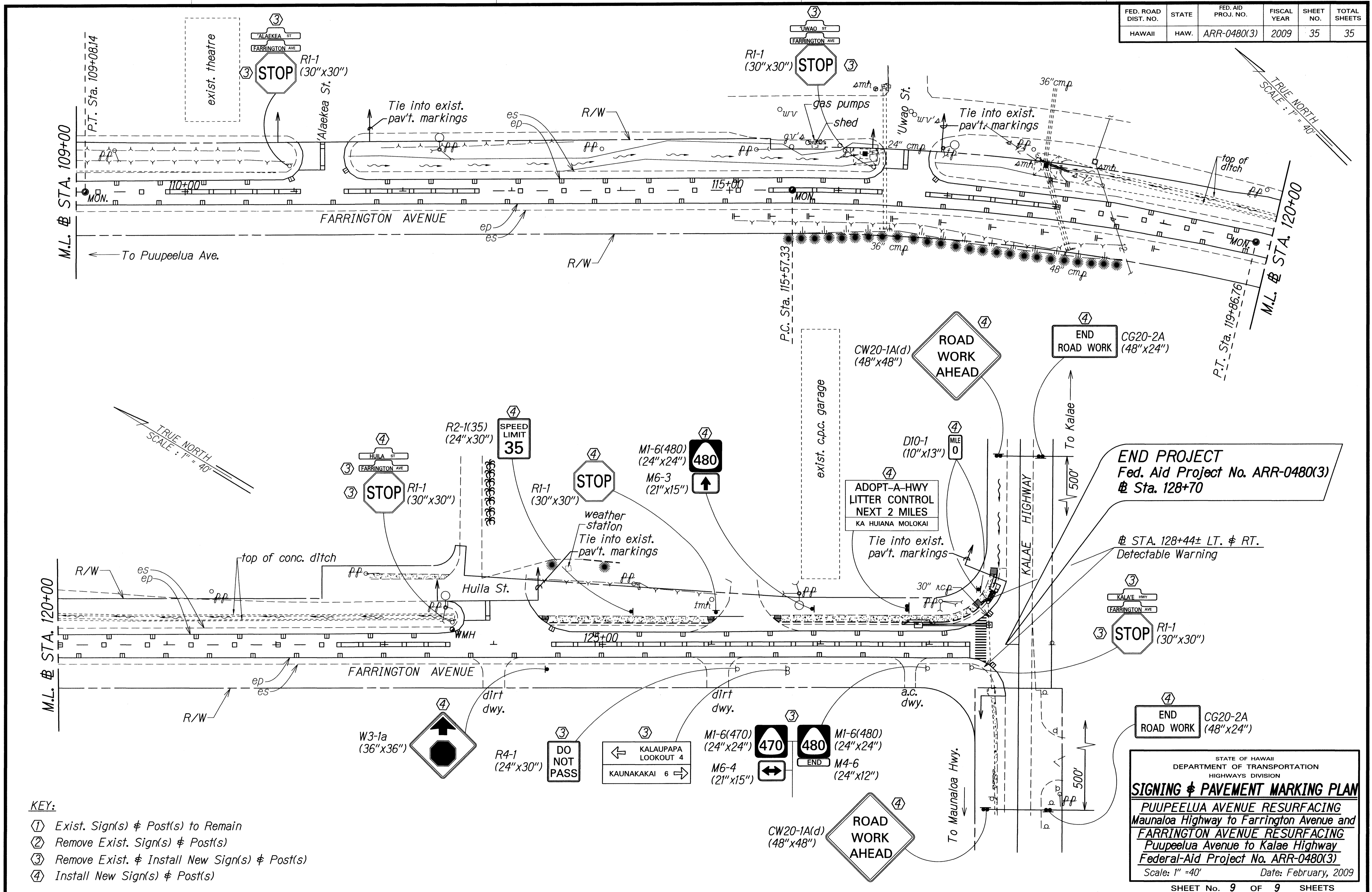
STATE OF HAWAII
DEPARTMENT OF TRANSPORTATION
HIGHWAYS DIVISION

SIGNING & PAVEMENT MARKING PLAN

PUUPEELUA AVENUE RESURFACING
Maunaloa Highway to Farrington Avenue and
FARRINGTON AVENUE RESURFACING
Puupeeelua Avenue to Kalae Highway
Federal-Aid Project No. ARR-0480(3)
Scale: 1" = 40' Date: February, 2009

SHEET No. 8 OF 9 SHEETS

FED. ROAD DIST. NO.	STATE	FED. AID PROJ. NO.	FISCAL YEAR	SHEET NO.	TOTAL SHEETS
HAWAII	HAW.	ARR-0480(3)	2009	35	35



- KEY:**
- ① Exist. Sign(s) & Post(s) to Remain
 - ② Remove Exist. Sign(s) & Post(s)
 - ③ Remove Exist. & Install New Sign(s) & Post(s)
 - ④ Install New Sign(s) & Post(s)

SURVEY PLOTTED BY	DATE
DRAWN BY	
DESIGNED BY	
CHECKED BY	
NOTE BOOK	
NO.	

STATE OF HAWAII
DEPARTMENT OF TRANSPORTATION
HIGHWAYS DIVISION

SIGNING & PAVEMENT MARKING PLAN

PUUPEELUA AVENUE RESURFACING
Maunaloa Highway to Farrington Avenue and
FARRINGTON AVENUE RESURFACING
Puupeelua Avenue to Kalae Highway
Federal-Aid Project No. ARR-0480(3)

Scale: 1" = 40' Date: February, 2009