

FED. ROAD DIST. NO.	STATE	FED. AID PROJ. NO.	FISCAL YEAR	SHEET NO.	TOTAL SHEETS
HAWAII	HAW.	ARR-0460(14)	2009	15	26

**LEGEND**

- 4 each Type A Raised Pavement Markers  
Type C Raised Pavement Markers @ 40'-0" o.c.
- 4 each Type J Raised Pavement Markers  
Type D Raised Pavement Markers @ 40'-0" o.c.
- 8" White Stripe with Type C Raised Pavement Markers @ 20'-0" o.c. (Tape, Type I or Thermoplastic Extrusion)
- 4" Double Solid Yellow with Type D Raised Pavement Markers @ 20'-0" o.c. (Tape, Type I or Thermoplastic Extrusion))
- 4" Double Solid Yellow Stripes with Type H Raised Pavement Markers @ 20'-0" o.c. (Tape, Type II or Thermoplastic Extrusion))
- 4" Yellow Edge Stripe with Type H Raised Pavement Markers @ 40'-0" o.c. (Tape, Type II or Thermoplastic Extrusion))
- 4" Double Solid White Stripes with Type C Raised Pavement Markers @ 20'-0" o.c. (Tape, Type I or Thermoplastic Extrusion)
- Lane Change Restriction Marking  
4 each Type A Raised Pavement Markers  
Type C Raised Pavement Markers @ 20'-0" o.c.  
4" White Stripe (Tape, Type I or Thermoplastic Extrusion)
- 4" or 8" White Edge Stripe with Type C Raised Pavement Markers @ 40'-0" o.c. (Tape, Type II or Thermoplastic Extrusion)
- 4" White Guide Lines (Tape, Type III or Thermoplastic Extrusion except for bus bays)
- Transverse Median Marking (Tape, Type II or Thermoplastic Extrusion)
- Transverse Shoulder Marking (Tape, Type II or Thermoplastic Extrusion)
- Channelizing Island or Deceleration Lane Gore (Tape, Type II or Thermoplastic Extrusion)
- Crosswalk and Stop Line. All Stop Lines shall be 10'-0" from Crosswalk unless otherwise noted. The circled number indicates the number of lanes for payment (Tape, Type III or Thermoplastic Extrusion)
- Pavement Arrow (Tape, Type III or Thermoplastic Extrusion)
- Pavement Word (Tape, Type III or Thermoplastic Extrusion)
- 4 Each Type J Raised Pavement Markers  
Type D Raised Pavement Markers @ 40'-0" o.c.  
Type H Raised Pavement Markers (Reflective Surface facing no-passing direction)  
4" Single Solid Yellow Stripe (Tape, Type I or Thermoplastic Extrusion)
- Extension of Edge Line, 4" Wide x 2'-0" Long White Stripe @ 10'-0" o.c. w/Type C Markers @ 40'-0" o.c. (Tape, Type III or Thermoplastic Extrusion)

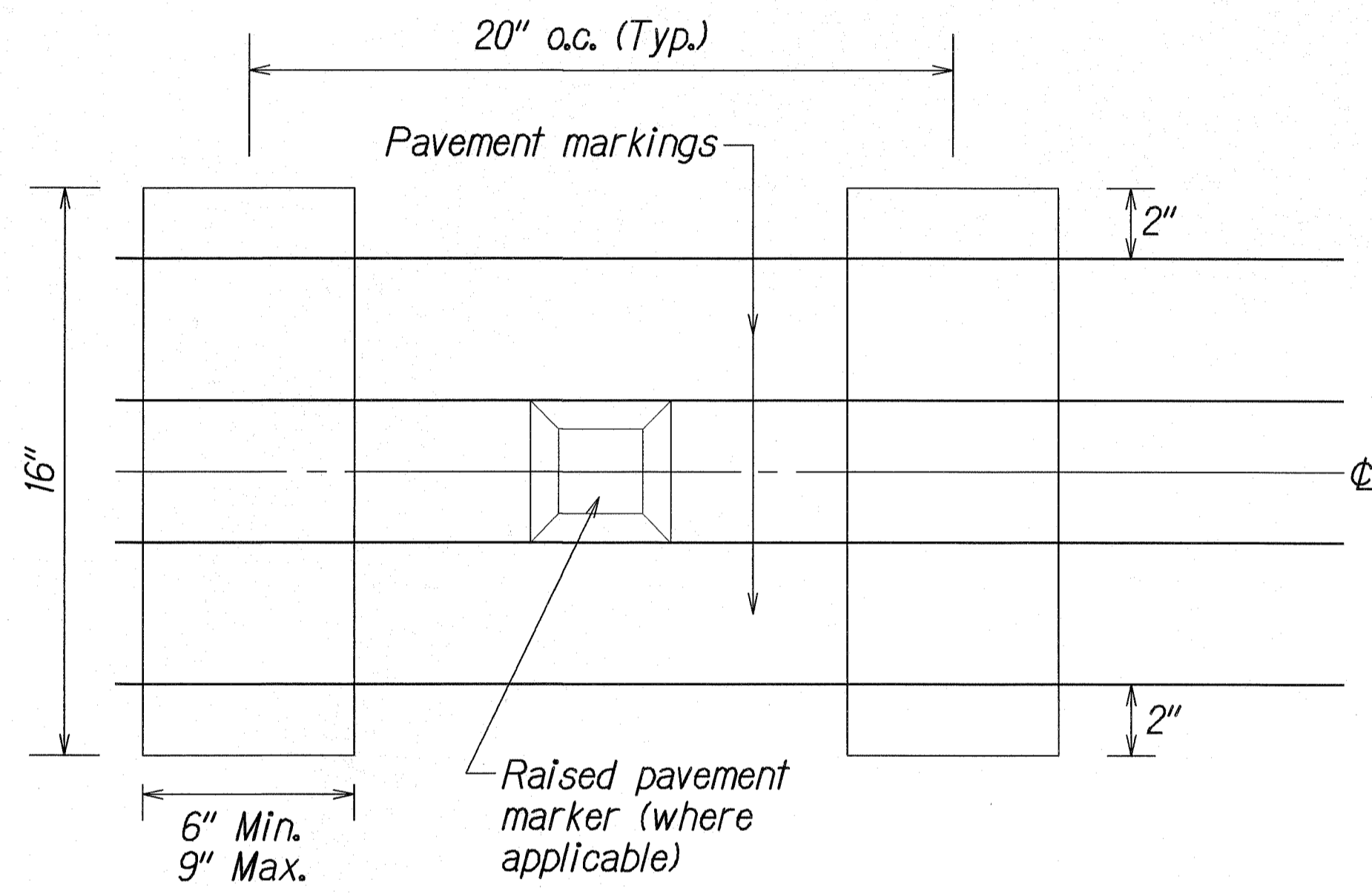
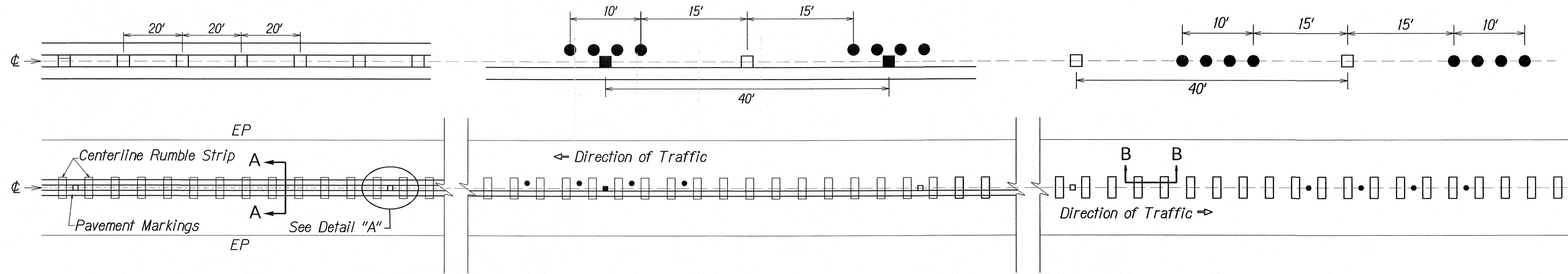
**NOTES**

1. Layout of pavement markings and striping shall be done by the Contractor and approved by the Engineer prior to any installation work.
2. Existing pavement markings not incorporated in the final traffic pattern shall be removed as directed by the Engineer. Costs shall be incidental to the various pavement marking items.
3. Final locations of all signs shall be approved by the Engineer prior to any installation work.
4. Existing signs not shown on these plans shall remain as posted unless otherwise directed by the Engineer. Removal and disposal of existing signs and/or posts as designated on these plans shall be incidental to the various signing items.
5. Final locations of all Stop Lines shall be approved by the Engineer prior to installation.
6. All pavement striping shall be as noted on the legend or plans.
7. All preformed pavement marking tapes over existing pavement shall be applied with an approved primer as recommended by the tape manufacturer and as approved by the Engineer. The primer shall be allowed to dry to the tacky stage prior to tape application.

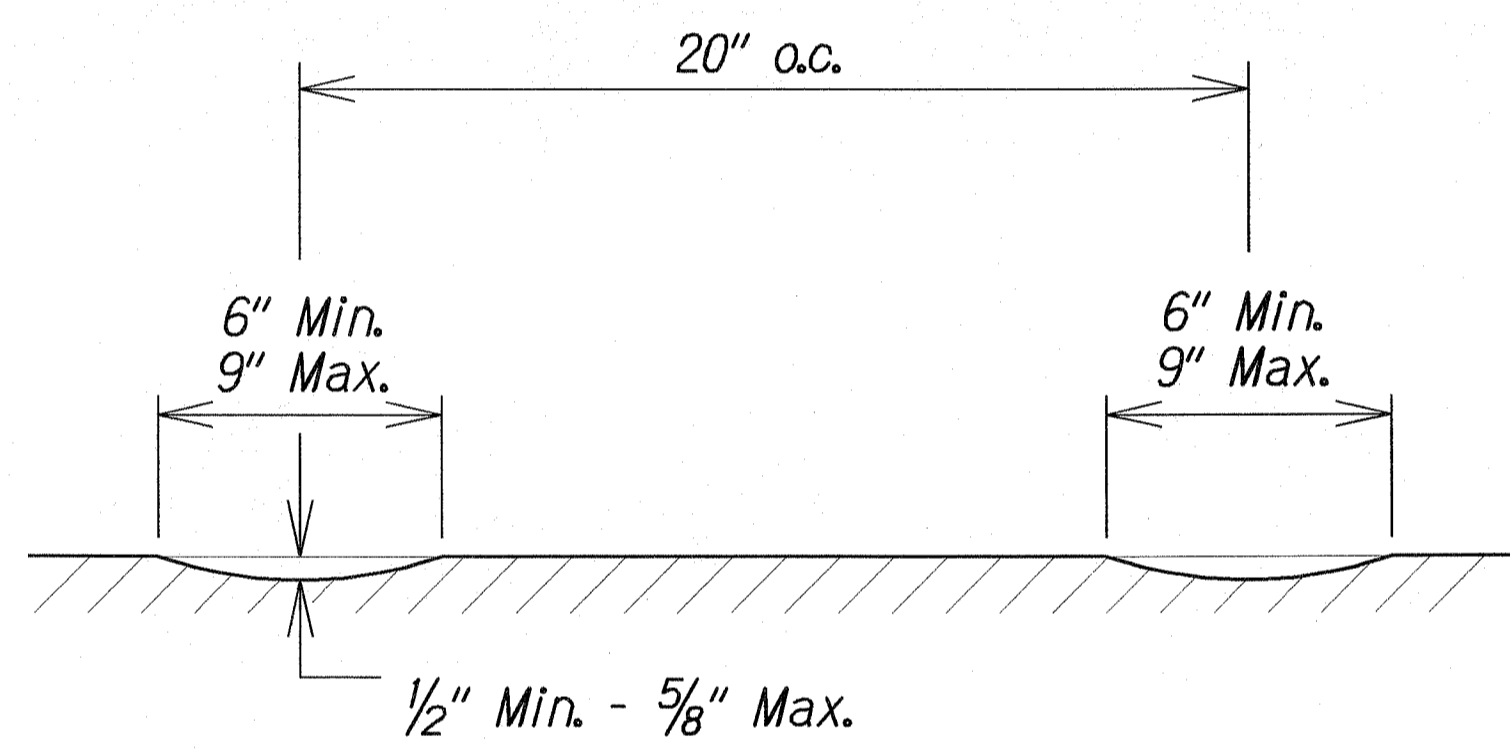
SURVEY PLOTTED BY: DATE: 02/09  
 DRAWN BY: JG  
 TRACED BY: JG  
 DESIGNED BY: JG  
 CHECKED BY: JG  
 APPROVED BY: JG  
 ORIGINAL PLAN: JG  
 NOTE BOOK: JG  
 DATE: JG  
 BY: JG  
 FOR: JG

STATE OF HAWAII  
 DEPARTMENT OF TRANSPORTATION  
 HIGHWAYS DIVISION  
**PAVEMENT MARKING**  
**LEGEND, DETAILS & NOTES**  
 MAUNALOA HIGHWAY RESURFACING  
 Hoolehua to Vicinity of Keonelele Avenue  
 Federal-Aid Project No. ARR-0460(14)  
 Scale: As Noted Date: February, 2009  
 SHEET No. 1 OF 1 SHEETS

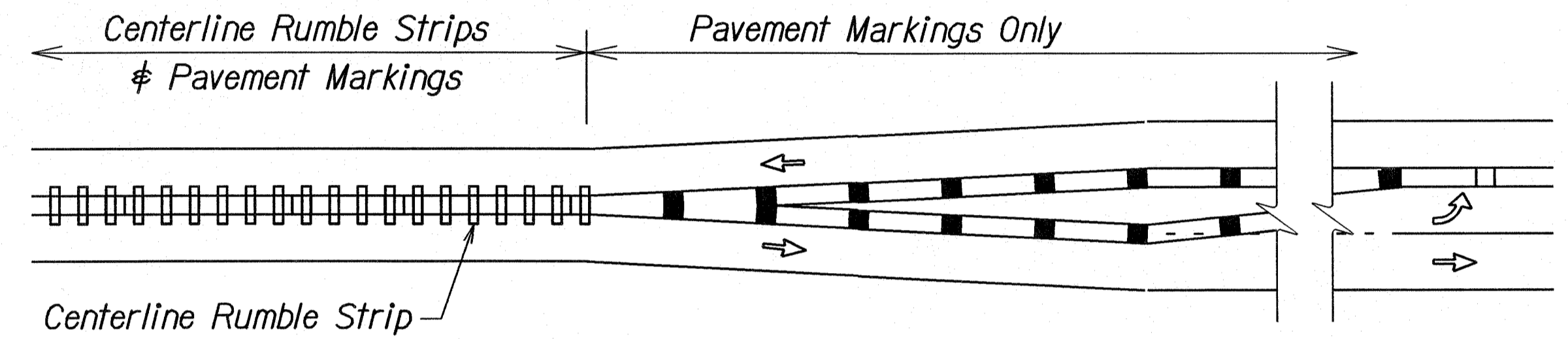
FED. ROAD DIST. NO.	STATE	FED. AID PROJ. NO.	FISCAL YEAR	SHEET NO.	TOTAL SHEETS
HAWAII	HAW.	ARR-0460(14)	2009	16	26



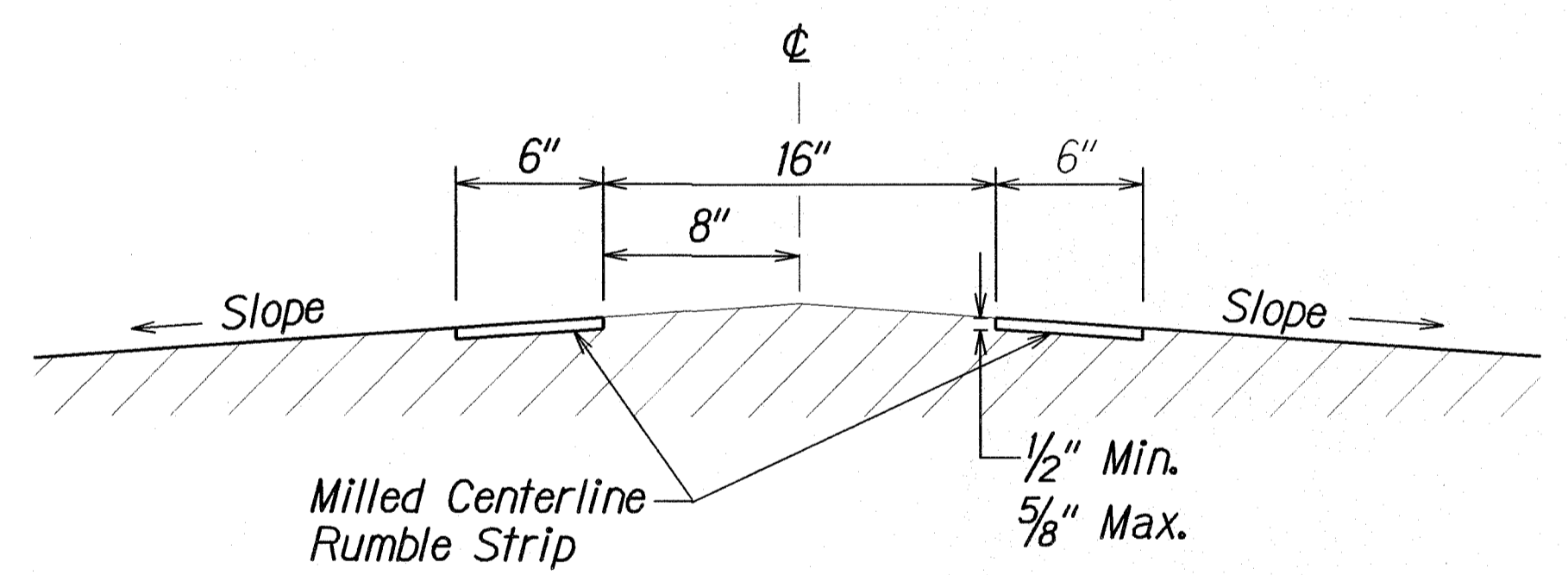
**DETAIL "A"**



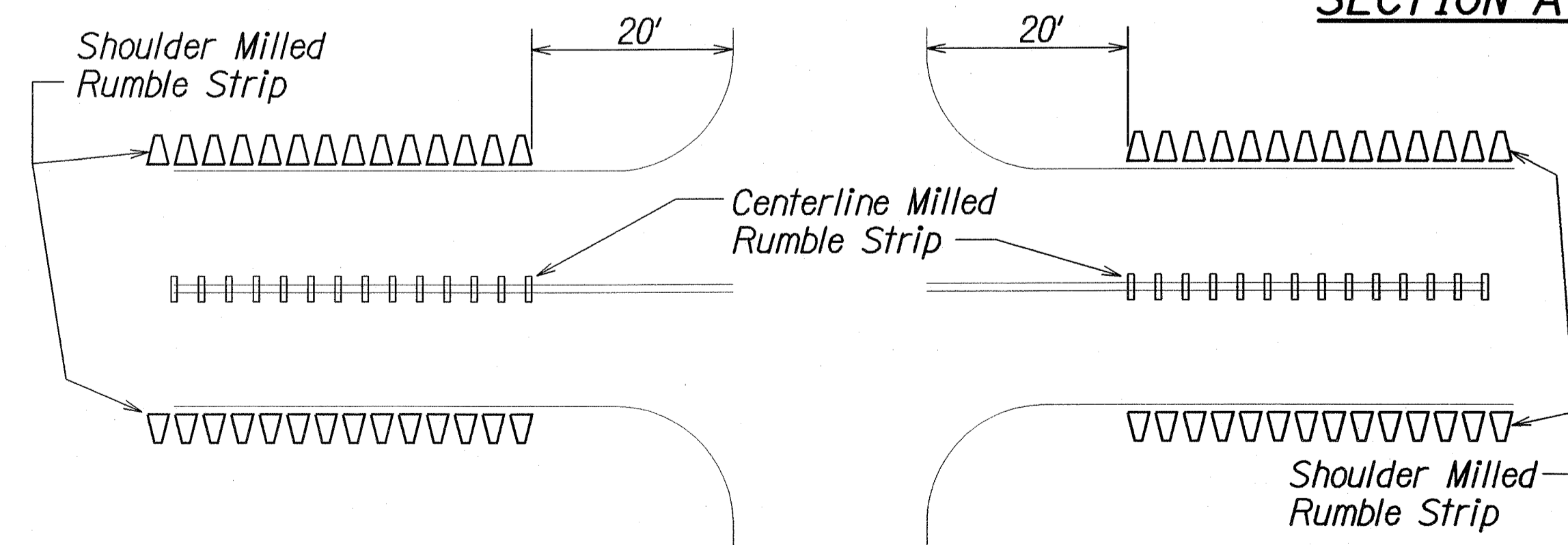
**SECTION B-B - CENTERLINE MILLED RUMBLE STRIP**



**CENTERLINE MILLED RUMBLE STRIP INSTALLATION LIMIT**



**SECTION A-A - CENTERLINE MILLED RUMBLE STRIP**



**SHOULDER MILLED RUMBLE STRIP INSTALLATION LIMIT**

Not to Scale

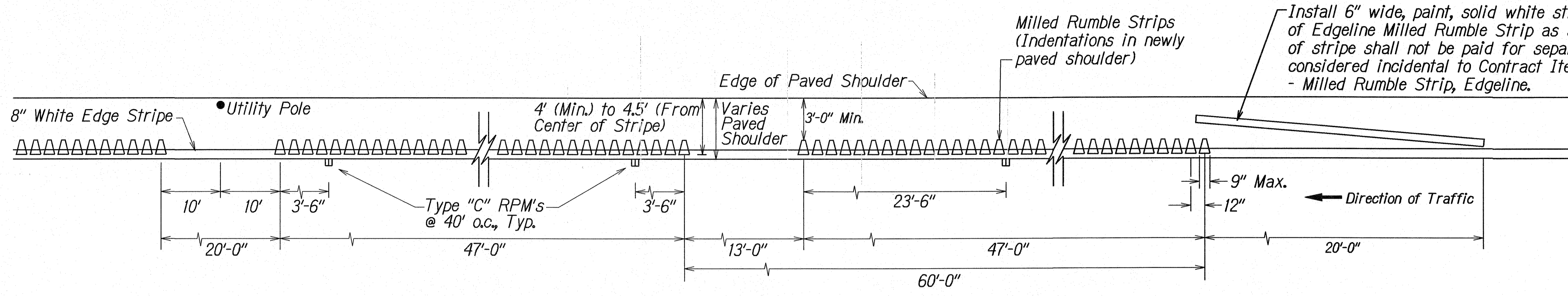
**NOTES:**

1. The method of constructing the centerline milled rumble strip shall be submitted to the Engineer for acceptance prior to the actual work.
2. Dimensions shown are approximate. Adjust rumble strip spacing to coordinate with pavement markings prior to installation.
3. Raised pavement markers shall be installed on level surface between the rumble strips. Do not install raised pavement markers inside the milled area.
4. The construction of the centerline milled rumble strip shall be paid for under Item No. 615.0100 - Milled Rumble Strip, Centerline. The milling apparatus and removal of existing pavement markings will not be paid for separately and shall be considered incidental to Item 615.0100.
5. Do not install centerline rumble strips on bridge decks.
6. Where at-grade bridges are present, rumble strips shall end/begin 20 L.F. beyond the existing bridge deck joints/concrete approach slab.
7. Pre-formed pavement striping tape or hot spray thermoplastic shall be used for solid line markings withing the milled centerline rumble strip area.

ORIGINAL PLAN SURVEY PLOTTED BY DATE  
 DRAWN BY M. Takahashi  
 DESIGNED BY X  
 CHECKED BY J. S. [unclear]  
 NOTE BOX  
 2/16/09

STATE OF HAWAII  
 DEPARTMENT OF TRANSPORTATION  
 HIGHWAYS DIVISION  
**CENTERLINE MILLED RUMBLE STRIP DETAIL**  
 MAUNALOA HIGHWAY RESURFACING  
 Hoolehua to Vicinity of Keonelele Avenue  
 Federal-Aid Project No. ARR-0460(14)  
 Scale: As Shown Date: February, 2009  
 SHEET No. 1 OF 3 SHEETS

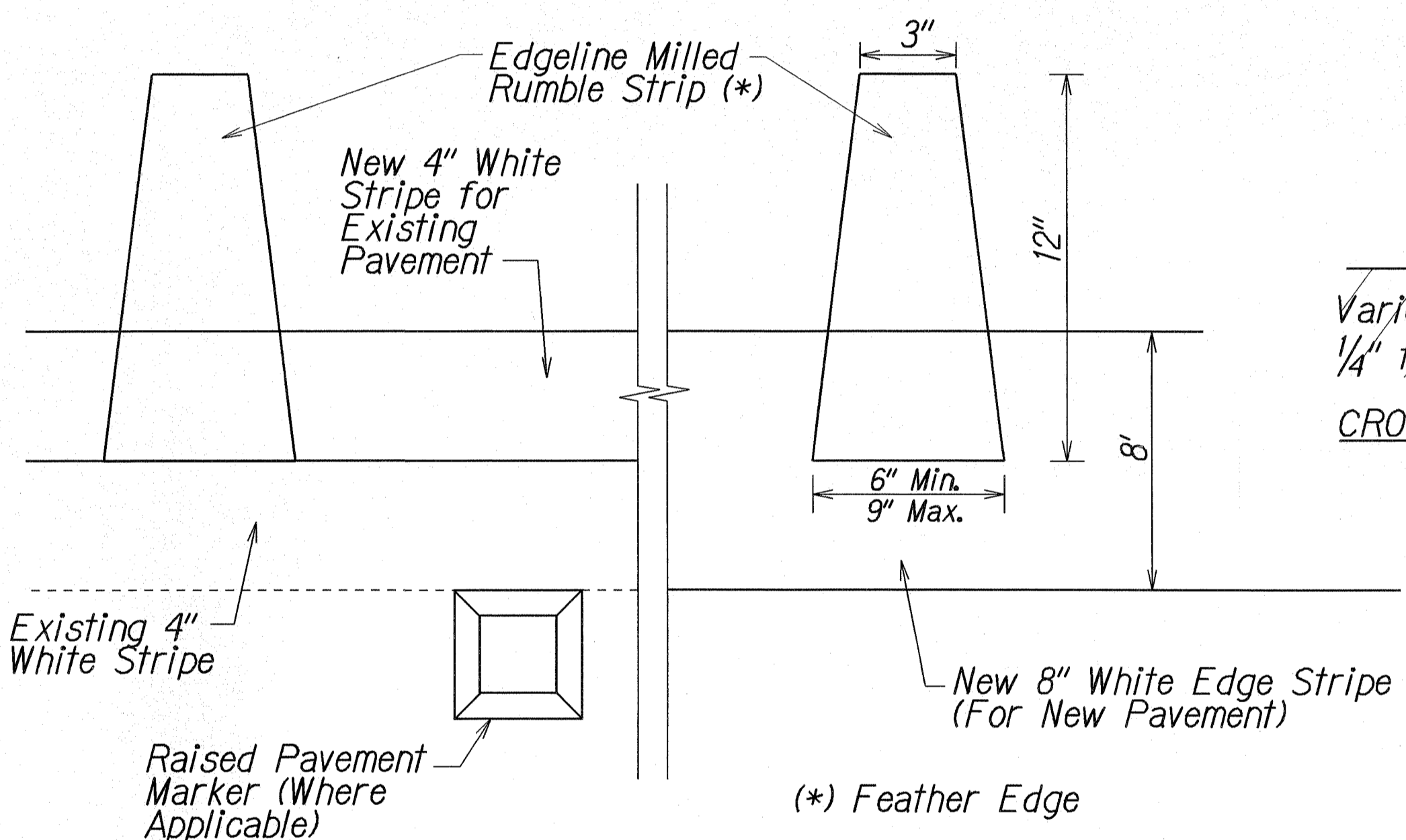
FED. ROAD DIST. NO.	STATE	FED. AID PROJ. NO.	FISCAL YEAR	SHEET NO.	TOTAL SHEETS
HAWAII	HAW.	ARR-0460(14)	2009	17	26



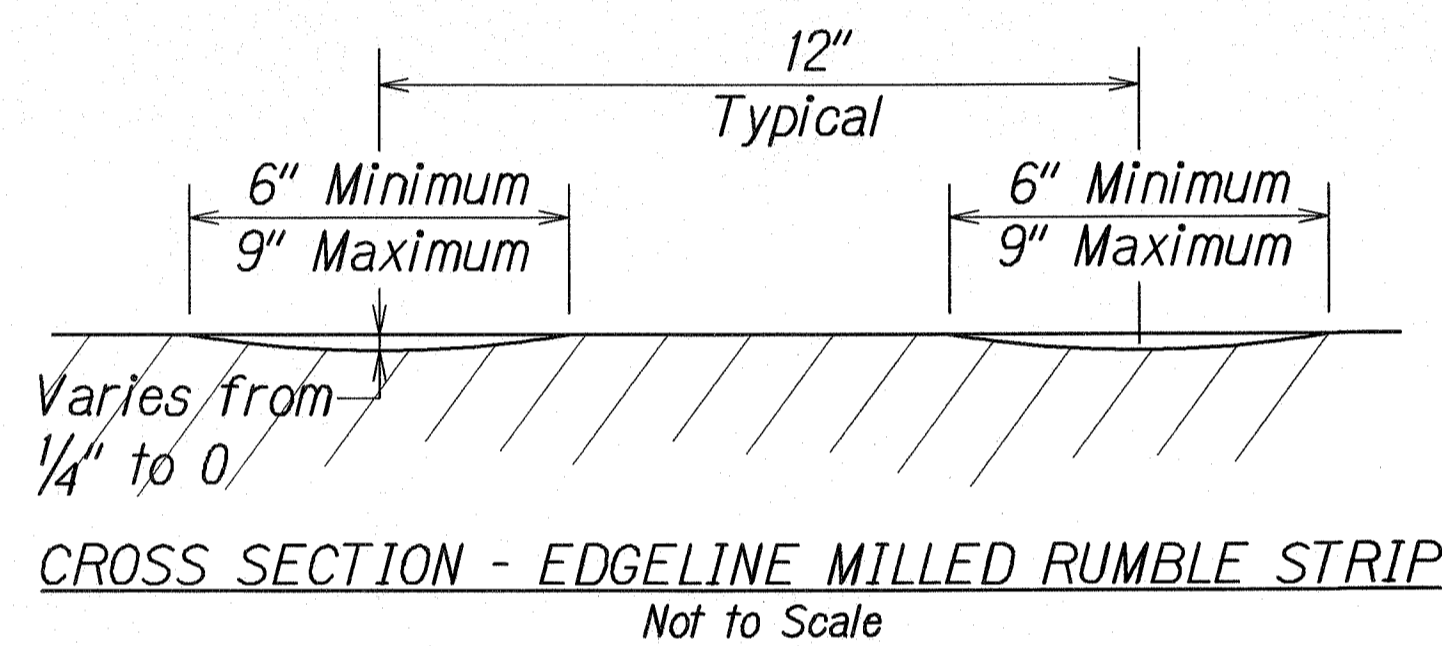
PLAN - EDGELINE MILLED RUMBLE STRIP  
Not to Scale

NOTES:

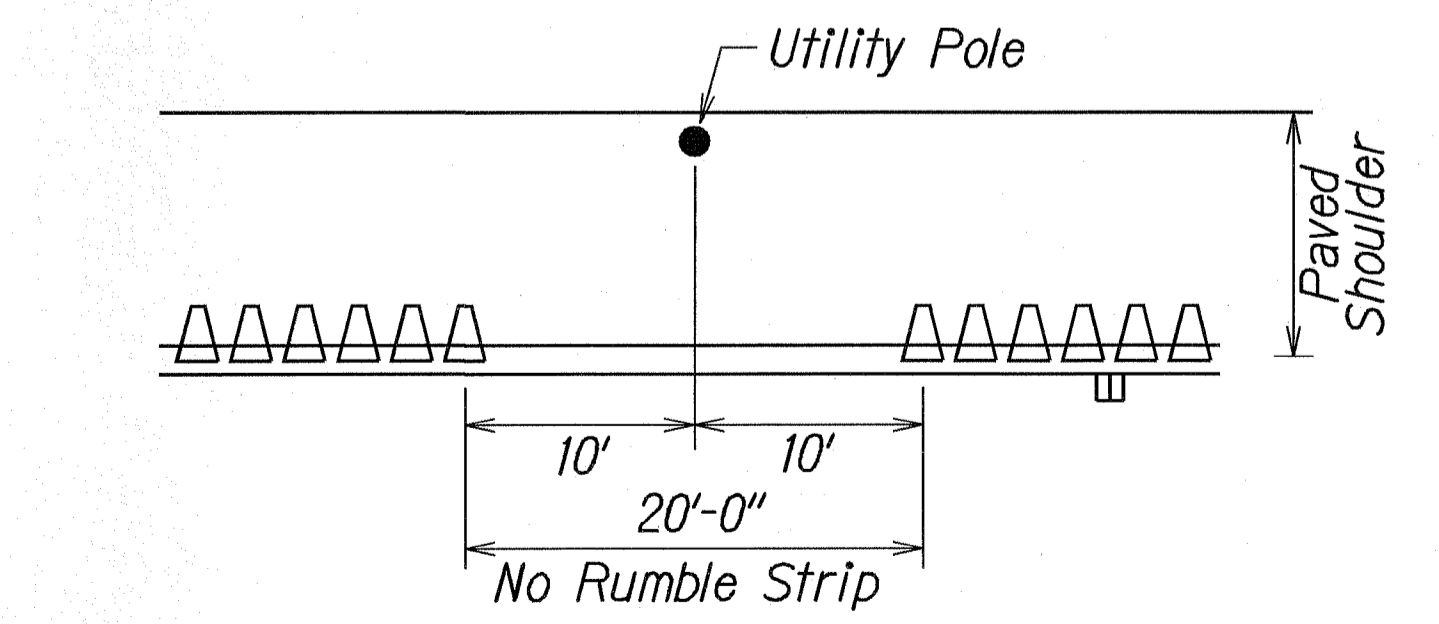
- Edgeline milled rumble strips shall be installed where the existing condition of the shoulder are 4' or less from center of edge stripe.
- The method of constructing the edgeline milled rumble strip shall be submitted to the Engineer for acceptance prior to the actual work.
- Dimensions shown are approximate. Adjust rumble strip spacing to coordinate with pavement marking prior to installation.
- Raised pavement markers shall be installed on level surface between the rumble strips. Do not install raised pavement markers inside the milled area.
- The construction of the edgeline milled rumble strip and 13-foot gaps shall be paid for under Item No. 615.0200 - Milled Rumble Strip, Edgeline. The milling apparatus, 20 L.F. - 6" white stripe, and removal of existing pavement markings will not be paid for separately and shall be considered incidental to Item 615.0200 - Milled Rumble Strip, Edgeline.
- Rumble strips shall be installed along all shoulders, except at right turn deceleration and acceleration lanes, as noted on the plans.
- Do not place Type "C" Raised Pavement markers within 2 ft. of the 13 ft. Rumble Strip opening.
- Do not install edgeline rumble strips on bridge decks.
- Where at-grade bridges are present, rumble strips shall end/begin 20 L.F. beyond the existing bridge deck joints/concrete approach slab.
- Rumble Strips are to be installed after the edge of pavement stripe and before the installation of the Type "C" raised pavement markers.
- Pre-formed pavement striping tape or hot spray thermoplastic shall be used for solid line markings within the edgeline milled rumble strip area.



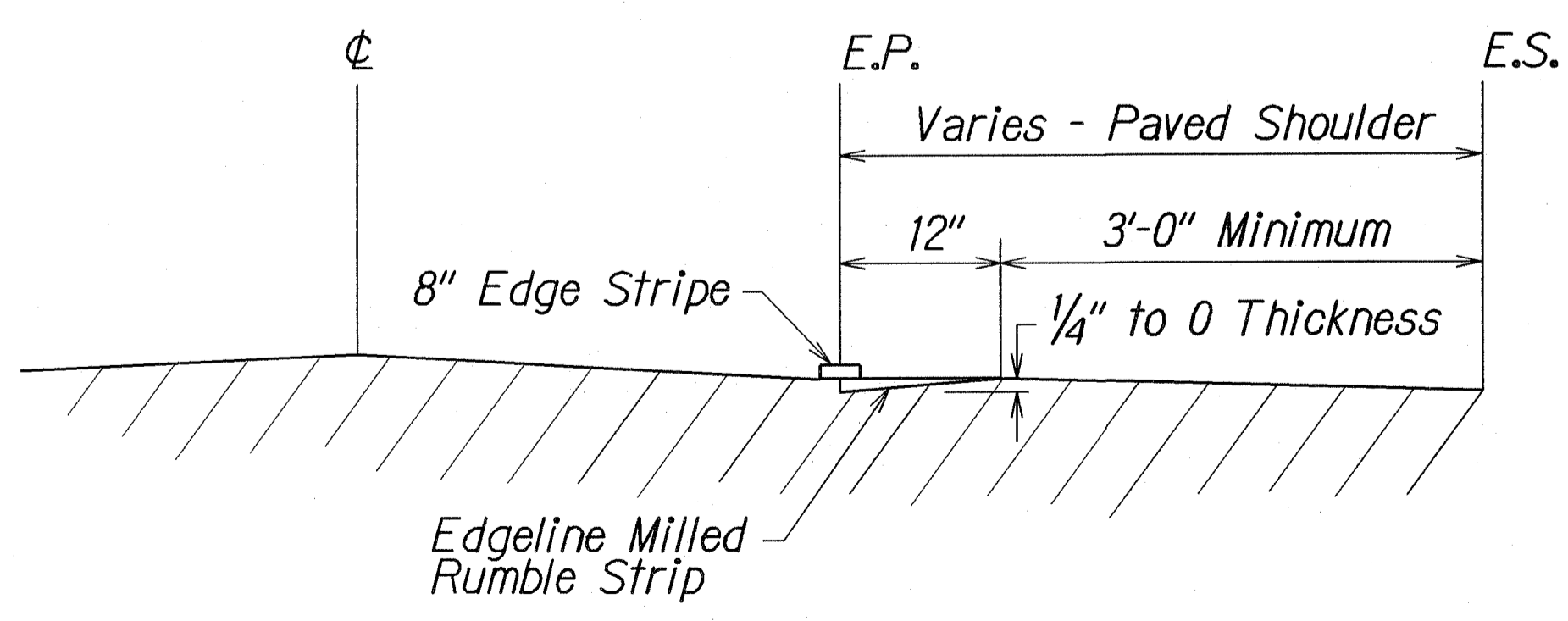
DETAIL - EDGELINE MILLED RUMBLE STRIP  
Not to Scale



CROSS SECTION - EDGELINE MILLED RUMBLE STRIP  
Not to Scale



DETAIL - CONDITION WHERE UTILITY POLE EXISTS  
Not to Scale



LONGITUDINAL SECTION - EDGELINE MILLED RUMBLE STRIP  
Not to Scale

DATE: \_\_\_\_\_  
 SURVEY PLOTTED BY: \_\_\_\_\_  
 PLAN DRAWN BY: \_\_\_\_\_  
 TRACED BY: \_\_\_\_\_  
 NOTED BY: \_\_\_\_\_  
 CHECKED BY: \_\_\_\_\_

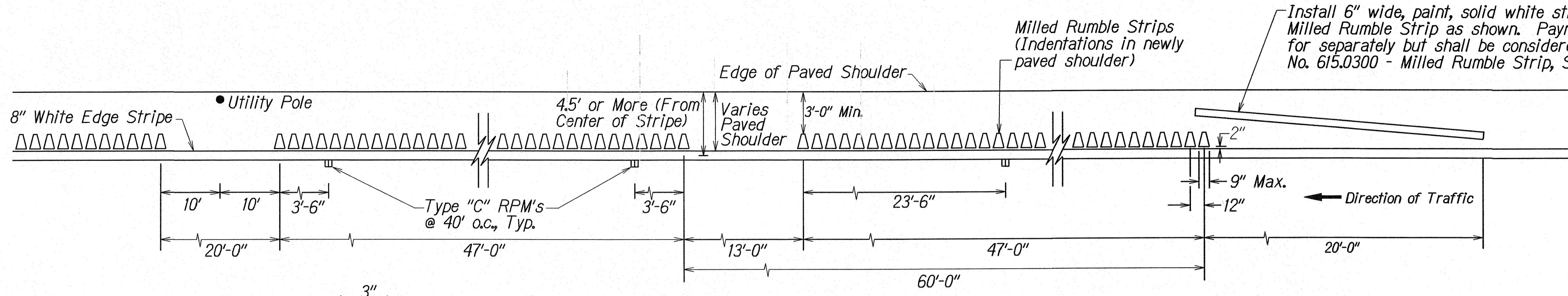
STATE OF HAWAII  
 DEPARTMENT OF TRANSPORTATION  
 HIGHWAYS DIVISION

**EDGELINE MILLED RUMBLE STRIP**  
**DETAIL FOR SHOULDER 4' TO 4.5'**  
 MAUNALOA HIGHWAY RESURFACING  
 Hoolehua to Vicinity of Keonelele Avenue  
 Federal-Aid Project No. ARR-0460(14)

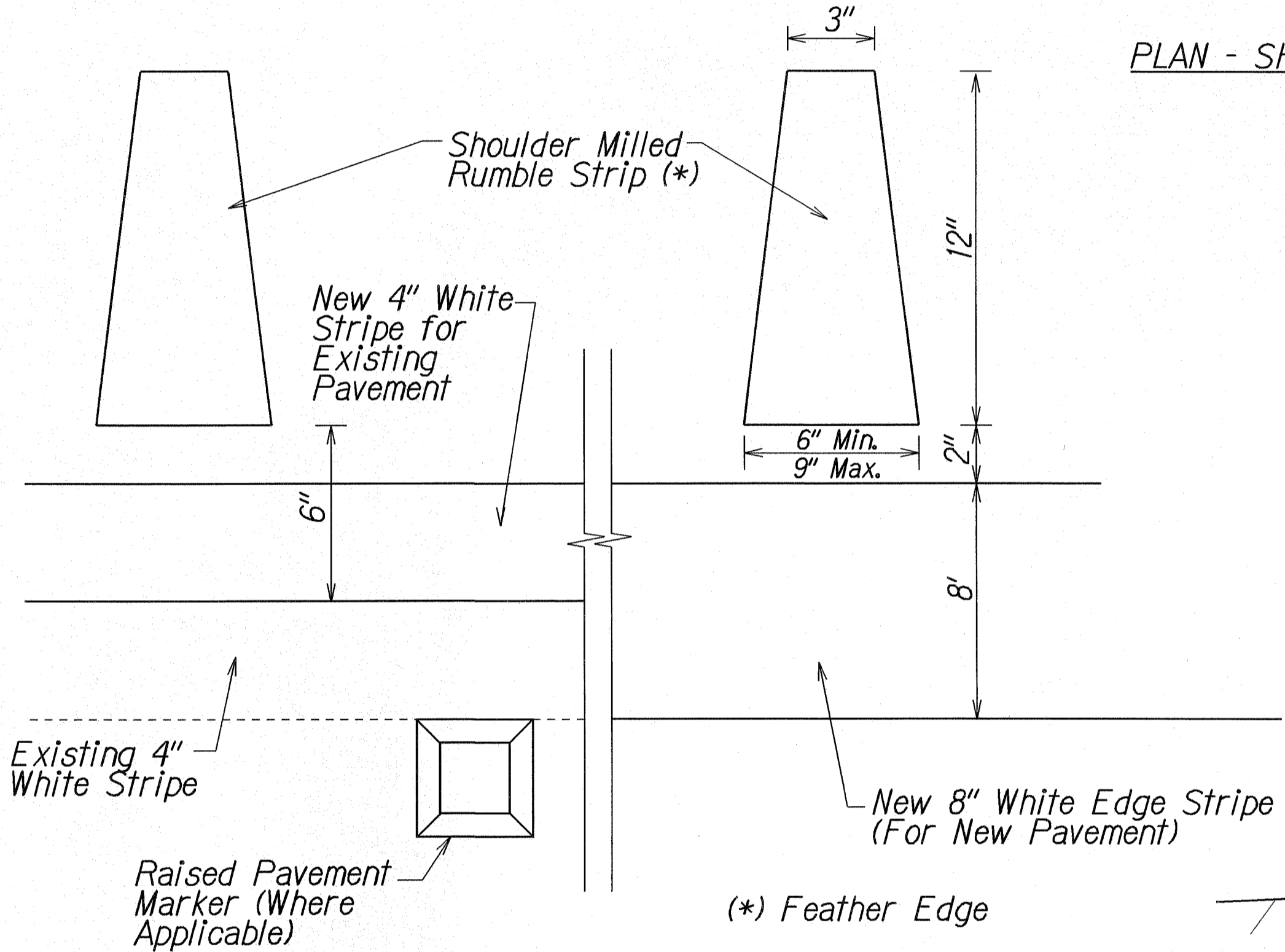
Scale: As Shown Date: February, 2009

SHEET No. 2 OF 3 SHEETS

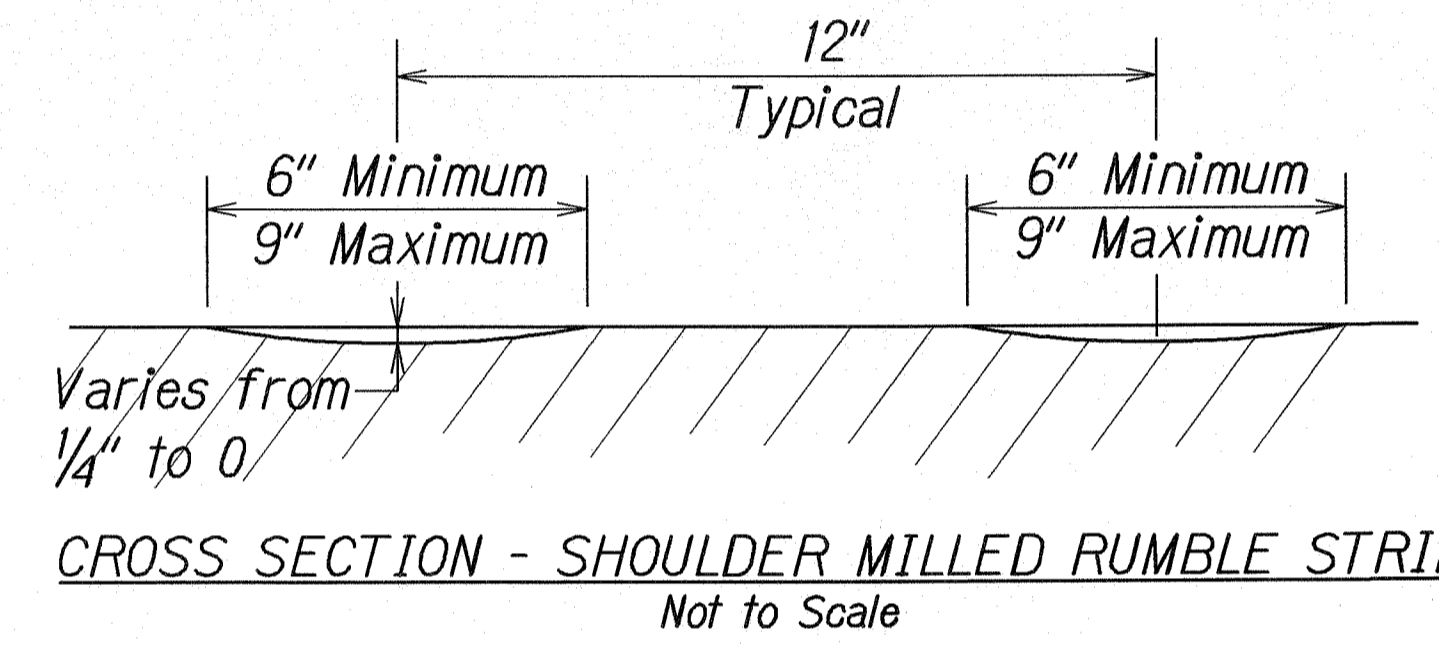
FED. ROAD DIST. NO.	STATE	FED. AID PROJ. NO.	FISCAL YEAR	SHEET NO.	TOTAL SHEETS
HAWAII	HAW.	ARR-0460(14)	2009	18	26



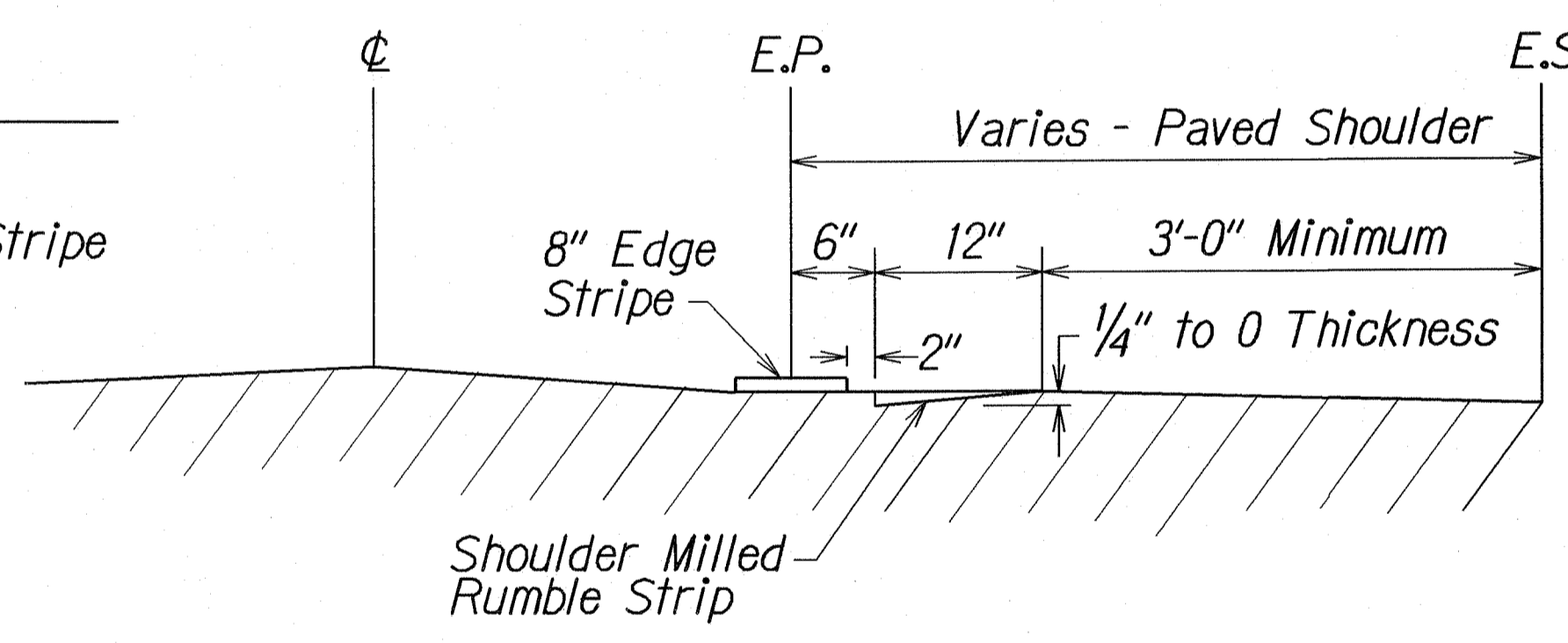
PLAN - SHOULDER MILLED RUMBLE STRIP  
Not to Scale



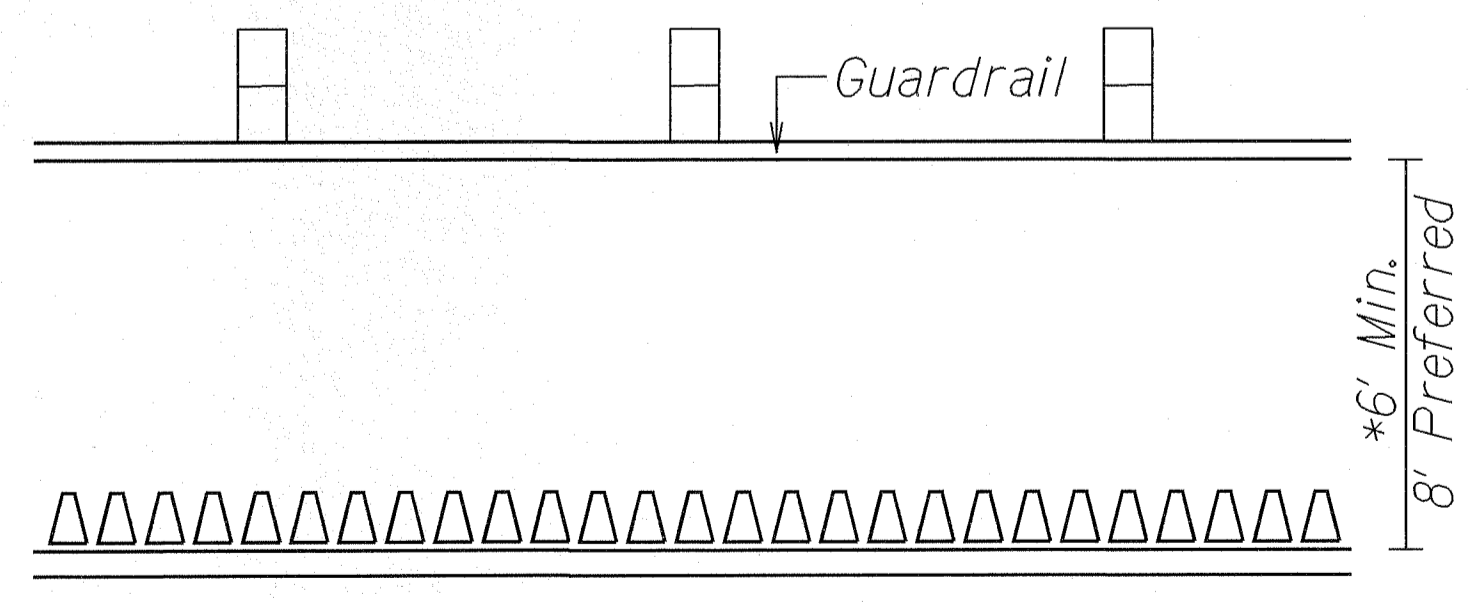
DETAIL - SHOULDER MILLED RUMBLE STRIP  
Not to Scale



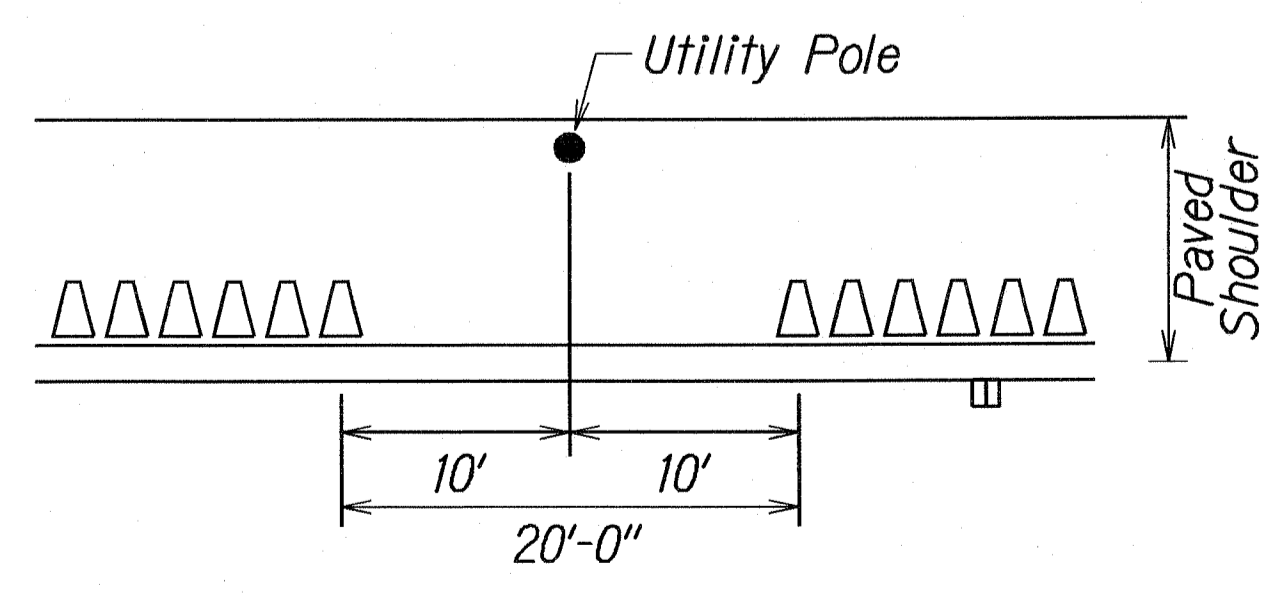
CROSS SECTION - SHOULDER MILLED RUMBLE STRIP  
Not to Scale



LONGITUDINAL SECTION - SHOULDER MILLED RUMBLE STRIP  
Not to Scale



DETAIL - CONDITION WHERE GUARDRAIL EXISTS  
Not to Scale



DETAIL - CONDITION WHERE UTILITY POLE EXISTS  
Not to Scale

NOTES:

- Shoulder milled rumble strips shall be installed where the existing condition of the shoulder are 4.5' or less from center of edge stripe.
- The method of constructing the shoulder milled rumble strip shall be submitted to the Engineer for acceptance prior to the actual work.
- Dimensions shown are approximate. Adjust rumble strip spacing to coordinate with pavement marking prior to installation.
- Raised pavement markers shall be installed on level surface between the rumble strips. Do not install raised pavement markers inside the milled area.
- The construction of the edgeline milled rumble strip and 13-foot gaps shall be paid for under Item No. 615.0300 - Milled Rumble Strip, Shoulder. The milling apparatus, 20 L.F. - 6" white stripes, and removal of existing pavement markings will not be paid for separately and shall be considered incidental to Item 615.0300 - Milled Rumble Strip, Shoulder.
- Rumble strips shall be installed along all shoulders, except at right turn deceleration and acceleration lanes, as noted on the plans.
- Do not place Type "C" Raised Pavement markers within 2 ft. of the 13 ft. Rumble Strip opening.
- Do not install edgeline rumble strips on bridge decks.
- Where at-grade bridges are present, rumble strips shall end/begin 20 L.F. beyond the existing bridge deck joints/concrete approach slab.
- Rumble Strips are to be installed after the edge of pavement stripe and before the installation of the Type "C" raised pavement markers.
- Pre-formed pavement striping tape or hot spray thermoplastic shall be used for solid line markings within the shoulder milled rumble strip area.

\*If shoulder width is less than 6', do not install shoulder rumble strip where guardrail exists.

ORIGINAL PLAN  
SURVEY PLOTTED BY  
DRAWN BY  
NOTED BY  
DESIGNED BY  
CHECKED BY  
DATE

STATE OF HAWAII  
DEPARTMENT OF TRANSPORTATION  
HIGHWAYS DIVISION

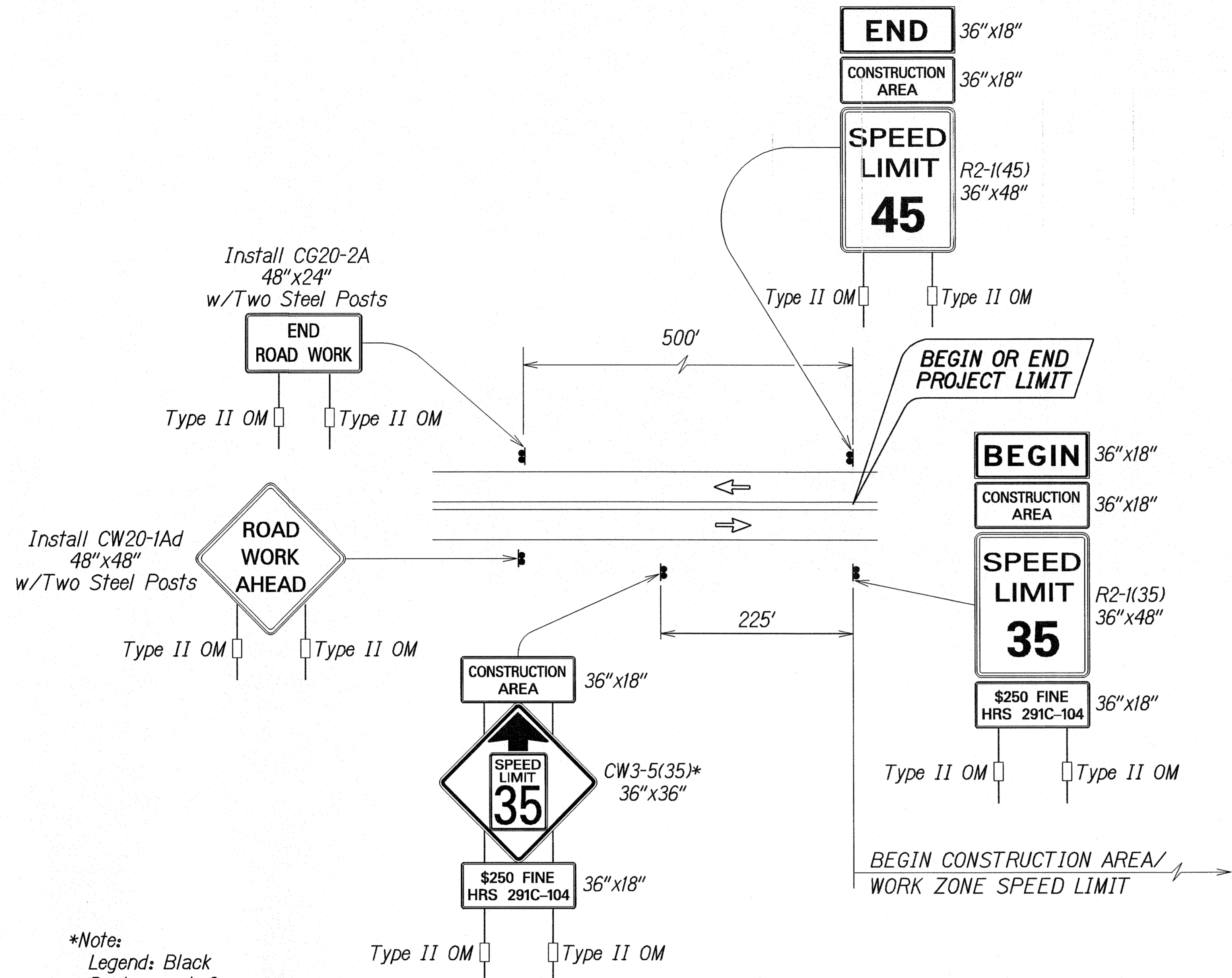
**SHOULDER MILLED RUMBLE STRIP**  
**DETAIL FOR SHOULDER 4.5' OR MORE**

MAUNALOHA HIGHWAY RESURFACING  
Hoolehua to Vicinity of Keonelele Avenue  
Federal-Aid Project No. ARR-0460(14)

Scale: As Shown Date: February, 2009

SHEET No. 3 OF 3 SHEETS

FED. ROAD DIST. NO.	STATE	FED. AID PROJ. NO.	FISCAL YEAR	SHEET NO.	TOTAL SHEETS
HAWAII	HAW.	ARR-460(14)	2009	19	26



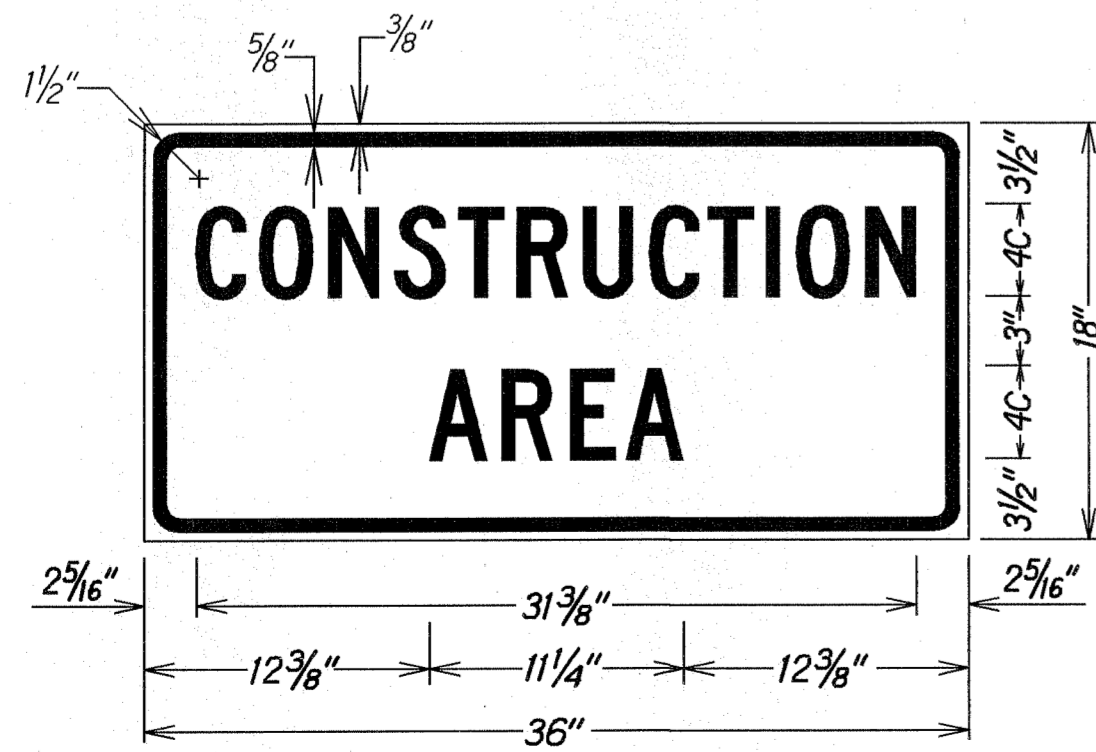
\*Note:  
 Legend: Black  
 Background: Orange  
 Speed Limit: Black on White

TYPICAL DETAIL FOR CONSTRUCTION SIGNS  
 ON TWO LANE OR MULTILANE UNDIVIDED HIGH SPEED HIGHWAY

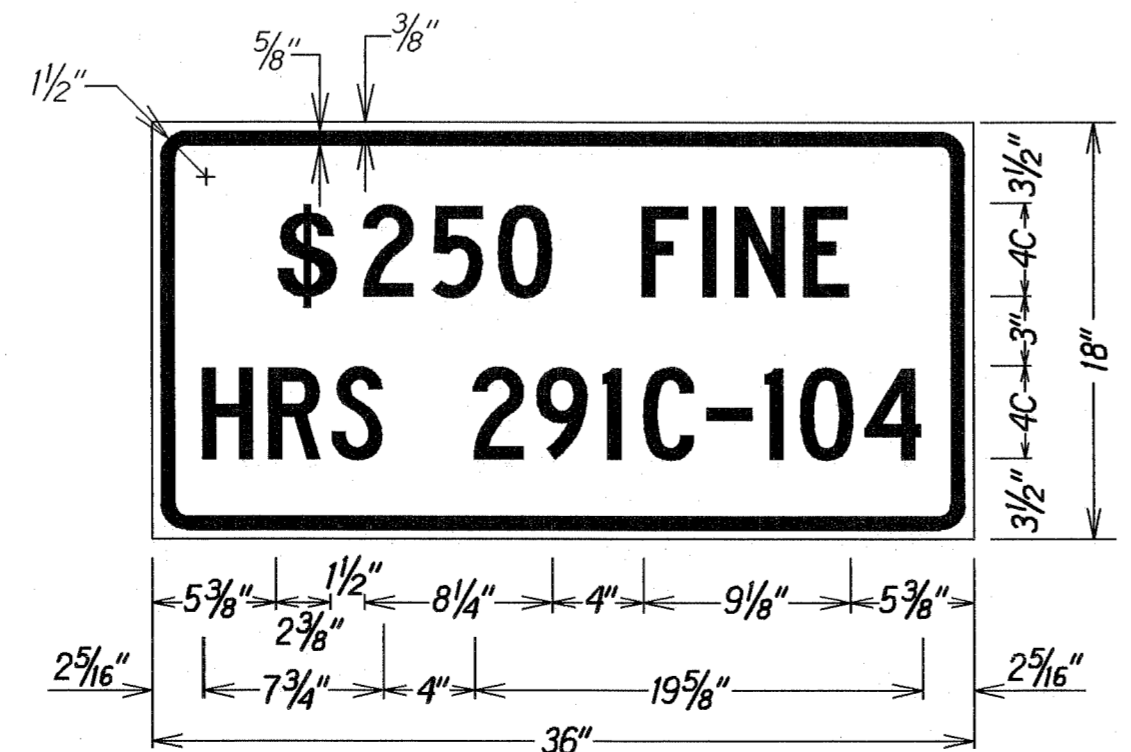
Work Zone Notes:

1. This Work Zone Sign Plan is intended for use on long-term stationary work zones/construction phases (3 days or more). All work zones or construction phases less than 3 days duration will use Traffic Control Plans shown in Section 645 of the Special Provisions.
2. All existing regulatory speed limit signs with posts within the work zone/project limits shall be removed and replaced with work zone speed limit sign assemblies (R2-1(35) and CW3-5(35) with "CONSTRUCTION AREA" and "\$250 FINE HRS 291C-104" Supplemental Signs).
3. Construction sign assemblies shall be installed on both the approaching and trailing ends of each work zone as shown on this plan.
4. Each construction warning sign and work zone speed limit assembly shall have a minimum of two (2) Type II OM. Installation of each Type II OM shall be considered incidental to Item No. 645.2000, Traffic Control.
5. Upon the completion of all physical work or as directed by the Engineer, all construction signs and work zone speed limit assemblies shall be removed. All speed limit signs and posts that were existing at the start of the project within the work zone/project limits shall be restored back to their original locations and configurations.
6. Placement of construction signs shall not obstruct the path of pedestrians and bicyclists.
7. The removal and restoration of existing regulatory speed limit signs with new posts along with the installation, maintenance and removal of work zone speed limit sign assemblies shall be considered incidental to Item No. 645.2000, Traffic Control.

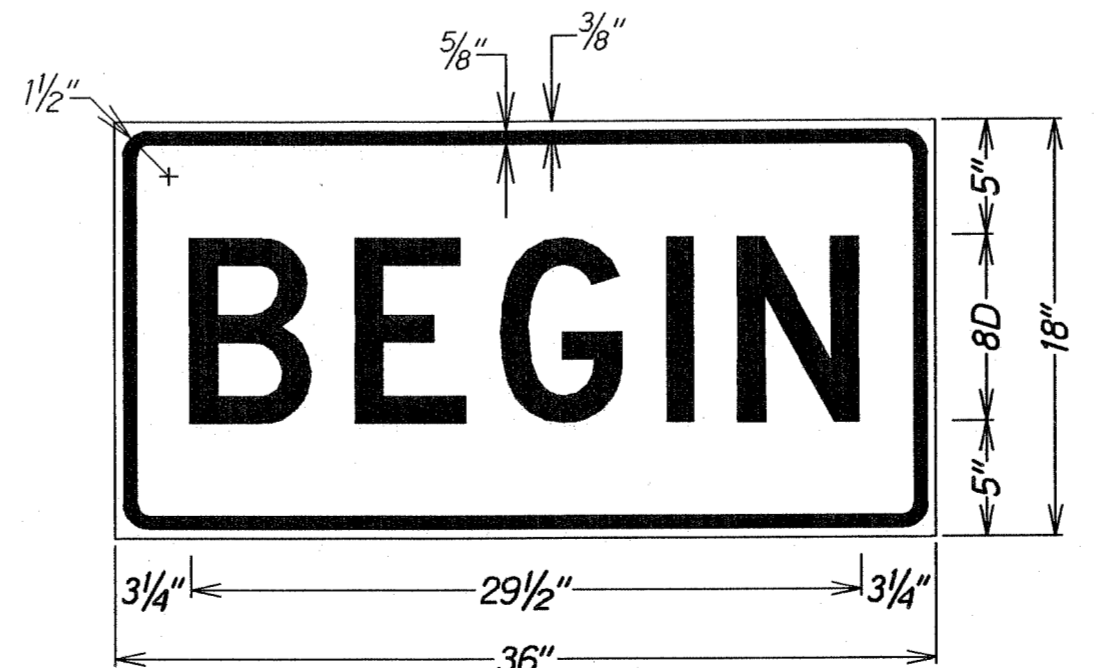
SURVEY PLOTTED BY	DATE
DRAWN BY	
TRACED BY	
DESIGNED BY	
CHECKED BY	
NO.	



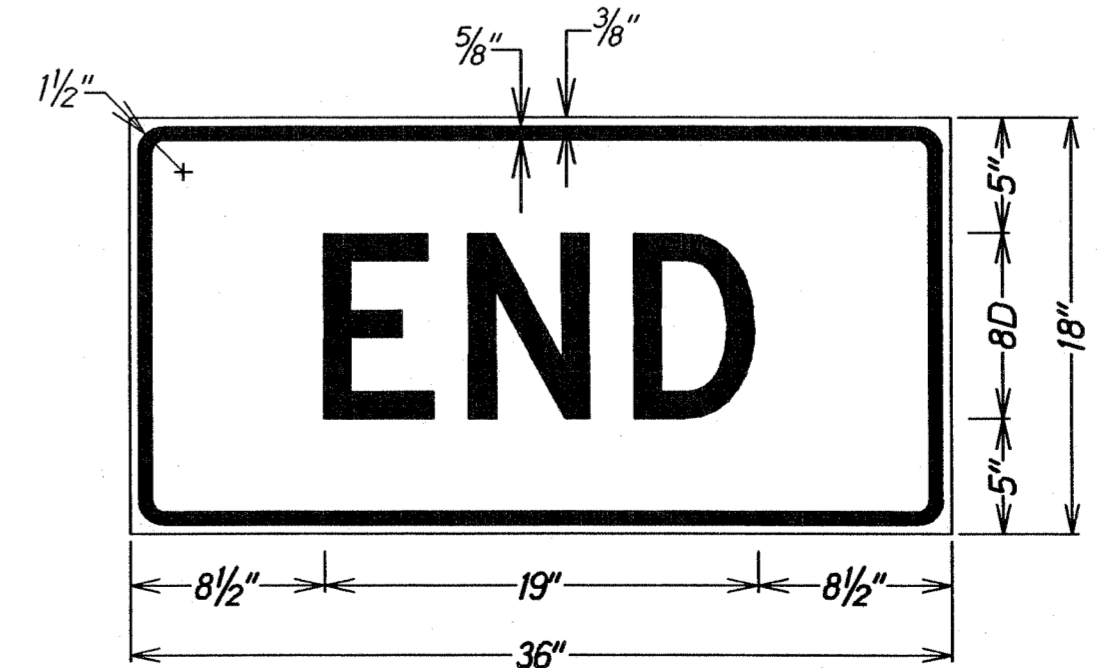
LEGEND: BLACK  
 BACKGROUND: ORANGE



LEGEND: BLACK  
 BACKGROUND: WHITE



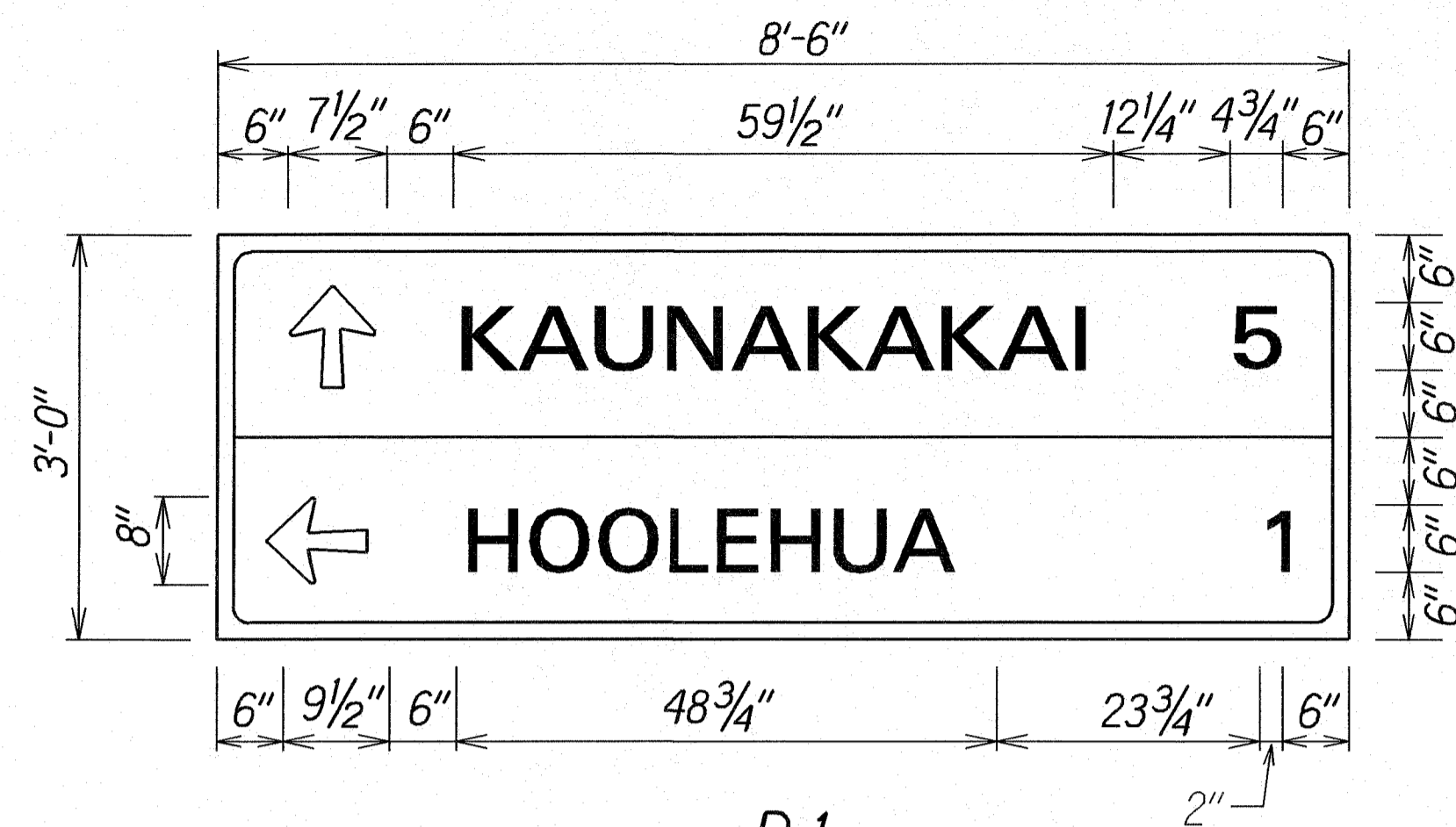
LEGEND: BLACK  
 BACKGROUND: ORANGE



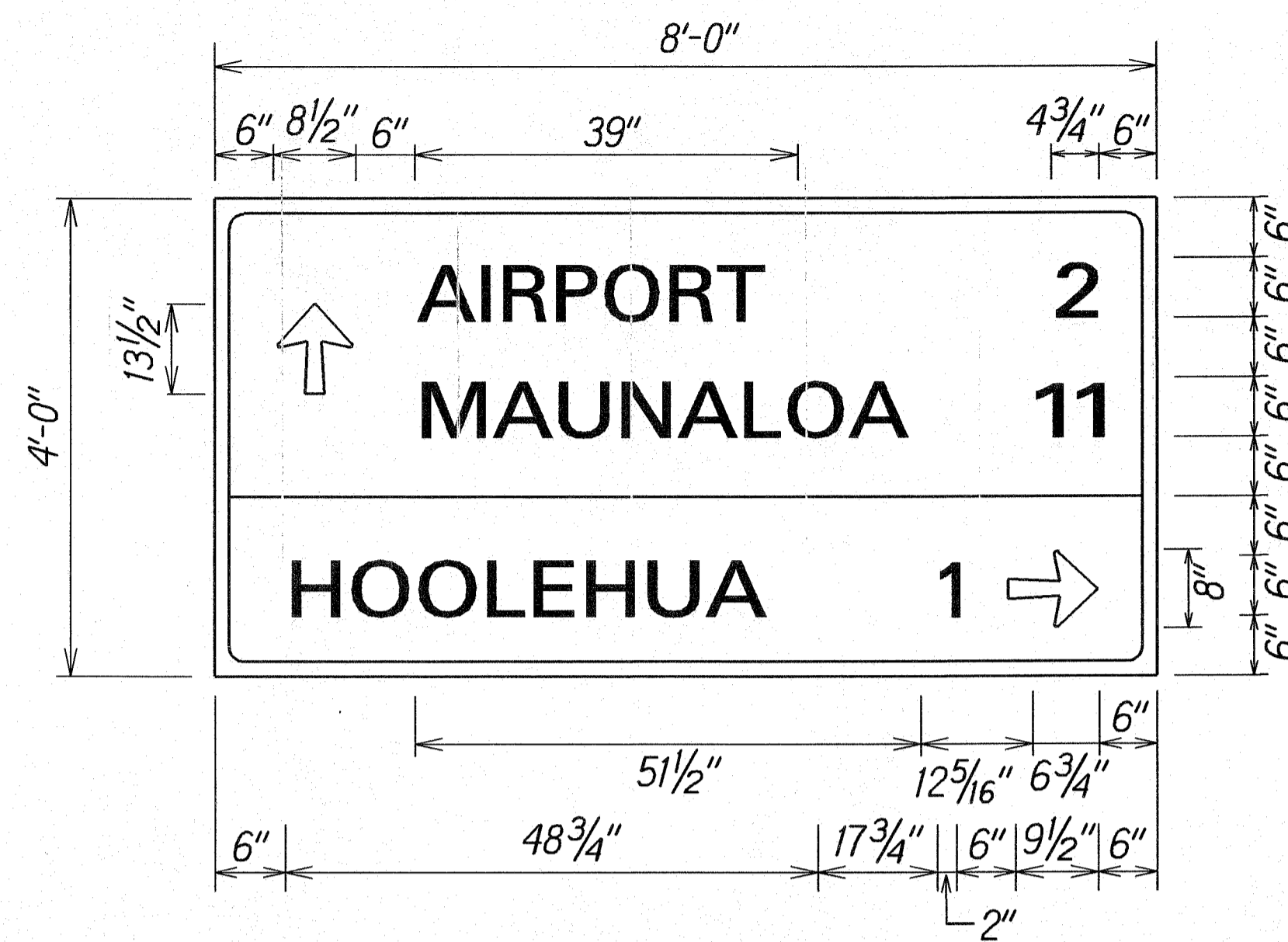
LEGEND: BLACK  
 BACKGROUND: ORANGE

STATE OF HAWAII  
 DEPARTMENT OF TRANSPORTATION  
 HIGHWAYS DIVISION  
**HIGH SPEED UNDIVIDED HIGHWAY**  
**WORK ZONE SIGNING PLAN, NOTES & DETAILS**  
 MAUNALO A HIGHWAY RESURFACING  
 Hoolehua to Vicinity of Keonelele Avenue  
 Federal-Aid Project No. ARR-0460(14)  
 Not To Scale Date: February, 2009

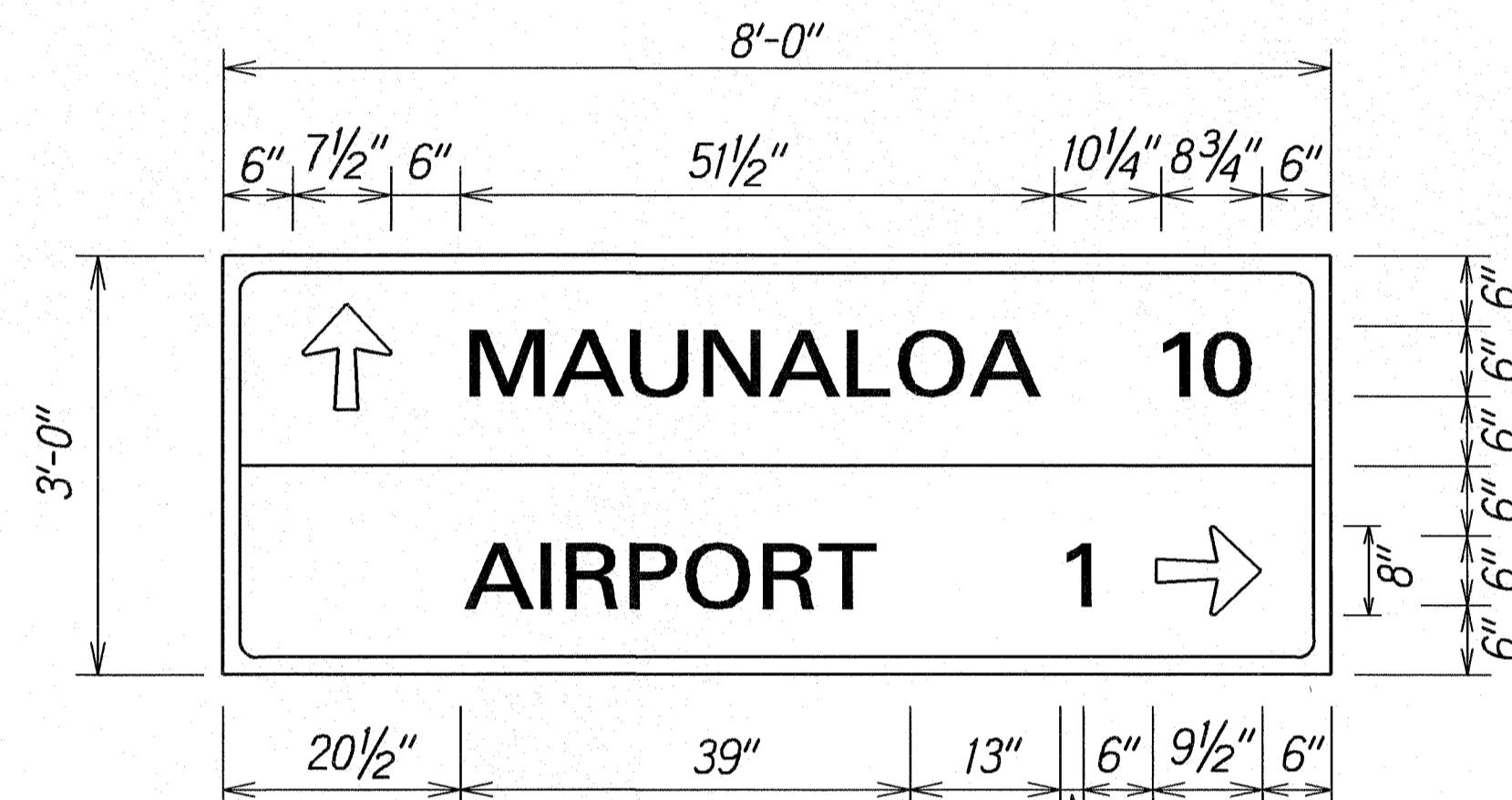
FED. ROAD DIST. NO.	STATE	FED. AID PROJ. NO.	FISCAL YEAR	SHEET NO.	TOTAL SHEETS
HAWAII	HAW.	ARR-0460(14)	2009	20	26



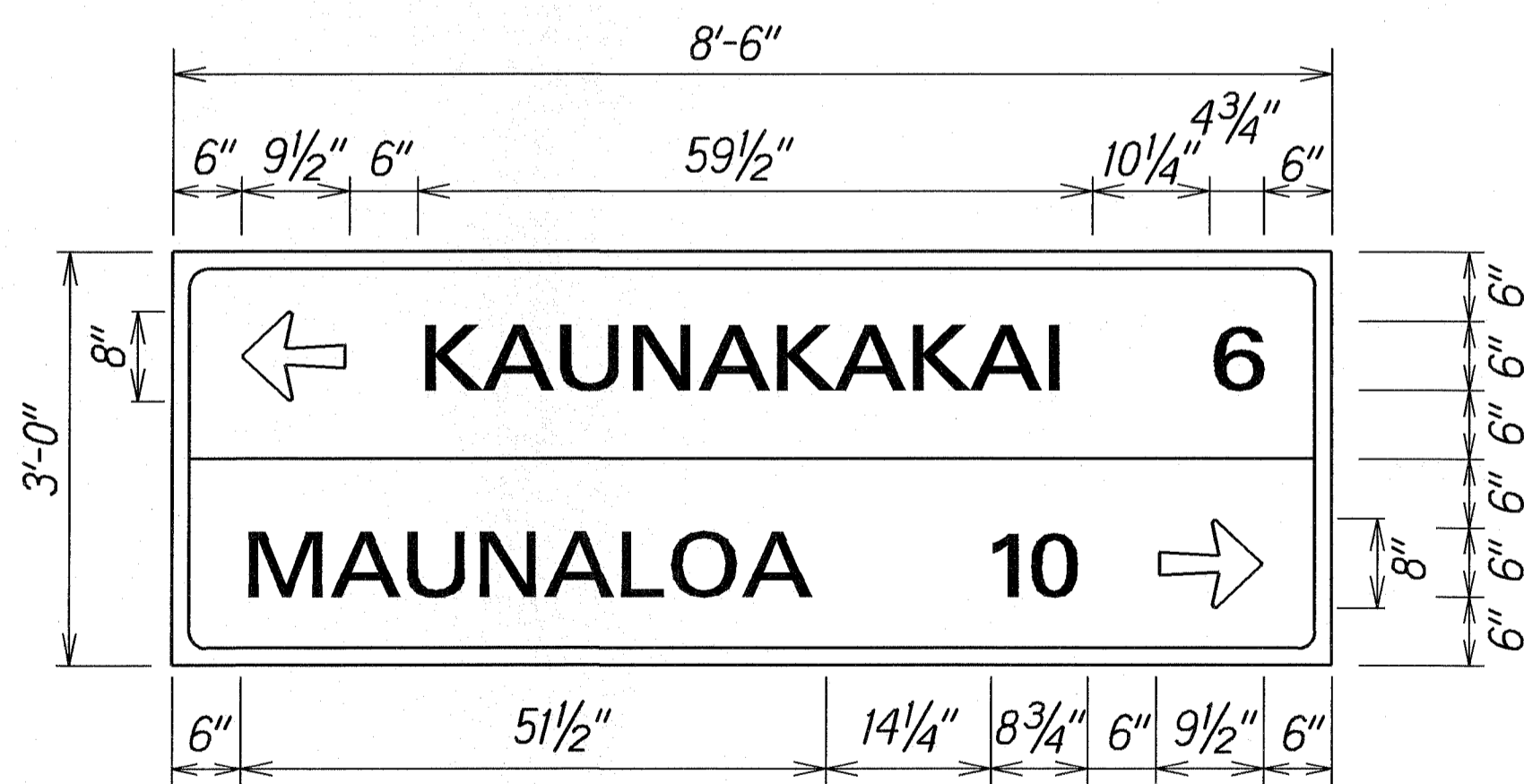
D-1  
Not To Scale



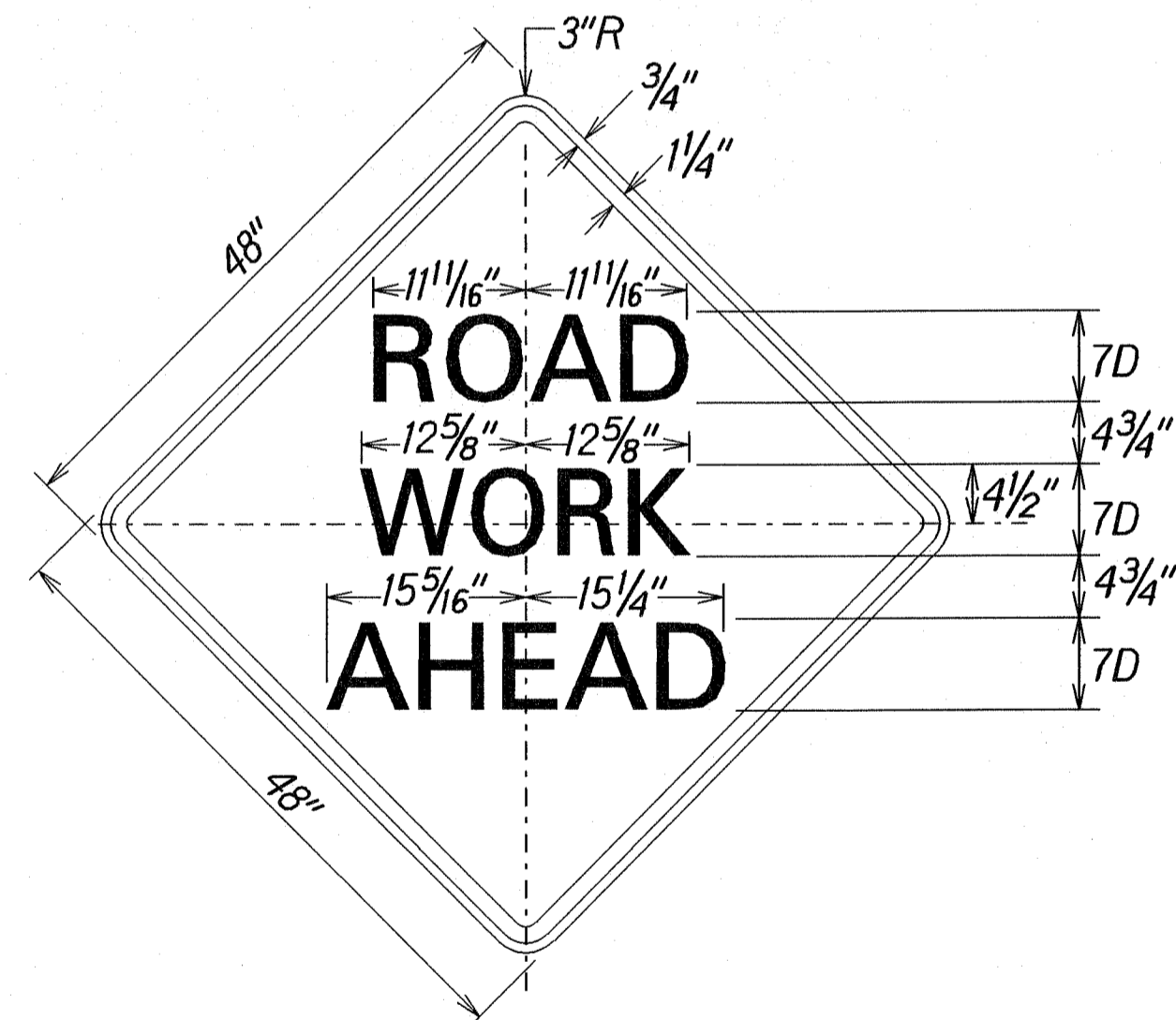
D-2  
Not To Scale



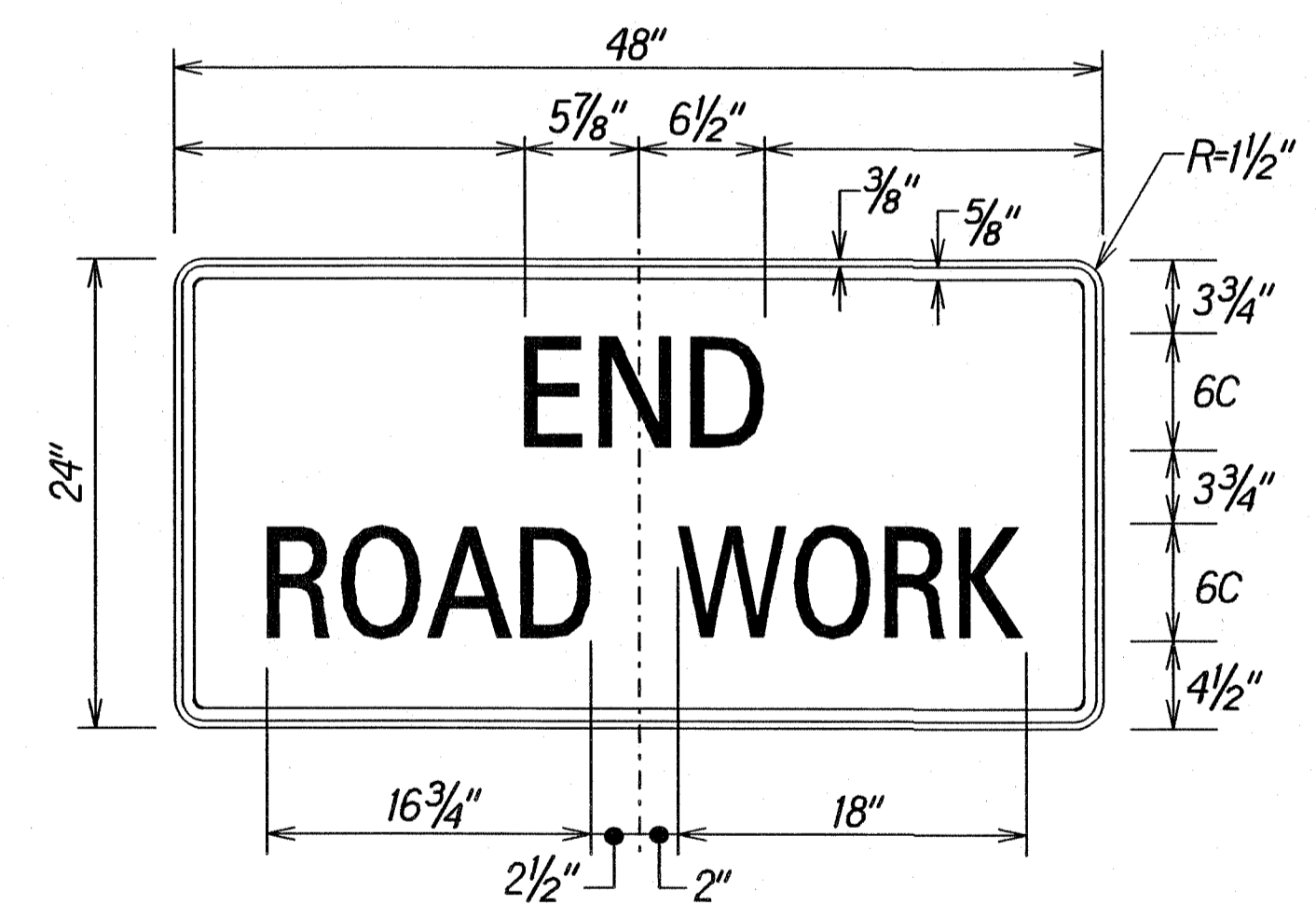
D-3  
Not To Scale



D-4  
Not To Scale



CW20-1Ad  
Scale: 1" = 1'-0"  
Colors:  
Legend: Black (Non Refl)  
Background: Orange



CG20-2A  
Scale: 1/2" = 1'-0"  
Colors:  
Legend: Black (Non Refl)  
Background: Orange (Refl)

### GENERAL NOTES

- The contractor shall verify the locations of existing Signs.
- Letter Size shall be series "E".
- All signs shall conform to Section 621 of the Special Provisions and the latest editions and amendments of the following FHWA publications:
  - "Manual on Uniform Traffic Control Devices for Streets and Highways" (MUTCD)
  - "Standard Highway Signs"
  - "Standard Alphabets for Highway Signs"
- Borders, messages, arrows, symbols and shield conform to details as shown on the plans and as specified in the MUTCD.
- Signs messages shall be as indicated on the plans.
- All panels shall be reflectorized in accordance with Section 712.20 of the Standard Specifications. Minimum width of panels shall be 2 feet. Abutting edges of panels shall be in only one direction if vertical abutting edges are used, no horizontal abutting edges shall be allowed and vice versa.
- Contractor shall submit all sign splicing details to the Engineer for approval. All backing for signs 4 feet by 6 feet or less shall be of one sheet.
- Concrete for destination sign foundations shall be Class A.

DATE: \_\_\_\_\_  
 SURVEY PLOTTED BY: \_\_\_\_\_  
 DRAWN BY: \_\_\_\_\_  
 TRACED BY: \_\_\_\_\_  
 DESIGNED BY: \_\_\_\_\_  
 CHECKED BY: \_\_\_\_\_  
 ORIGINAL PLAN \_\_\_\_\_  
 NOTE BOOK \_\_\_\_\_  
 No. \_\_\_\_\_

STATE OF HAWAII  
 DEPARTMENT OF TRANSPORTATION  
 HIGHWAYS DIVISION

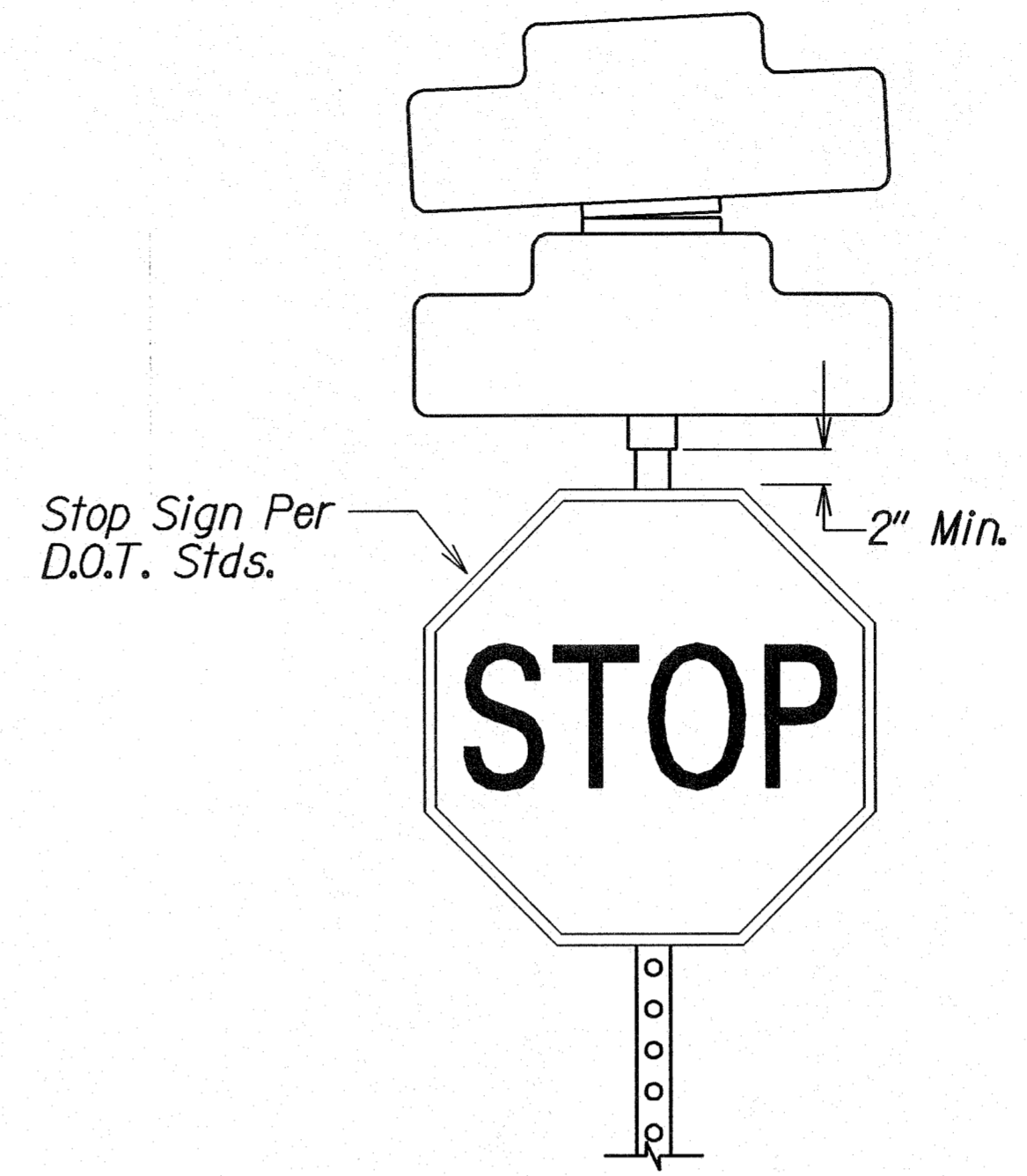
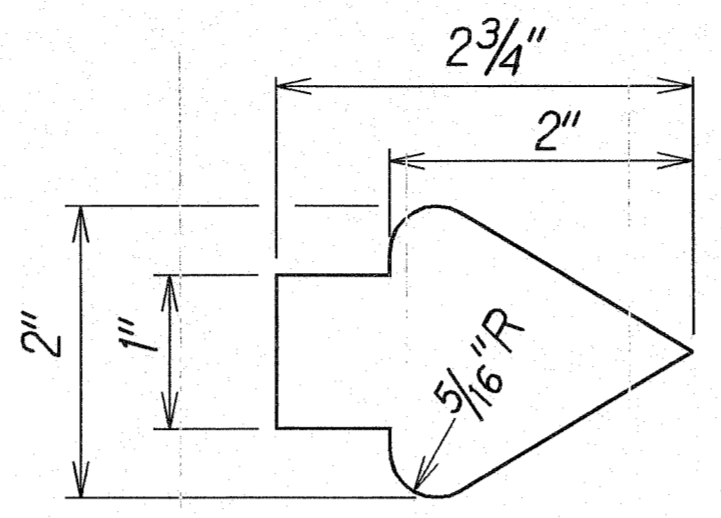
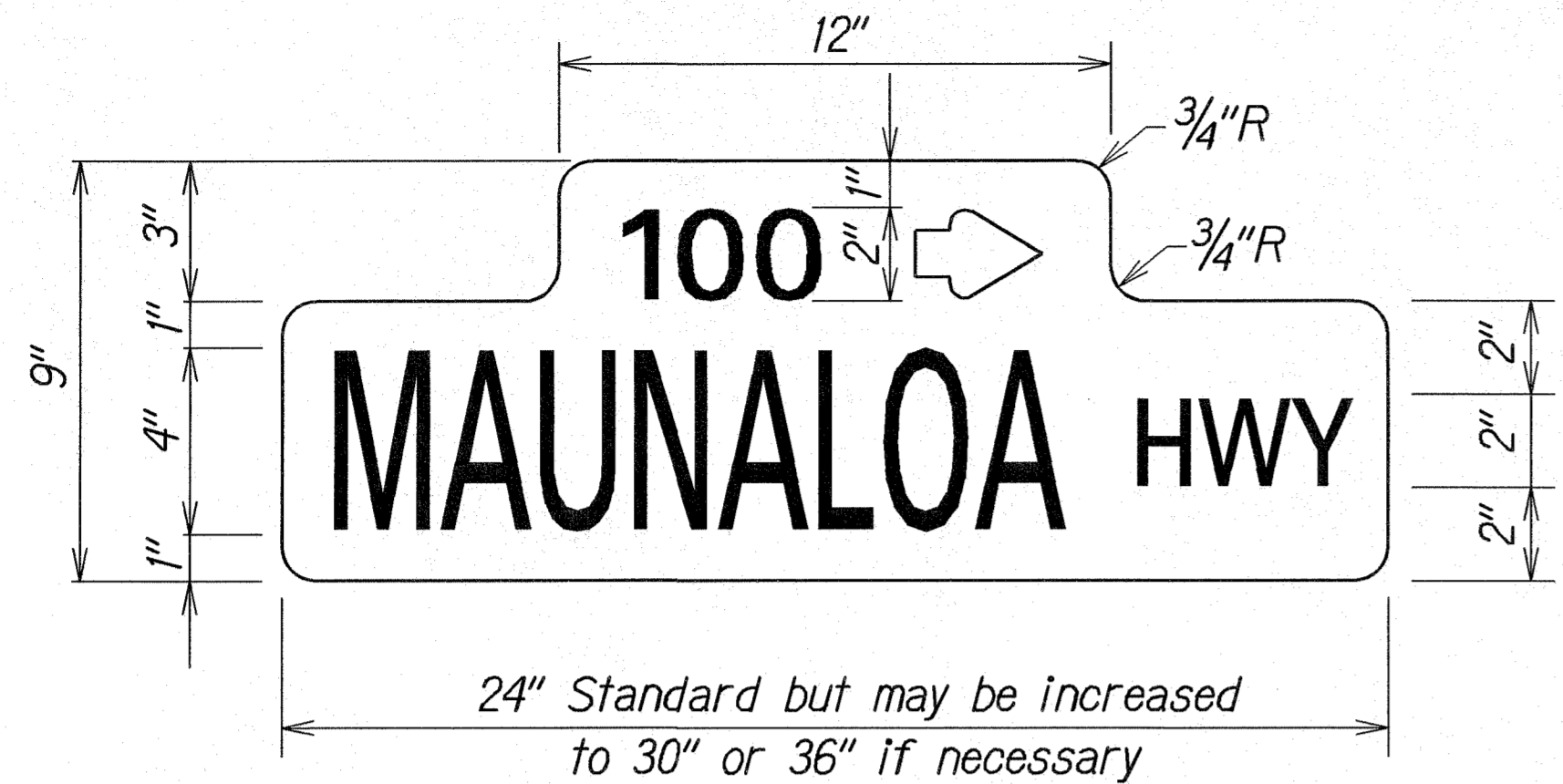
### SIGN PANEL LAYOUT & NOTES

**MAUNALOA HIGHWAY RESURFACING**  
 Hoolehua to Vicinity of Keonelele Avenue  
 Federal-Aid Project No. ARR-0460(14)

Scale: As Shown      Date: February, 2009

SHEET No. 1 OF 2 SHEETS

FED. ROAD DIST. NO.	STATE	FED. AID PROJ. NO.	FISCAL YEAR	SHEET NO.	TOTAL SHEETS
HAWAII	HAW.	ARR-0460(14)	2009	21	26



**NOTES:**

1. Remove existing Street Name/Stop signs and posts. Replace with new Street Name/Stop signs and posts. Return all Street Name signs to the Traffic Signs and Marking Section, County's Molokai Baseyard.
2. All signs shall be high intensity reflective and shall conform with State Standard Plans TE-01 through TE-04.
3. Refer to DPW Standard Detail TE-14 for design of Standard Street Name sign with Blocking Numbering.
4. Refer to DPW Standard Detail TE-11 for installation of Street Name on Stop sign.

STANDARD STREET NAME SIGN  
Not To Scale

**NOTES:**

1. The exact sign location will be designated by the Engineer.
2. 2" Letters shall be used for St., Dr., Hwy., Rd., Etc.
3. Street Numbering to be designated by the Department Of Public Works.

STREET NAME SIGN DETAIL  
Not To Scale

ORIGINAL PLAN	DATE
SURVEY PLOTTED BY	
DRAWN BY	
DESIGNED BY	
QUANTITIES BY	
CHECKED BY	

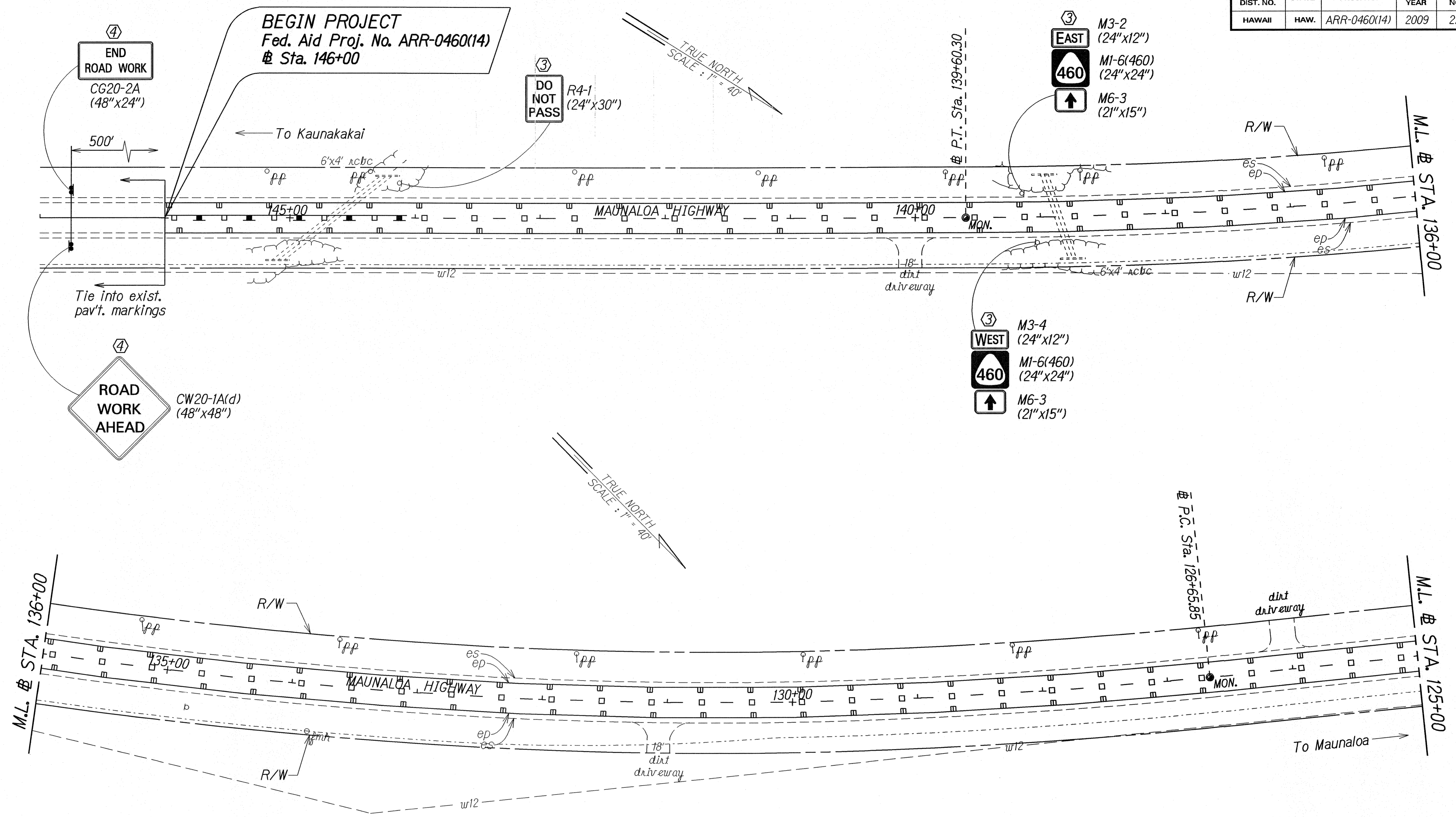
STATE OF HAWAII  
DEPARTMENT OF TRANSPORTATION  
HIGHWAYS DIVISION

**SIGN PANEL LAYOUT & NOTES**

MAUNALOA HIGHWAY RESURFACING  
Hoolehua to Vicinity of Keonelele Avenue  
Federal-Aid Project No. ARR-0460(14)

Scale: As Shown Date: February, 2009

FED. ROAD DIST. NO.	STATE	FED. AID PROJ. NO.	FISCAL YEAR	SHEET NO.	TOTAL SHEETS
HAWAII	HAW.	ARR-0460(14)	2009	22	26



④  
END ROAD WORK  
CG20-2A  
(48"x24")

BEGIN PROJECT  
Fed. Aid Proj. No. ARR-0460(14)  
@ Sta. 146+00

③  
DO NOT PASS  
R4-1  
(24"x30")

③  
EAST  
M3-2  
(24"x12")  
M1-6(460)  
(24"x24")  
M6-3  
(21"x15")

④  
ROAD WORK AHEAD  
CW20-1A(d)  
(48"x48")

③  
WEST  
M3-4  
(24"x12")  
M1-6(460)  
(24"x24")  
M6-3  
(21"x15")

ORIGINAL PLAN	DATE
SURVEY PLOTTED BY	
DRAWN BY	
DESIGNED BY	
CHECKED BY	
NOTE BOOK	
DATE	
CHECKED BY	

- KEY:
- ① Exist. Sign(s) & Post(s) to Remain
  - ② Remove Exist. Sign(s) & Post(s)
  - ③ Remove Exist. & Install New Sign(s) & Post(s)
  - ④ Install New Sign(s) & Post(s)

STATE OF HAWAII  
DEPARTMENT OF TRANSPORTATION  
HIGHWAYS DIVISION

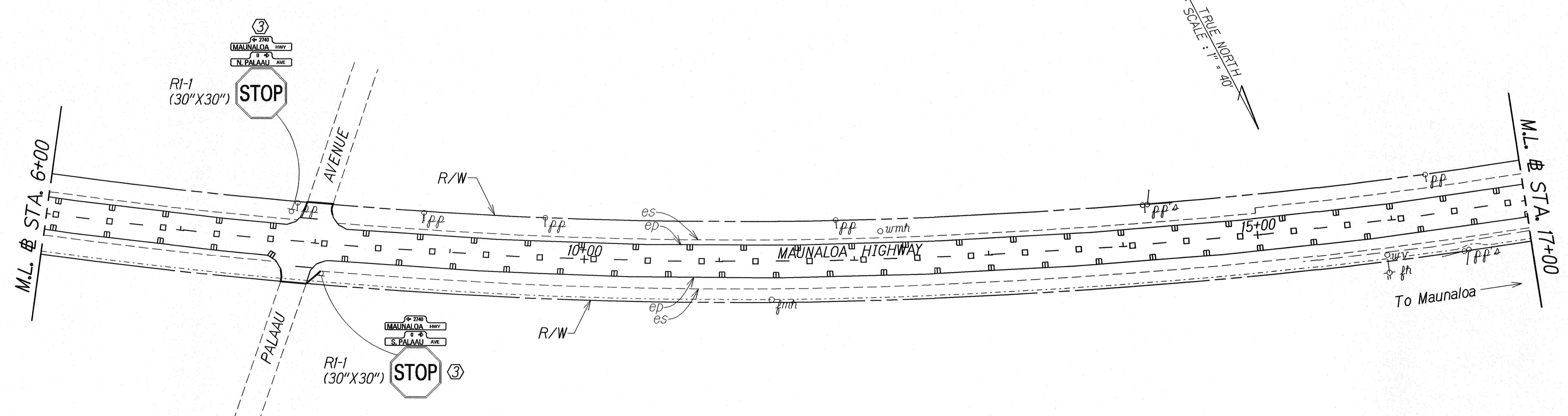
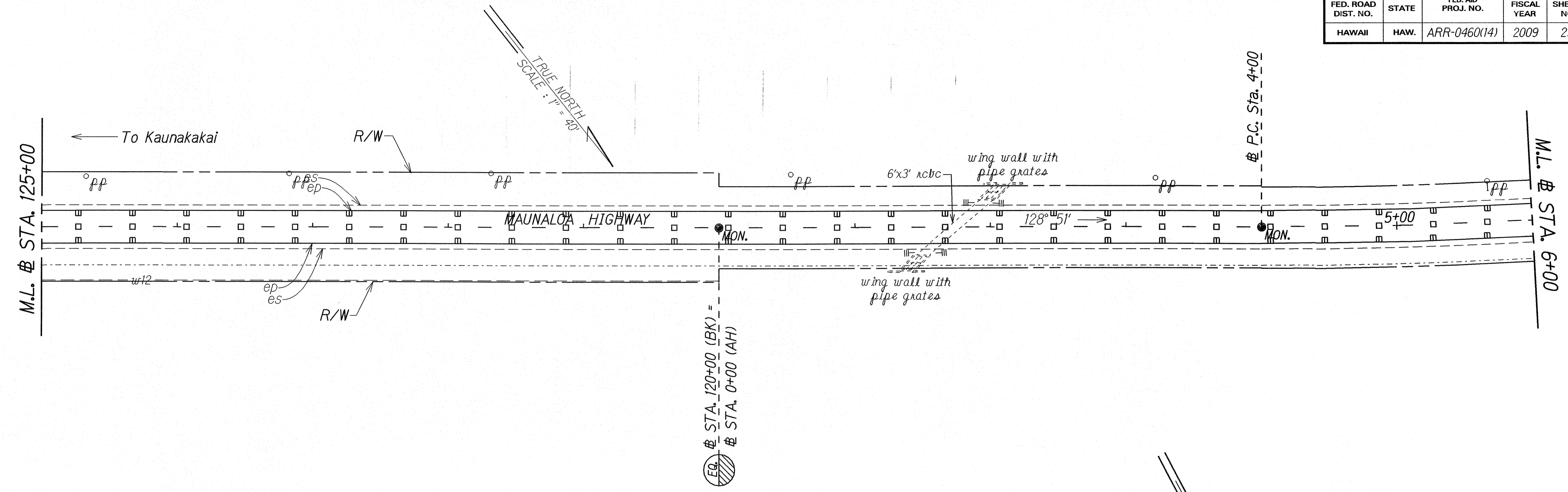
**SIGNING & PAVEMENT MARKING PLAN**

MAUNALOA HIGHWAY RESURFACING  
Hoolehua to Vicinity of Keonelele Avenue  
Federal-Aid Project No. ARR-0460(14)

Scale: 1" = 40'      Date: February, 2009

SHEET No. 1 OF 5 SHEETS

FED. ROAD DIST. NO.	STATE	FED. AID PROJ. NO.	FISCAL YEAR	SHEET NO.	TOTAL SHEETS
HAWAII	HAW.	ARR-0460(14)	2009	23	26



ORIGINAL PLAN	SURVEY PLOTTED BY	DATE
DESIGNED BY	DRAWN BY	
CHECKED BY	DESIGNED BY	
	CHECKED BY	

- KEY:**
- ① Exist. Sign(s) & Post(s) to Remain
  - ② Remove Exist. Sign(s) & Post(s)
  - ③ Remove Exist. & Install New Sign(s) & Post(s)
  - ④ Install New Sign(s) & Post(s)

STATE OF HAWAII  
DEPARTMENT OF TRANSPORTATION  
HIGHWAYS DIVISION

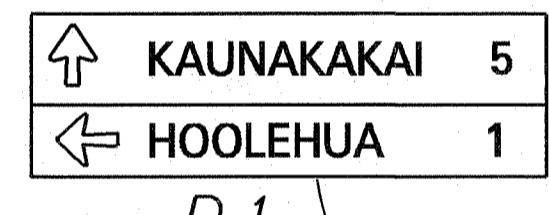
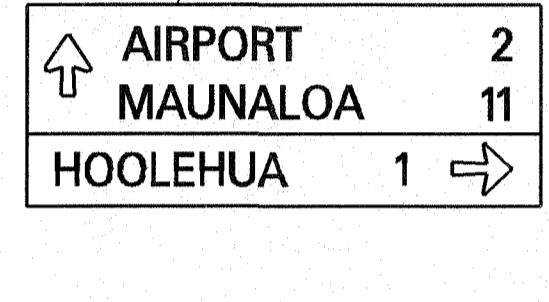
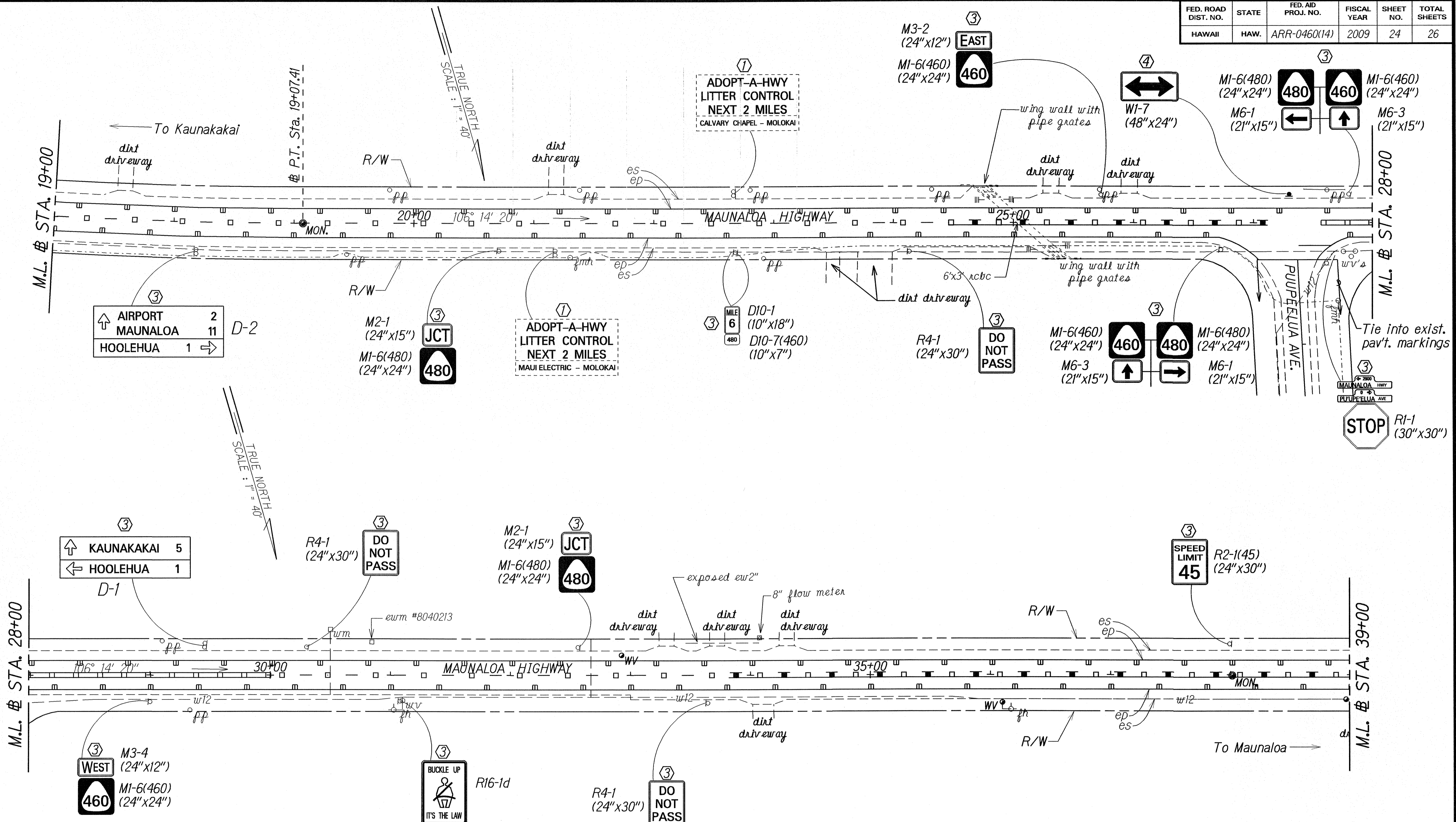
**SIGNING & PAVEMENT  
MARKING PLAN**

**MAUNALOA HIGHWAY RESURFACING  
Hoolehua to Vicinity of Keonelele Avenue**

Federal-Aid Project No. ARR-0460(14)

Scale: 1" = 40'      Date: February, 2009

FED. ROAD DIST. NO.	STATE	FED. AID PROJ. NO.	FISCAL YEAR	SHEET NO.	TOTAL SHEETS
HAWAII	HAW.	ARR-0460(14)	2009	24	26



SURVEY PLOTTED BY	DATE
DRAWN BY	
DESIGNED BY	
CHECKED BY	
ORIGINAL PLAN	
NOTE BOOK	
DATE	
CHECKED BY	

- KEY:**
- ① Exist. Sign(s) & Post(s) to Remain
  - ② Remove Exist. Sign(s) & Post(s)
  - ③ Remove Exist. & Install New Sign(s) & Post(s)
  - ④ Install New Sign(s) & Post(s)

STATE OF HAWAII  
DEPARTMENT OF TRANSPORTATION  
HIGHWAYS DIVISION

**SIGNING & PAVEMENT  
MARKING PLAN**

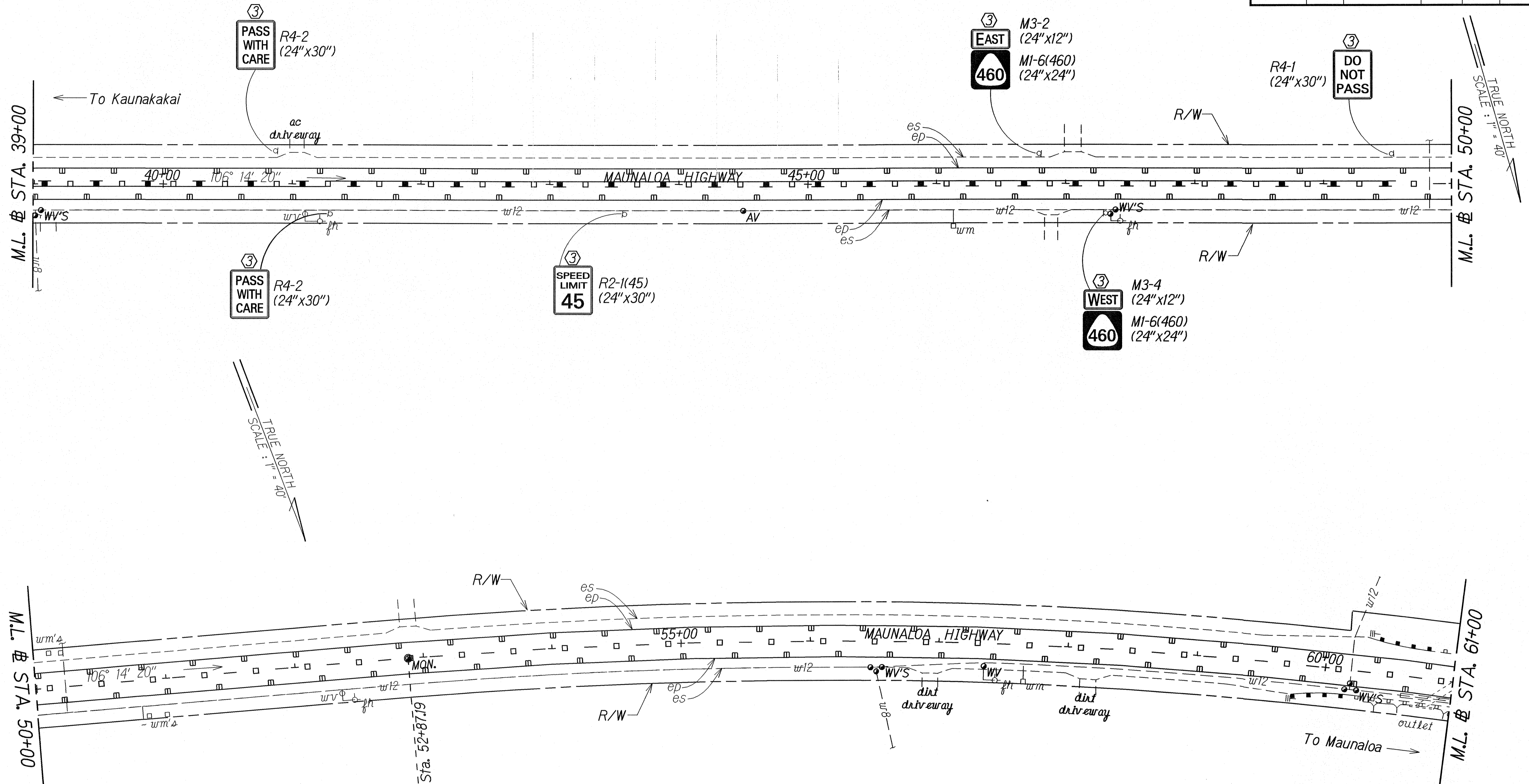
**MAUNALOA HIGHWAY RESURFACING  
Hoolehua to Vicinity of Keonelele Avenue**

Federal-Aid Project No. ARR-0460(14)

Scale: 1" = 40'      Date: February, 2009

SHEET No. 3 OF 5 SHEETS

FED. ROAD DIST. NO.	STATE	FED. AID PROJ. NO.	FISCAL YEAR	SHEET NO.	TOTAL SHEETS
HAWAII	HAW.	ARR-0460(14)	2009	25	26



DATE	
SURVEY PLOTTED BY	
DRAWN BY	
TRACED BY	
DESIGNED BY	
CHECKED BY	
ORIGINAL PLAN	
NOTE BOOK	
S. No.	

- KEY:**
- ① Exist. Sign(s) & Post(s) to Remain
  - ② Remove Exist. Sign(s) & Post(s)
  - ③ Remove Exist. & Install New Sign(s) & Post(s)
  - ④ Install New Sign(s) & Post(s)

STATE OF HAWAII  
DEPARTMENT OF TRANSPORTATION  
HIGHWAYS DIVISION

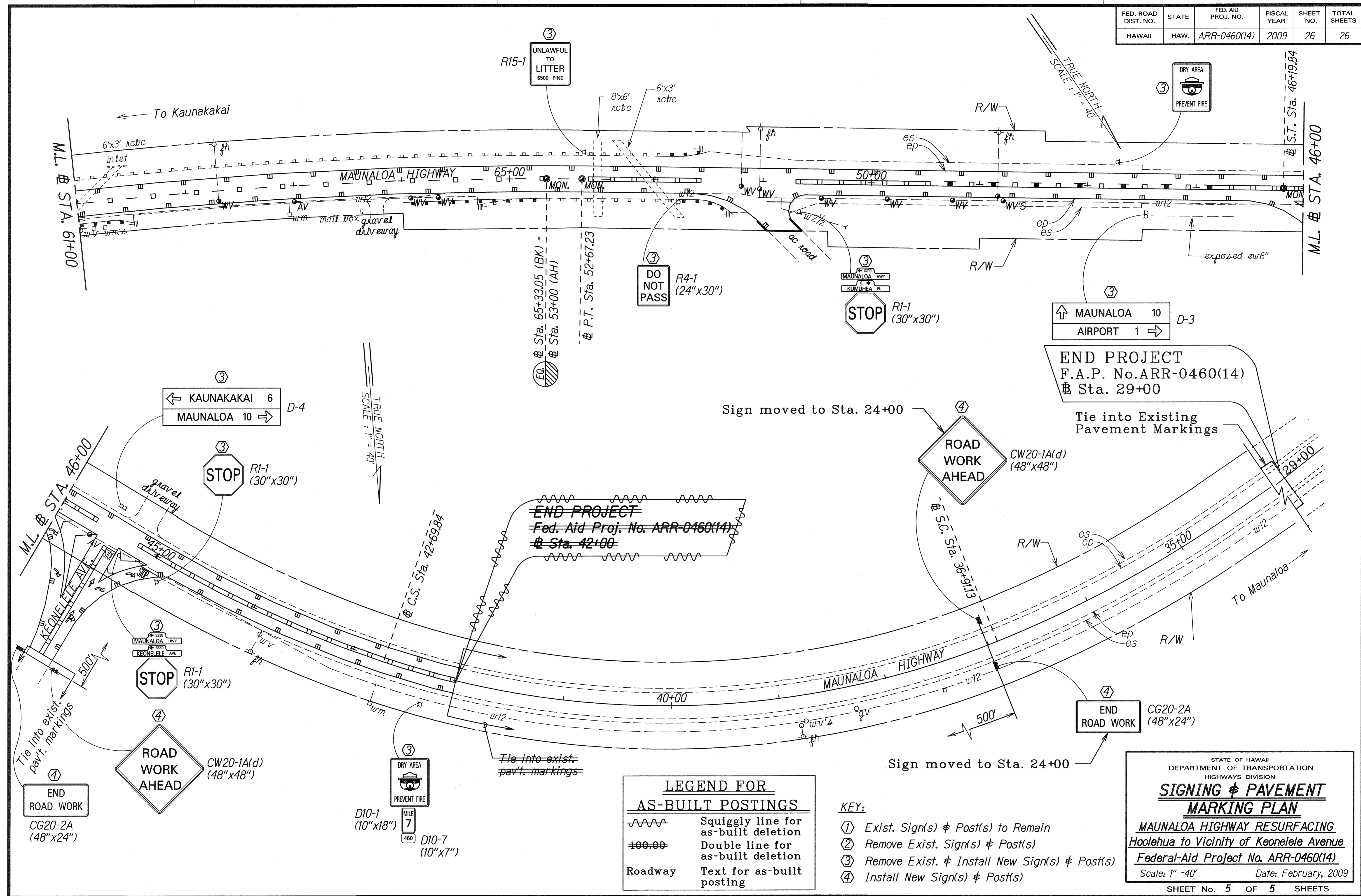
**SIGNING & PAVEMENT  
MARKING PLAN**

**MAUNALOA HIGHWAY RESURFACING  
Hoolehua to Vicinity of Keonelele Avenue  
Federal-Aid Project No. ARR-0460(14)**

Scale: 1" = 40'      Date: February, 2009

SHEET No. 4 OF 5 SHEETS

FED. ROAD DIST. NO.	STATE	FED. AID PROJ. NO.	FISCAL YEAR	SHEET NO.	TOTAL SHEETS
HAWAII	HAW.	ARR-0460(14)	2009	26	26



DESIGNED BY	DATE
DRAWN BY	
TRACED BY	
NOTED BY	
CHECKED BY	
ORIGINAL PLAN	
NO. BOOK	
NO. SHEET	

LEGEND FOR AS-BUILT POSTINGS	
	Squiggly line for as-built deletion
	Double line for as-built deletion
	Text for as-built posting

- KEY:**
- ① Exist. Sign(s) & Post(s) to Remain
  - ② Remove Exist. Sign(s) & Post(s)
  - ③ Remove Exist. & Install New Sign(s) & Post(s)
  - ④ Install New Sign(s) & Post(s)

STATE OF HAWAII  
DEPARTMENT OF TRANSPORTATION  
HIGHWAYS DIVISION

**SIGNING & PAVEMENT MARKING PLAN**

**MAUNALOA HIGHWAY RESURFACING**  
Hoolehua to Vicinity of Keonelele Avenue  
Federal-Aid Project No. ARR-0460(14)

Scale: 1" = 40' Date: February, 2009

SHEET No. 5 OF 5 SHEETS

"AS-BUILT"