

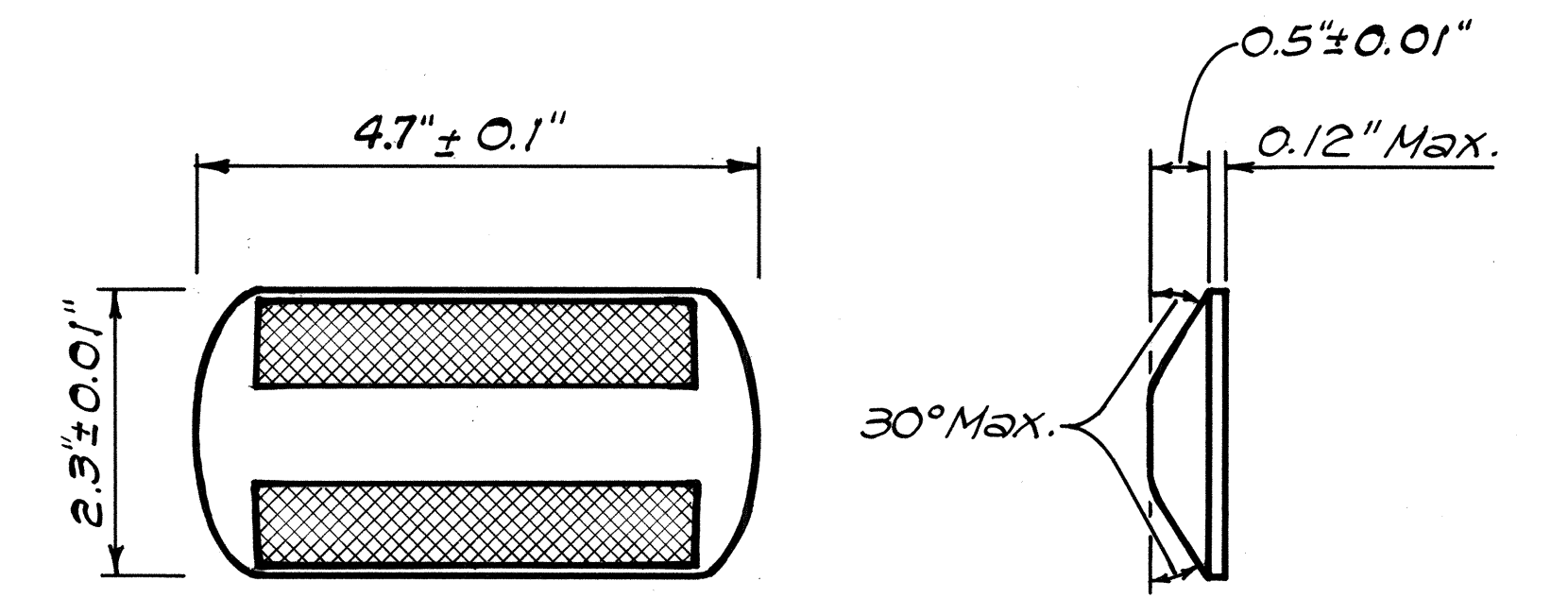
FED. ROAD DIST. NO.	STATE	FED. AID PROJ. NO.	FISCAL YEAR	SHEET NO.	TOTAL SHEETS
HAWAII	HAW.	RS-0460(B)	1987	15	16

LEGEND

- 4 each Type A Raised Pavement Markers
Type CL Raised Pavement Markers @ 40'-0" o.c.
- 4 each Type J Raised Pavement Markers
Type DL Raised Pavement Markers @ 40'-0" o.c.
- 8" White Stripe with Type CL Raised Pavement Markers @ 20'-0" o.c.
- 4" Double Solid Yellow Stripes with Type DL Raised Pavement Markers @ 20'-0" o.c.
- 4" Double Solid Yellow Stripes with Type HL Raised Pavement Markers @ 20'-0" o.c.
- 4" Yellow Edge Stripe with Type HL Raised Pavement Markers @ 40'-0" o.c.
- 4" Double Solid White Stripes with Type CL Raised Pavement Markers @ 20'-0" o.c.
- Lane Change Restriction Marking
4 each Type A Raised Pavement Markers
Type CL Raised Pavement Markers @ 20'-0" o.c.
4" White Stripe
- 4" White Edge Stripe
- 4" White Guide Lines
- Transverse Median Marking
- Transverse Shoulder Marking
- Channelizing Island or Deceleration Lane Gore
- Crosswalk and Stop Line. All Stop Lines shall be 10'-0" from Crosswalk unless otherwise noted. The circled number indicates the number of lanes for payment.
- Pavement Arrow
- STOP Pavement Word

NOTES

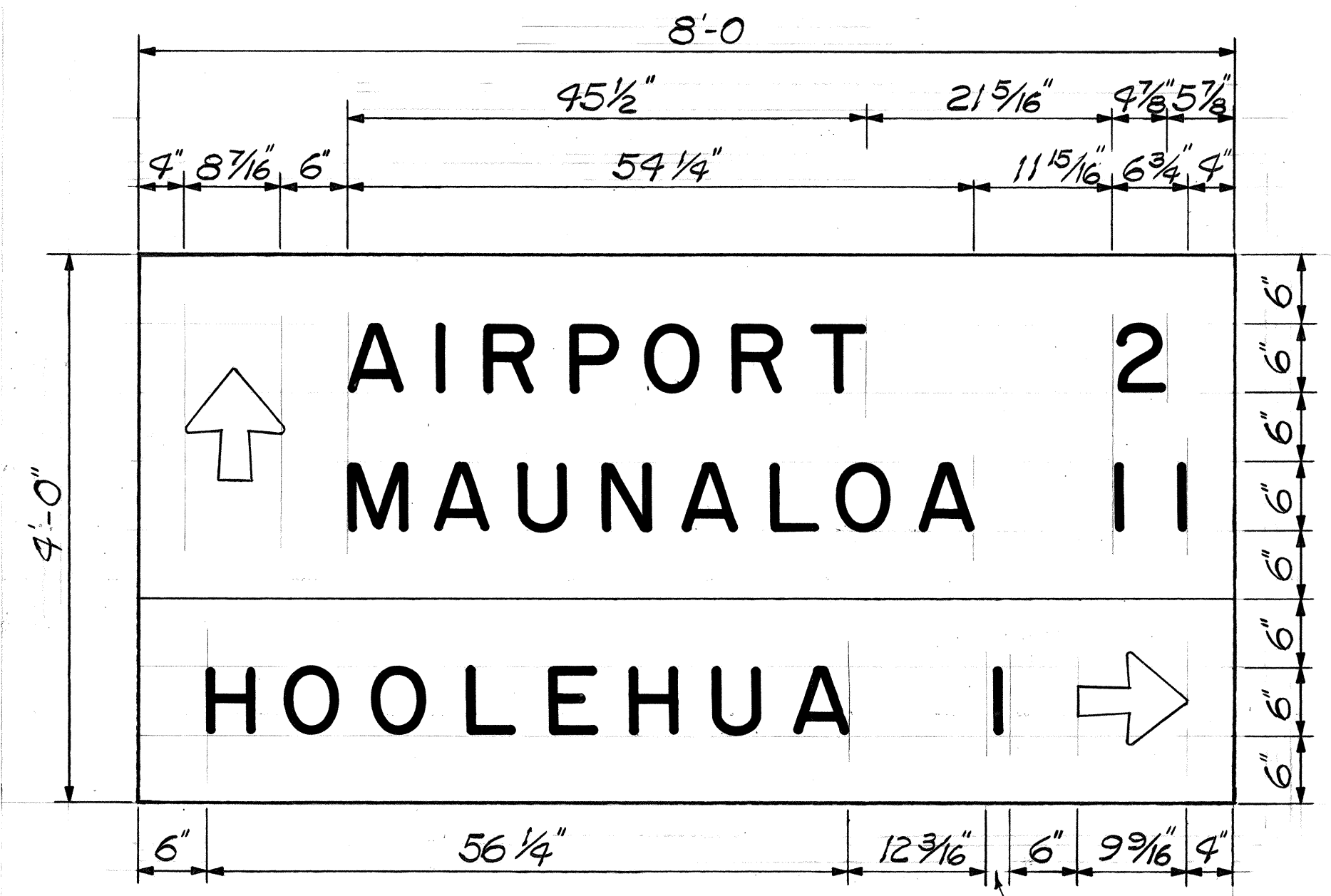
1. Layout of pavement markings and striping shall be done by the Contractor and approved by the Engineer prior to any installation work.
2. Existing pavement markings not incorporated in the final traffic pattern shall be removed as directed by the Engineer. Costs shall be incidental to the various pavement marking items.
3. Raised pavement markers shall not be installed within crosswalks.
4. Details of Type C, Type D and Type H Markers on Standard Plan Nos. TE-30, TE-31 and TE-32 shall be deleted and replaced with details of Type CL, Type DL and Type HL Markers as shown on this sheet. All references to Type C, Type D and Type H Markers in the plans shall mean Type CL, Type DL and Type HL Markers.
5. Final locations of all signs shall be approved by the Engineer prior to any installation work.



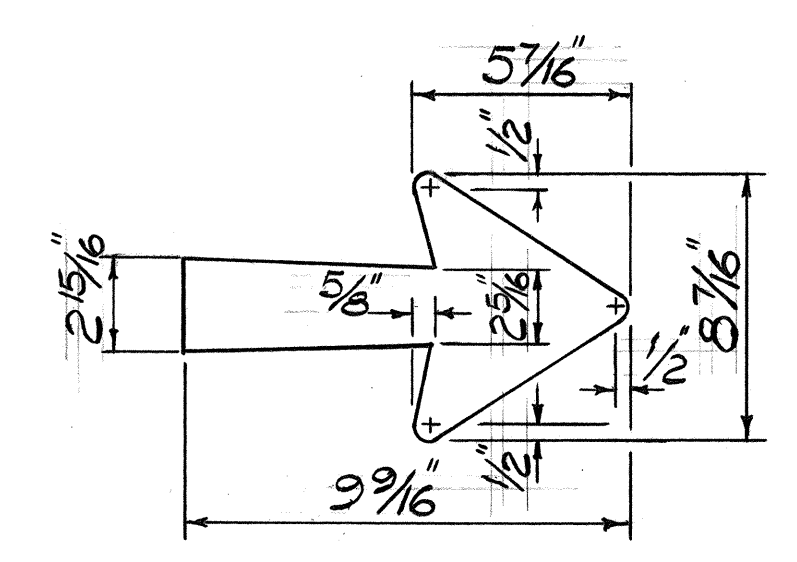
TYPE CL
Red-Clear Reflective Marker
or
TYPE DL
Two-Way Yellow Reflective Marker
or
TYPE HL
One-Way Yellow Reflective Marker
Not to Scale

SIGN NOTES

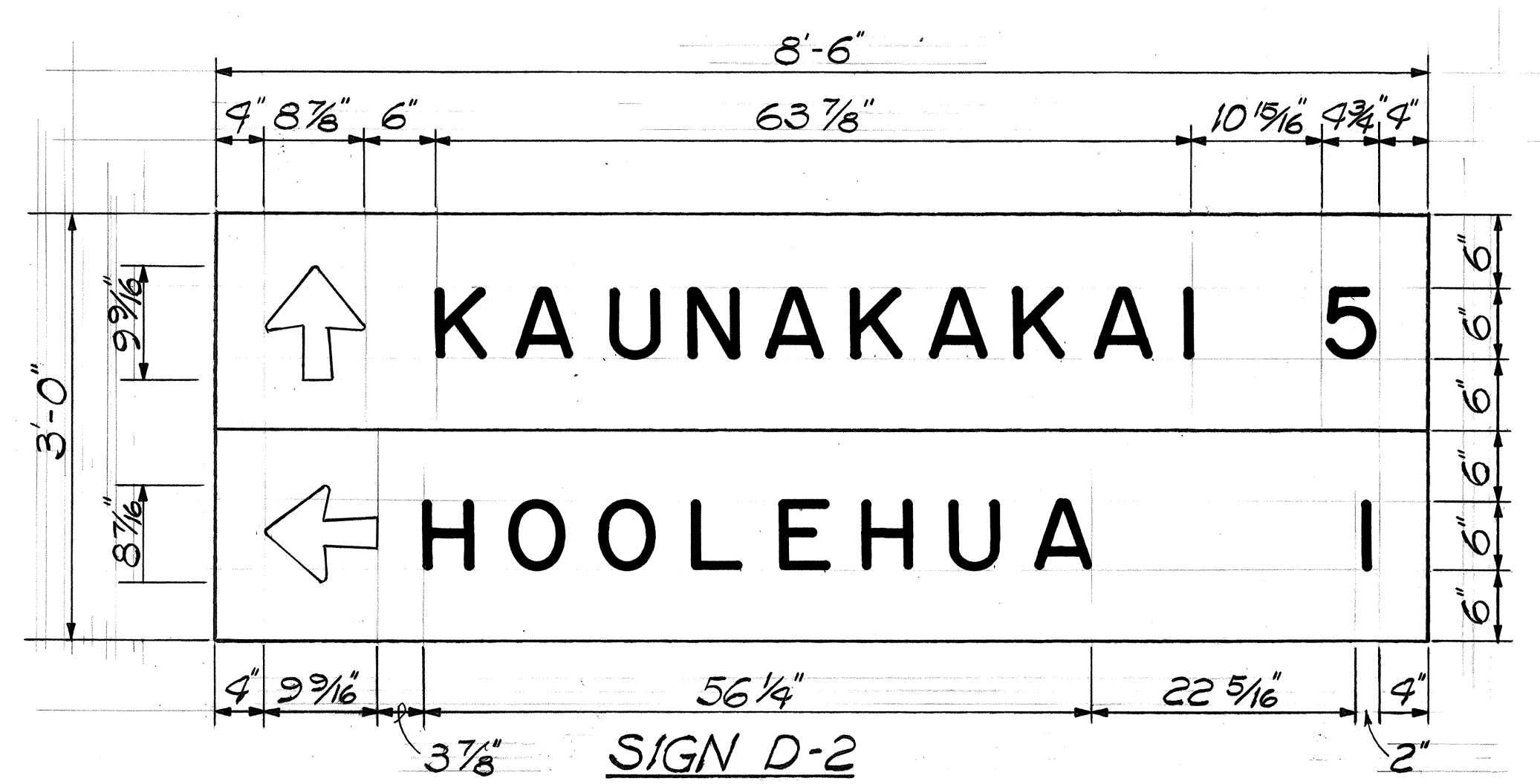
1. Sign message shall be lettered in upper case according to "Standard Alphabets for Highway Signs" Bureau of Public Roads, 1966. Use Series "E" letters and numerals unless otherwise noted.
2. Arrows shall conform with details as shown on Standard Plan TE-14.
3. All borders shall conform with details as shown on Standard Plan TE-14.
4. Letter to be white on green reflectorized background.



SIGN D-1



TYPICAL ARROW DETAIL



SIGN D-2

SURVEY PLOTTED BY	DATE
DRAWN BY	
TRACED BY	
QUANTITIES BY	
CHECKED BY	
ORIGINAL PLAN	
NOTE BOOK	
NO.	

STATE OF HAWAII
DEPARTMENT OF TRANSPORTATION
HIGHWAYS DIVISION

**SIGNING AND MARKING
LEGEND, NOTES & DETAILS**

MAUNALOHA HWY. RESURFACING
Vicinity of Puupeelee Ave. towards Airport
F.A.P. NO. RS-0460(B)
Scale: As Shown Date: Apr., 1987

SHEET No. 1 OF 2 SHEETS

FED. ROAD DIST. NO.	STATE	FED. AID PROJ. NO.	FISCAL YEAR	SHEET NO.	TOTAL SHEETS
HAWAII	HAW.	RS-0460(B)	1987	16	16

PAVEMENT STRIPING AND MARKER SUMMARY

☉ STATION		DESCRIPTION		STRIPING				PVMT. MARKERS		
FROM	TO	LEFT	RIGHT	☉ YELLOW		WHITE		TYPE DL	TYPE HL	TYPE J
				4" DOUBLE	4" SINGLE	4" SINGLE	12" SINGLE			
1+25	24+40	Passing	Passing			4,630		59		232
24+40	26+90	Passing	No Passing		250	500		8	8	28
26+90	27+30	Gap	Gap			90	18			
27+30	30+85	No Passing	No Passing	355		710		20		
30+85	40+40	Passing	No Passing		955	1910		25	25	96
40+40	41+40	No Passing	No Passing	100		200		6		
41+40	49+70	No Passing	Passing		830	1660		22	22	84
*49+70	*51+55	Passing	Passing			3416		44		172
TOTAL				455	2,035	13,116	18	184	55	612

* NOTE: Equation Station
 $\text{☉ Sta. } 65 + 65.82 = \text{☉ Sta. } 52 + 67.23$

RM-3 REFLECTOR MARKER WITH FLEXIBLE DELINEATOR POST

☉ STATION	LOCATION		☉ STATION	LOCATION	
	o/s LEFT	o/s RIGHT		o/s LEFT	o/s RIGHT
1+48	22'		60+42	28'	
1+61	22'		60+55		27'
1+96		22'	60+80		21'
2+10		22'	65+04		25'
24+68	22'		* 51+54		28'
24+82	22'		* 51+30	30'	
25+17		22'			
25+32		22'			

* NOTE: Equation Station
 $\text{☉ Sta. } 65 + 65.82 = \text{☉ Sta. } 52 + 67.23$

SURVEY PLOTTED BY _____ DATE _____
 DRAWN BY _____
 TRACED BY _____
 DESIGNED BY _____
 CHECKED BY _____
 ORIGINAL PLAN _____
 NOTE BOOK _____
 No. _____

STATE OF HAWAII
 DEPARTMENT OF TRANSPORTATION
 HIGHWAYS DIVISION
PAVEMENT STRIPING AND MARKER SUMMARY
 MAUNALOA HWY. RESURFACING
 Vicinity of Puupeeelua Ave. towards Airport
 F.A.P. NO. RS-0460(B)
 Date: April, 1987
 SHEET No. 2 OF 2 SHEETS