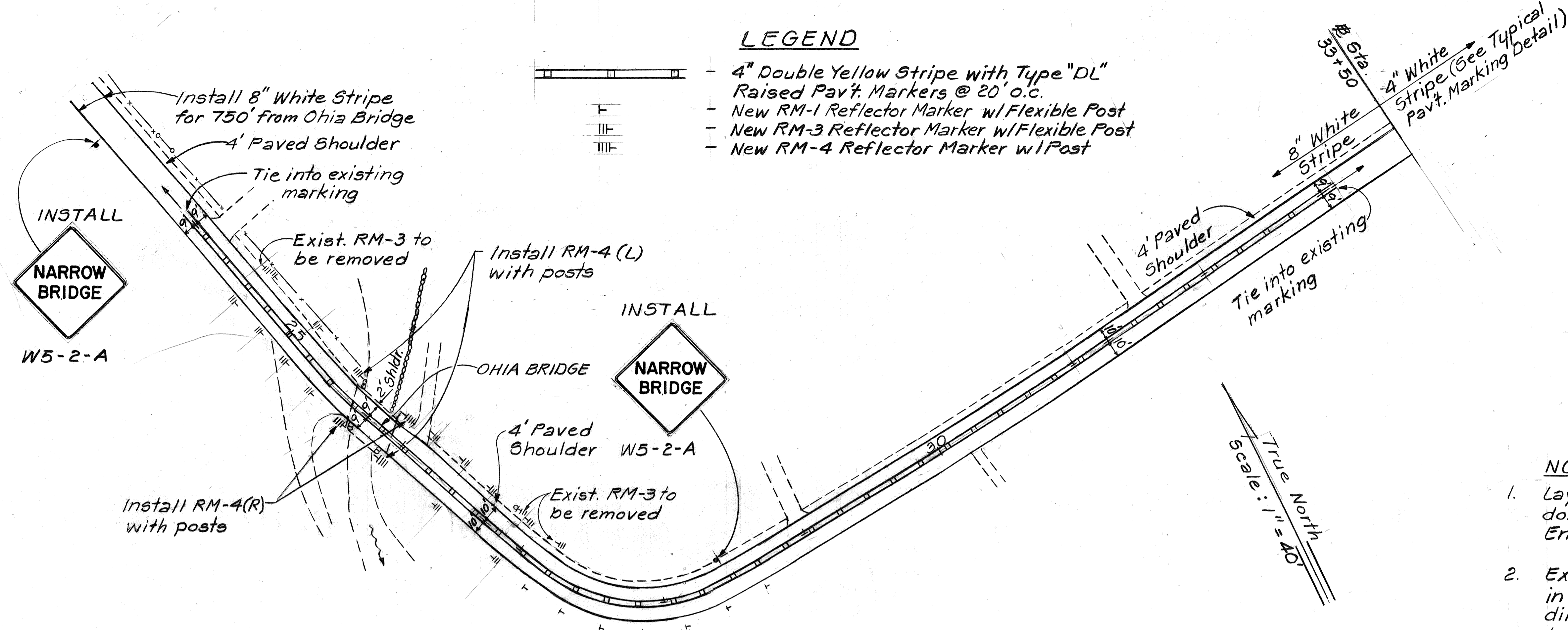


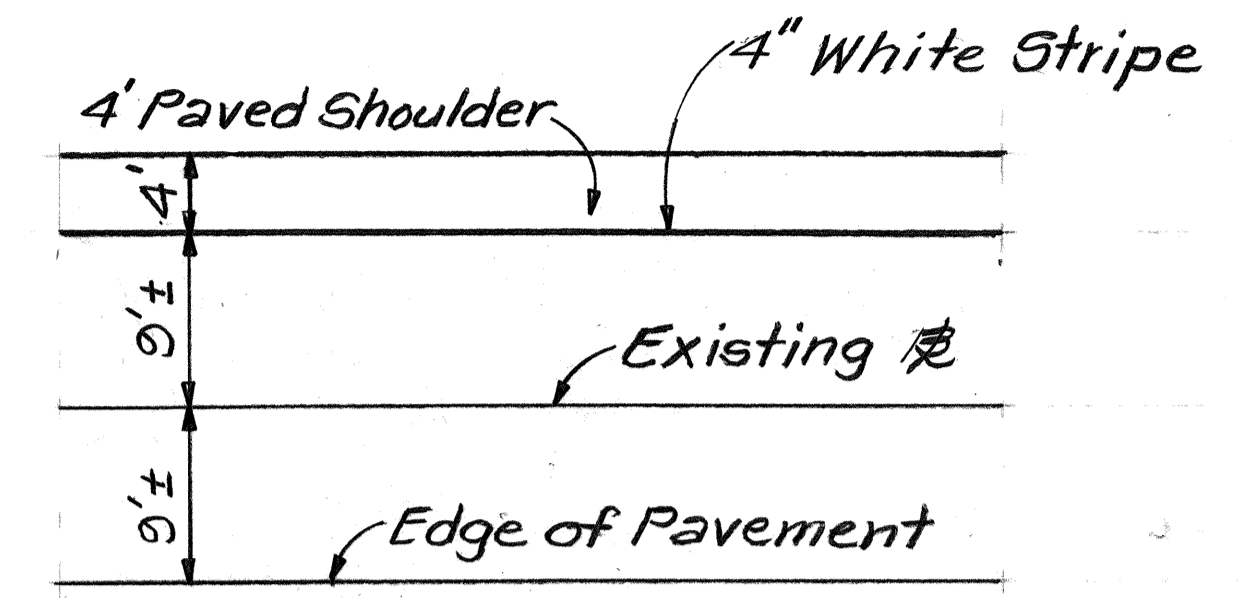
FED. ROAD DIST. NO.	STATE	PROJ. NO.	FISCAL YEAR	SHEET NO.	TOTAL SHEETS
HAWAII	HAW.	450B-02-88	1988	9	9

LEGEND

- 4" Double Yellow Stripe with Type "DL" Raised Pavt. Markers @ 20' o.c.
- New RM-1 Reflector Marker w/ Flexible Post
- New RM-3 Reflector Marker w/ Flexible Post
- New RM-4 Reflector Marker w/ Post



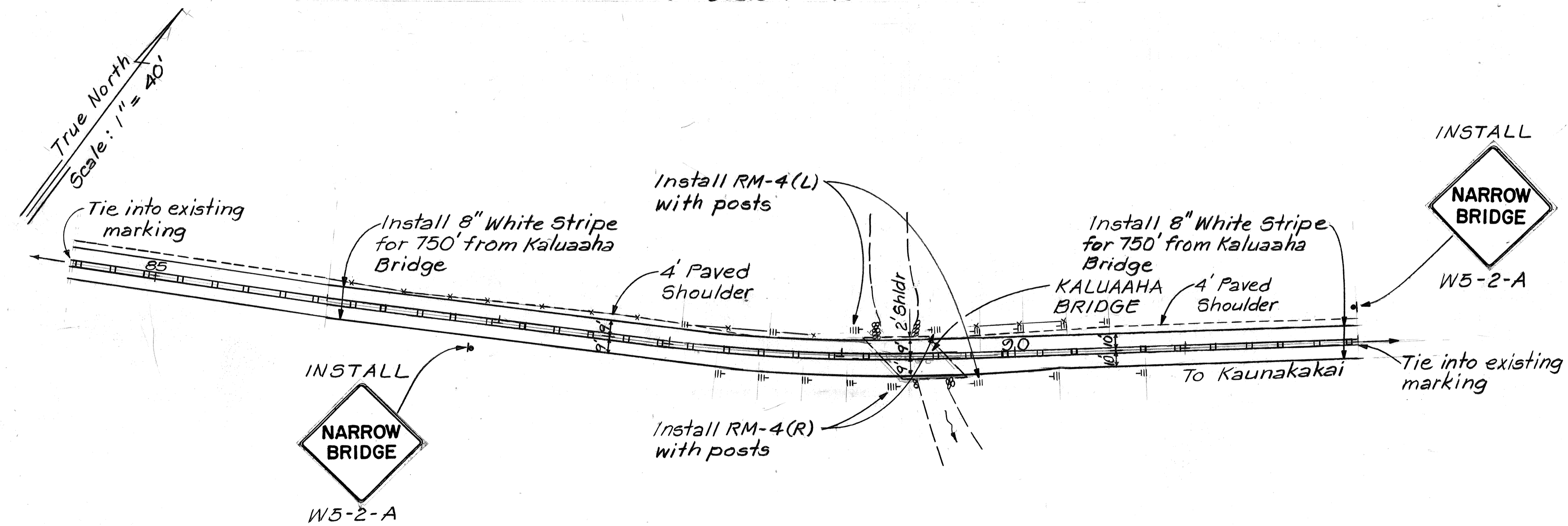
PAVEMENT MARKING AND SIGNING DETAILS AT OHIA BRIDGE
Scale: 1" = 40'



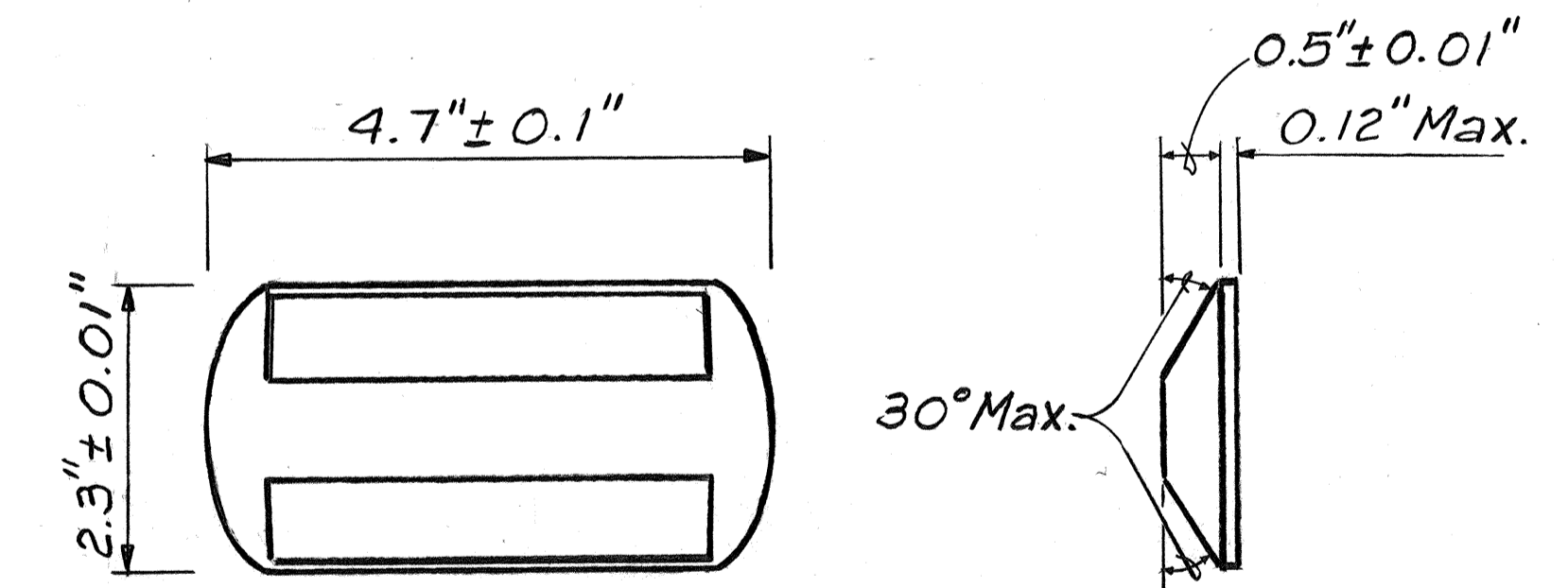
TYPICAL PAVEMENT MARKING DETAIL
Scale: 1" = 10'

NOTES:

1. Layout of pavement markings and striping shall be done by the Contractor and approved by the Engineer prior to any installation work.
2. Existing pavement markings not incorporated in the final traffic pattern shall be removed as directed by the Engineer. Costs shall be incidental to the various pavement marking items.
3. Details of Type C, Type D and Type H Markers on Standard Plan Nos. TE-30, TE-31 and TE-32 shall be deleted and replaced with details of Type DL Markers as shown on this sheet.
4. Final locations of all signs shall be approved by the Engineer prior to any installation work.



PAVEMENT MARKING AND SIGNING DETAILS AT KALUAHA BRIDGE
Scale: 1" = 40'



STATE OF HAWAII
DEPARTMENT OF TRANSPORTATION
HIGHWAYS DIVISION

PAVEMENT MARKING AND SIGNING PLAN

KAMEHAMEHA II HIGHWAY SHOULDER IMPROVEMENTS
Project No. 450B-02-88
Scale: As Shown Date: Oct, 1987
SHEET No. 1 OF 1 SHEETS

SURVEY PLOTTED BY	DATE
DRAWN BY	
DESIGNED BY	
CHECKED BY	
NO.	