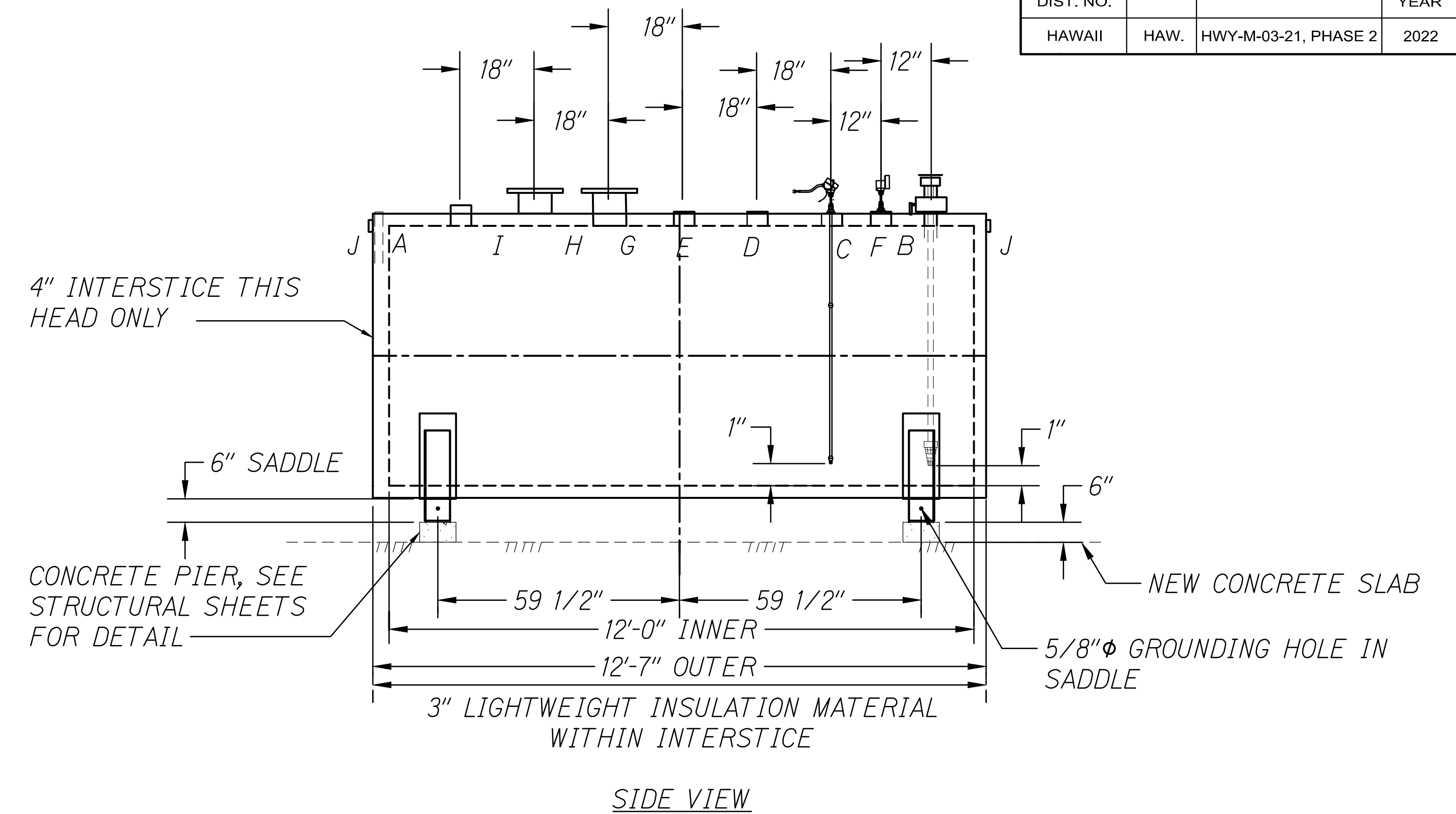
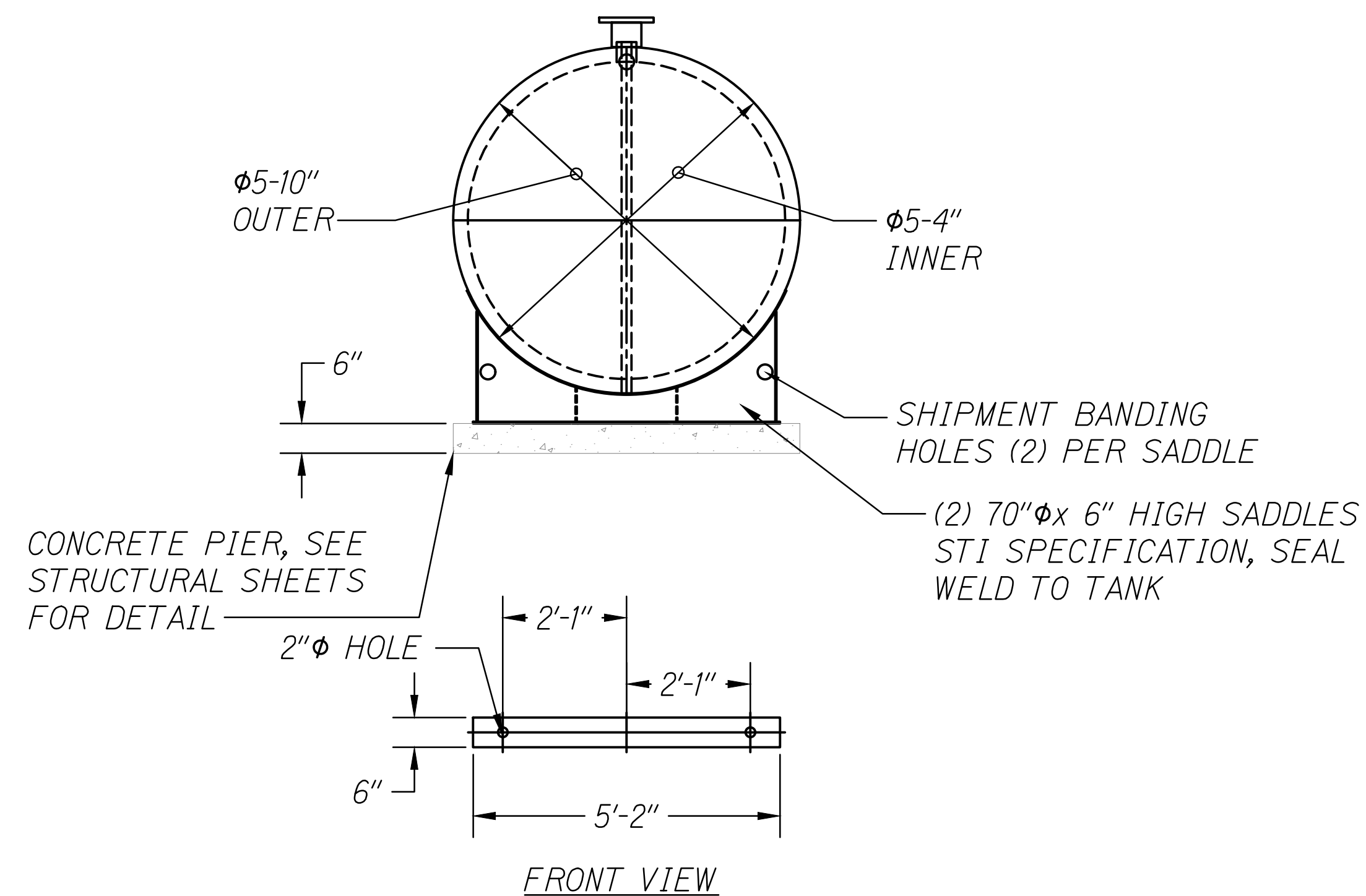


FED. ROAD DIST. NO.	STATE	PROJ. NO.	FISCAL YEAR	SHEET NO.	TOTAL SHEETS
HAWAII	HAW.	HWY-M-03-21, PHASE 2	2022	27	46



2,000 GALLON TANK DETAIL (GASOLINE)

SCALE: NOT TO SCALE



FITTING LEGEND		DESIGN DATA
A	2" MONITOR PIPE WITH MALE NPT END (INTERSTITIAL LEAK DETECTION PROBE)	CAPACITY : 2,000 GALLONS
B	1" (316 SSTL) 150# RFSO FLANGE W/ (316 SS) INTERNAL FLANGE ϕ 2" (316 SS) SCH. 40 DROP PIPE TO WITHIN 1" OF TANK BOTTOM AT FOOT VALVE. PROVIDE CAMLOCK AND 316 SSTL BALL VALVE AT TANK SHELL (WATER DRAW OFF).	TYPE: FIREGUARD® CYLINDRICAL
C	4" FEMALE FG COUPLING FOR ELECTRICAL FUEL LEVEL GAUGE. CONNECT GAUGE TO CONTROL PANEL	FIREGUARD® IS A TRADEMARK OF THE STEEL TANK INSTITUTE
D	2" FUEL SUPPLY.	OPERATING PRESSURE - ATMOSPHERIC
E	2" FUEL FILL	SPECIFIC GRAVITY - 1.0
F	MECHANICAL FUEL LEVEL CLOCK GAUGE	TANK MATERIAL - 316 STAINLESS STEEL
G	8" FFSO 150# FLANGE THROUGH OUTER SHELL ONLY, MARK WITH SPECIAL WARNING LABEL INTERSTITIAL EMERGENCY VENT USE ONLY	THICKNESS - INNER - HEADS AND SHELL - 7 GAUGE THICKNESS - OUTER - HEADS AND SHELL - 7 GAUGE GAUGE OR THICKNESS (PER U.L. 2085)
H	6" FFSO 150# FLANGE - PRIMARY EMERGENCY VENT USE ONLY	CONSTRUCTION - INNER - LAP WELD OUTSIDE ONLY CONSTRUCTION - OUTER - LAP WELD OUTSIDE ONLY
I	PRESSURE VACUUM VENT	TANK TEST - INNER - 5 PSIG OUTER - 5 PSIG
J	2" FITTING THROUGH OUTER SHELL ONLY WITH CAST IRON PLUG - MFG USE ONLY	INT. FINISH - NONE EXT. FINISH - SP - 6 BLAST, FINISH PAINT WHITE
		LABEL - UL 2085 AND FIREGUARD ²⁹ / ₆₄ PER STI

CAMERON T. GRANT
 LICENSED PROFESSIONAL ENGINEER
 No. 17845-M
 HAWAII, U.S.A.
 4/30/24
 EXP. DATE
 This work was prepared by me or under my supervision.

STATE OF HAWAII
 DEPARTMENT OF TRANSPORTATION
 HIGHWAYS DIVISION

2,000 GALLON TANK DETAIL

MAUI DISTRICT BASEYARD OFFICE EXPANSION ϕ
 RENOVATION, PART 2
 Project No. HWY-M-03-21, Phase 2
 Scale: AS SHOWN Date: JULY 2022