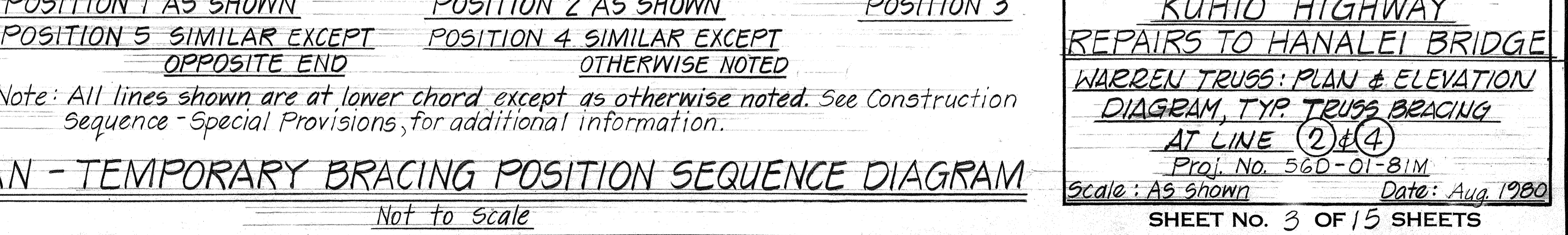
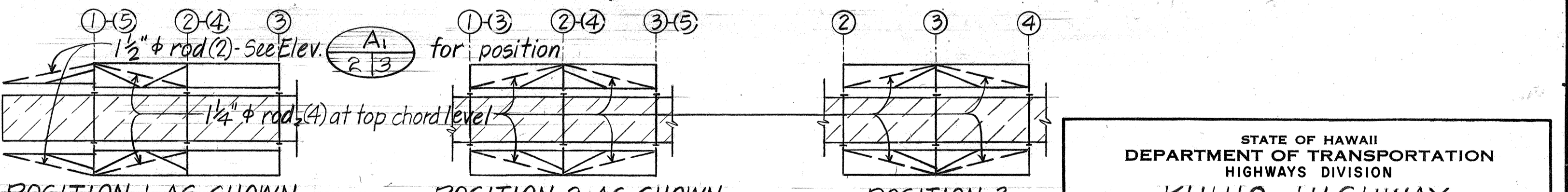
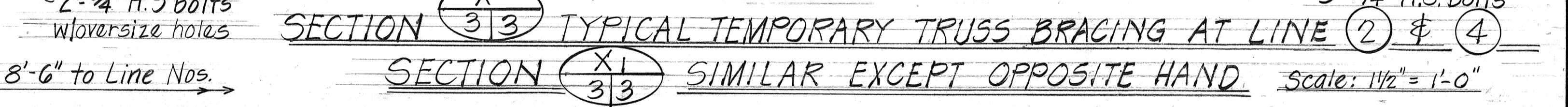
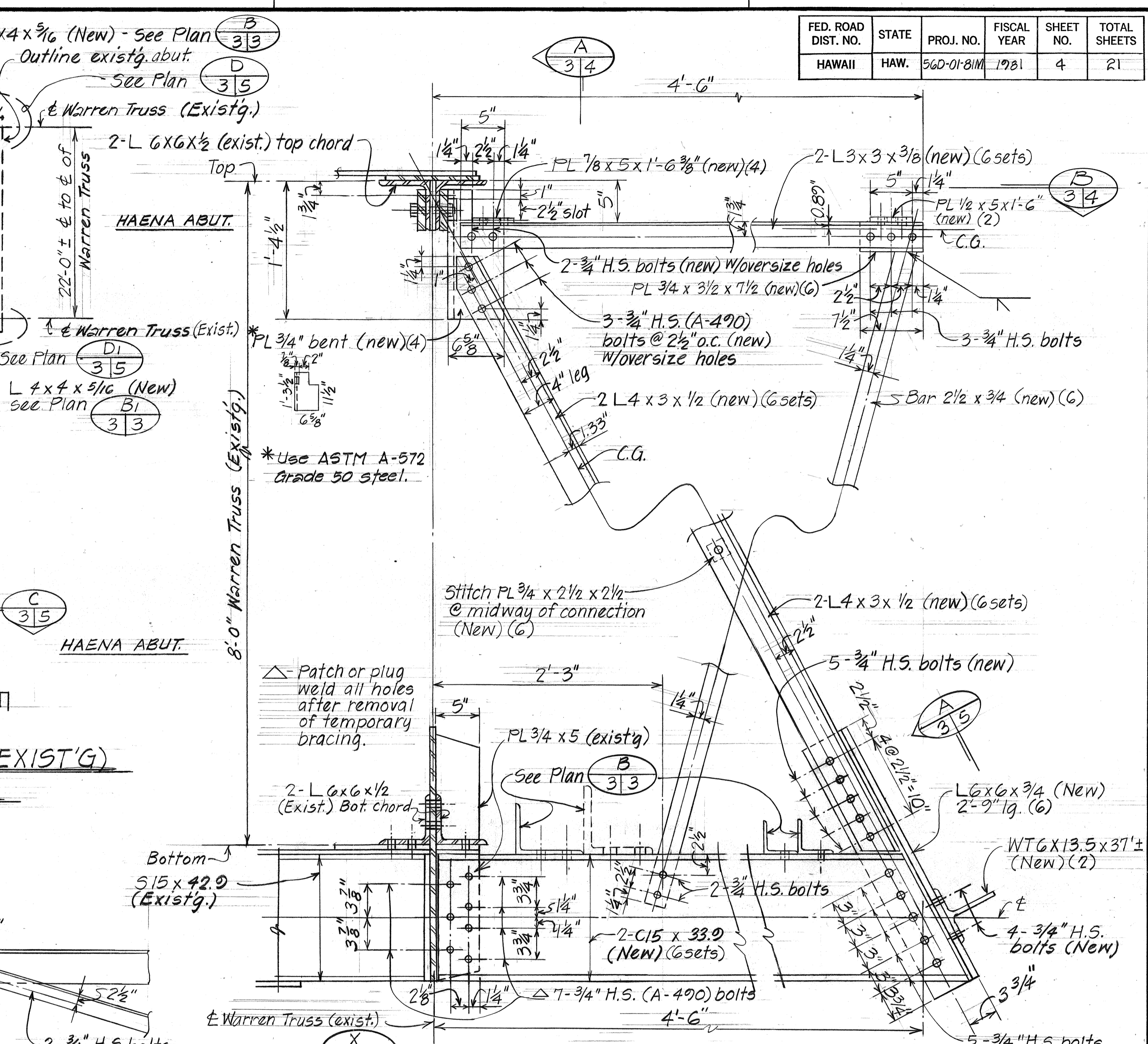
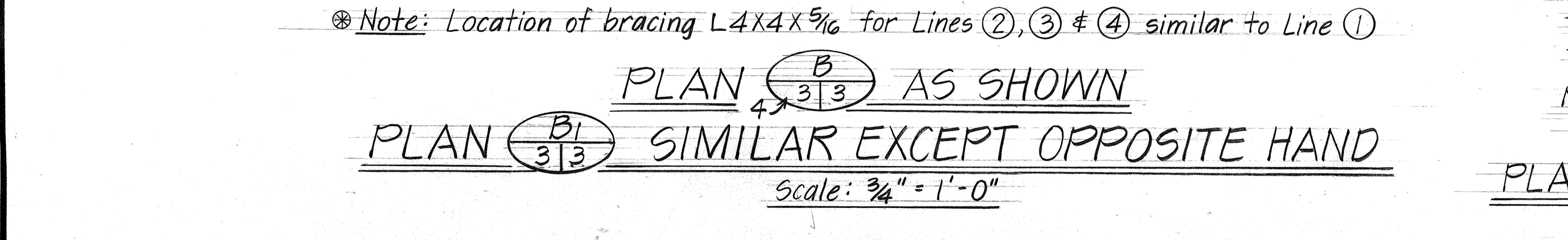
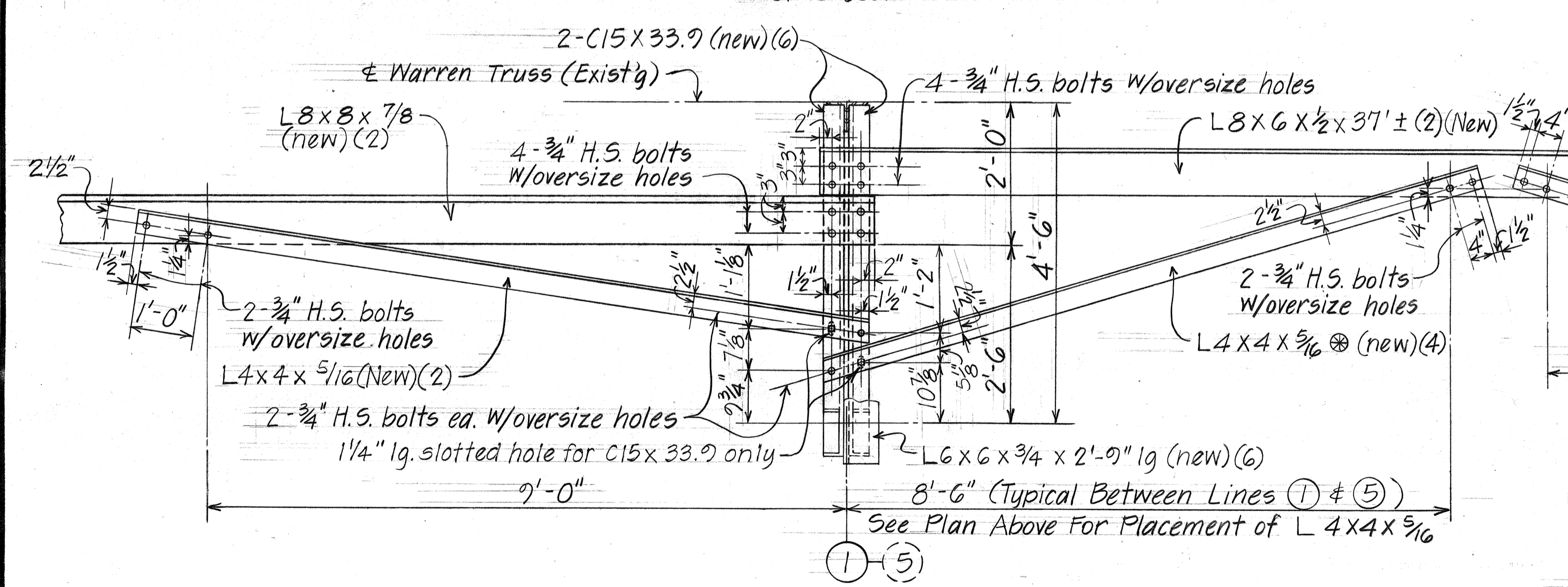
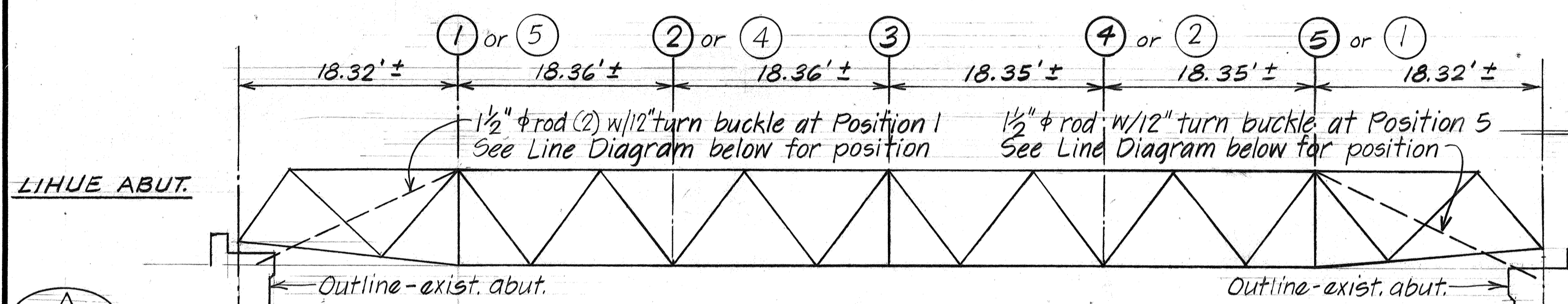
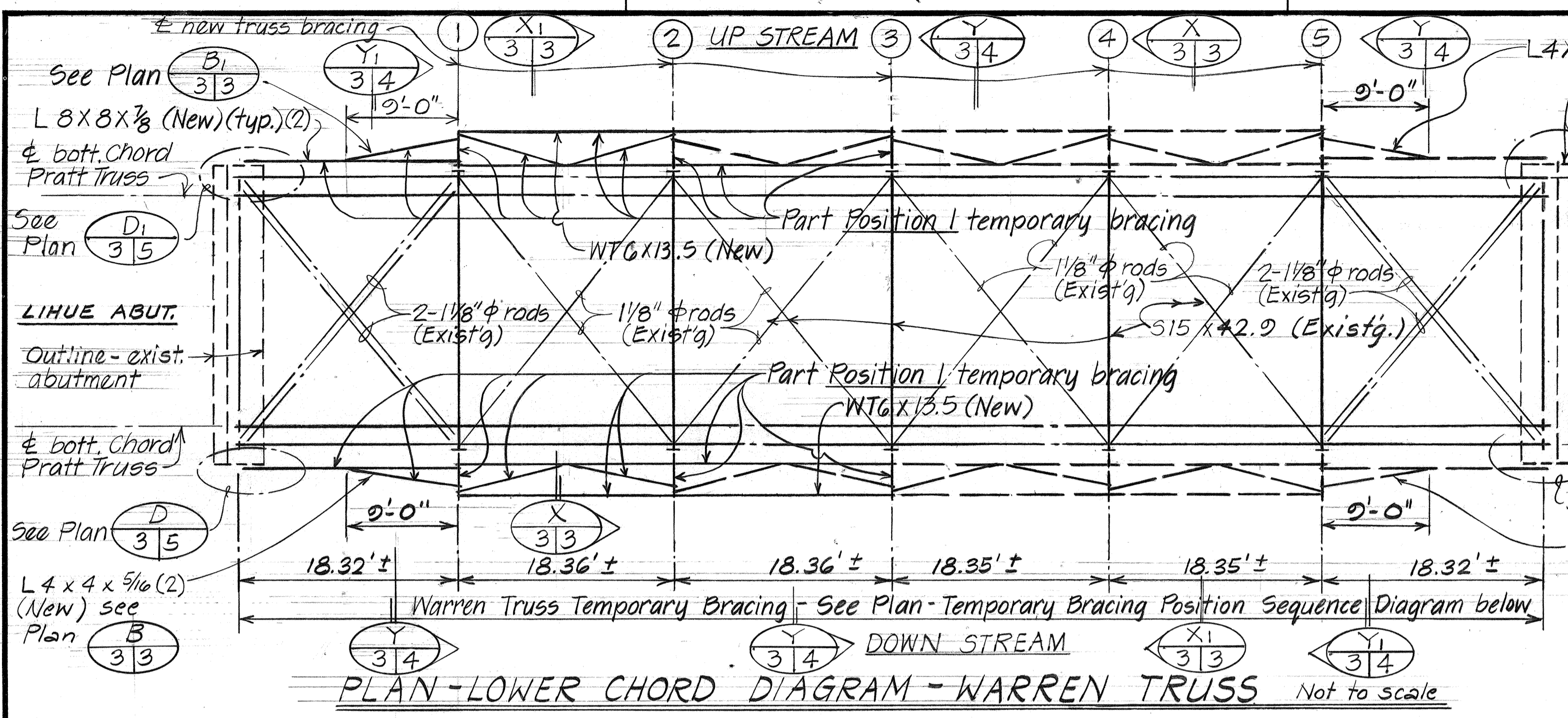


FED. ROAD DIST. NO.	STATE	PROJ. NO.	FISCAL YEAR	SHEET NO.	TOTAL SHEETS
HAWAII	HAW.	56D-01-81M	1981	4	21



SURVEY PLOTTED BY: DATE: Aug. 80
 DRAWN BY: J.K.M.
 CHECKED BY: D.C.O.
 QUANTITIES BY: D.C.O. & S.A.
 ORIGINAL PLAN NO. _____
 NOTE BOOK NO. _____

STATE OF HAWAII
 DEPARTMENT OF TRANSPORTATION
 HIGHWAYS DIVISION
KUHIO HIGHWAY
 REPAIRS TO HANAIEI BRIDGE
 WARREN TRUSS: PLAN & ELEVATION
 DIAGRAM, TYP. TRUSS BRACING
 AT LINE 2 & 4
 Proj. No. 56D-01-81M
 Scale: As Shown Date: Aug. 1980
 SHEET No. 3 OF 15 SHEETS