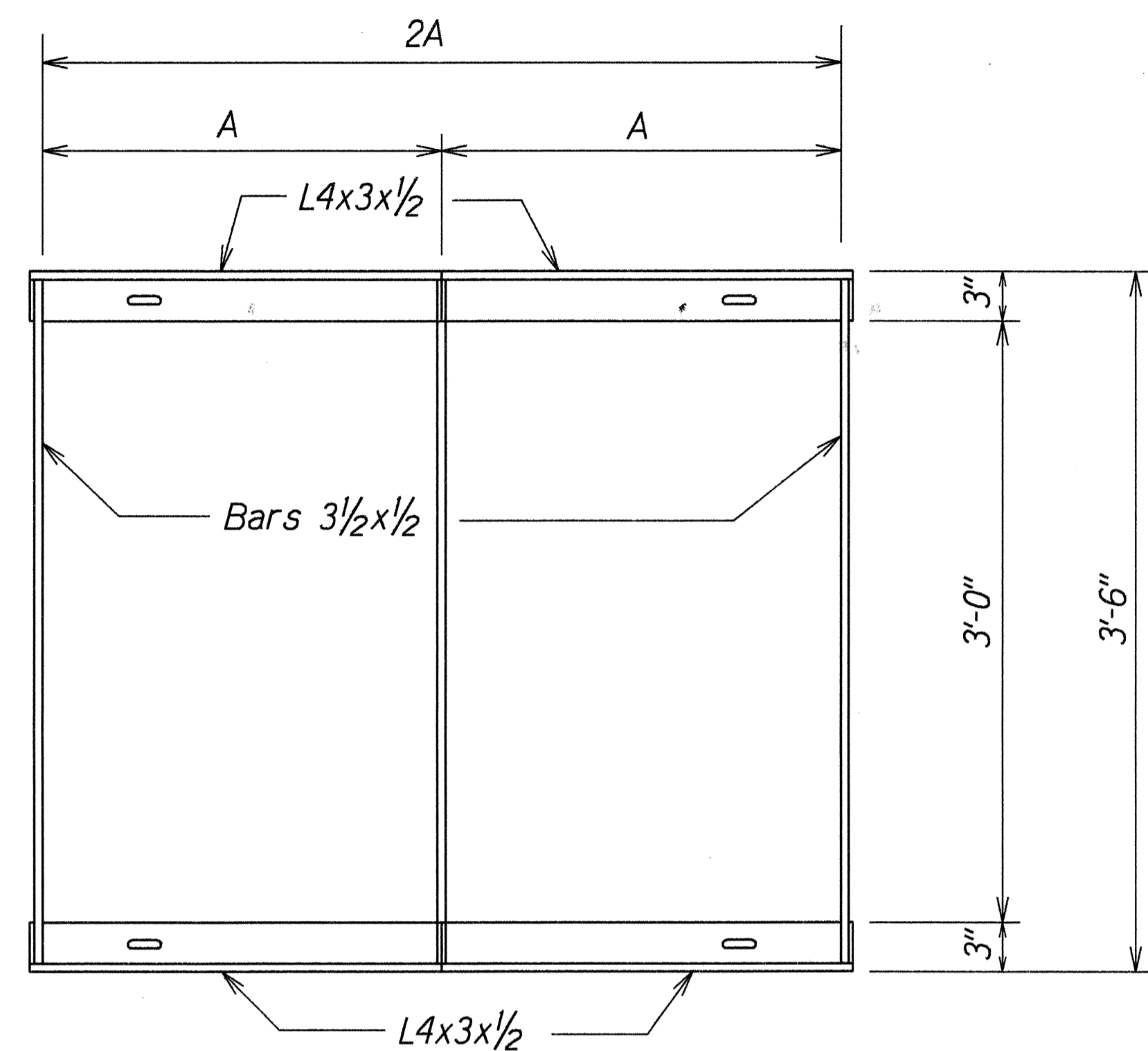
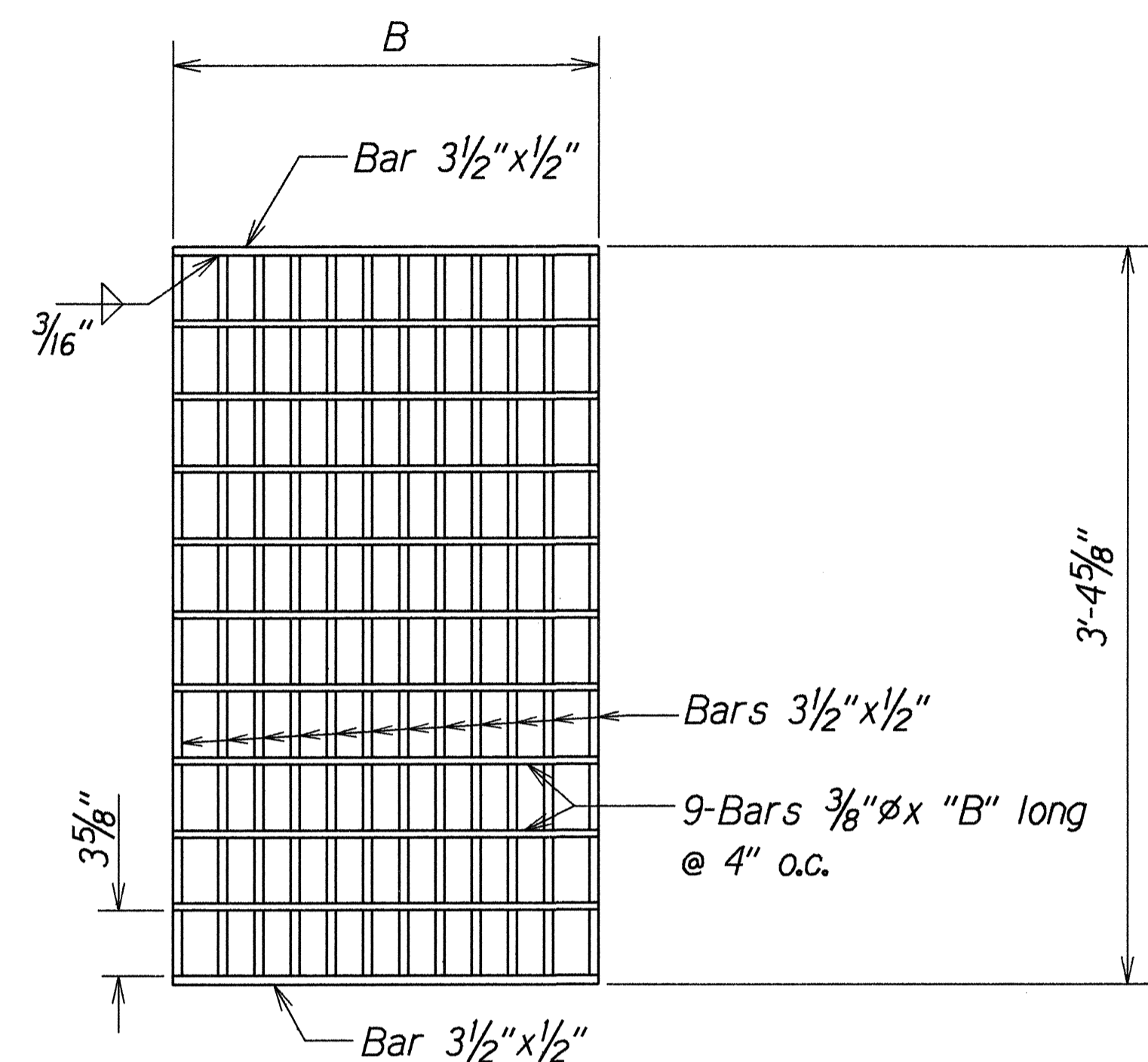


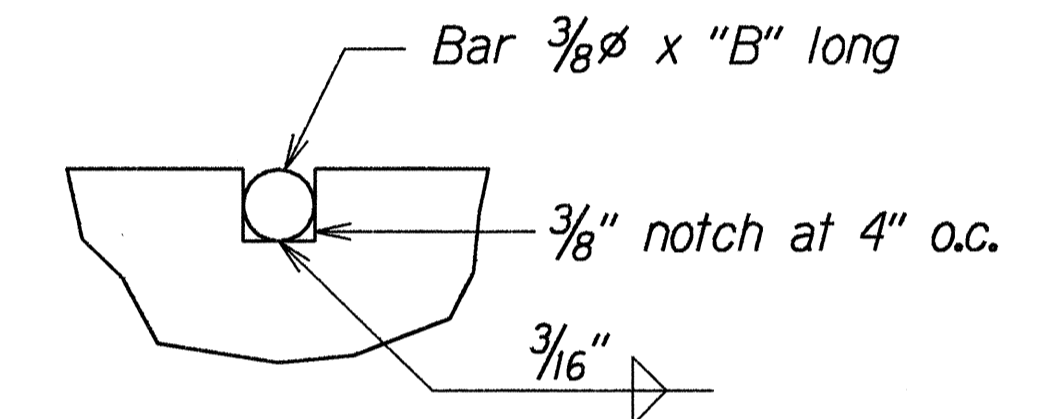
FED. ROAD DIST. NO.	STATE	FED. AID PROJ. NO.	FISCAL YEAR	SHEET NO.	TOTAL SHEETS
HAWAII	HAW.	56A-01-97	1998	ADD. 8 S-1	8



PLAN

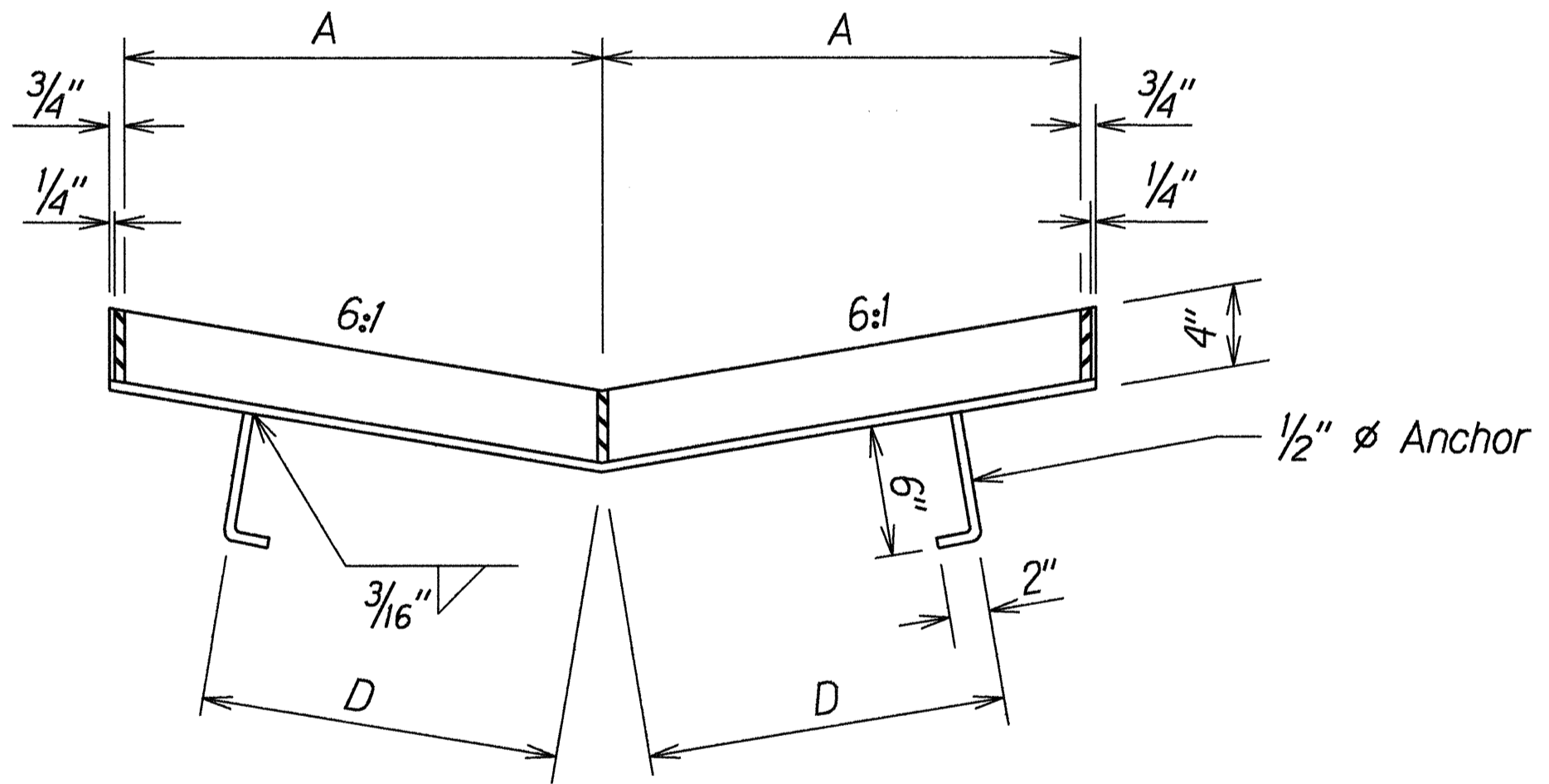


PLAN



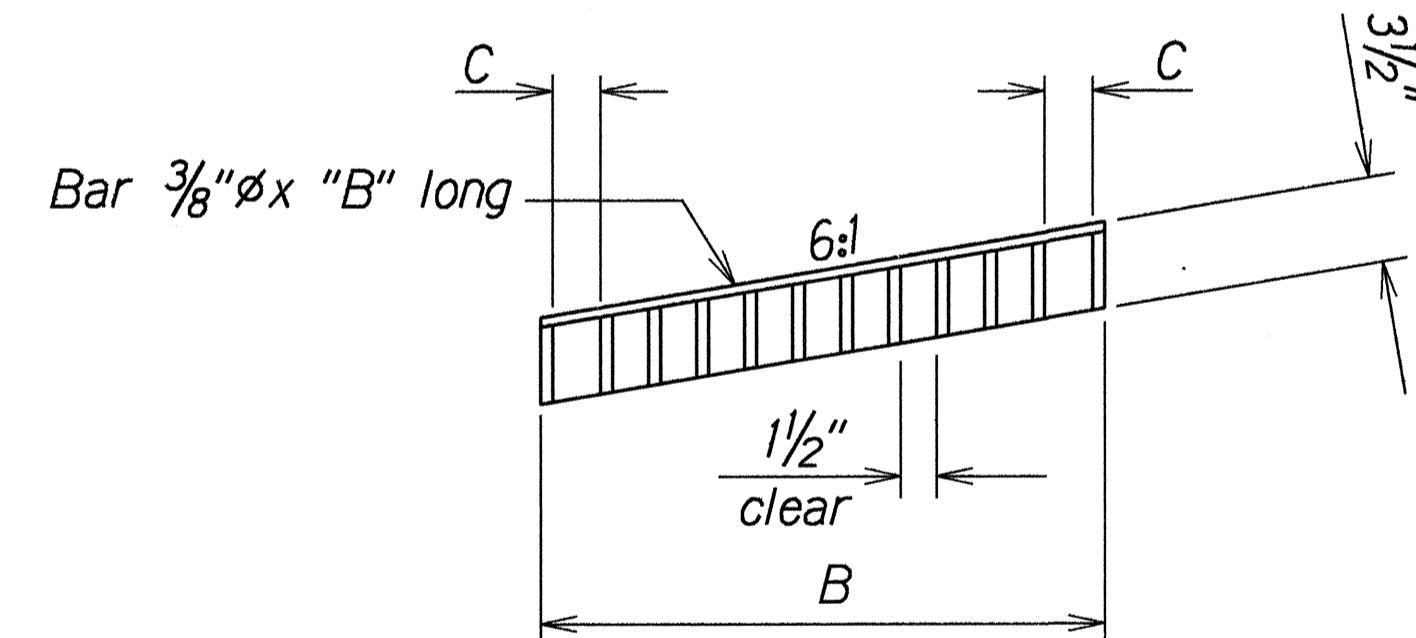
NOTCH DETAIL

Full Size

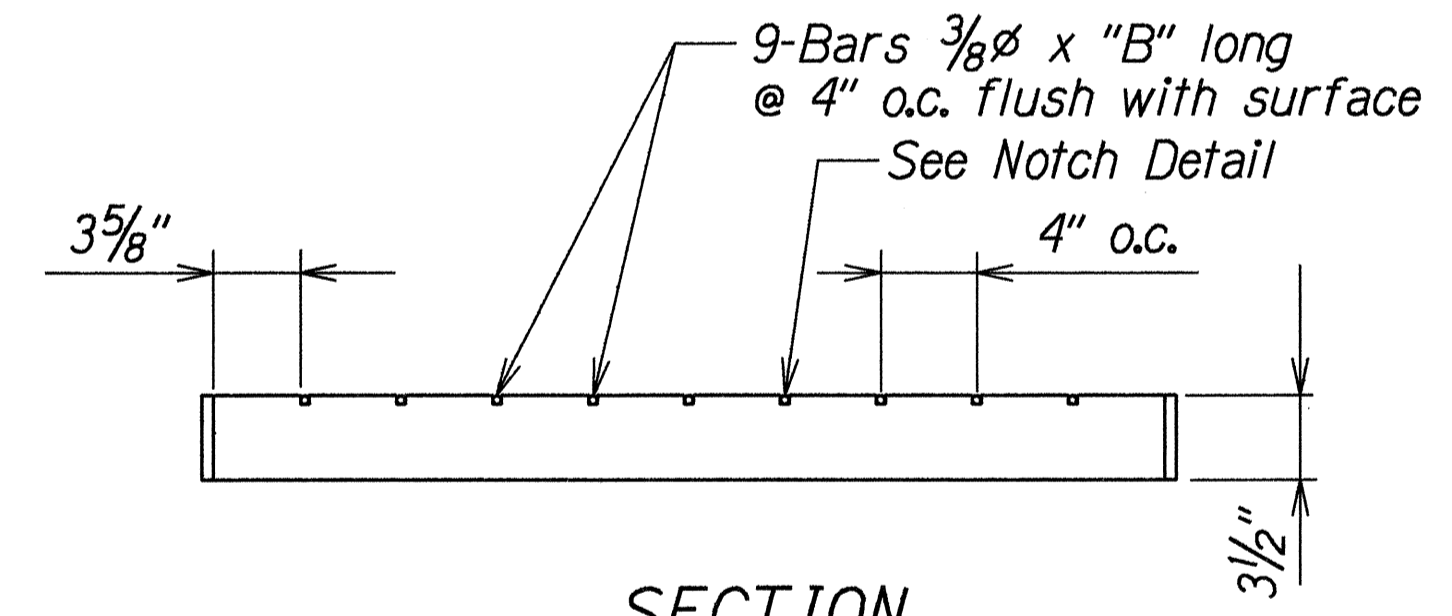


SECTION

FRAME



SECTION



SECTION

NOTE:
All welds 3/8" unless otherwise noted.

GRATE

DIMENSIONS					
TYPE	NO. BARS	A	B	C	D
61614P	12	2'-0"	1'-11 1/2"	2"	1'-6"
61616P	18	3'-0"	2'-11 3/8"	1 5/16"	2'-0"

DETAIL OF TYPE 61614P & 61616P STEEL FRAME & GRATES

Scale: 1/2" = 1'-0"

SURVEY PLOTTED BY: DATE: 6/16/98
 DRAWN BY: JH
 NOTE BOOK: HY
 QUANTITIES BY: dd/mb
 CHECKED BY: N. S. K. (01)

6-16-98	Sheet added to show details of pedestrian safe frame & grates.
DATE	REVISION

STATE OF HAWAII
 DEPARTMENT OF TRANSPORTATION
 HIGHWAYS DIVISION
DRAINAGE DETAILS
 KUHIO HIGHWAY,
 LEFT TURN STORAGE LANE TO
 HAUAAALA ROAD AND KAWAITHAU ROAD
 Proj. No. 56A-01-97
 Scale: 1/2" = 1'-0" Date: June 1998