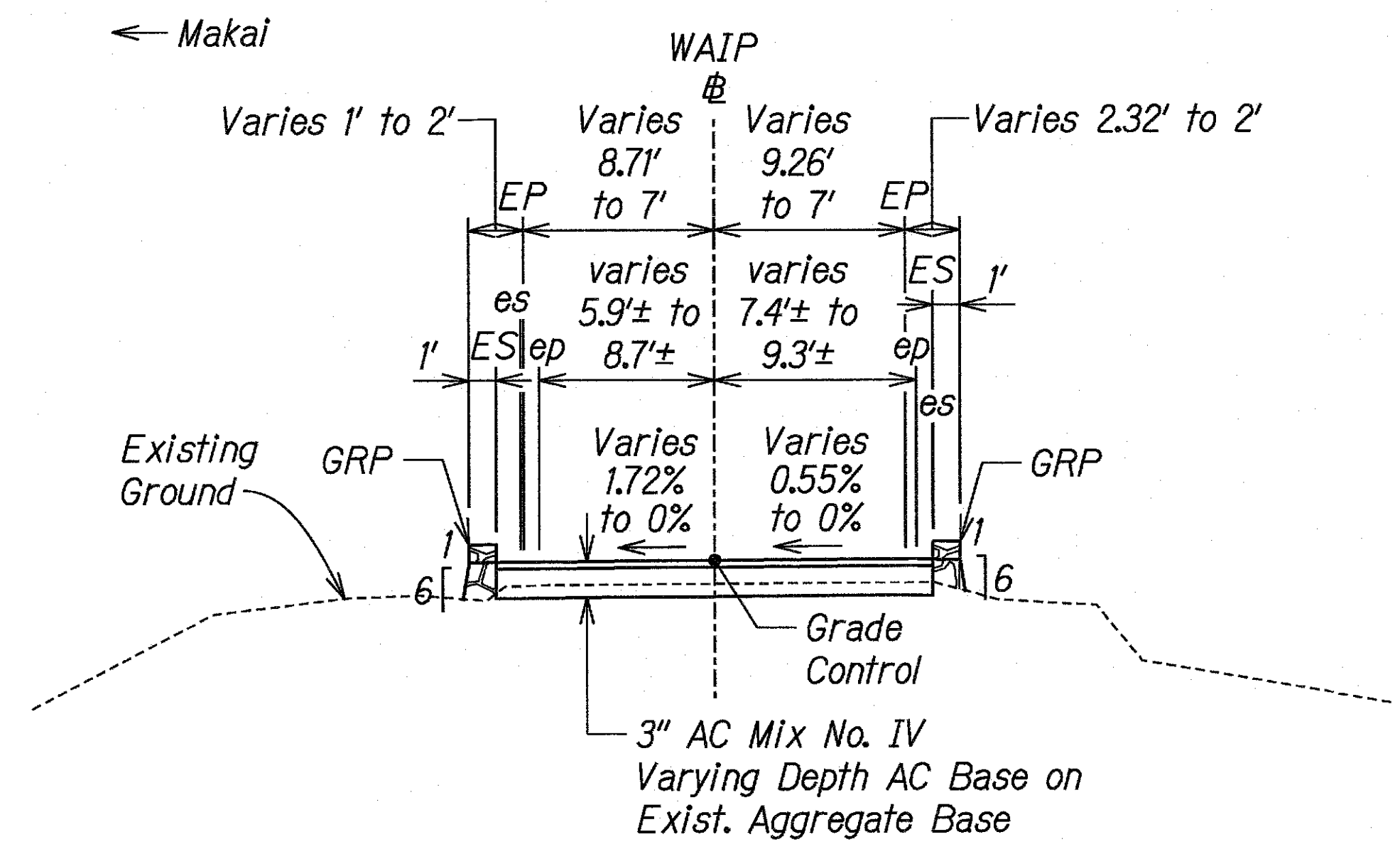
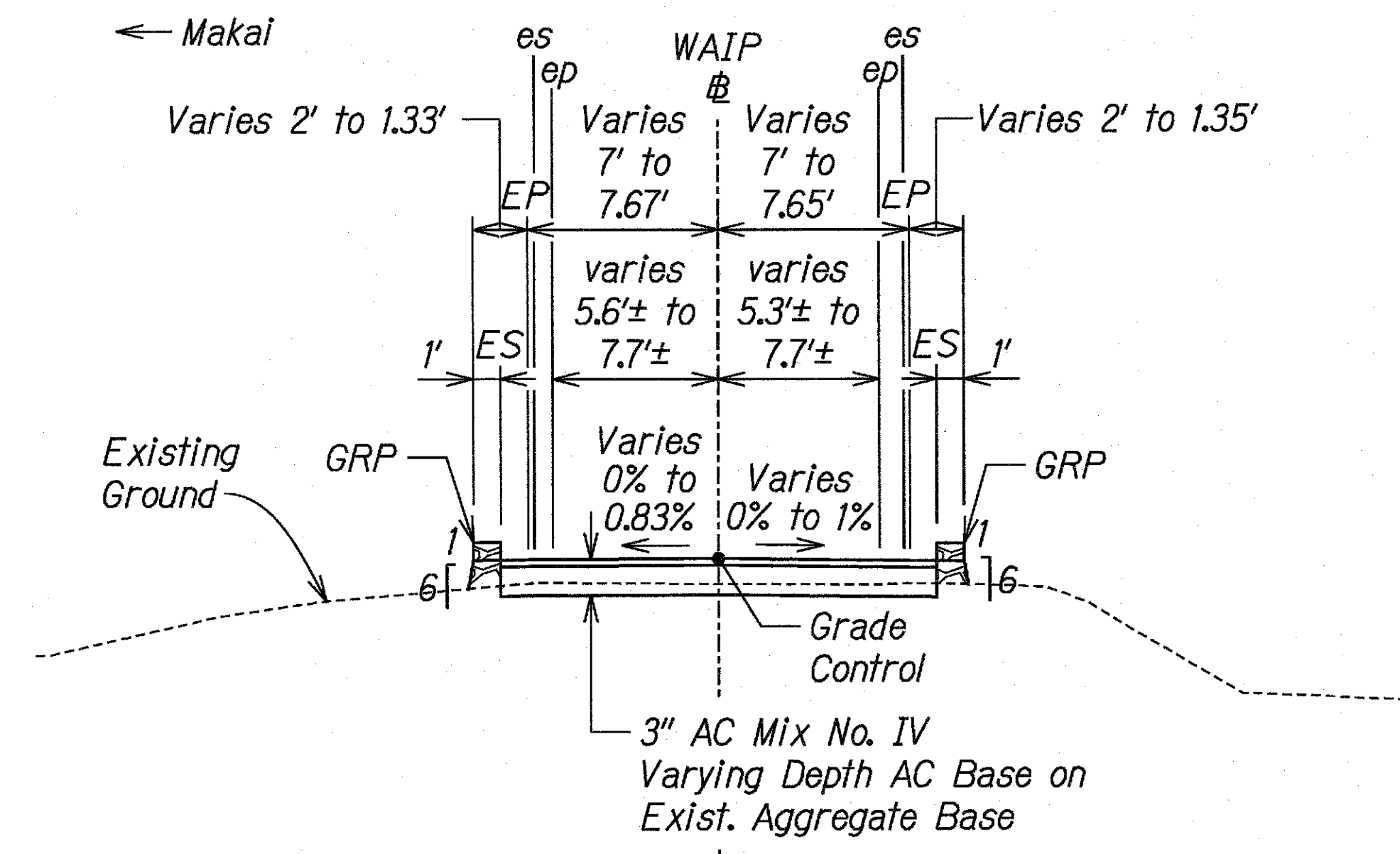


FED. ROAD DIST. NO.	STATE	FEDERAL AID PROJ. NO.	FISCAL YEAR	SHEET NO.	TOTAL SHEETS
HAWAII	HAW.	ER-19(007)	2018	11	62



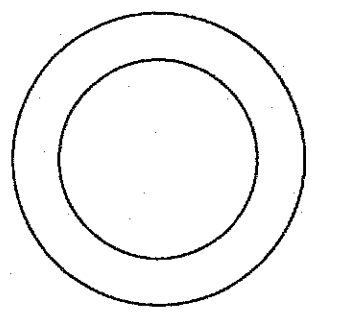
TYPICAL SECTION
KUHIO HWY (AT WEST APPROACH)
STA. 0+82.69 TO STA. 1+27.69
 Scale: 1" = 5'



TYPICAL SECTION
KUHIO HWY (AT EAST APPROACH)
STA. 2+73.69 TO STA. 3+08.69
 Scale: 1" = 5'

SURVEY PLATTED BY	DATE
DRAWN BY	
TRACED BY	
QUANTITIES BY	
CHECKED BY	
ORIGINAL PLAN	
NOTE BOOK	
No.	

T:\16553A-EMERGENCY FLOOD REPAIR\CADD\SHEETS\TS-2.dgn



THIS WORK WAS PREPARED BY ME OR UNDER MY SUPERVISION.
SIGNATURE _____ EXPIRATION DATE OF THE LICENSE 04/30/20

STATE OF HAWAII
DEPARTMENT OF TRANSPORTATION
HIGHWAYS DIVISION

WAIPA STREAM BRIDGE

TYPICAL SECTIONS

KAUAI EMERGENCY FLOOD REPAIRS & CLEANUP
At Various Locations April 2018, Rte. 560
Proj. No. ER-19(007)

Scale: As Shown Date: OCT. 2018

SHEET No. T-1 OF 1 SHEETS