

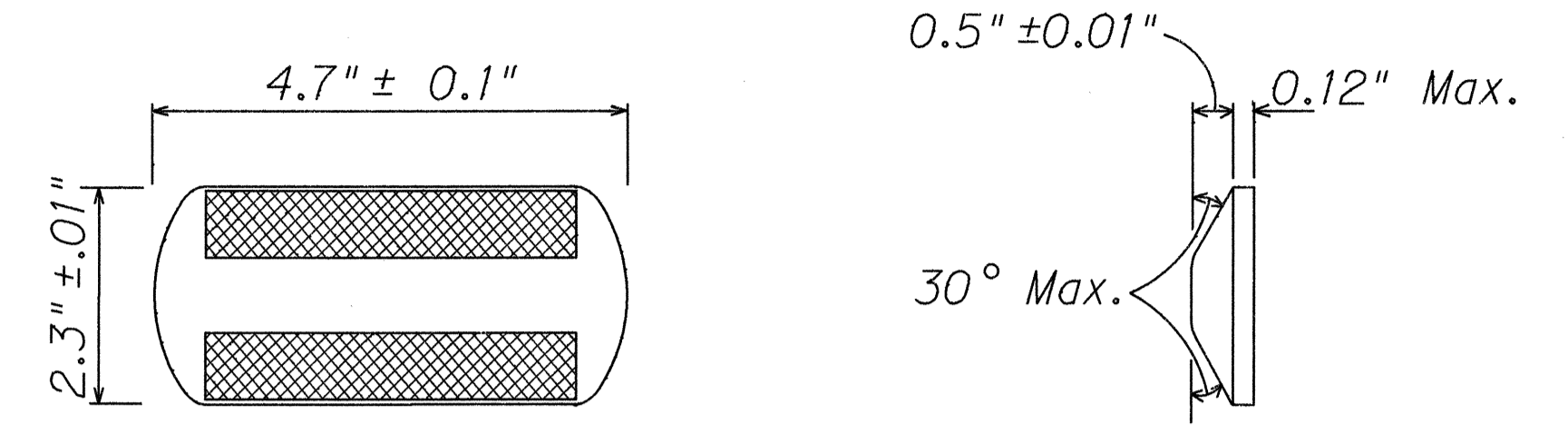
FED. ROAD DIST. NO.	STATE	FED. AID PROJ. NO.	FISCAL YEAR	SHEET NO.	TOTAL SHEETS
HAWAII	HAW.	F-056-1(31)	1991	89	126

LEGEND

- 4 each Type A Raised Pavement Markers
Type CL Raised Pavement Markers @ 40'-0" o.c.
- 4 each Type J Raised Pavement Markers
Type DL Raised Pavement Markers @ 40'-0" o.c.
- 8" White Stripe with Type CL Raised Pavement Markers @ 20'-0" o.c. (Tape, Type I or Thermoplastic Extrusion)
- 4" Double Solid Yellow with Type DL Raised Pavement Markers @ 20'-0" o.c. (Tape, Type I or Thermoplastic Extrusion)
- 4" Double Solid Yellow Stripes with Type HL Raised Pavement Markers @ 20'-0" o.c. (Tape, Type II or Thermoplastic Extrusion)
- 4" Yellow Edge Stripe with Type HL Raised Pavement Markers @ 40'-0" o.c. (Tape, Type II or Thermoplastic Extrusion)
- 4" Double Solid White Stripes with Type CL Raised Pavement Markers @ 20'-0" o.c. (Tape, Type I or Thermoplastic Extrusion)
- Lane Change Restriction Marking
4 each Type A Raised Pavement Markers
Type CL Raised Pavement Markers @ 20'-0" o.c.
4" White Stripe (Tape, Type I or Thermoplastic Extrusion)
- 4" or 8" White Edge Stripe with Type CL Raised Pavement Markers @ 40'-0" o.c. (Tape, Type II or Thermoplastic Extrusion)
- 4" White Guide Lines (Thermoplastic Extrusion)
- Transverse Median Marking (Tape, Type II or Thermoplastic Extrusion)
- Transverse Shoulder Marking (Tape, Type II or Thermoplastic Extrusion)
- Channelizing Island or Deceleration Lane Gore (Tape, Type II or Thermoplastic Extrusion)
- Crosswalk and Stop Line. All Stop Lines shall be 10'-0" from Crosswalk unless otherwise noted. The circled number indicates the number of lanes for payment. (Thermoplastic Extrusion)
- Pavement Arrow (Tape, Type I or Thermoplastic Extrusion)
- Pavement Word (Tape, Type I or Thermoplastic Extrusion)
- 4 Each Type J Raised Pavement Markers
Type DL Raised Pavement Markers @ 40'-0" o.c.
Type HL Raised Pavement Markers (Reflective Surface facing no-passing direction)
- 4" Single Solid Yellow Stripe (Tape, Type I or Thermoplastic Extrusion)
- Extension of Edge Line, 4" Wide x 2'-0" Long White Stripe @ 10'-0" o.c. w/Type CL Markers @ 40'-0" o.c. (Thermoplastic Extrusion)

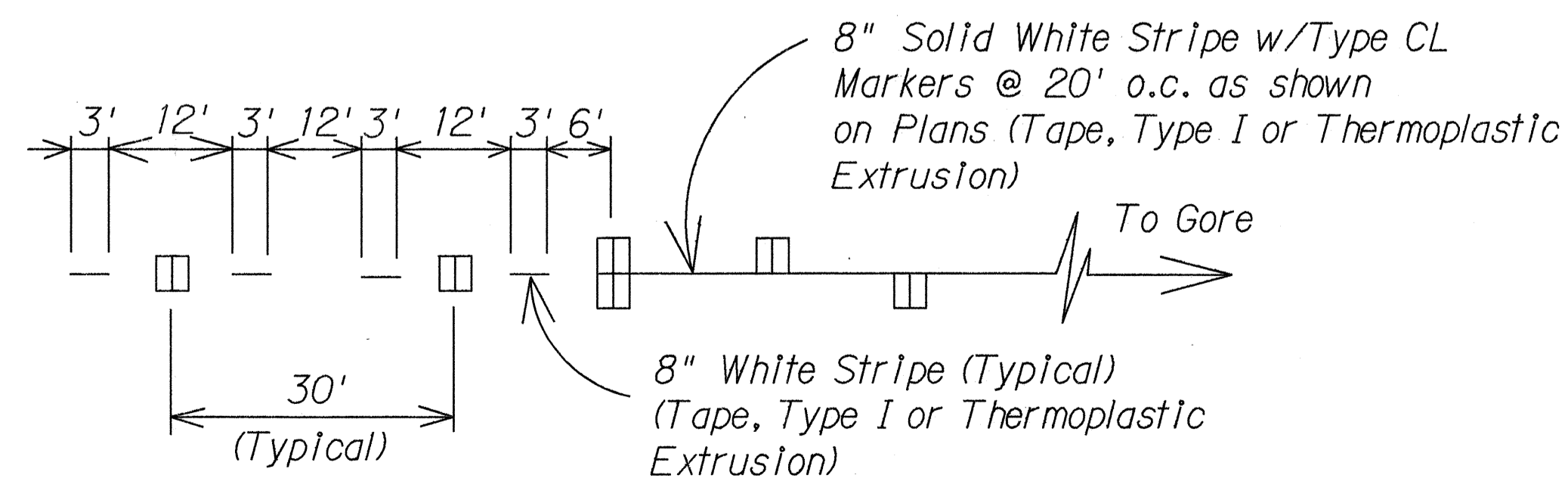
NOTES

1. Layout of pavement markings and striping shall be done by the Contractor and approved by the Engineer prior to any Installation work.
2. Existing pavement markings not incorporated in the final traffic pattern shall be removed as directed by the Engineer. Costs shall be incidental to the various pavement marking items.
3. Raised pavement markers shall not be installed within crosswalks.
4. Details of Type C, Type D and Type H Markers on Standard Plan Nos. TE-30, TE-31 and TE-32 shall be deleted and replaced with details of Type CL, Type DL and Type HL Markers as shown on this sheet. All references to Type C, Type D and Type H Markers in the plans shall mean Type CL, Type DL and Type HL Markers.
5. Final locations of all signs shall be approved by the Engineer prior to any Installation work.
6. Existing signs not shown on these plans shall remain as posted unless otherwise directed by the Engineer. Removal and disposal of existing signs and/or posts as designated on these plans shall be incidental to the various signing items.
7. Final locations of all Stop Lines shall be approved by the Engineer prior to Installation.
8. All pavement striping shall be as noted on the Legend or plans.
9. All preformed pavement marking tapes over existing pavement shall be applied with an approved primer as recommended by the tape manufacturer and as approved by the Engineer. The primer shall be allowed to dry to the tacky stage prior to tape application.



TYPE CL
Red-Clear Reflective Marker
or
TYPE DL
Two-Way Yellow Reflective Marker
or
TYPE HL
One-Way Yellow Reflective Marker

RAISED PAVEMENT MARKER DETAILS
Not to Scale



LANE DROP MARKING
Not to Scale

DATE
DESIGNED BY
CHECKED BY
QUANTITIES BY
REVISIONS
NO.

STATE OF HAWAII
DEPARTMENT OF TRANSPORTATION
HIGHWAYS DIVISION

**PAVEMENT MARKING
LEGEND, DETAILS & NOTES**

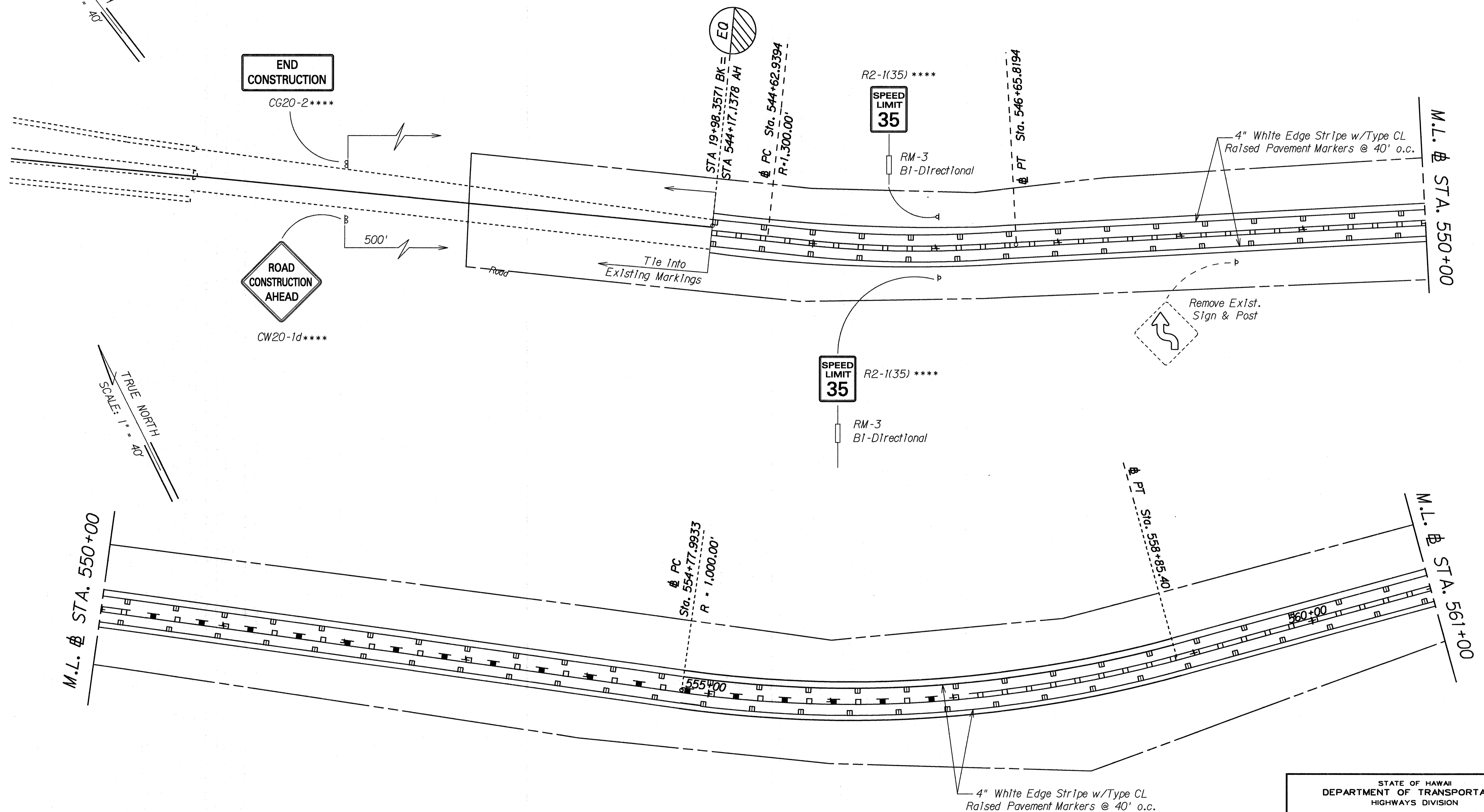
KUHIO HIGHWAY
PRINCEVILLE TO KALIHUAI
PROJECT NO. F-056-1(31)

Date: May, 1991

SHEET No. 71 OF 8 SHEETS

FED. ROAD DIST. NO.	STATE	FED. AID PROJ. NO.	FISCAL YEAR	SHEET NO.	TOTAL SHEETS
HAWAII	HAW.	F-056-1(31)	1991	90	126

TRUE NORTH
SCALE: 1" = 40'



TRUE NORTH
SCALE: 1" = 40'

SURVEY PLOTTED BY	DATE
DESIGNED BY	
NOTED BY	
CHECKED BY	
NO.	

- KEY:**
- * Exist. Sign(s) & Post(s) to Remain
 - ** Remove Exist. Sign(s) & Post(s)
 - *** Remove Exist. Sign(s) & Post(s), & Install New Sign(s) w/Post(s)
 - **** Install New Sign(s) w/Post(s)

STATE OF HAWAII
DEPARTMENT OF TRANSPORTATION
HIGHWAYS DIVISION

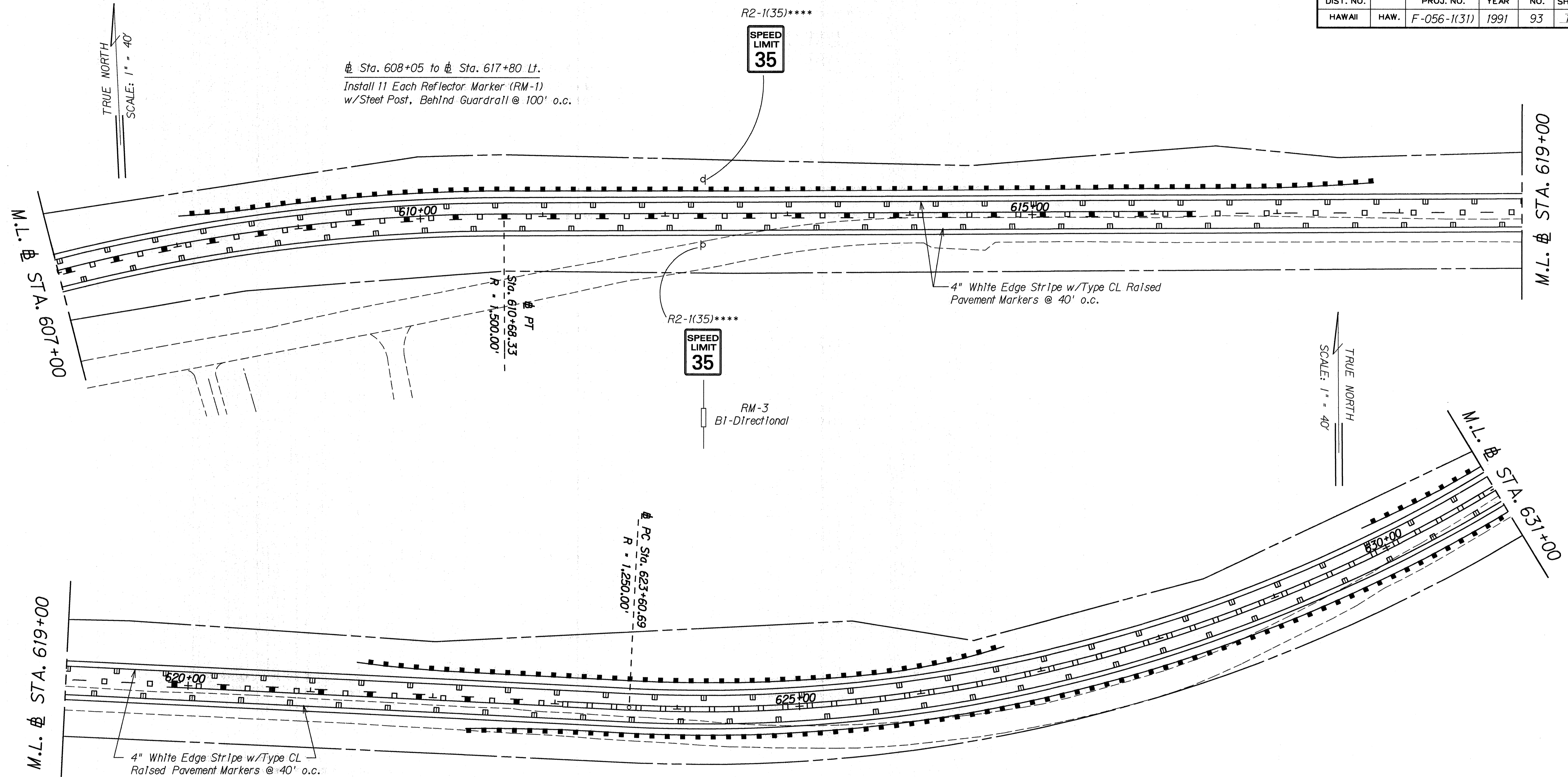
**SIGNING & PAVEMENT
MARKING PLAN**

KUHIO HIGHWAY
PRINCEVILLE TO KALIHUAI
PROJECT NO. F-056-1(31)

Scale: 1" = 40' Date: Apr., 1991

SHEET No. T2 OF 8 SHEETS

FED. ROAD DIST. NO.	STATE	FED. AID PROJ. NO.	FISCAL YEAR	SHEET NO.	TOTAL SHEETS
HAWAII	HAW.	F-056-1(31)	1991	93	126



Sta. 608+05 to Sta. 617+80 Lt.
 Install 11 Each Reflector Marker (RM-1)
 w/Steel Post, Behind Guardrail @ 100' o.c.

Sta. 621+40 to Sta. 626+75 Lt.
 Sta. 622+30 to Sta. 636+55 Rt.
 Sta. 629+90 to Sta. 639+90 Lt.
 Install 32 Each Reflector Marker (RM-1)
 w/Steel Post, Behind Guardrail @ 100'
 o.c.

- KEY:**
- * Exist. Sign(s) & Post(s) to Remain
 - ** Remove Exist. Sign(s) & Post(s)
 - *** Remove Exist. Sign(s) & Post(s), & Install New Sign(s) w/Post(s)
 - **** Install New Sign(s) w/Post(s)

DATE	_____
SURVEY PLOTTED BY	_____
DESIGNED BY	_____
NOTED BY	_____
CHECKED BY	_____
NO.	_____

STATE OF HAWAII
 DEPARTMENT OF TRANSPORTATION
 HIGHWAYS DIVISION

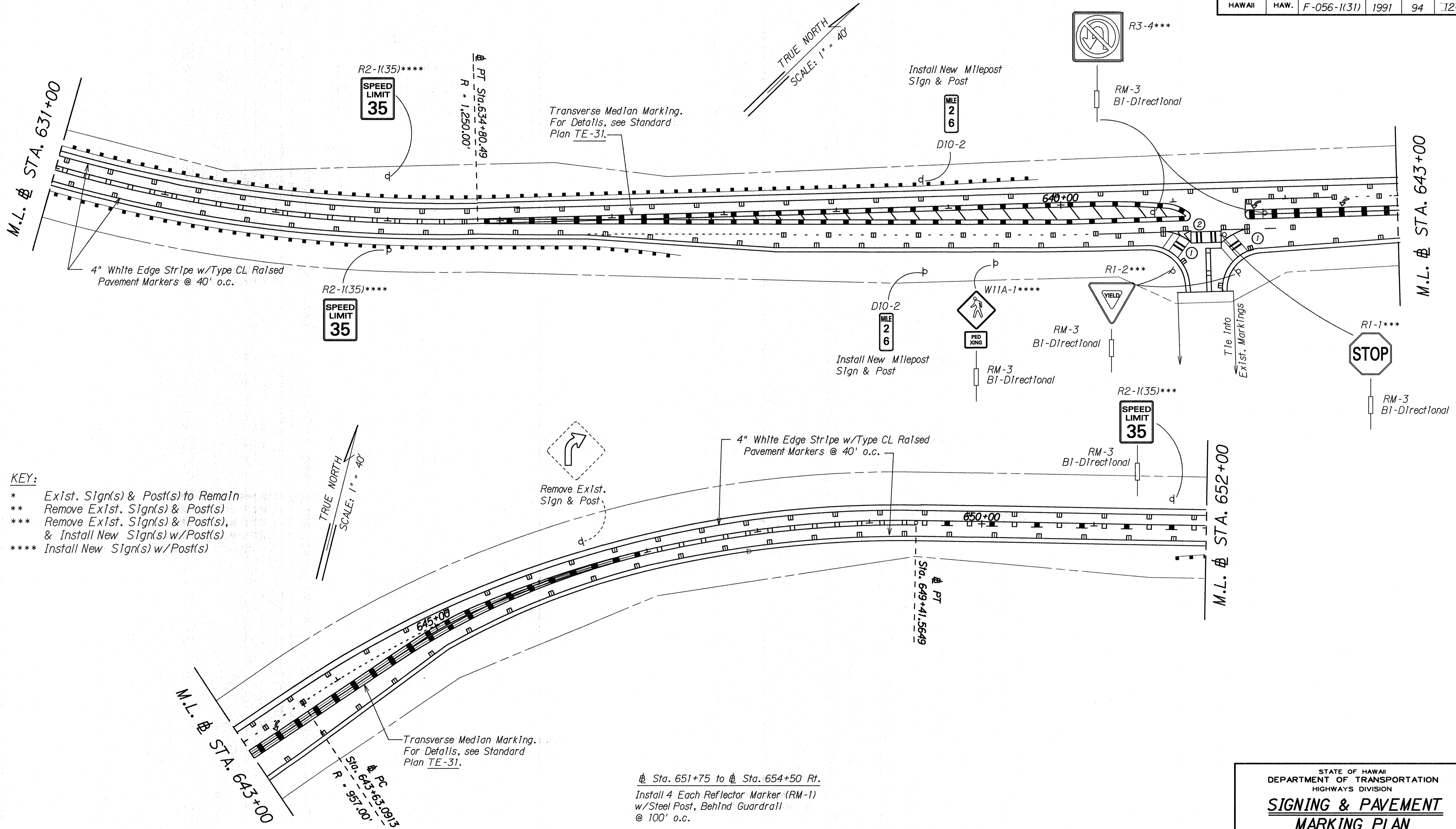
**SIGNING & PAVEMENT
 MARKING PLAN**

KUHIO HIGHWAY
 PRINCEVILLE TO KALIHUAI
 PROJECT NO. F-056-1(31)

Scale: 1" = 40' Date: Apr., 1991

SHEET No. 75 OF 8 SHEETS

FED. ROAD DIST. NO.	STATE	FED. AID PROJ. NO.	FISCAL YEAR	SHEET NO.	TOTAL SHEETS
HAWAII	HAW.	F-056-1(31)	1991	94	126



KEY:
 * Exist. Sign(s) & Post(s) to Remain
 ** Remove Exist. Sign(s) & Post(s)
 *** Remove Exist. Sign(s) & Post(s), & Install New Sign(s) w/Post(s)
 **** Install New Sign(s) w/Post(s)

Sta. 651+75 to Sta. 654+50 Rt.
 Install 4 Each Reflector Marker (RM-1)
 w/Steel Post, Behind Guardrail
 @ 100' o.c.

STATE OF HAWAII
 DEPARTMENT OF TRANSPORTATION
 HIGHWAYS DIVISION

SIGNING & PAVEMENT MARKING PLAN

KUHIO HIGHWAY
 PRINCEVILLE TO KALIHWAI
 PROJECT NO. F-056-1(31)

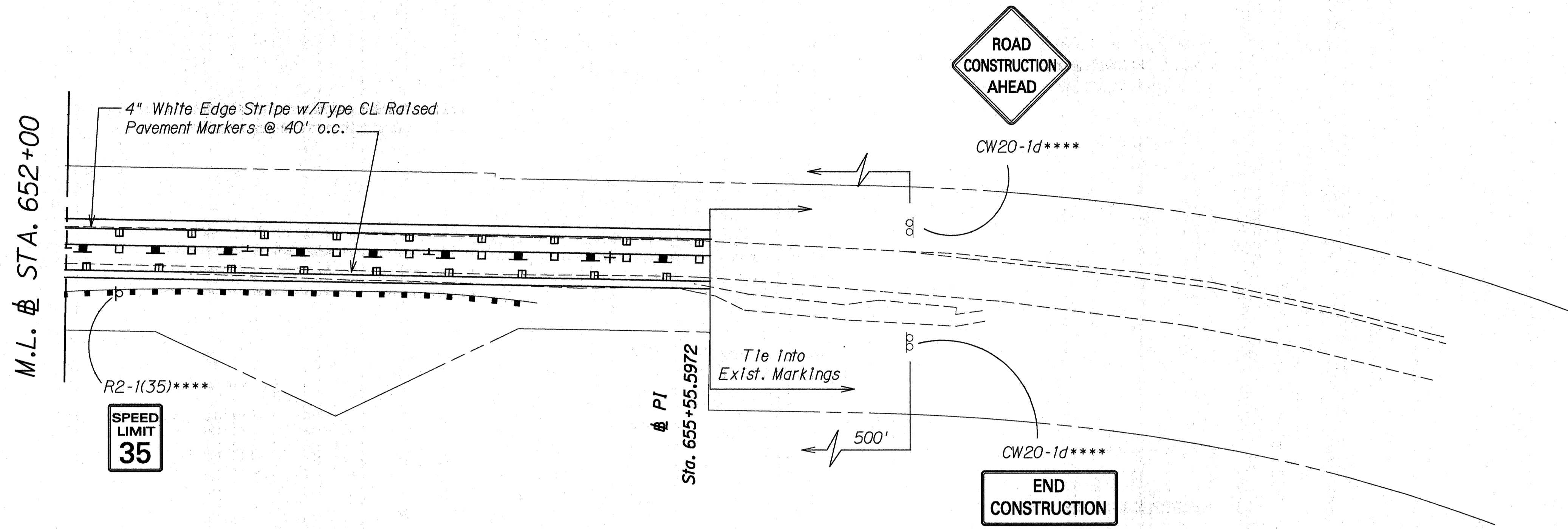
Scale: 1" = 40' Date: Apr., 1991

SHEET No. 76 OF 8 SHEETS

SURVEY PLOTTED BY	DATE
DESIGNED BY	
NOTED BY	
CHECKED BY	

FED. ROAD DIST. NO.	STATE	FED. AID PROJ. NO.	FISCAL YEAR	SHEET NO.	TOTAL SHEETS
HAWAII	HAW.	F-056-1(31)	1991	95	126

TRUE NORTH
SCALE: 1" = 40'



ORIGINAL PLAN	DATE
DESIGNED BY	
NOTED BY	
CHECKED BY	
NO.	

- KEY:**
- * Exist. Sign(s) & Post(s) to Remain
 - ** Remove Exist. Sign(s) & Post(s)
 - *** Remove Exist. Sign(s) & Post(s), & Install New Sign(s) w/Post(s)
 - **** Install New Sign(s) w/Post(s)

STATE OF HAWAII
DEPARTMENT OF TRANSPORTATION
HIGHWAYS DIVISION

**SIGNING & PAVEMENT
MARKING PLAN**

KUHIO HIGHWAY
PRINCEVILLE TO KALIHUAI
PROJECT NO. F-056-1(31)

Scale: 1" = 40' Date: Apr., 1991

SHEET No. 77 OF 8 SHEETS

FED. ROAD DIST. NO.	STATE	FED. AID PROJ. NO.	FISCAL YEAR	SHEET NO.	TOTAL SHEETS
HAWAII	HAW.	F-056-1(31)	1991	96	126

CONSTRUCTION SIGN SUMMARY

SIGN NO.	LOCATION	MESSAGE	W/POSTS	W/O POST
CG20-2	Sta. 15+00 Lt.	END CONSTRUCTION	1	
CW20-1d	Sta. 15+00 Rt.	ROAD CONSTRUCTION AHEAD	1	
CW20-1d	Sta. 660+55 Lt.	ROAD CONSTRUCTION AHEAD	1	
CG20-2	Sta. 660+55 Rt.	END CONSTRUCTION	1	
TOTAL			4	0

PAVEMENT MARKING SUMMARY

DESCRIPTION	QUANTITY
PAVEMENT MARKERS	
TYPE A _____	_____
TYPE CL _____	600 EA.
TYPE DL _____	390 EA.
TYPE HL _____	220 EA.
TYPE J _____	440 EA.
TAPE - TYPE I OR THERMOPLASTIC EXTRUSION	
4-INCH PAVEMENT STRIPE (WHITE) _____	750 L.F.
4-INCH PAVEMENT STRIPE (YELLOW) _____	3,990 L.F.
8-INCH PAVEMENT STRIPE (WHITE) _____	60 L.F.
12-INCH PAVEMENT STRIPE (WHITE) _____	_____
12-INCH PAVEMENT STRIPE (YELLOW) _____	_____
DOUBLE 4-INCH PAVEMENT STRIPE (YELLOW) _____	5,140 L.F.
PAVEMENT ARROW _____	3 EA.
PAVEMENT WORD _____	_____
TAPE - TYPE II OR THERMOPLASTIC EXTRUSION	
4-INCH PAVEMENT STRIPE (WHITE) _____	17,880 L.F.
4-INCH PAVEMENT STRIPE (YELLOW) _____	1,310 L.F.
8-INCH PAVEMENT STRIPE (WHITE) _____	130 L.F.
8-INCH PAVEMENT STRIPE (YELLOW) _____	_____
12-INCH PAVEMENT STRIPE (WHITE) _____	20 L.F.
12-INCH PAVEMENT STRIPE (YELLOW) _____	320 L.F.
DOUBLE 4-INCH PAVEMENT STRIPE (YELLOW) _____	2,280 L.F.
THERMOPLASTIC EXTRUSION	
4-INCH PAVEMENT STRIPE (WHITE) _____	_____
8-INCH PAVEMENT STRIPE (WHITE) _____	_____
12-INCH PAVEMENT STRIPE (WHITE) _____	220 L.F.
CROSSWALK MARKINGS _____	4 LANES

TRAFFIC SIGN SUMMARY

SIGN NO.	MESSAGE	QUANTITY			
		10 SQ. FT. OR LESS		GREATER THAN 10 SQ. FT.	
		W/POST	W/O POST	W/POST	W/O POST
R1-1	STOP	5			
R1-2	YIELD	2			
R2-1 (35)	SPEED LIMIT 35	12			
R3-2	NO LEFT TURN	1			
R3-4	NO U TURN	2			
R6-1	ONE WAY	1	1		
W1-2 (L)	←	1			
W1-2 (R)	→	1			
W2-1	+	2			
W2-2 (L)	⊥	1			
W2-2 (R)	⊥	1			
W11A-1	ADVANCE CROSSING	1			
TOTAL		30	1	0	0

REFLECTOR MARKER SUMMARY

TYPE	QUANTITY							
	W/O POST BI-DIRECTIONAL		W/FLEXIBLE POST		W/STEEL POST		MOUNT ON CONCRETE RETAINING WALL	
	YELLOW	WHITE	YELLOW	WHITE	YELLOW	WHITE	YELLOW	WHITE
RM-1						85		
RM-3	18							
TOTAL	18	0	0	0	0	85	0	0

MILEPOST MARKER SUMMARY

MILE POST NO.	LOCATION	QUANTITY W/POST
27	Sta. 585+86 Lt. & Rt.	2
26	Sta. 638+66 Lt. & Rt.	2
TOTAL		4

STATE OF HAWAII
DEPARTMENT OF TRANSPORTATION
HIGHWAYS DIVISION

TRAFFIC SUMMARIES

KUHIO HIGHWAY
PRINCEVILLE TO KALIHUAI
PROJECT NO. F-056-1 (31)

Date: Apr., 1991

SHEET No. 78 OF 8 SHEETS

SURVEY PLOTTED BY _____ DATE _____
 PLAN _____
 TRACED BY _____
 DESIGNED BY _____
 NOTE BOOK _____
 QUANTITIES BY _____
 CHECKED BY _____
 No. _____