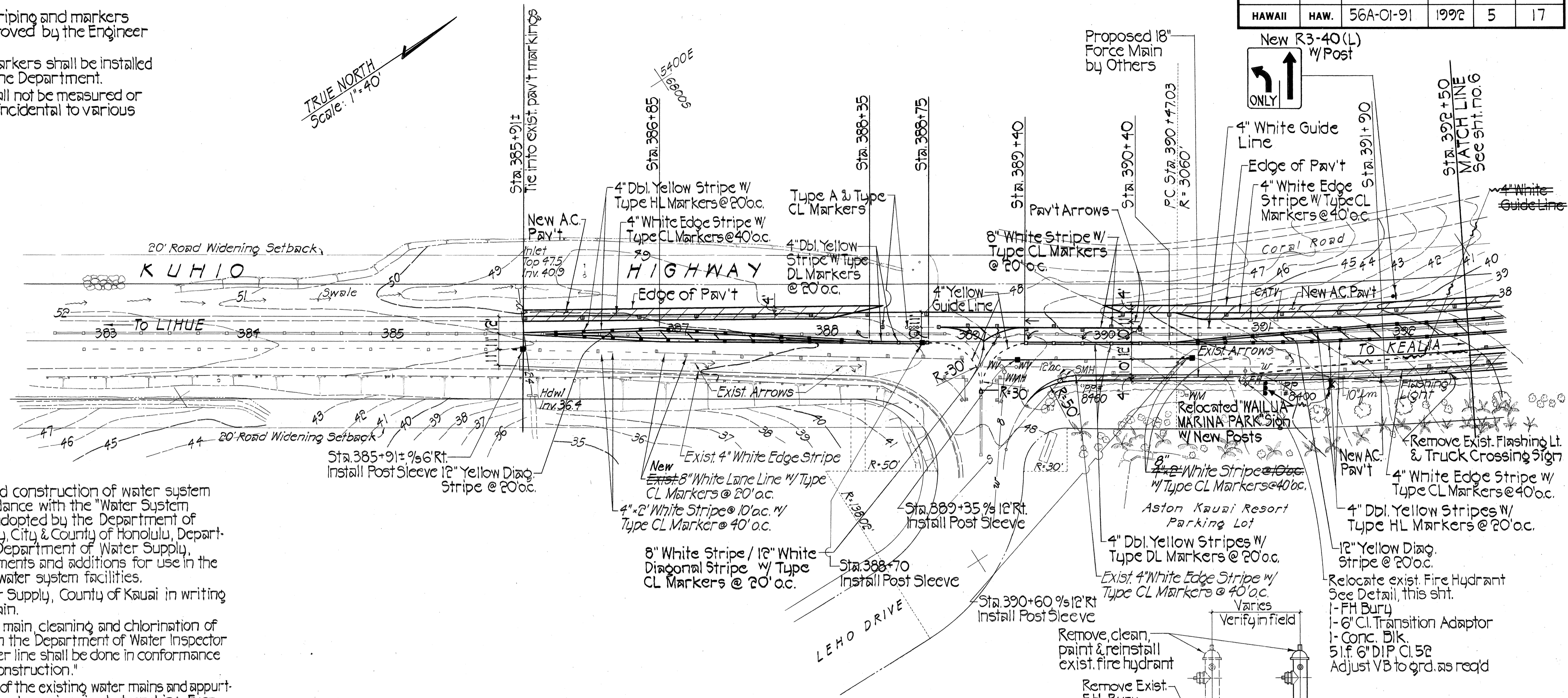


# PAVEMENT MARKING NOTES

1. Staking and layout for pavement marking, striping and markers shall be by the Contractor and shall be approved by the Engineer prior to installation.
2. All striping, marking and raised pavement markers shall be installed in accordance with the Standard Plans of the Department.
3. Removal of striping, markers and arrows shall not be measured or paid for separately but shall be considered incidental to various items of work listed in the Proposal.

FED. ROAD DIST. NO.	STATE	PROJ. NO.	FISCAL YEAR	SHEET NO.	TOTAL SHEETS
HAWAII	HAW.	56A-01-91	1992	5	17

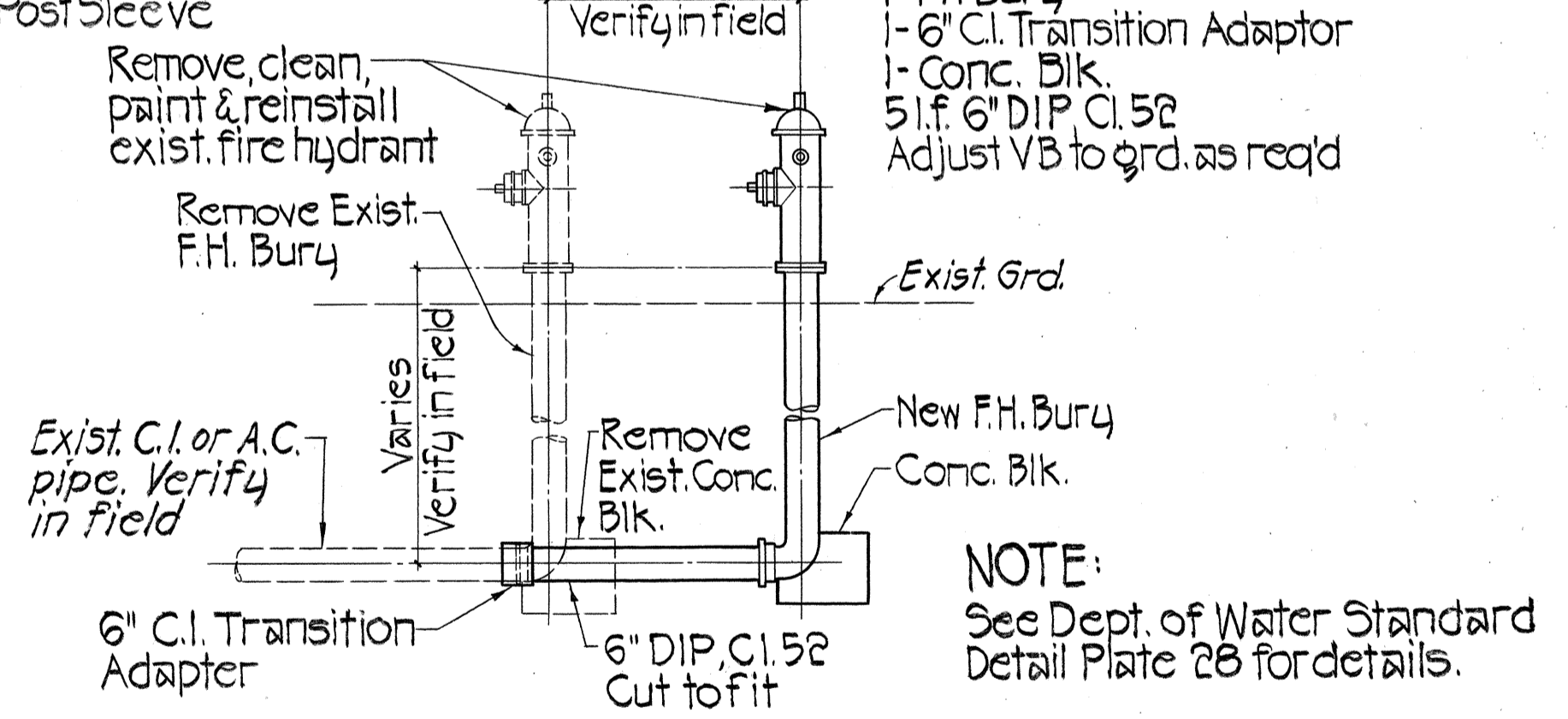


# WATER NOTES

1. Unless otherwise specified, all materials and construction of water system facilities and appurtenances shall be in accordance with the "Water System Standards" Volume I and Volume II, 1985 as adopted by the Department of Water, County of Kauai, Board of Water Supply, City & County of Honolulu, Department of Water Supply, County of Maui and Department of Water Supply, County of Hawaii, and all subsequent amendments and additions for use in the design and construction of the Department's water system facilities.
2. The Contractor shall notify Department of Water Supply, County of Kauai in writing one week prior to commencing work on the main.
3. Unless specified, connections to existing water main, cleaning and chlorination of new mains shall be done by the Contractor with the Department of Water Inspector coordinating the work. Disinfection of the water line shall be done in conformance with "Standard Specifications for Water Works Construction."
4. The Contractor shall verify in the field the location of the existing water mains and appurtenances. The Contractor shall expose the existing water main prior to trenching. Excavation around existing water mains shall be done by hand.
5. The Contractor shall whenever necessary, properly sheet and brace all excavations to render it secure and shall remove all such sheeting and bracing before completions of the backfill. For all water mains, the minimum cover requirement (from top of pipe to finish grade over pipe) is 3 feet.
6. Payment for cleaning all installed pipelines shall not be measured nor paid for directly but shall be considered incidental to the project.
7. Trench excavation, backfilling in lifts and repaving shall conform to the "Standard Specifications for Public Works Construction", dated September 1986.
8. The Contractor shall submit the name of its authorized Superintendent on the job.
9. The Contractor shall arrange a pre-construction conference at least 10 days before construction and shall notify the Department at least 3 working days prior to start of construction.
10. The Contractor shall notify Department of Water, County of Kauai, at least 24 hours prior to any pipe laying, backfilling, testing or chlorination to insure the inspectional services will be available.
11. All nuts and bolts for use with flanged joints shall be hot-dipped galvanized.
12. In order to prevent unapproved materials from being ordered, the Contractor is invited to submit his material list description to Department of Water for cross-check before ordering any material from the supplier.
13. Prior to the connection of any pipeline installed under this job to the existing main, the pipeline installed shall be thoroughly cleaned, flushed & chlorinated.
14. Cleaning shall be by use of "Pigs" introduced into the pipeline and run completely through. "Pigs" shall consist of a cylindrical piece of polyurethane foam with density range of 1.25 to 1.45 pounds per cubic foot with a diameter 1" larger than the pipe to be cleaned and 18" long.
15. Existing fire hydrant(s) called out on the plans to be relocated shall be removed, cleaned, painted and reinstalled.
16. The Contractor shall arrange for a pre-construction meeting with the

# LEGEND FOR PAVEMENT STRIPES & MARKERS

- Existing Raised Pavement Markers
- Existing Striping
- Type A Raised Pavement Marker
- Type CL Raised Pavement Marker @ 40' o.c.
- ▬ 8" White Stripe w/ Type CL Raised Pavement Markers @ 20' o.c. (Tape, Type I or Thermoplastic Extrusion)
- ▬ 4" Double Solid Yellow Stripe w/ Type DL or HL Raised Pavement Markers @ 20' o.c. (Tape, Type I or Thermoplastic Extrusion)
- ▬ 4" White Edge Stripe w/ Type CL Markers @ 40' o.c. (Tape, Type II or Thermoplastic Extrusion)
- ▬ 4" White or Yellow Guide Line (Thermoplastic Extrusion)
- ▬ Deceleration Lane Gore (Tape, Type II or Thermoplastic Extrusion) w/ Type CL Markers as indicated on the Plans
- ▬ Crosswalk and Stop Line (Thermoplastic Extrusion)
- ▬ Pavement Arrow (Tape, Type I or Thermoplastic Extrusion)
- ▬ Existing Pavement Arrow
- ONLY Pavement Word (Tape, Type I or Thermoplastic Extrusion)

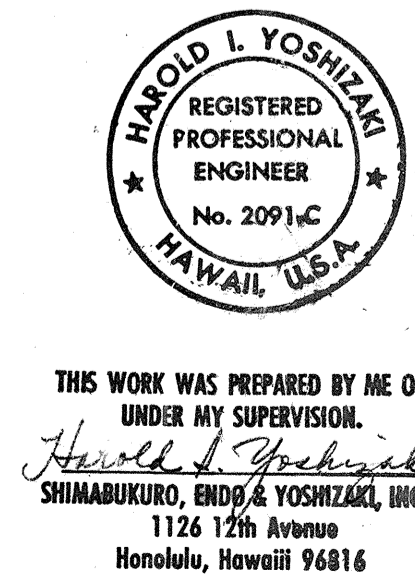


**TYP. FIRE HYDRANT RELOCATION DET.**  
Not to Scale

Department of Water at least one (1) week prior to construction.

17. The Contractor shall exercise extreme caution not to damage or break existing C.I. or A.C. Pipe water mains when excavation is over existing water mains. All damages or breaks shall be repaired and paid for by the Contractor.
18. If any work within the project limits conflicts with the existing water facilities, the Contractor at his own expense, shall relocate all water facilities in accordance with the Department of Water Standards.

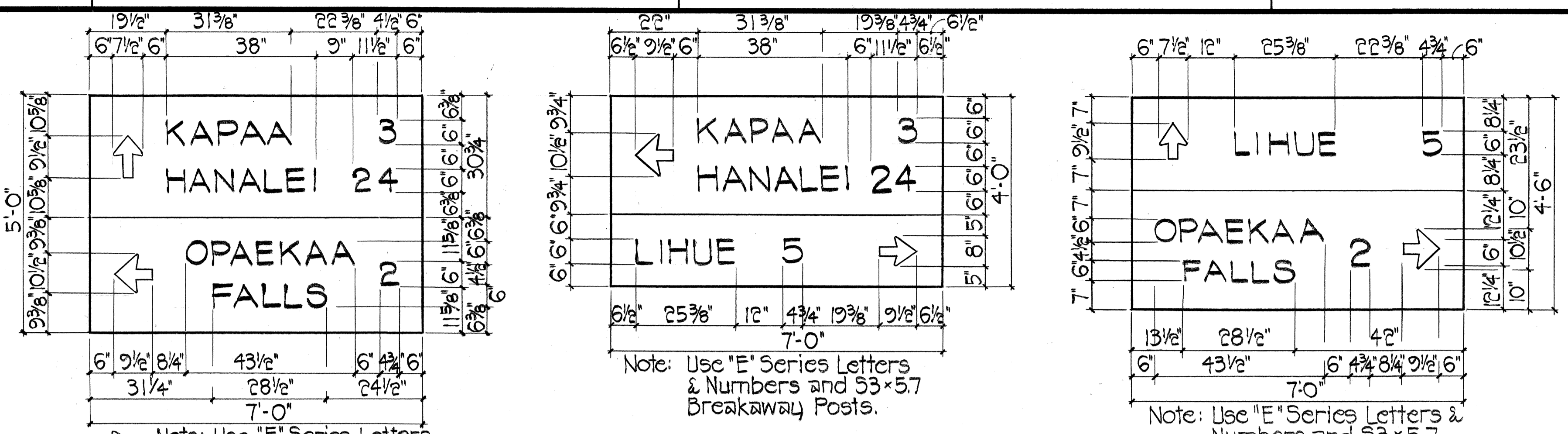
APPROVED:  
*Raymond H. Guts* 6-17-91  
MANAGER & CHIEF ENGINEER, DEPARTMENT OF WATER  
COUNTY OF KAUAI



STATE OF HAWAII  
DEPARTMENT OF TRANSPORTATION  
HIGHWAYS DIVISION  
**PAVEMENT STRIPING/MARKING & SIGNING PLAN**  
KUHIO HIGHWAY IMPROVEMENTS  
LEHO DRIVE TO HALEILIO ROAD  
PROJECT NO. 56A-01-91  
SCALE: AS NOTED DATE: AUG. 6, 1991  
SHEET No. 1 OF 4 SHEETS

DATE	.....
SURVEY PLOTTED BY	.....
DRAWN BY	.....
DESIGNED BY	.....
QUANTITIES BY	.....
CHECKED BY	.....
ORIGINAL PLAN	.....
NOTE BOOK	.....
No.	.....

FED. ROAD DIST. NO.	STATE	PROJ. NO.	FISCAL YEAR	SHEET NO.	TOTAL SHEETS
HAWAII	HAW.	56A-01-91	1992	6	17

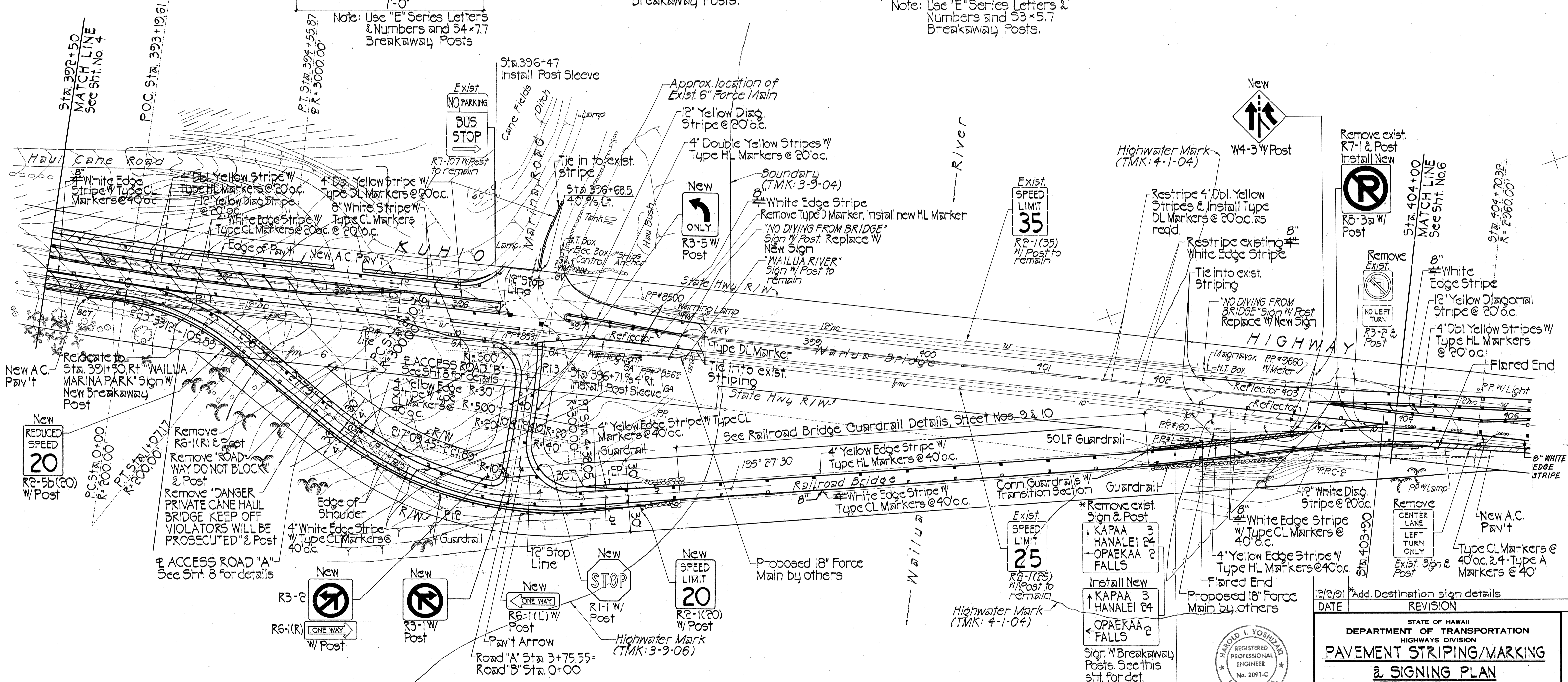


True North  
Scale: 1" = 40'

Note: Use "E" Series Letters & Numbers and 54 x 7.7 Breakaway Posts

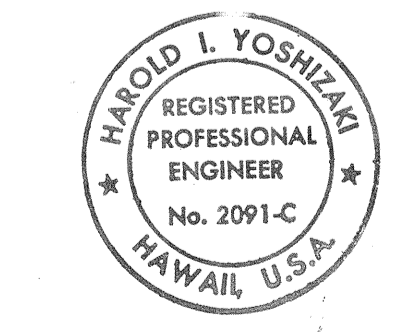
Note: Use "E" Series Letters & Numbers and 53 x 5.7 Breakaway Posts.

Note: Use "E" Series Letters & Numbers and 53 x 5.7 Breakaway Posts.



**PAVEMENT STRIPING/MARKING & SIGNING PLAN**  
Scale: 1" = 40'

DATE	.....
SURVEY PLOTTED BY	.....
DRAWN BY	.....
TRACED BY	.....
DESIGNED BY	.....
QUANTITIES BY	.....
CHECKED BY	.....
NO.	.....



THIS WORK WAS PREPARED BY ME OR UNDER MY SUPERVISION.  
Harold I. Yoshizaki  
SHIMAZUKURO, ENGINEER, YOSHIKAWA, INC.  
1124 12th Avenue  
Honolulu, Hawaii 96816

STATE OF HAWAII  
DEPARTMENT OF TRANSPORTATION  
HIGHWAYS DIVISION  
**PAVEMENT STRIPING/MARKING & SIGNING PLAN**  
KUHIO HIGHWAY IMPROVEMENTS  
LEHO DRIVE TO HALEILIO ROAD  
PROJECT NO. 56A-01-91  
SCALE: AS NOTED DATE: AUG. 6, 1991  
SHEET No. 2 OF 4 SHEETS

ADD. 6



