

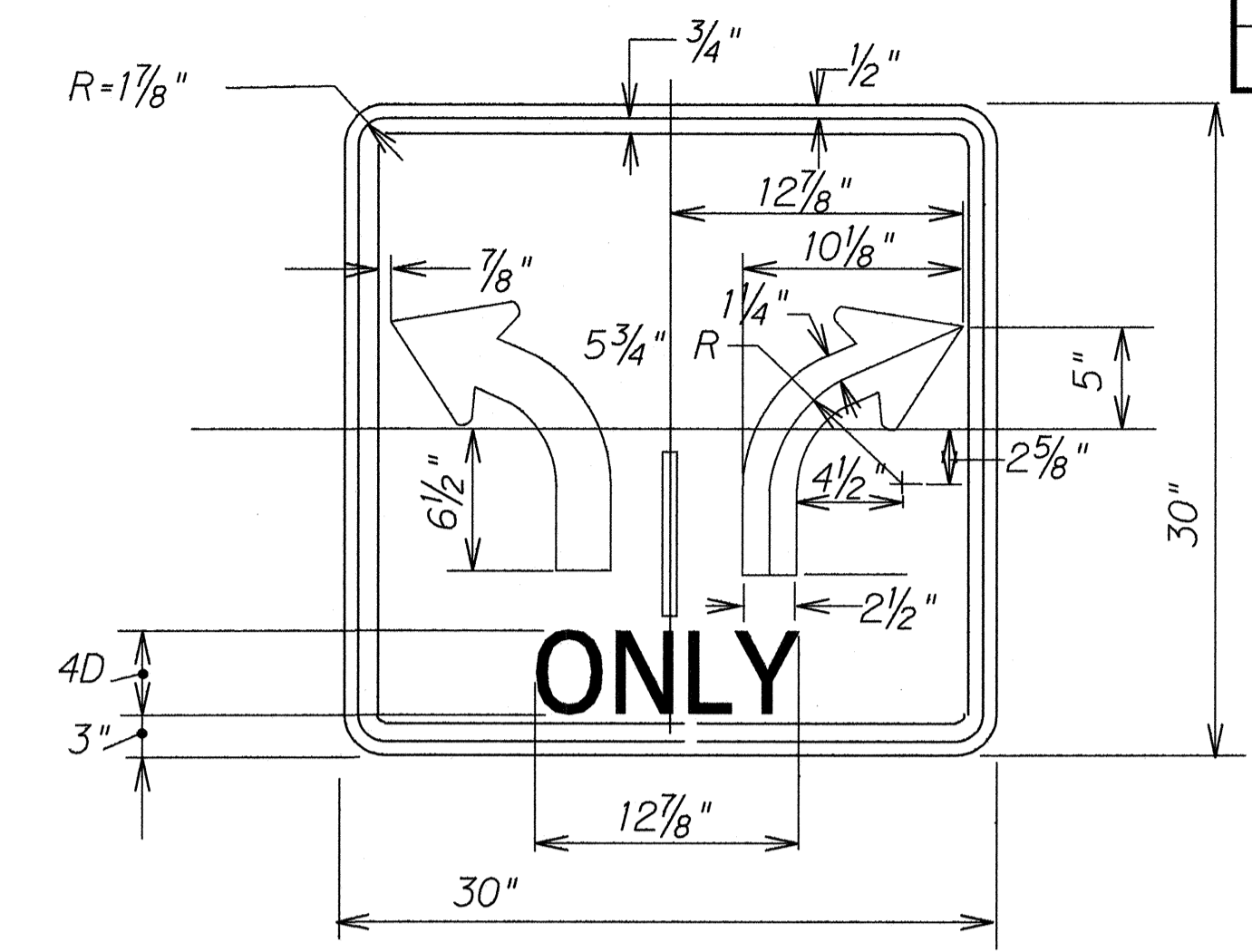
Notes:

1. See Sht. Nos. 11, 12, 13, & 14 for traffic signal plans.
2. See Sht. Nos. 5, 6, 7, & 8, for roadway improvement work.
3. New traffic lane widths shall match the existing traffic lane widths.

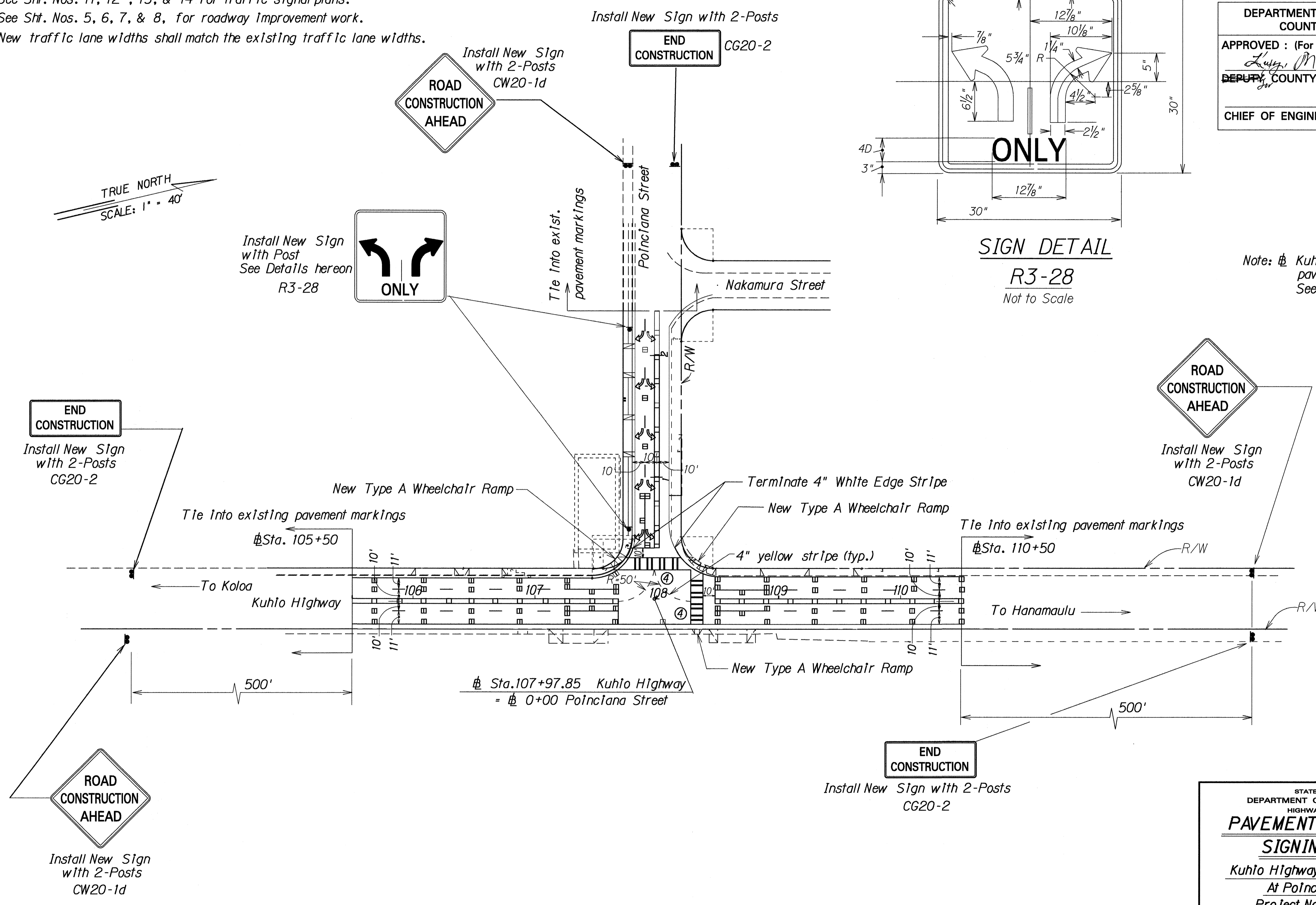
FED. ROAD DIST. NO.	STATE	PROJ. NO.	FISCAL YEAR	SHEET NO.	TOTAL SHEETS
HAWAII	HAW.	56A-02-93	1994	10	15

DEPARTMENT OF PUBLIC WORKS
 COUNTY OF KAUAI
 APPROVED: (For work within County R/W)
Lynn Masaki 9/19/94
 DEPUTY COUNTY ENGINEER DATE
 CHIEF OF ENGINEERING DATE

TRUE NORTH
 SCALE: 1" = 40'



Note: Φ Kuhio Highway is not Φ of pavement striping.
 See Note No. 3 hereon.



SURVEY PLOTTED BY	DATE
DRAWN BY	
DESIGNED BY	
QUANTITIES BY	
CHECKED BY	
ORIGINAL PLAN	
NOTE BOOK	
FOR	
CHECKED BY	

STATE OF HAWAII
 DEPARTMENT OF TRANSPORTATION
 HIGHWAYS DIVISION
PAVEMENT MARKING & SIGNING PLAN
 Kuhio Highway Traffic Signals
 At Poliniana Street
 Project No. 56A-02-93
 Scale: 1" = 40' Date: May, 1994
 SHEET No. T2 OF 7 SHEETS