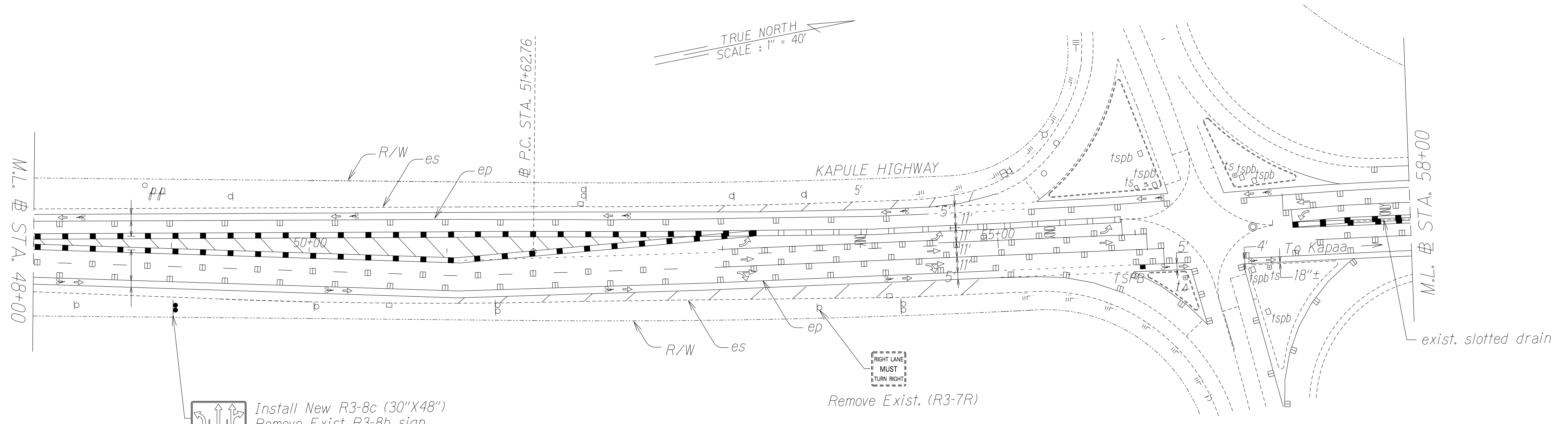
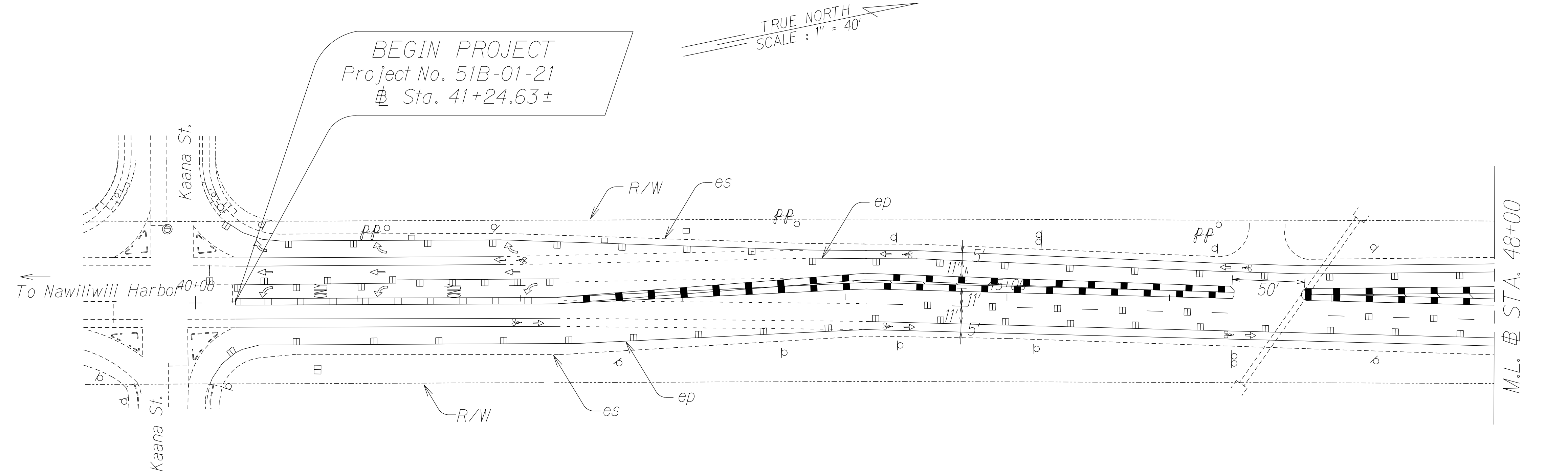


FED. ROAD DIST. NO.	STATE	PROJ. NO.	FISCAL YEAR	SHEET NO.	TOTAL SHEETS
HAWAII	HAW.	51B-01-21	2022	10	13



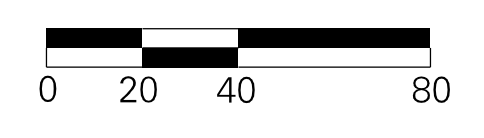
Install New R3-8c (30"X48")
Remove Exist R3-8b sign

OM-5 OM-5

(See R3-8c Det. on Plan Sht. 11)

Remove Exist. (R3-7R)

Note: Minimum distance/clearance between existing slotted drain and new pavement striping shall be 12".



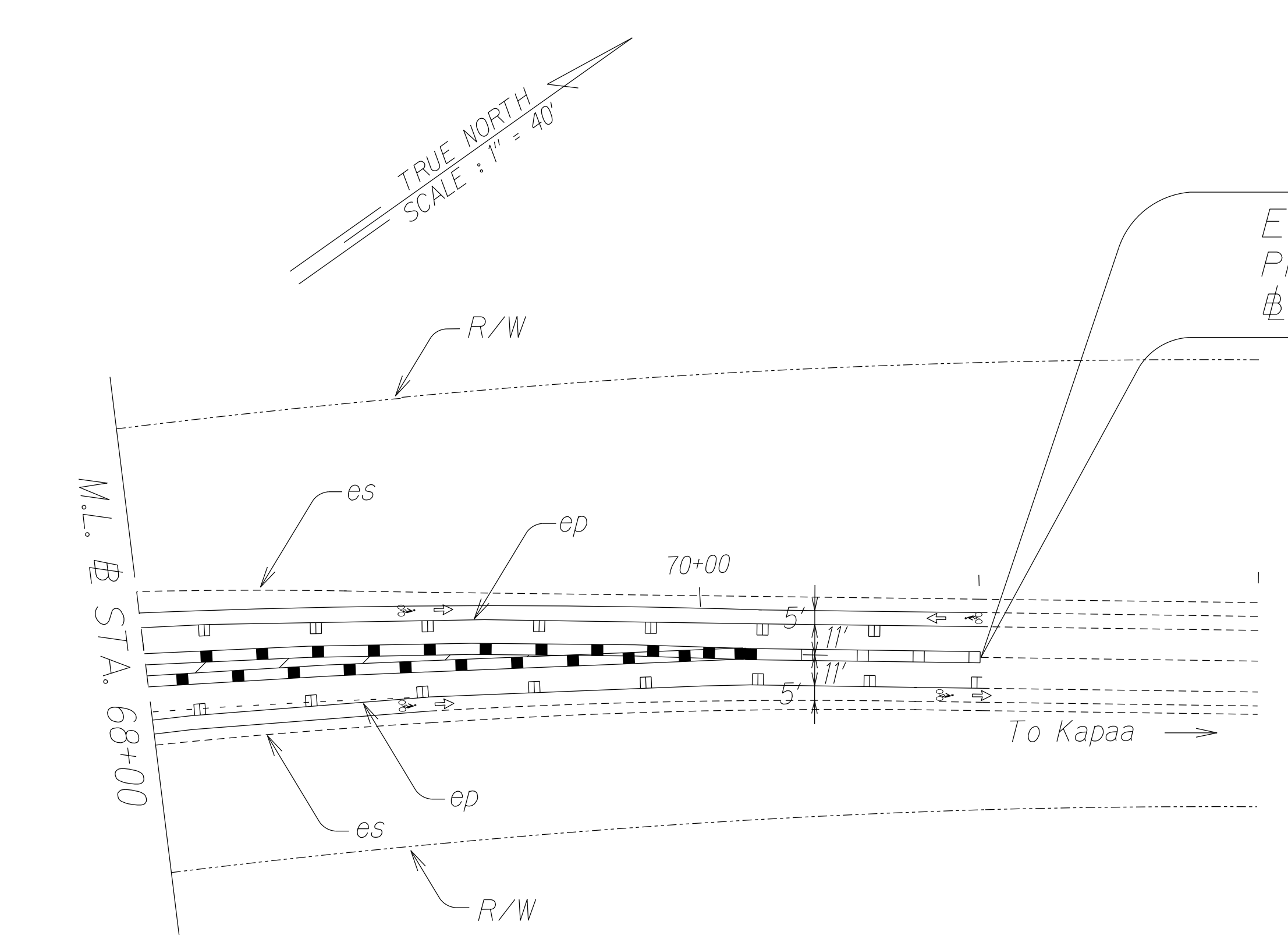
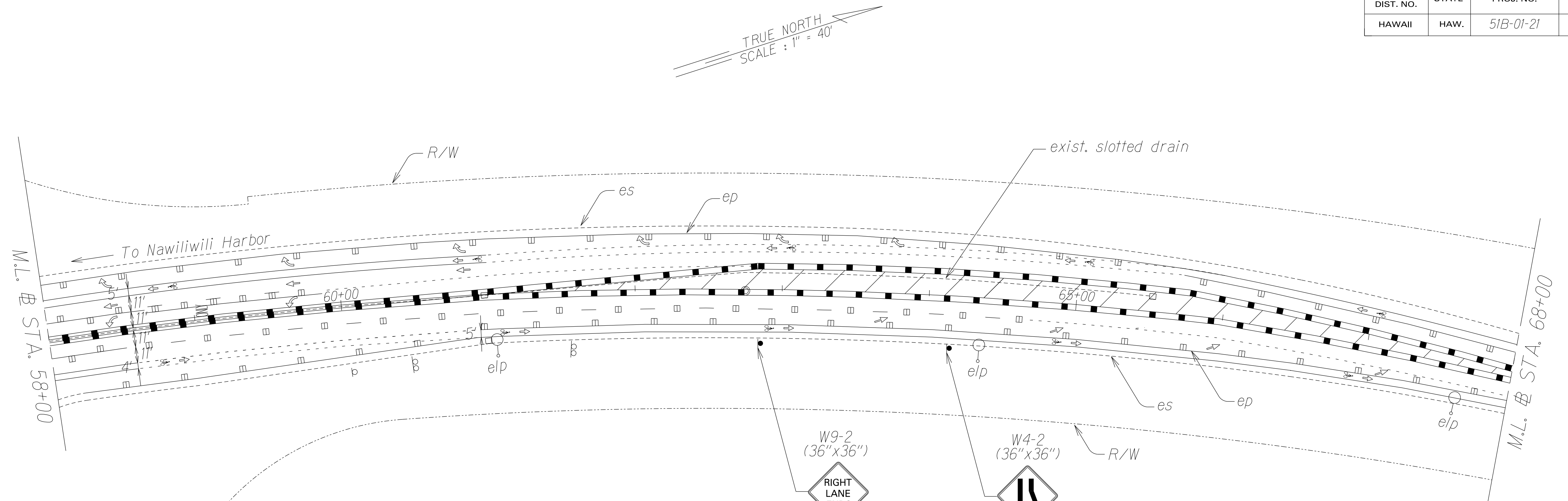
ORIGINAL PLAN	SURVEY PLOTTED BY	DATE
NOTE BOOK	DRAWN BY	X
QUANTITIES BY	DESIGNED BY	
CHECKED BY	CHECKED BY	

STATE OF HAWAII
DEPARTMENT OF TRANSPORTATION
HIGHWAYS DIVISION

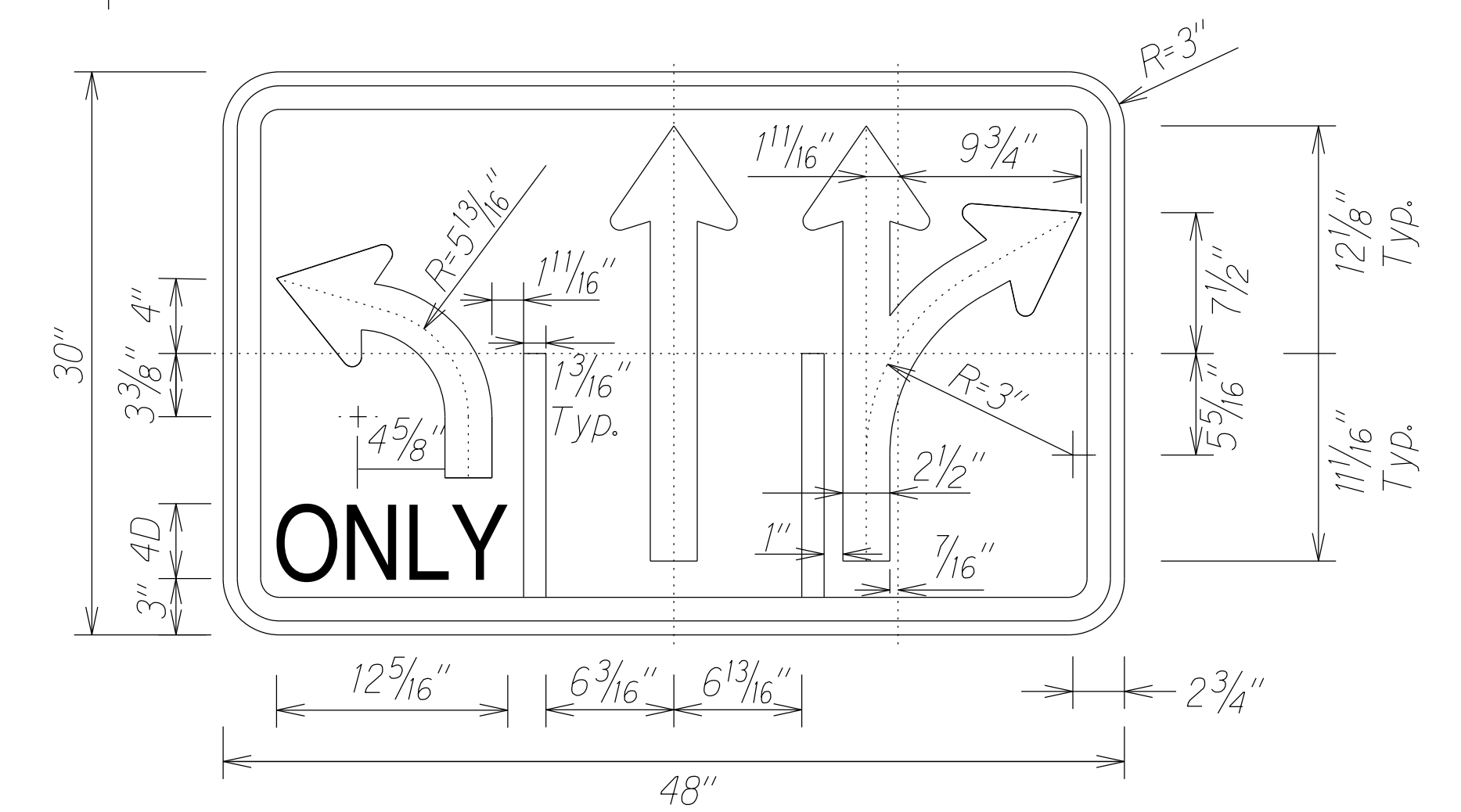
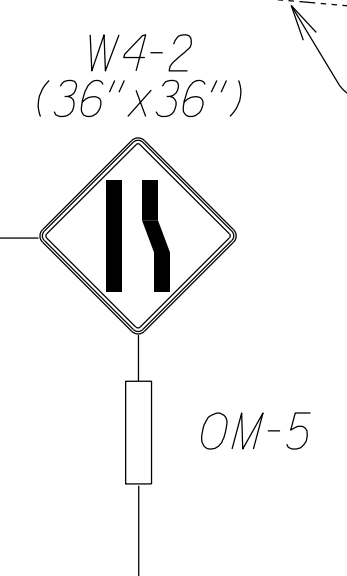
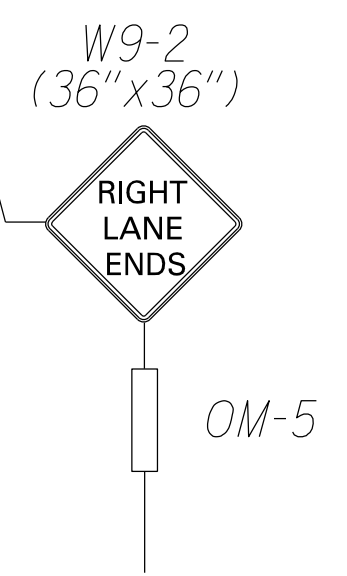
PAVEMENT MARKING
TRAFFIC SIGNING PLAN
KAPULE HIGHWAY INTERSECTION IMPROVEMENTS
at Ahukini Road
Project No. 51B-01-21
Scale: 1" = 40' Date: March 2022

SHEET No. 1 OF 2 SHEETS

FED. ROAD DIST. NO.	STATE	PROJ. NO.	FISCAL YEAR	SHEET NO.	TOTAL SHEETS
HAWAII	HAW.	51B-01-21	2022	11	13



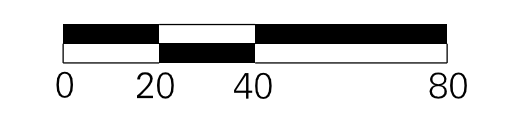
END PROJECT
Project No. 51B-01-21
Sta. 71+00



R3-8c
Not to Scale

ORIGINAL PLAN	DATE
DRAWN BY	X
DESIGNED BY	
QUANTITIES BY	
CHECKED BY	
DATE	

Note: Minimum distance/clearance between existing slotted drain and new yellow pavement striping shall be 12".



STATE OF HAWAII
DEPARTMENT OF TRANSPORTATION
HIGHWAYS DIVISION

PAVEMENT MARKING
TRAFFIC SIGNING PLAN
KAPULE HIGHWAY INTERSECTION IMPROVEMENTS
at Ahukini Road
Project No. 51B-01-21
Scale: 1" = 40' Date: March 2022

SHEET No. 2 OF 2 SHEETS