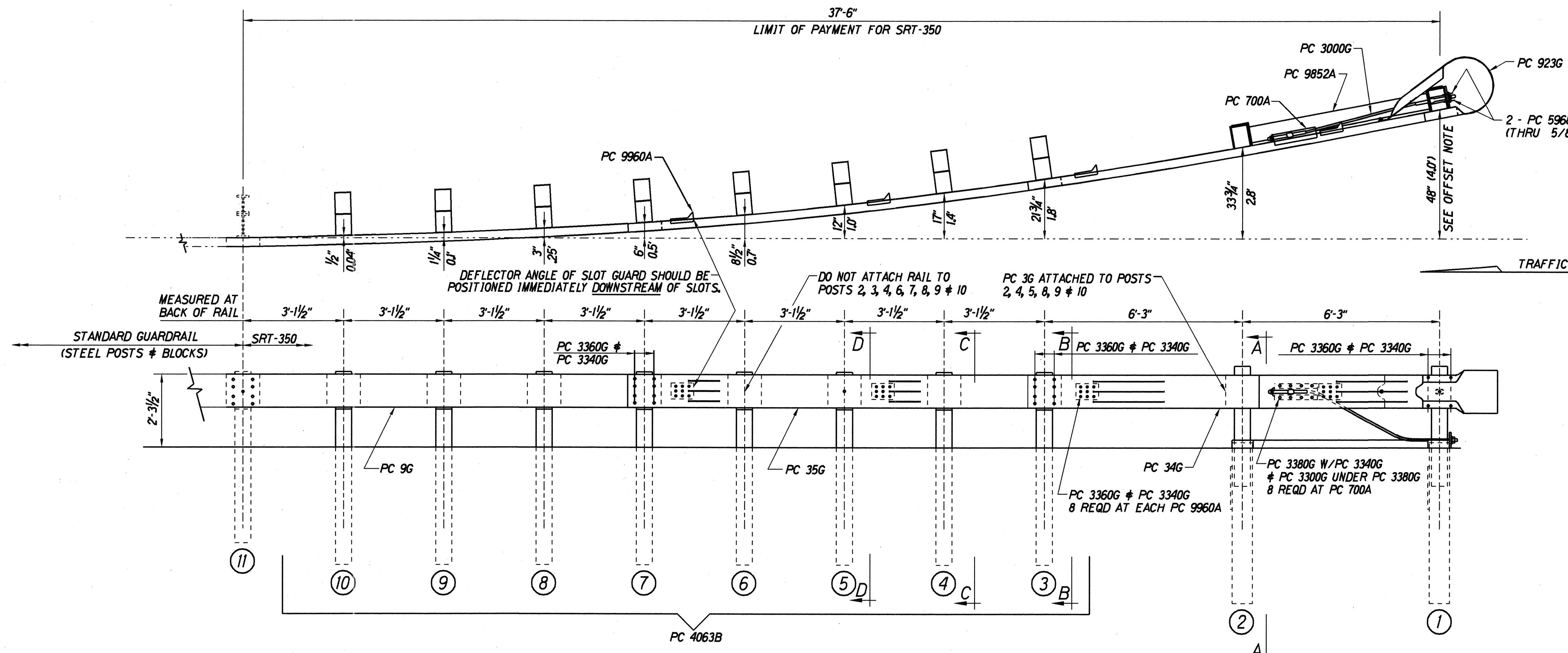
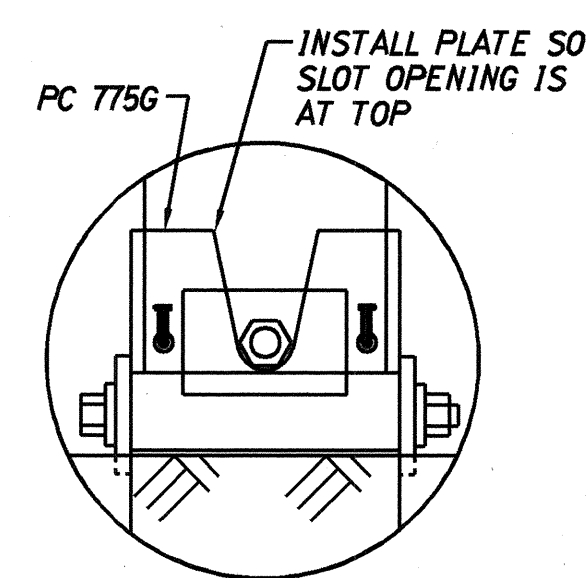


FED. ROAD DIST. NO.	STATE	PROJ. NO.	FISCAL YEAR	SHEET NO.	TOTAL SHEETS
HAWAII	HAW.	50E-01-98	1998	56	79

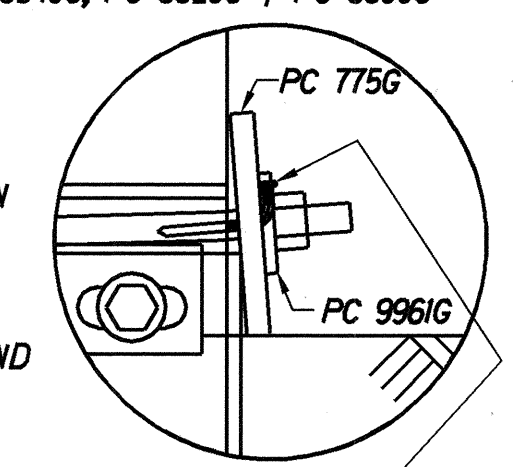


OFFSET NOTE:
 THE POST OFFSET DIMENSIONS ARE GIVEN TO THE CENTER OF THE TRAFFIC FACE OF THE BLOCKOUTS, EXCEPT AT THE FIRST TWO POSTS, WHERE THE DIMENSION IS TO THE CENTER OF THE TRAFFIC FACE OF THE POST. OFFSET POINTS ARE TO BE LOCATED BY CHORD MEASUREMENTS AT THE BACK OF THE RAIL EQUAL TO THE NOMINAL POST SPACINGS SHOWN. POSTS ARE TO BE SET APPROXIMATELY RADIAL TO THE RAILING AT EACH POST LOCATION.

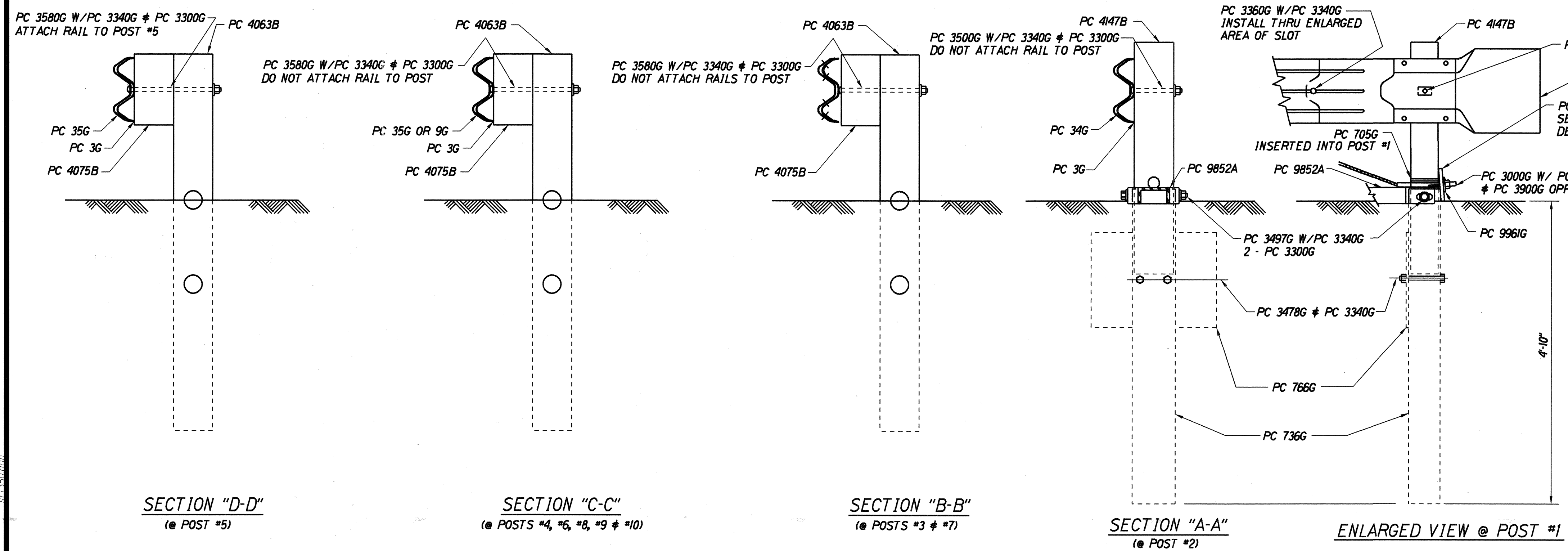
PC	QTY	DESCRIPTION
3G	7	1/2/12"/BACKUP (GUARDRAIL)
9G	1	1/2/126"/63/S (GUARDRAIL)
34G	1	1/2/126/S SRT-1 (GUARDRAIL)
35G	1	1/2/126/63/S SRT-2 (GUARDRAIL)
700A	1	CABLE ANCHOR BRACKET
705G	1	2"Ø x 5 1/2" PIPE
736G	2	5'Ø TUBE SLEEVE
766G	2	1/4x 18 x 24 SOIL PLATE
775G	1	3/8x 6 x 8 BEARING PLATE
923G	1	1/2/BARRIER/98" (TERMINAL)
3000G	1	3/4x 8'6 CABLE
3300G	22	5/8" WASHER
3320G	1	3/16x 1 3/4x 3 WASHER
3340G	77	5/8" HEX NUT
3360G	53	5/8"Ø x 1 1/4" SPLICE BOLT
3380G	8	5/8"Ø x 1 1/2" HEX HD BOLT
3478G	4	5/8"Ø x 7 1/2" HEX HD BOLT
3497G	2	5/8"Ø x 9 1/2" HEX HD BOLT
3500G	2	5/8"Ø x 10" POST BOLT
3580G	8	5/8"Ø x 18" POST BOLT
3900G	1	1" WASHER
3910G	2	1" HEX NUT
4063B	8	6'Ø POST 6 x 8
4075B	8	14" BLOCK 6 x 8
4147B	2	3" 9 POST 5 1/2x 7 1/2
5968G	2	16d NAIL SRT
9852A	1	STRUT ASSEMBLY
9960A	4	SLOT GUARD
9961G	1	3/8x 3 x 4 PLATE WASHER



BEARING PLATE ORIENTATION



ENLARGED VIEW @ POST #1



SURVEY PLOTTED BY	DATE
DRAWN BY	
TRACED BY	
CHECKED BY	
ORIGINAL PLAN	
NOTE BOOK	
NO.	

STATE OF HAWAII
 DEPARTMENT OF TRANSPORTATION
 HIGHWAYS DIVISION
SRT-350
SLOTTED RAIL TERMINAL
 KAUNUALII HIGHWAY, KUHIU HIGHWAY &
 RICE STREET INTERSECTION IMPROVEMENTS
 PROJECT NO. 50E-01-98
 SCALE: AS SHOWN DATE:
 SHEET No. 1 OF 1 SHEETS