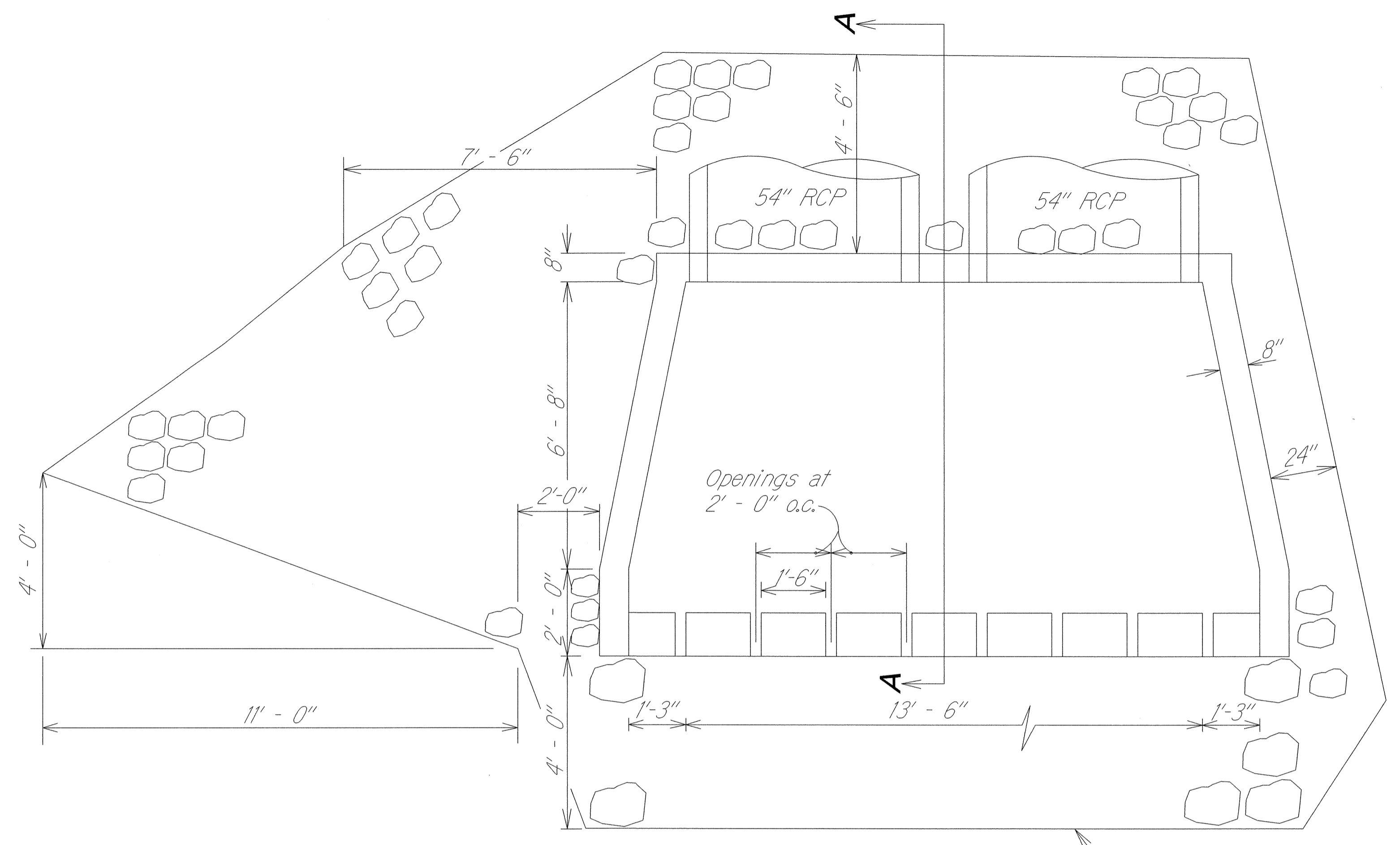
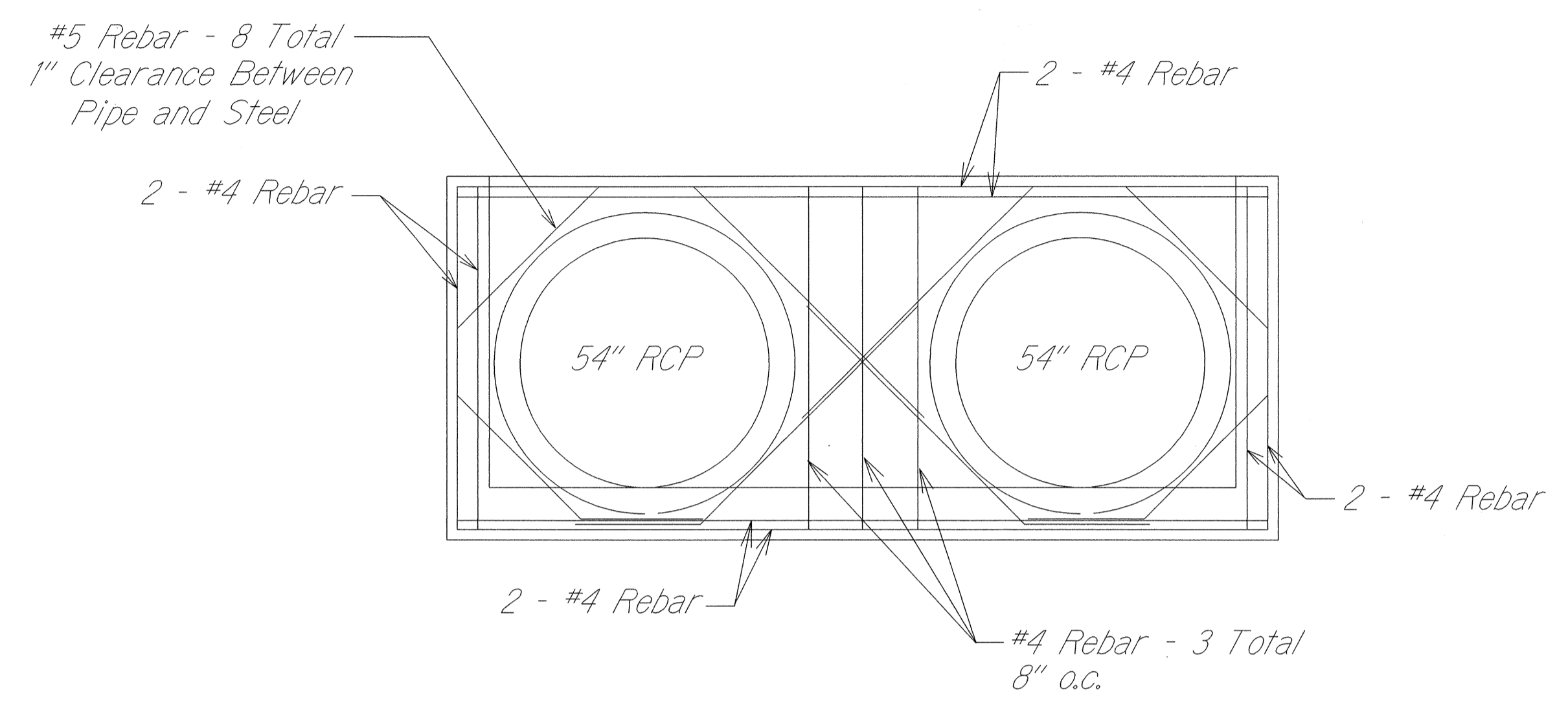


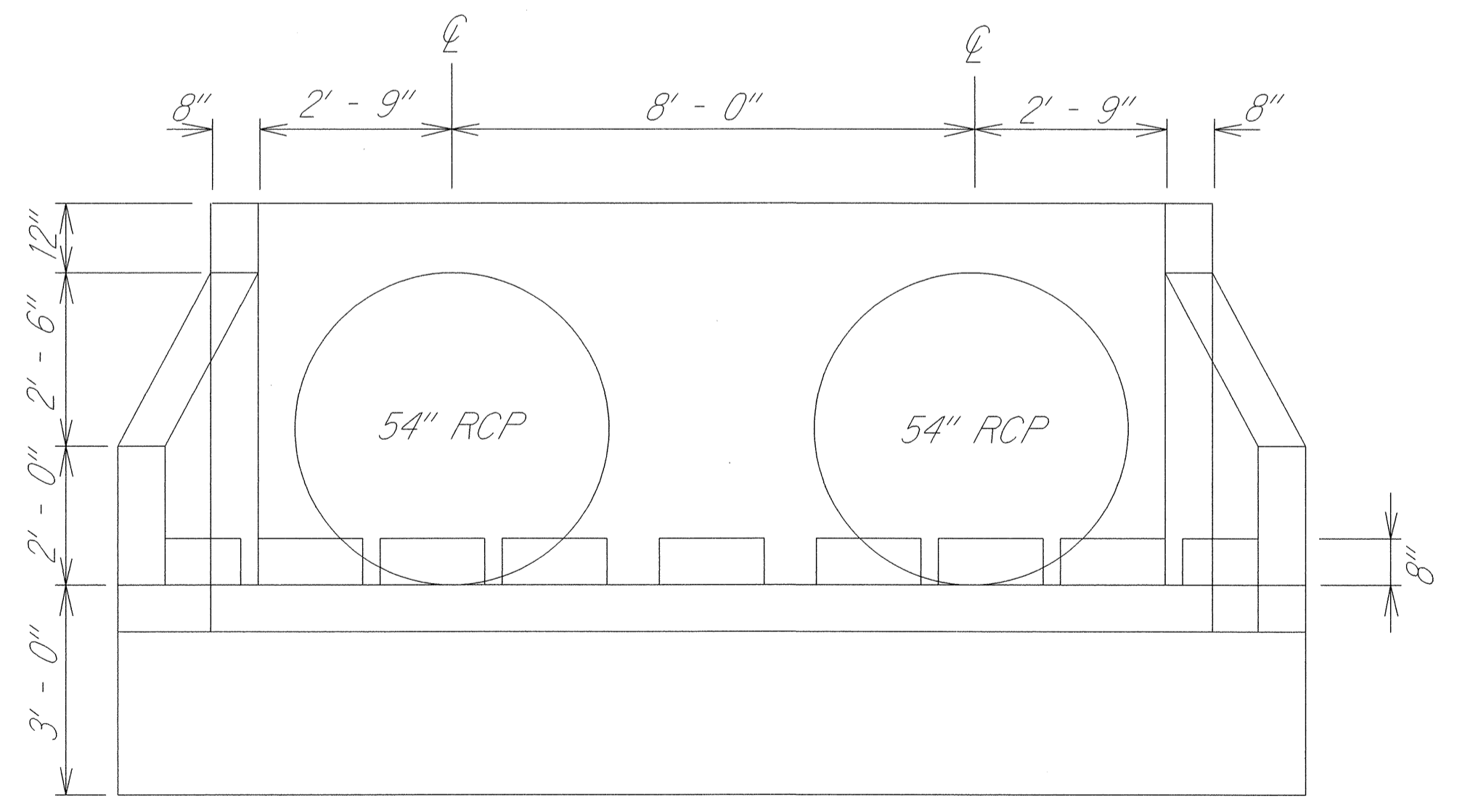
FED. ROAD DIST. NO.	STATE	PROJ. NO.	FISCAL YEAR	SHEET NO.	TOTAL SHEETS
HAWAII	HAW.	50B-02-99	2002	10	16



PLAN
Scale: 1/2" = 1'-0"

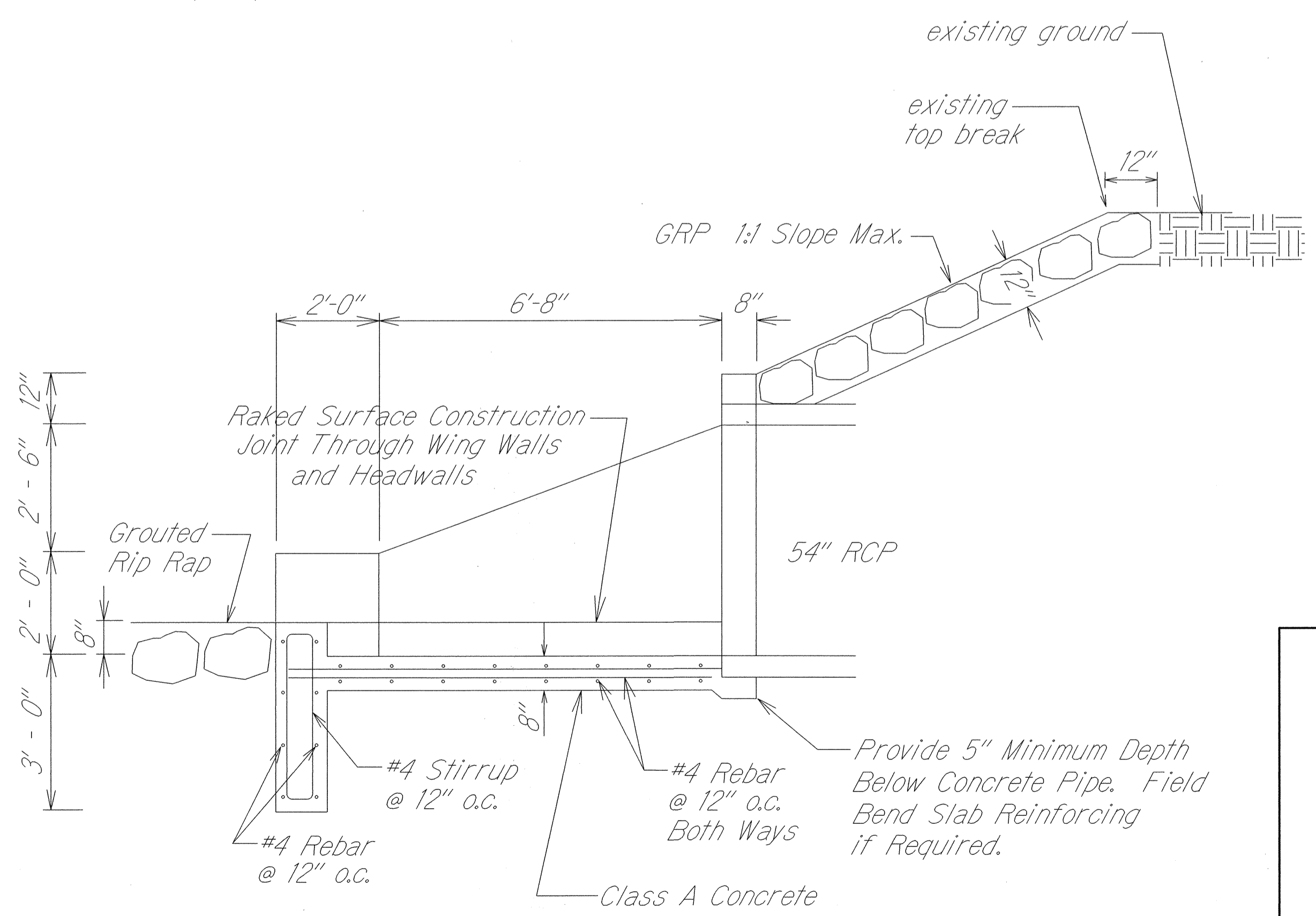


TYPICAL REINFORCEMENT AT PIPES
N.T.S.



FRONT ELEVATION

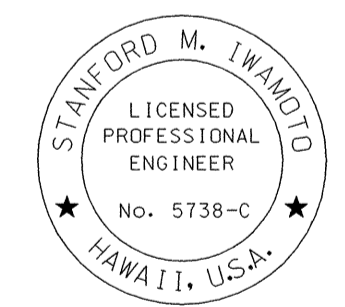
OUTLET STRUCTURE - TWIN 54" RCP
Scale: 1" = 2'



SECTION A-A
Scale: 1/2" = 1'-0"

SURVEY PLOTTED BY	DATE
DRAWN BY	
DESIGNED BY	
QUANTITIES BY	
CHECKED BY	
ORIGINAL PLAN	
NOTE BOOK	
No.	

ikmukt01.dgn



THIS WORK WAS PREPARED BY ME OR UNDER MY SUPERVISION

Signature

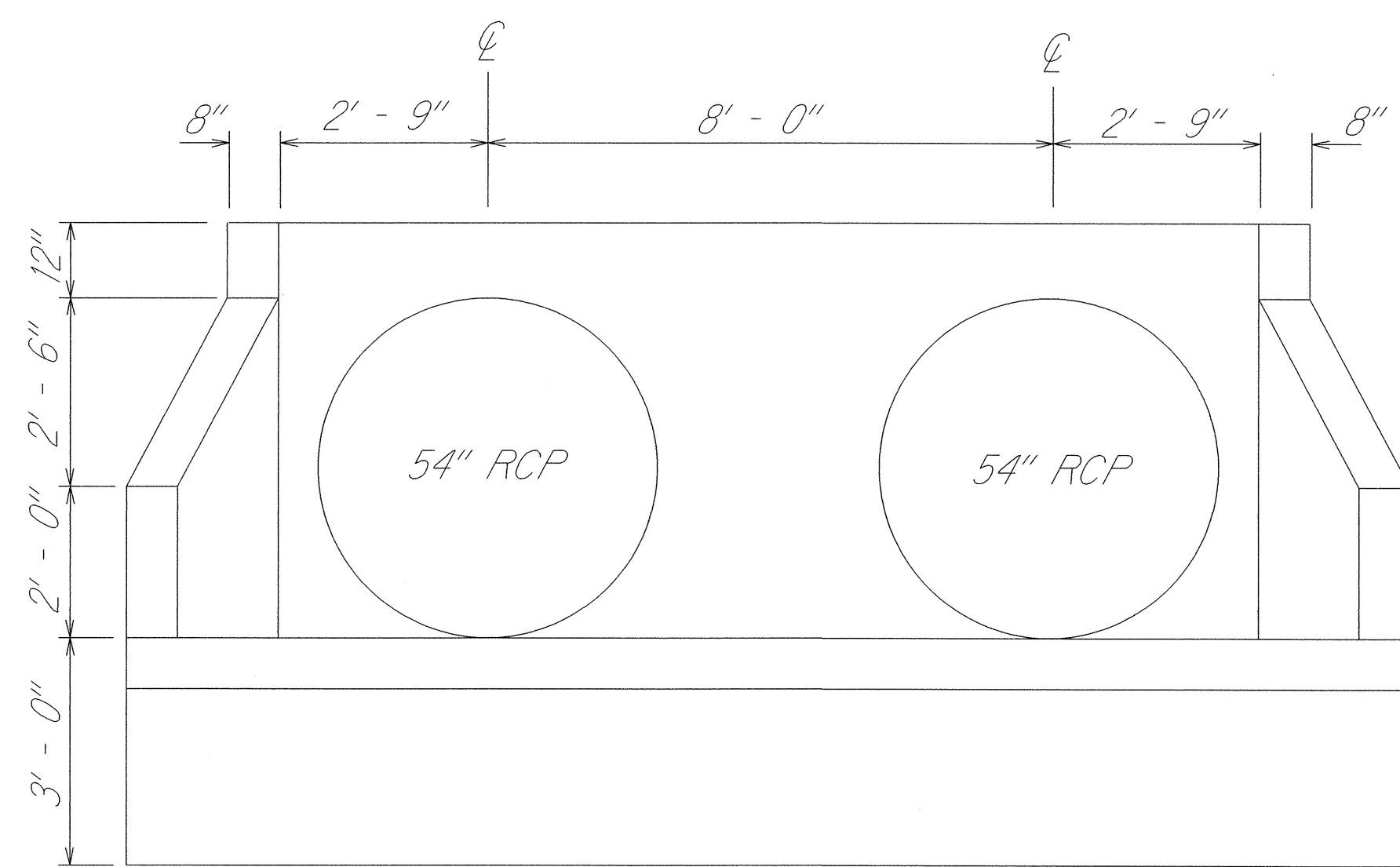
STATE OF HAWAII
DEPARTMENT OF TRANSPORTATION
HIGHWAYS DIVISION

DRAINAGE DETAILS

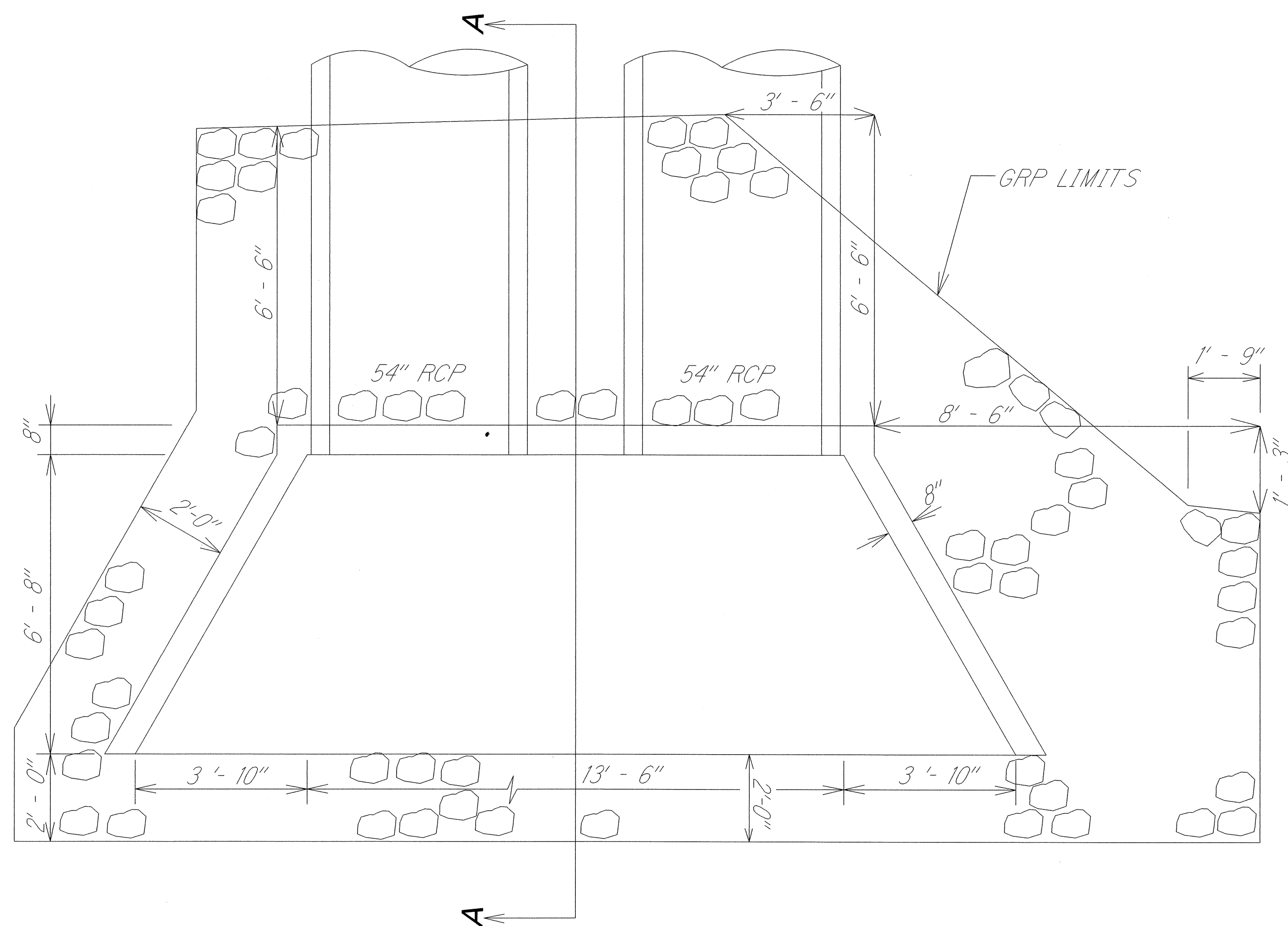
KAUMUALII HIGHWAY,
DRAINAGE IMPROVEMENTS
Vicinity of M.P. 22.0
Project No. 50B-02-99

Scale: As Shown Date: August, 2001
SHEET No. 1 OF 3 SHEETS

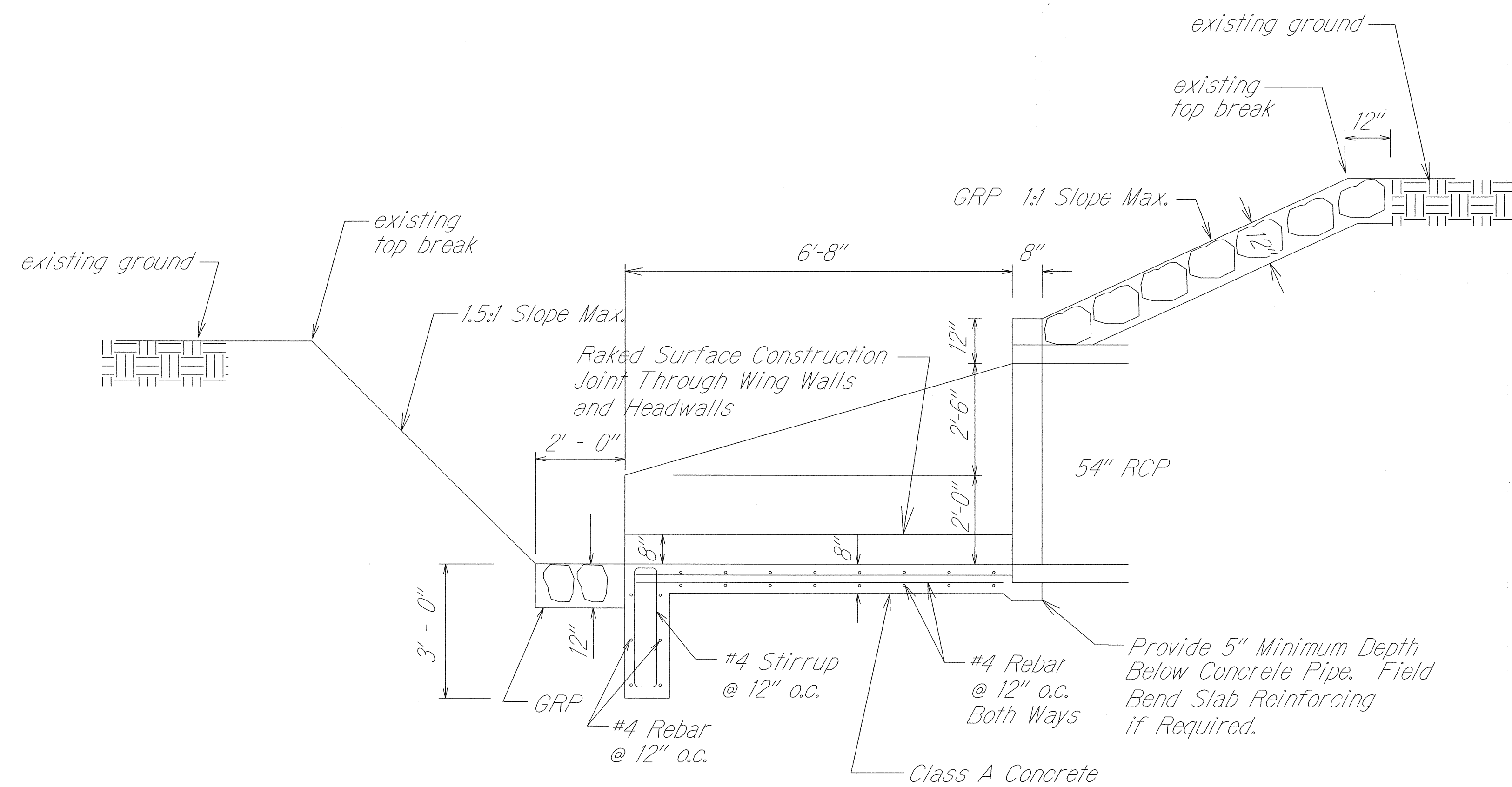
FED. ROAD DIST. NO.	STATE	PROJ. NO.	FISCAL YEAR	SHEET NO.	TOTAL SHEETS
HAWAII	HAW.	50B-02-99	2002	11	16



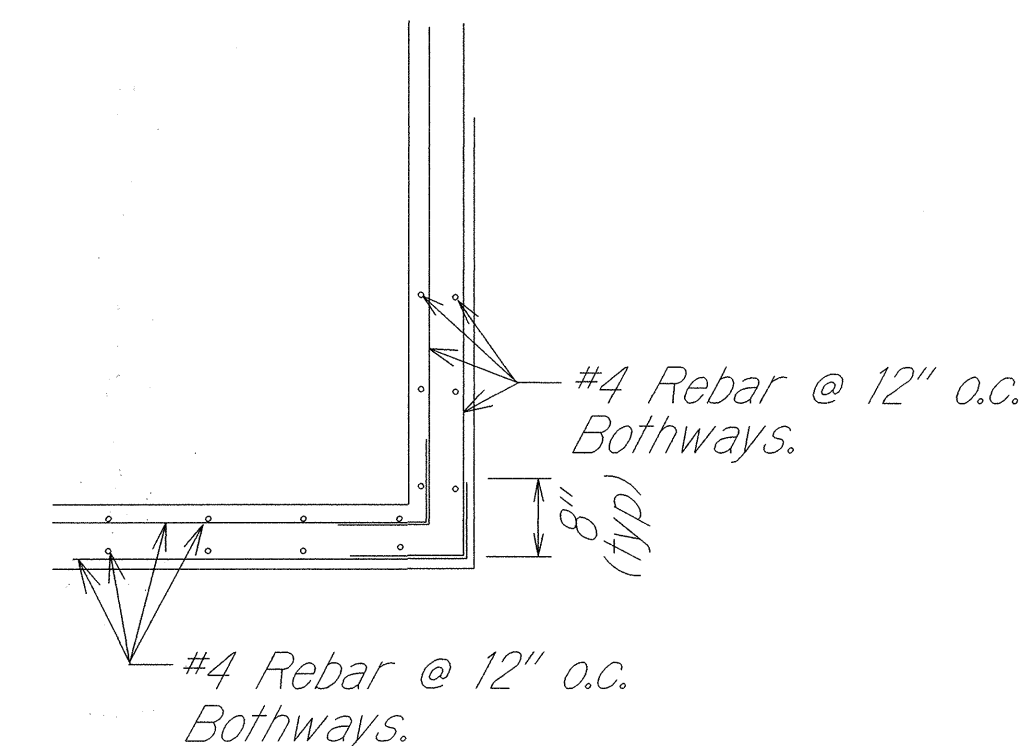
FRONT ELEVATION
Scale: 1/2" = 1'-0"



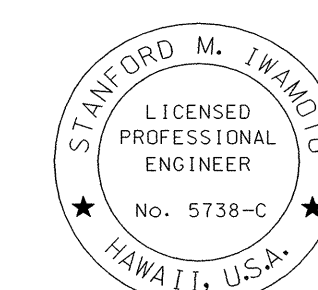
PLAN
INLET STRUCTURE - TWIN 54" RCP
Scale: 1/2" = 1'-0"



SECTION A-A
Scale: 1/2" = 1'-0"



TYPICAL WING WALL REINFORCING
Scale: 1/2" = 1'-0"



THIS WORK WAS PREPARED BY ME OR UNDER MY SUPERVISION

[Signature]
Signature

STATE OF HAWAII
DEPARTMENT OF TRANSPORTATION
HIGHWAYS DIVISION

DRAINAGE DETAILS

KAUMUALII HIGHWAY,
DRAINAGE IMPROVEMENTS
Vicinity of M.P. 22.0
Project No. 50B-02-99

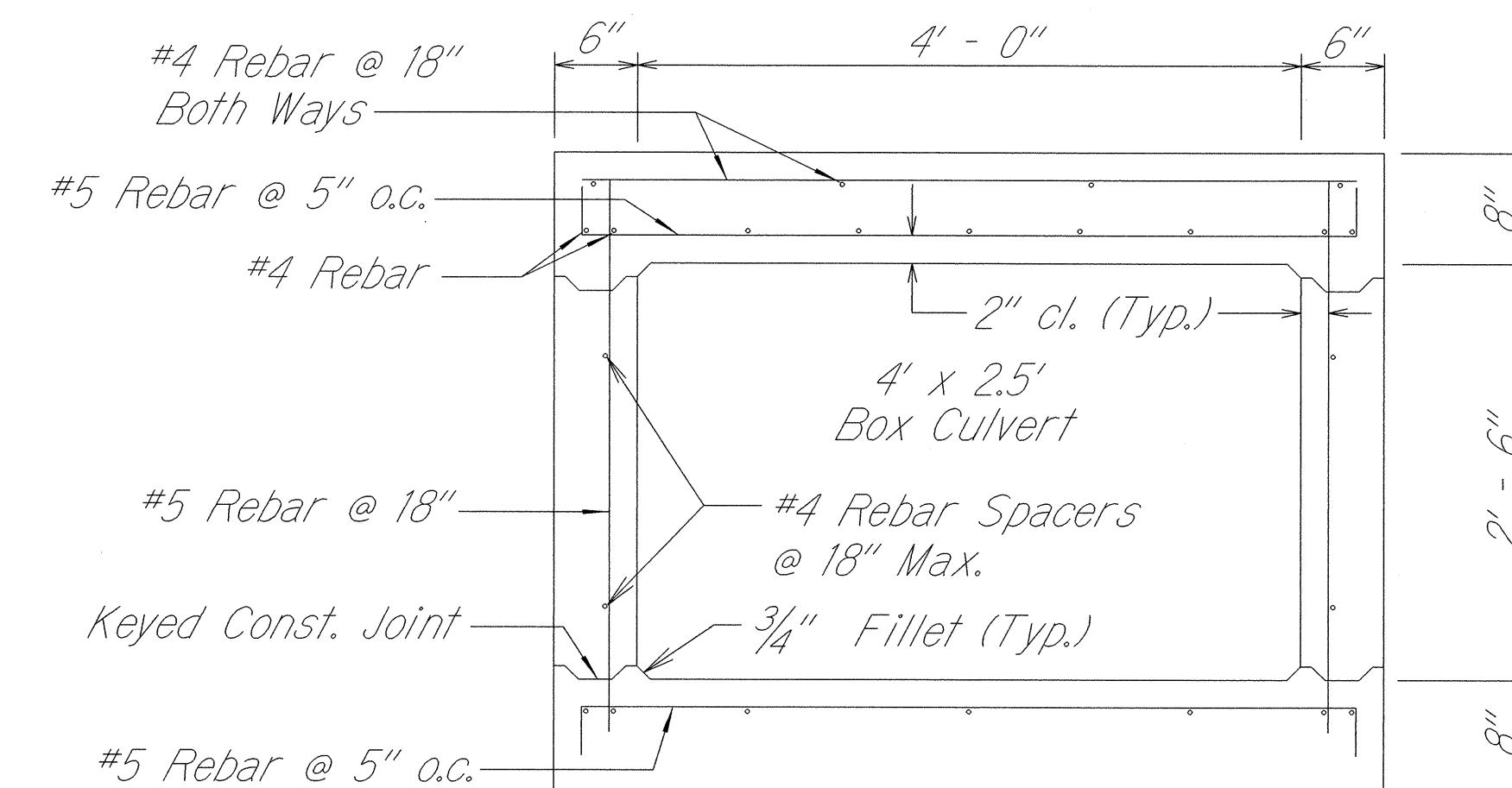
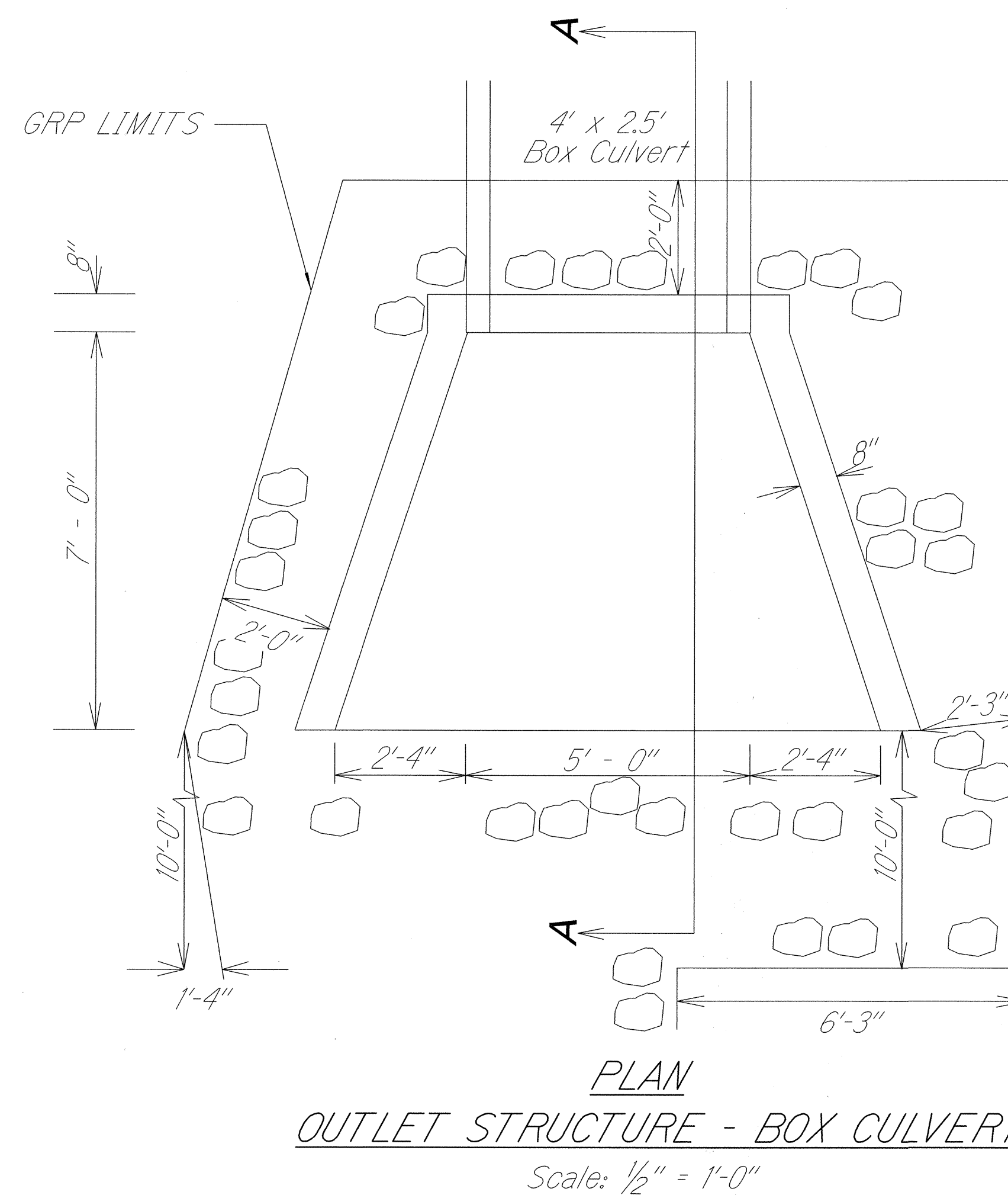
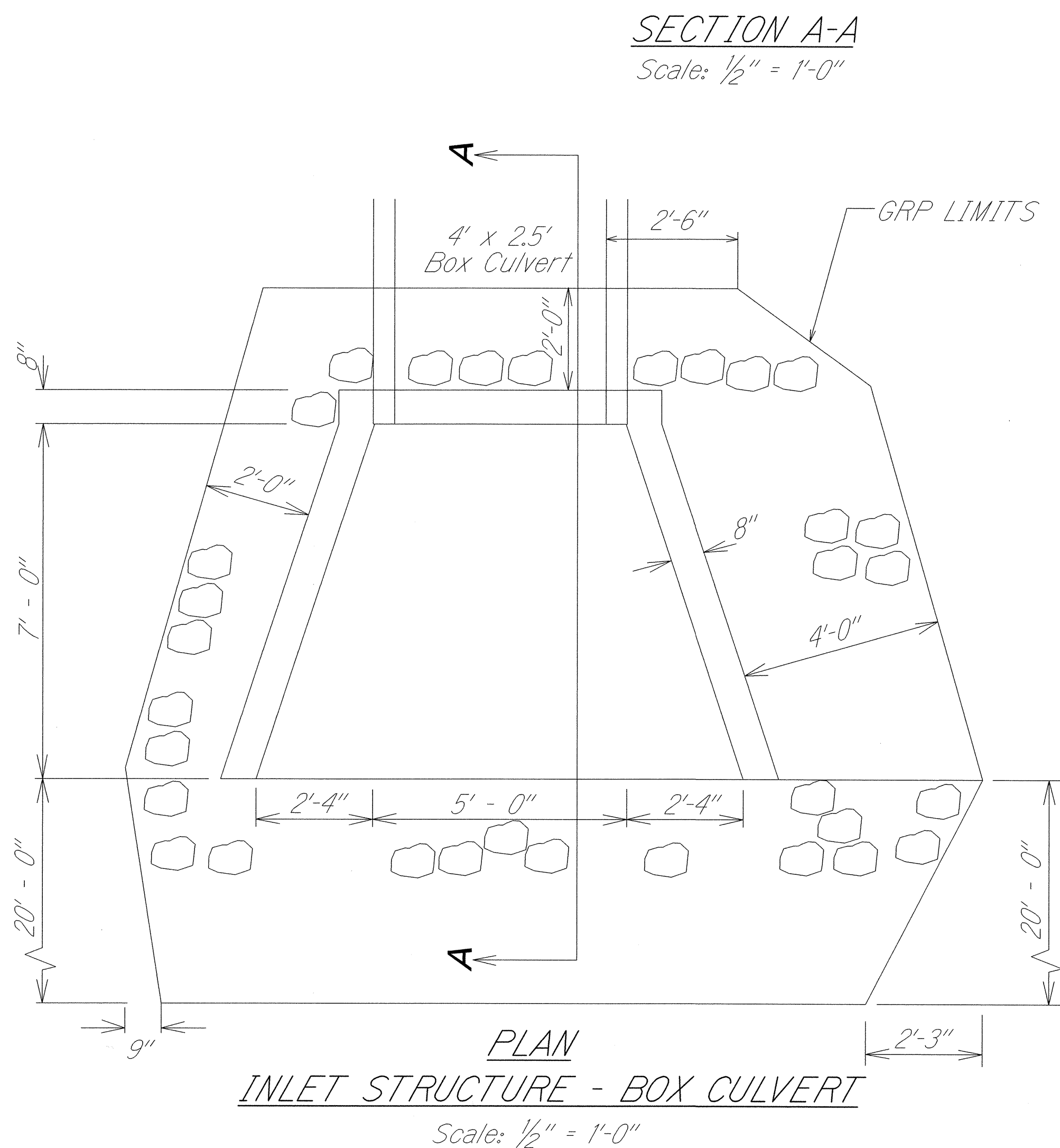
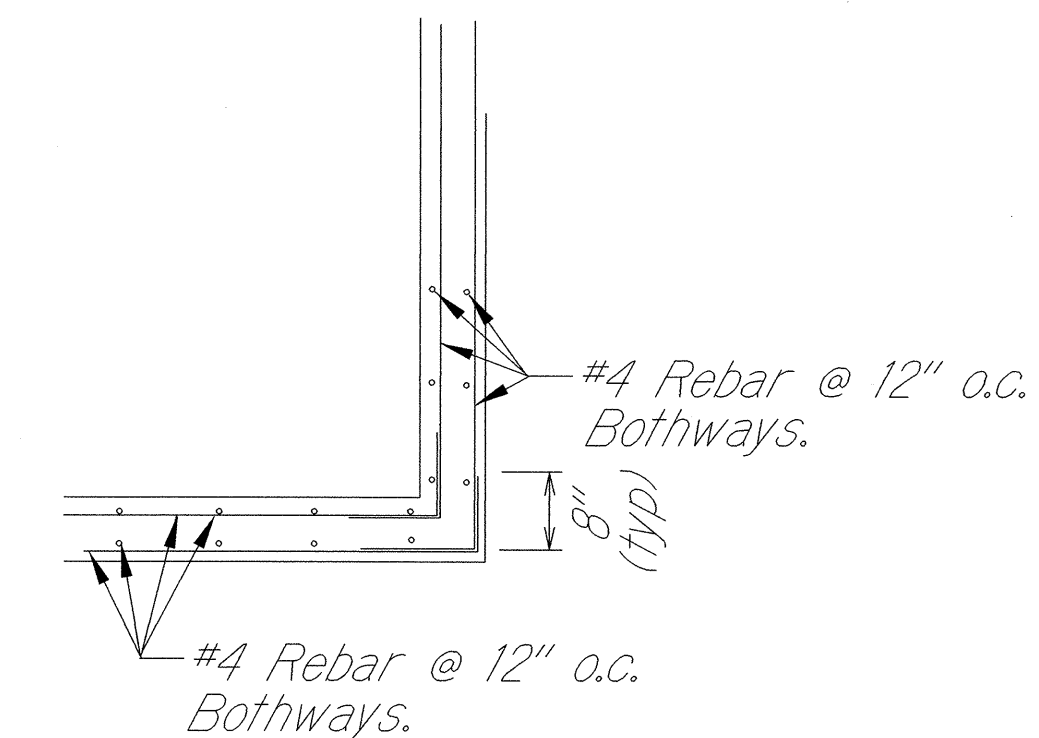
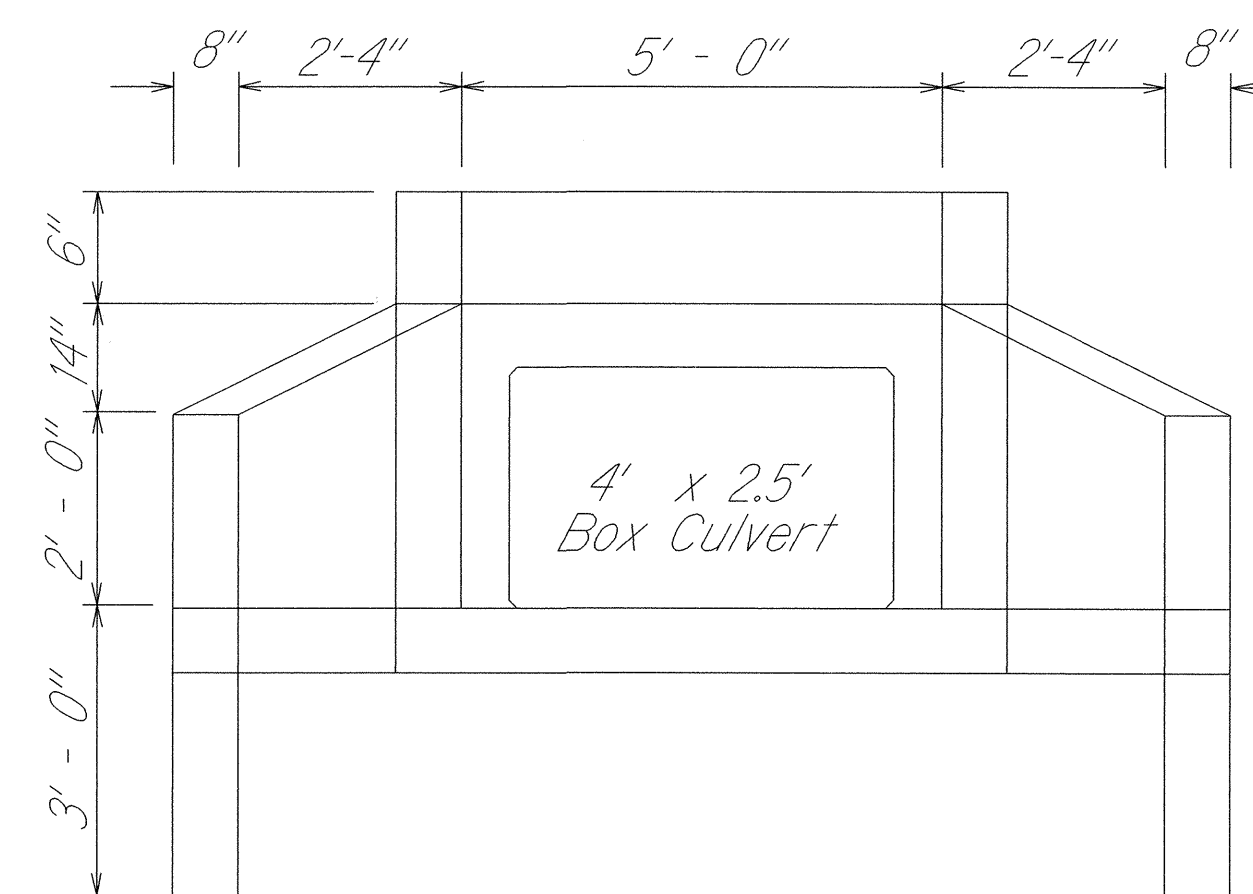
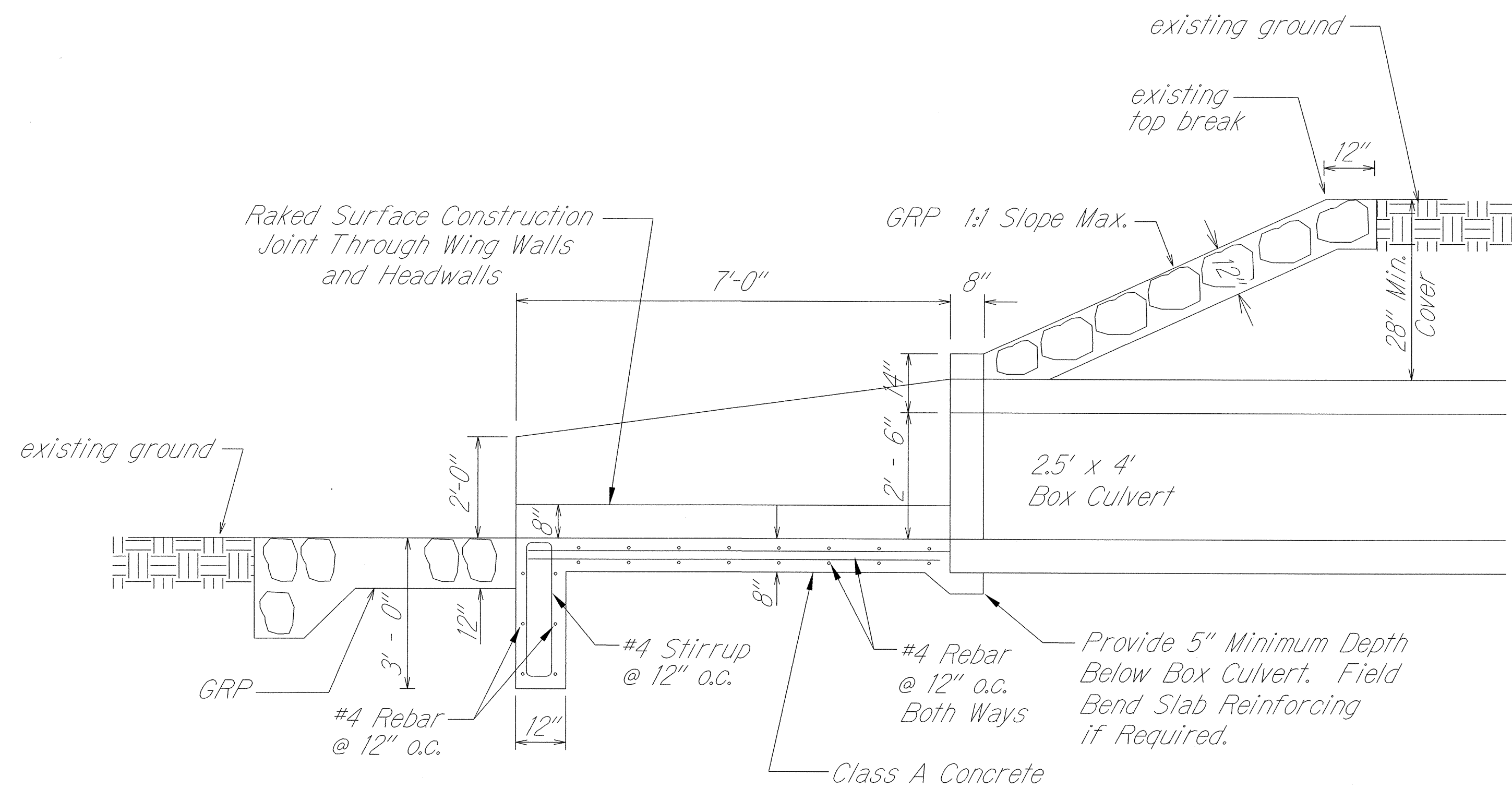
Scale: As Shown Date: August, 2001

SHEET No. 2 OF 3 SHEETS

SURVEY PLOTTED BY	DATE
DRAWN BY	
TRACED BY	
DESIGNED BY	
CHECKED BY	
NOTE BOOK	
NO.	

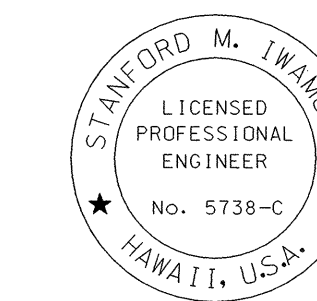
ikmukt01.dgn

FED. ROAD DIST. NO.	STATE	PROJ. NO.	FISCAL YEAR	SHEET NO.	TOTAL SHEETS
HAWAII	HAW.	50B-02-99	2002	12	16



SURVEY PLOTTED BY	DATE
DRAWN BY	
TRACED BY	
CHECKED BY	
DATE	
NO.	

ikmukts01.dgn



THIS WORK WAS PREPARED BY ME OR UNDER MY SUPERVISION

Signature

STATE OF HAWAII
DEPARTMENT OF TRANSPORTATION
HIGHWAYS DIVISION

DRAINAGE DETAILS

KAUMUALII HIGHWAY,
DRAINAGE IMPROVEMENTS
Vicinity of M.P. 22.0
Project No. 50B-02-99

Scale: As Shown Date: August, 2001

SHEET No. 3 OF 3 SHEETS