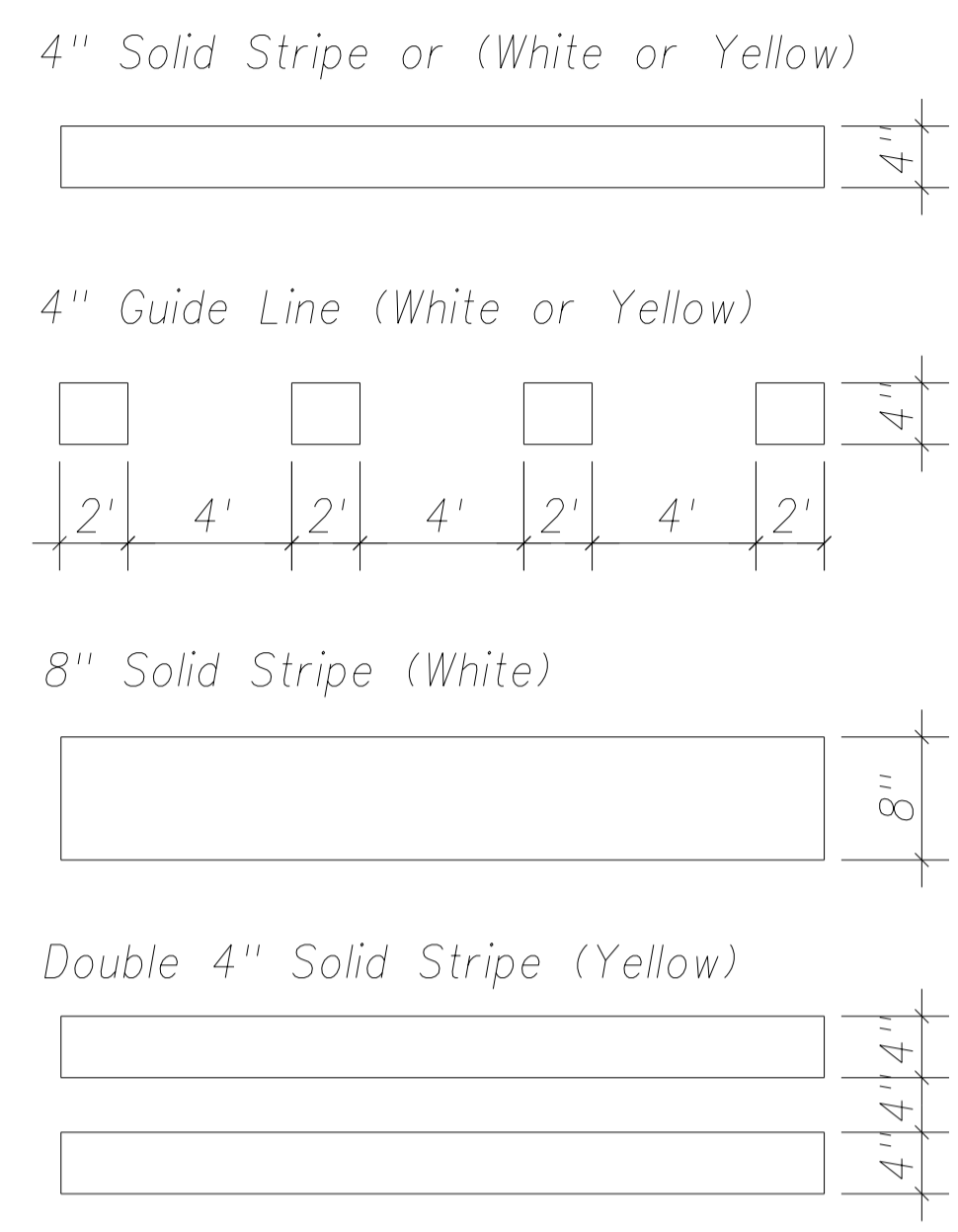
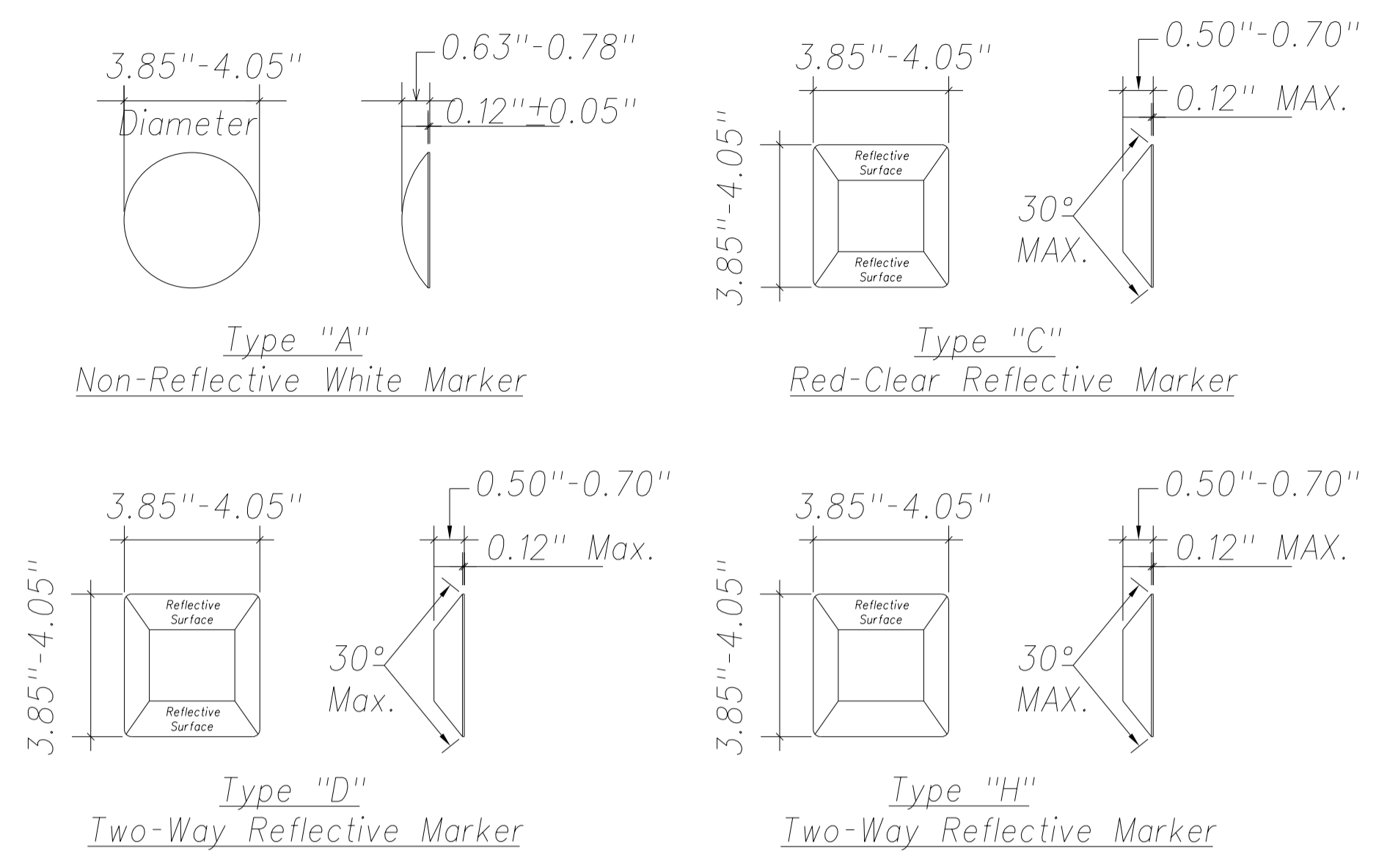


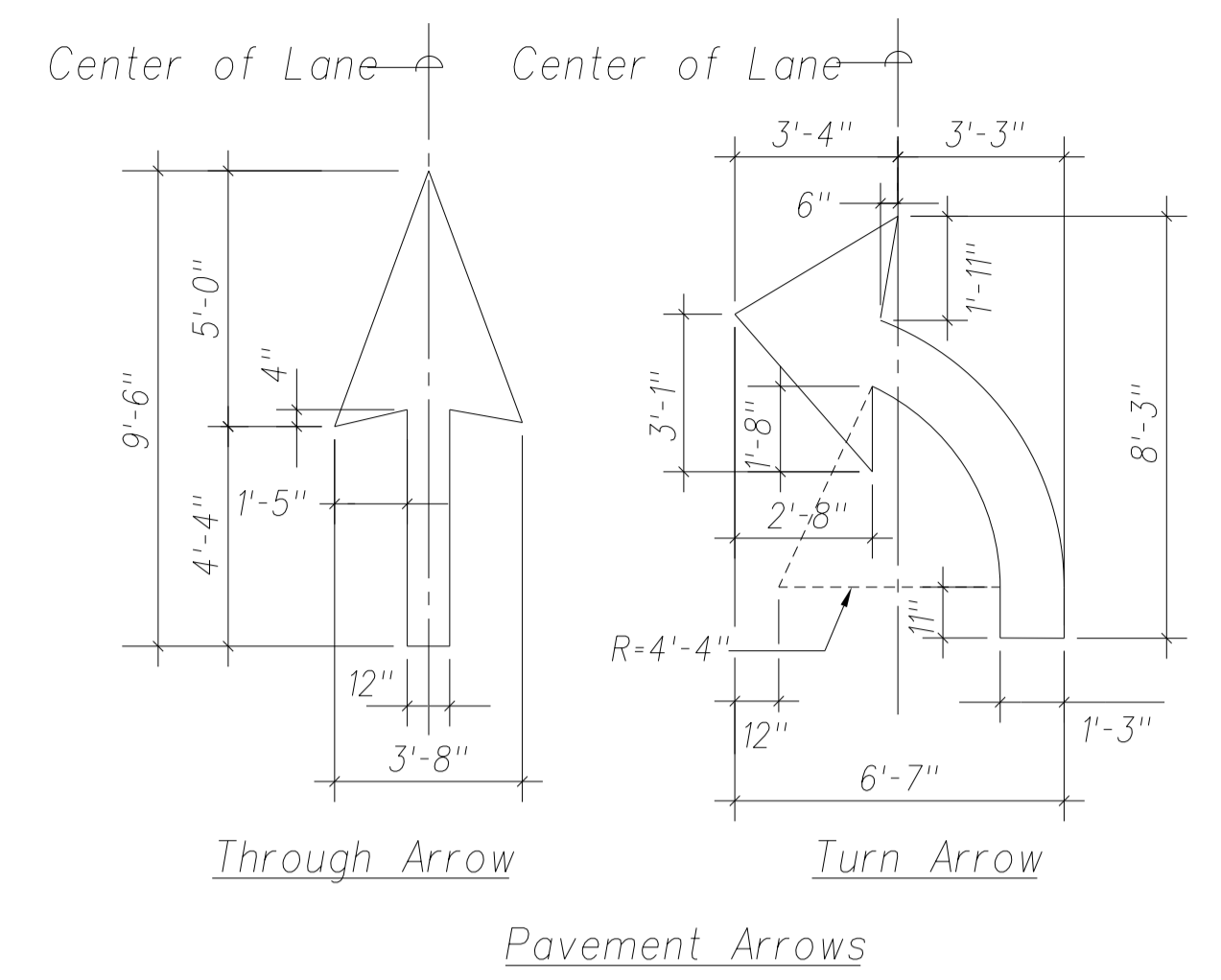
FED. ROAD DIST. NO.	STATE	FED. AID PROJ. NO.	FISCAL YEAR	SHEET NO.	TOTAL SHEETS
HAWAII	HAW.	ARR-050-11036	FY13/14	Model	141



Typical Pavement Markings
Not To Scale

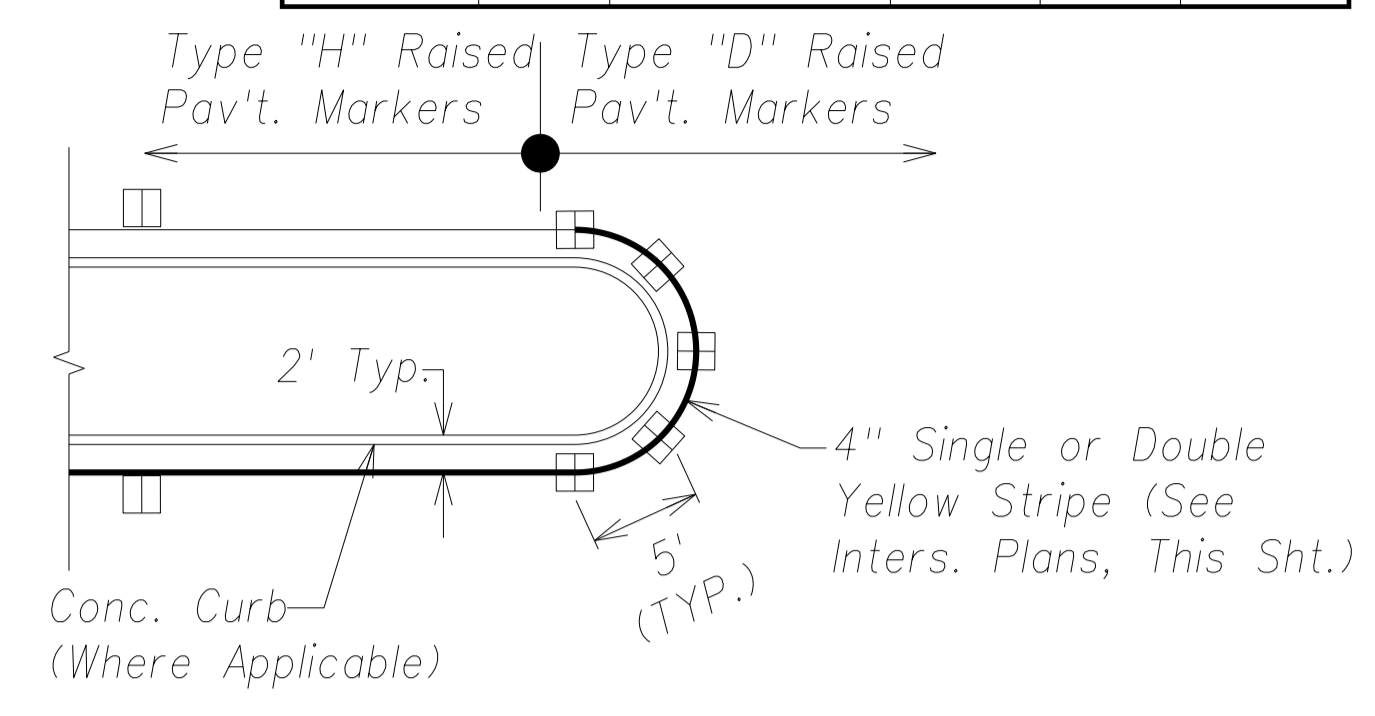


Standard Raised Pavement Markers
Not To Scale

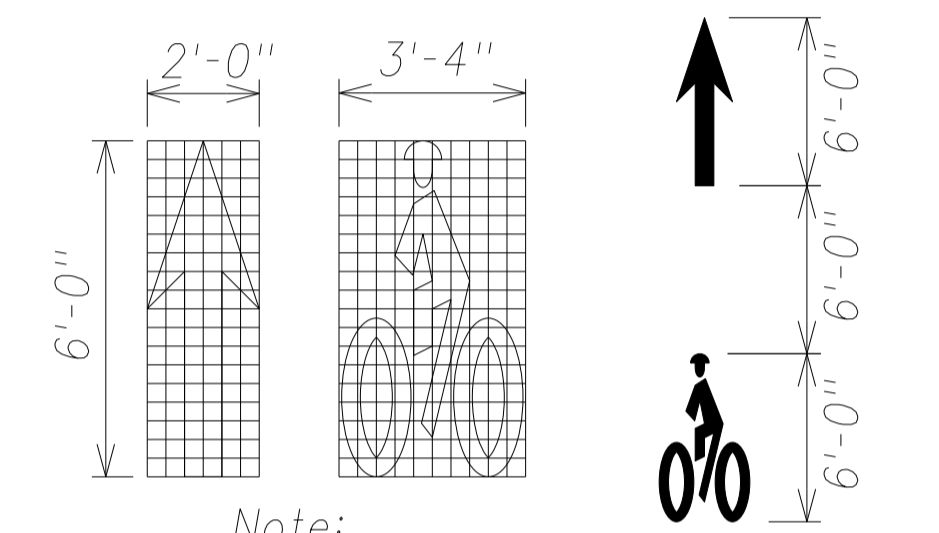


Note:
See Std. Plan TE-29
for Additional Details.

Typical Pavement Arrows
Not To Scale

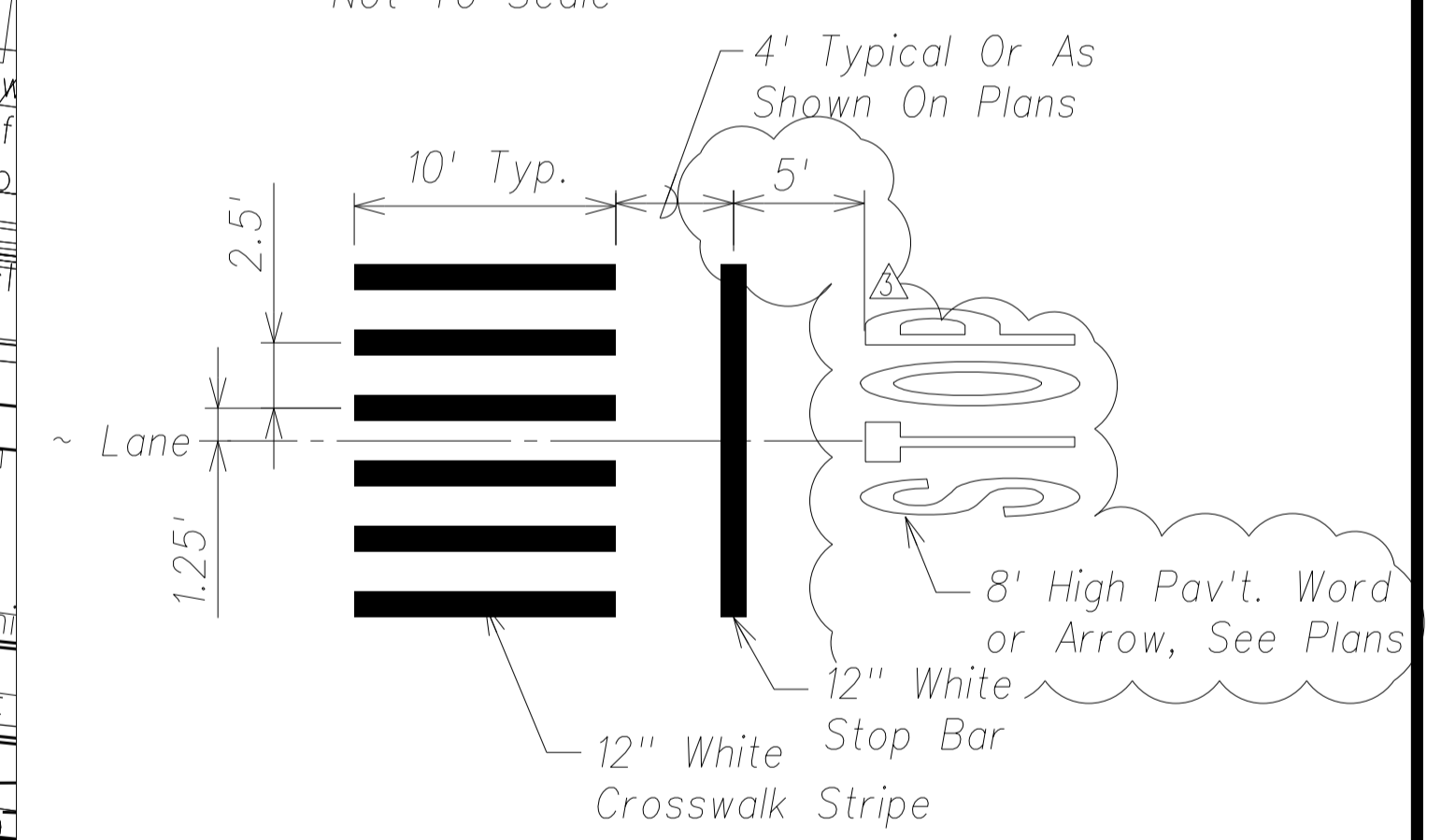


Typical Median Nose Delineation
Not To Scale



Note:
□ = 4" x 4"

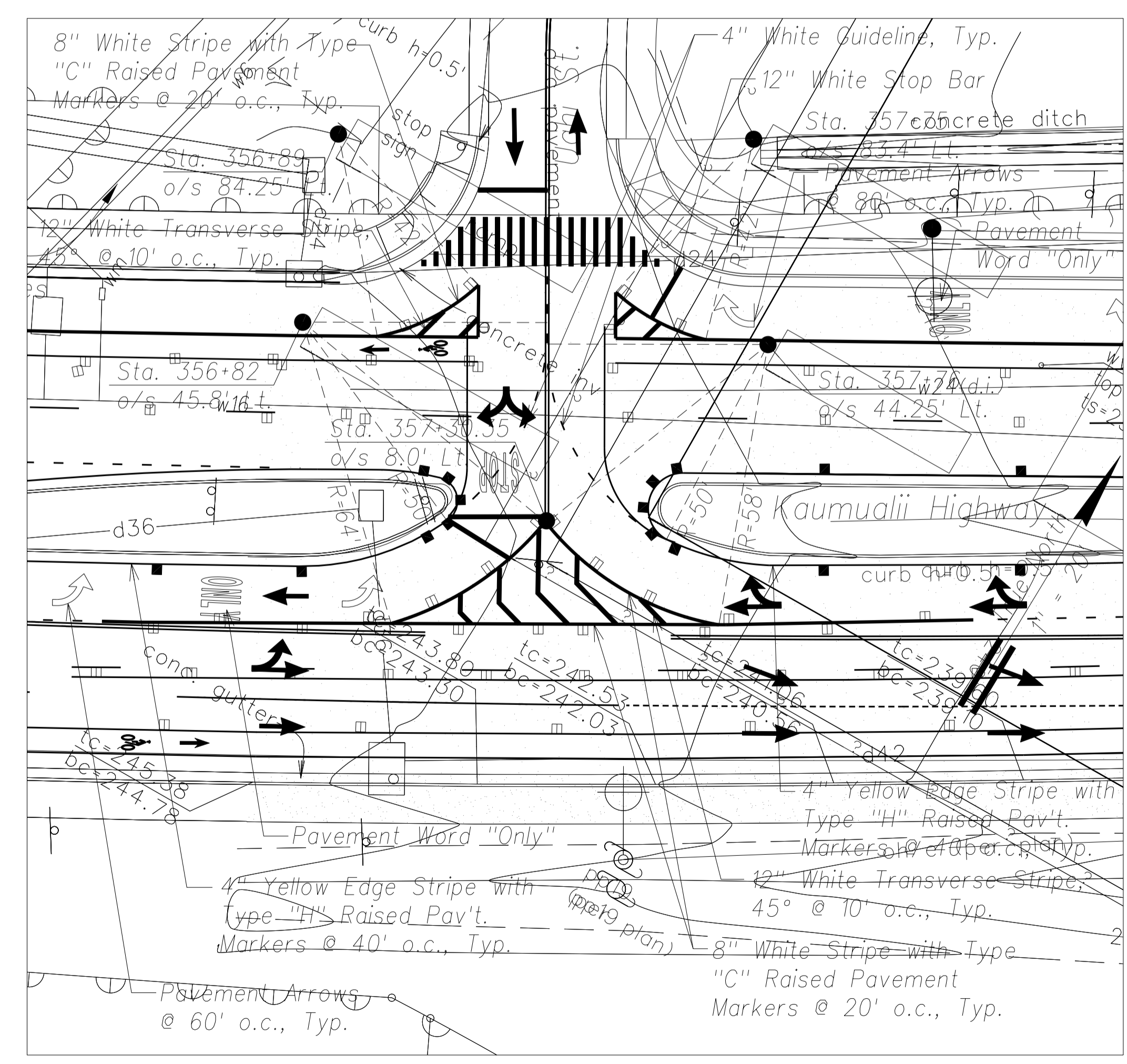
Bike Route Pavement Markings
Not To Scale



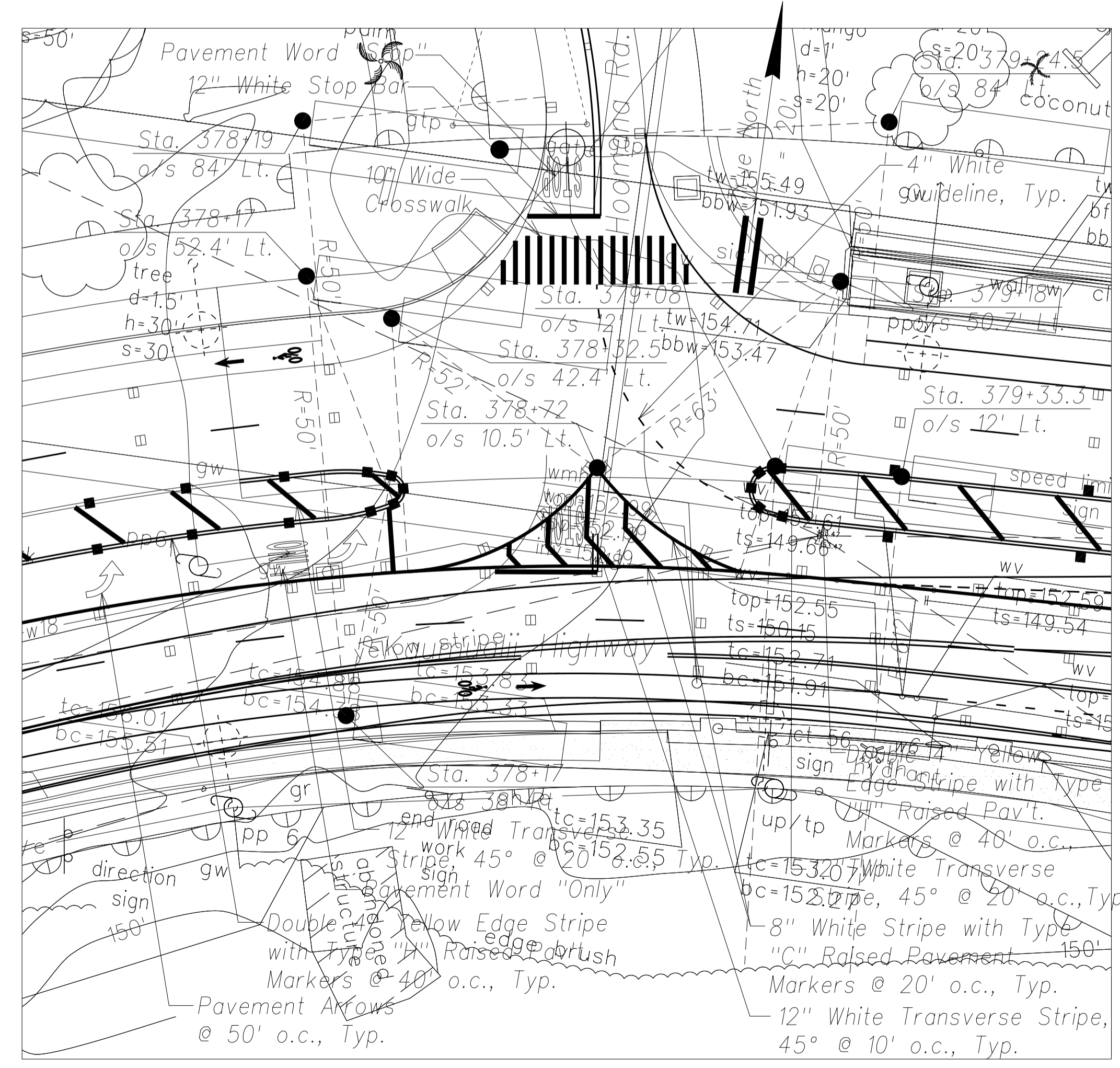
Crosswalk Striping
Not To Scale

Graphic Scale:
1" = 20' 20' 10' 0 20' 40'

Scale in Feet

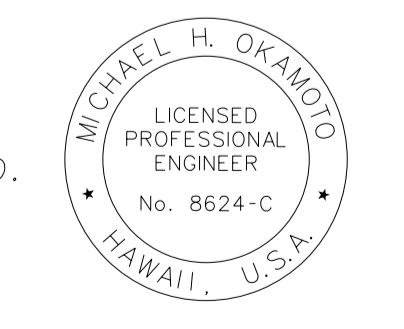


Kaumualii Highway and Uahi Street Intersection
Scale: 1" = 20'



Kaumualii Highway and Hoomana Road Intersection
Scale: 1" = 20'

SURVEY PLOTTED BY	DATE
DRAWN BY	
DESIGNED BY	
QUANTITIES BY	
CHECKED BY	
NOTE BOOK	
No.	



THIS WORK WAS PREPARED BY ME OR UNDER MY SUPERVISION AND CONSTRUCTION OF THIS PROJECT WILL BE UNDER MY OBSERVATION.

Signature: _____
Date: April 30, 2016
Expiration Date of License: _____

12/12/14	Revise Detail
Date	Revision
STATE OF HAWAII DEPARTMENT OF TRANSPORTATION HIGHWAYS DIVISION	
SIGNING AND PAVEMENT MARKING DETAILS	
PHASE 1 - KAUMUALII HIGHWAY LIHUE MILL BRIDGE TO RICE STREET	
PHASE 3 - REHABILITATION OF LIHUE MILL BRIDGE AND MAKAI WIDENING	
Scale: As Shown	Date: May 2, 2014
SHEET No. C-67 OF 82 SHEETS	