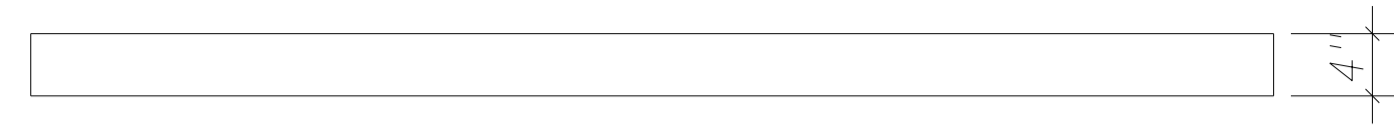
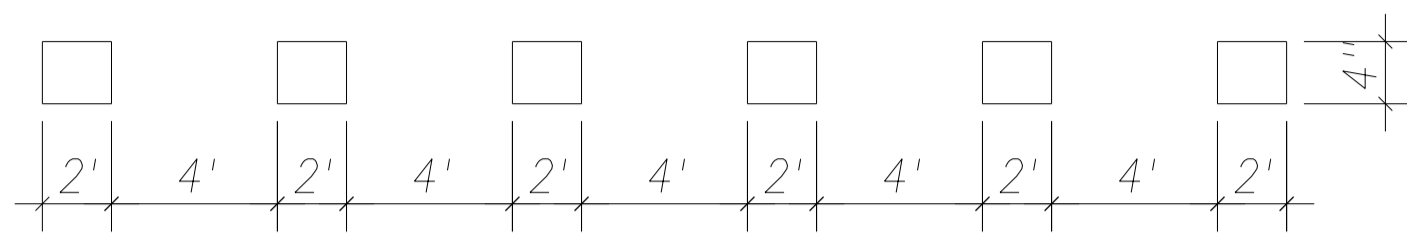


FED. ROAD DIST. NO.	STATE	FED. AID PROJ. NO.	FISCAL YEAR	SHEET NO.	TOTAL SHEETS
HAWAII	HAW.	ARR-050-1(036)	FY13/14	Model	131

Solid White Edge Line or Lane Line



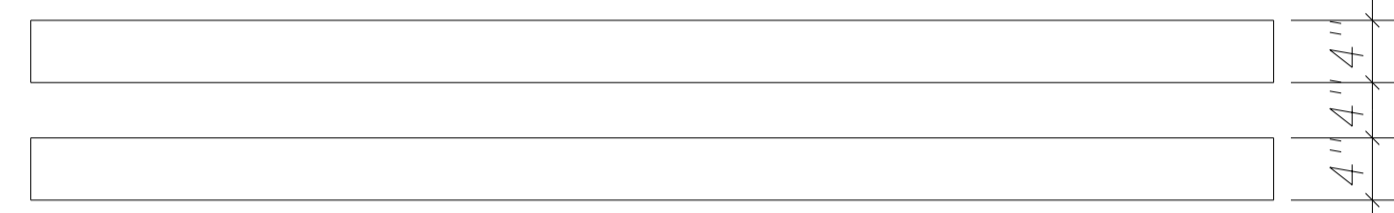
Dotted Line (White or Yellow)



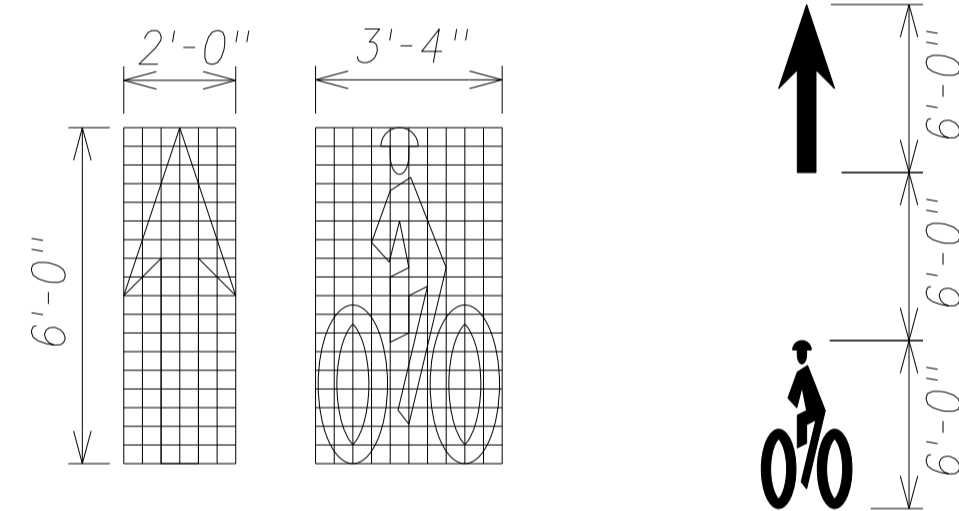
Yellow Edge Line



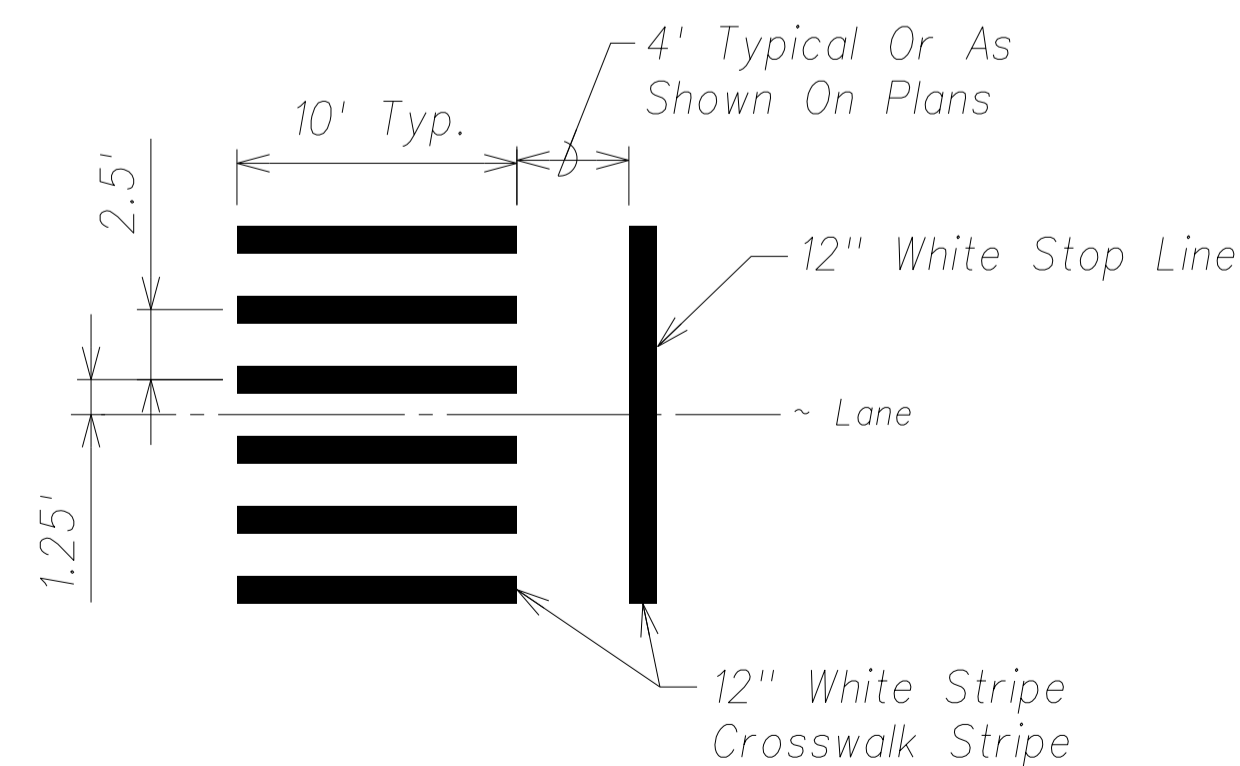
Double Solid (White or Yellow)



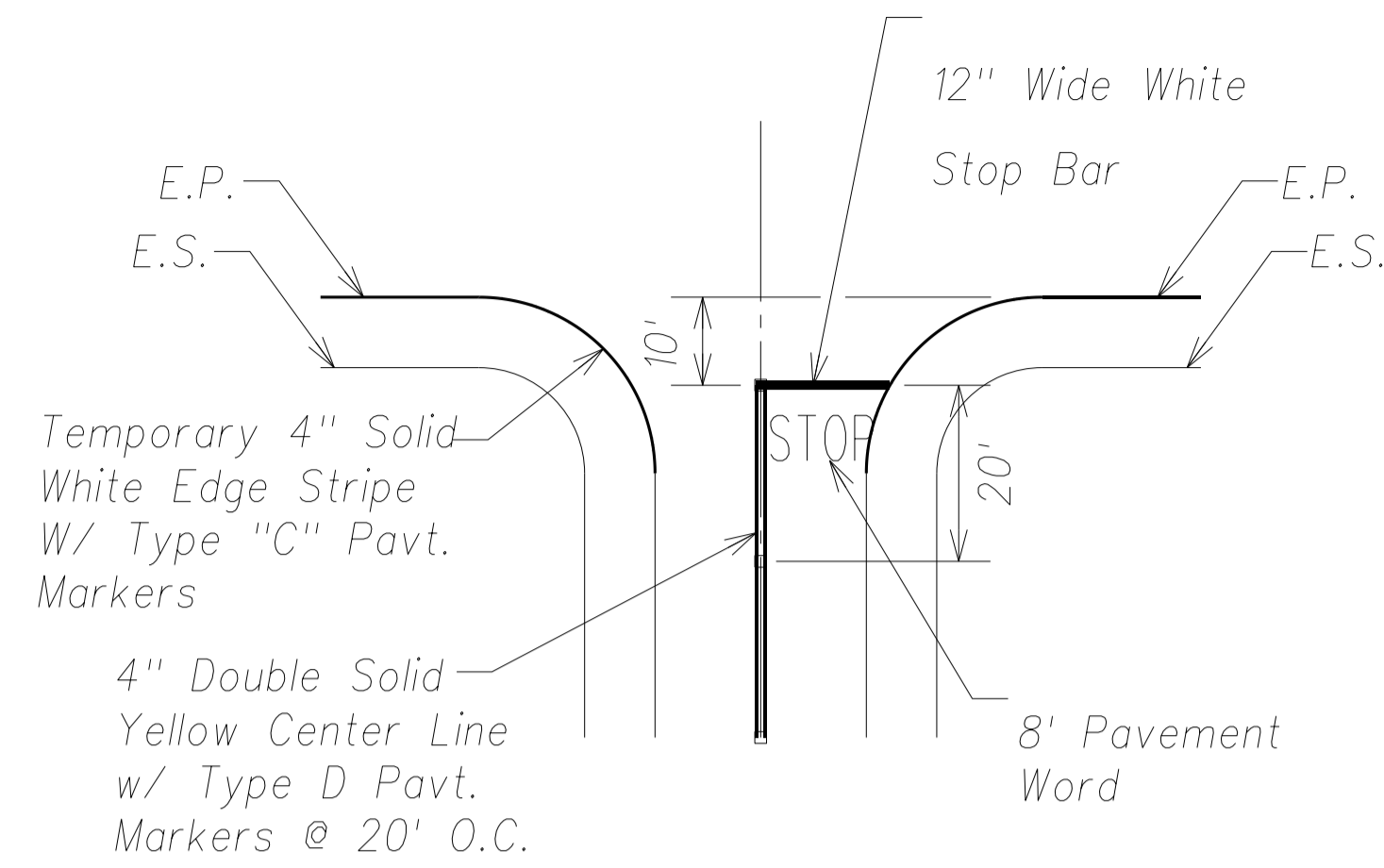
Typical Pavement Markings
Not To Scale



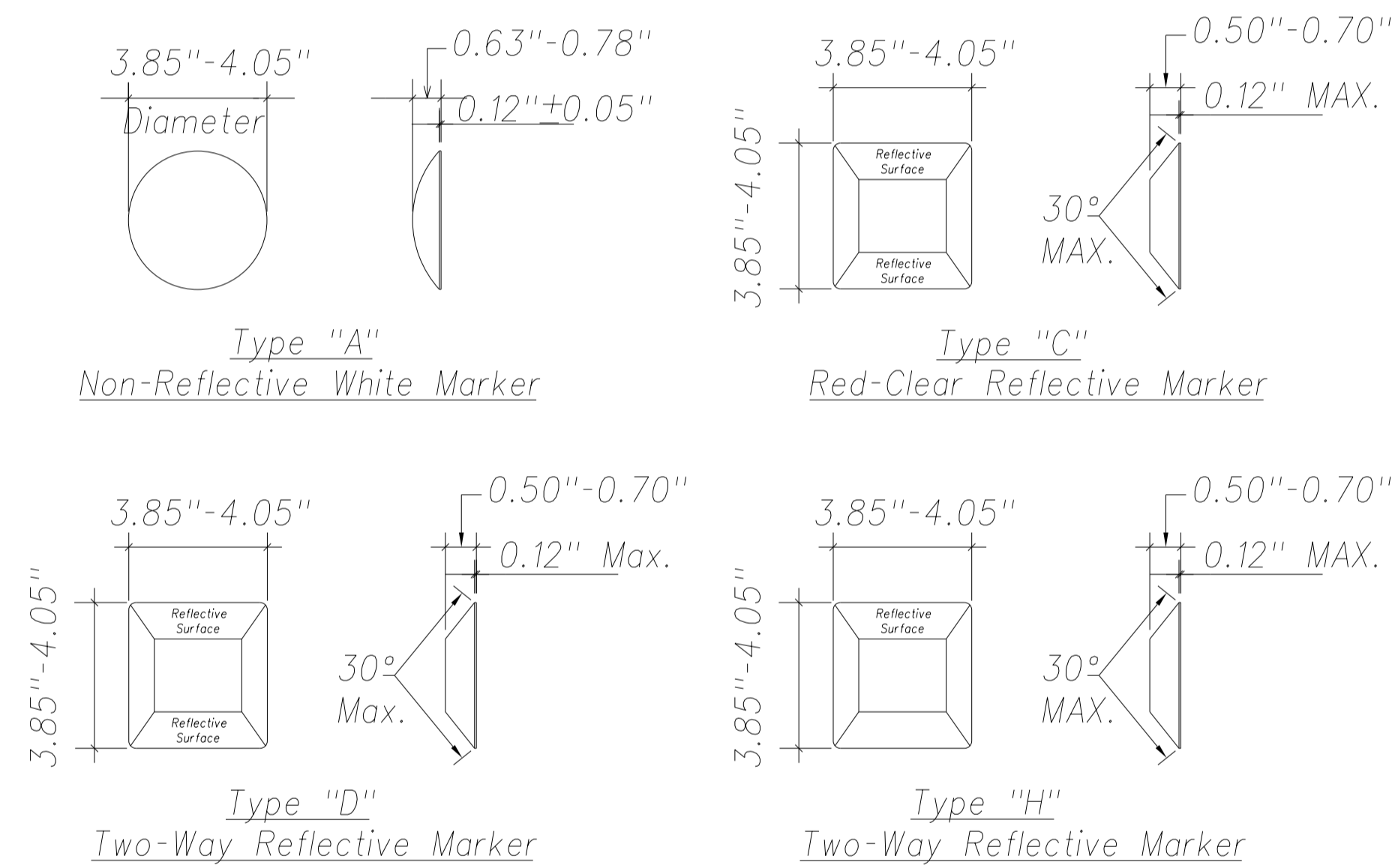
Bike Route Pavement Markings
Not To Scale



Crosswalk Striping
Not To Scale

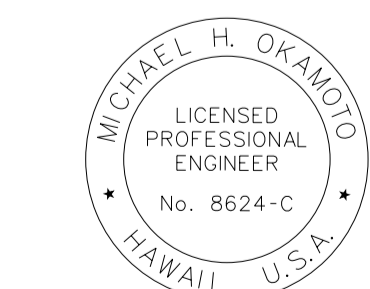


Detail - Stop Bar
Not To Scale



Standard Raised Pavement Markers
Not To Scale

SURVEY PLOTTED BY	DATE
DRAWN BY	
DESIGNED BY	
QUANTITIES BY	
CHECKED BY	
ORIGINAL PLAN	
NOTE BOOK	
No.	



THIS WORK WAS PREPARED BY ME OR UNDER MY SUPERVISION AND CONSTRUCTION OF THIS PROJECT WILL BE UNDER MY OBSERVATION.

Signature: _____
April 30, 2016
EXPIRATION DATE OF THE LICENSE

STATE OF HAWAII
DEPARTMENT OF TRANSPORTATION
HIGHWAYS DIVISION
SIGNING AND PAVEMENT MARKING DETAILS
PHASE 1 - KAUMUALII HIGHWAY
LIHUE MILL BRIDGE TO RICE STREET
PHASE 2 - NAWILIWILI STREAM BRIDGE
AND MAUKA WIDENING

Scale: As Shown Date: March 25, 2013
SHEET No. C-72 OF 84 SHEETS

"AS-BUILT"

MODEL