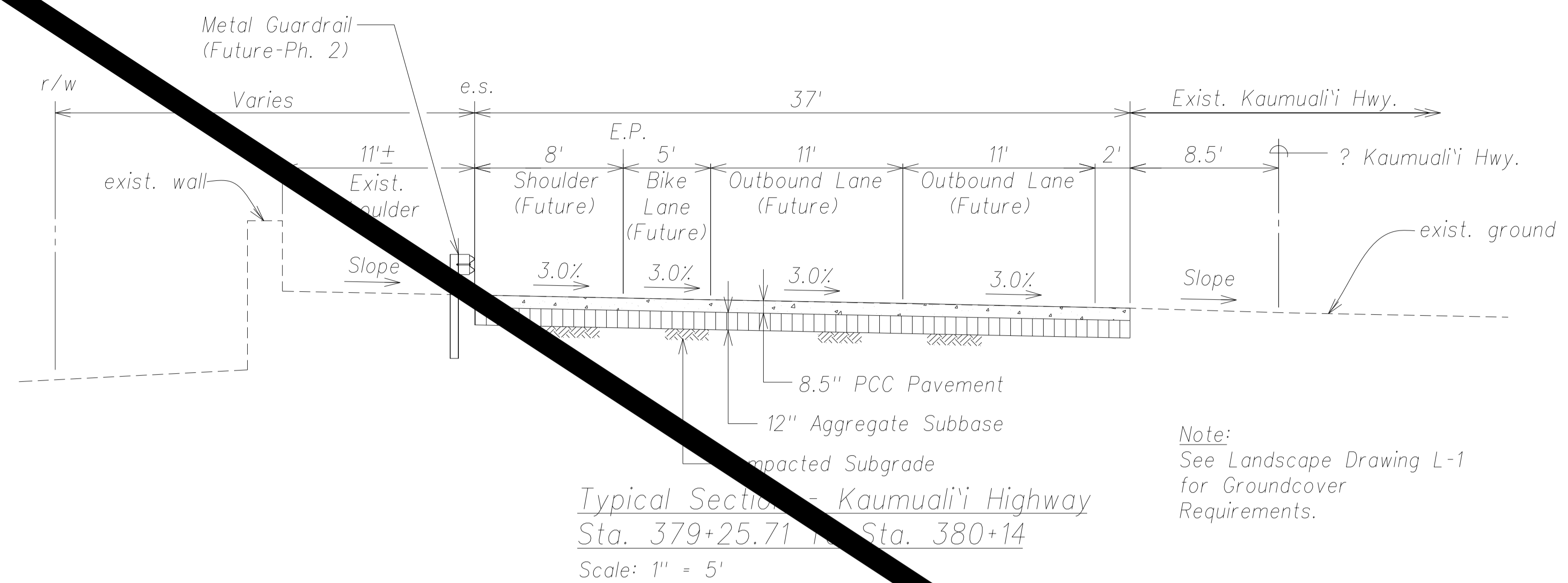
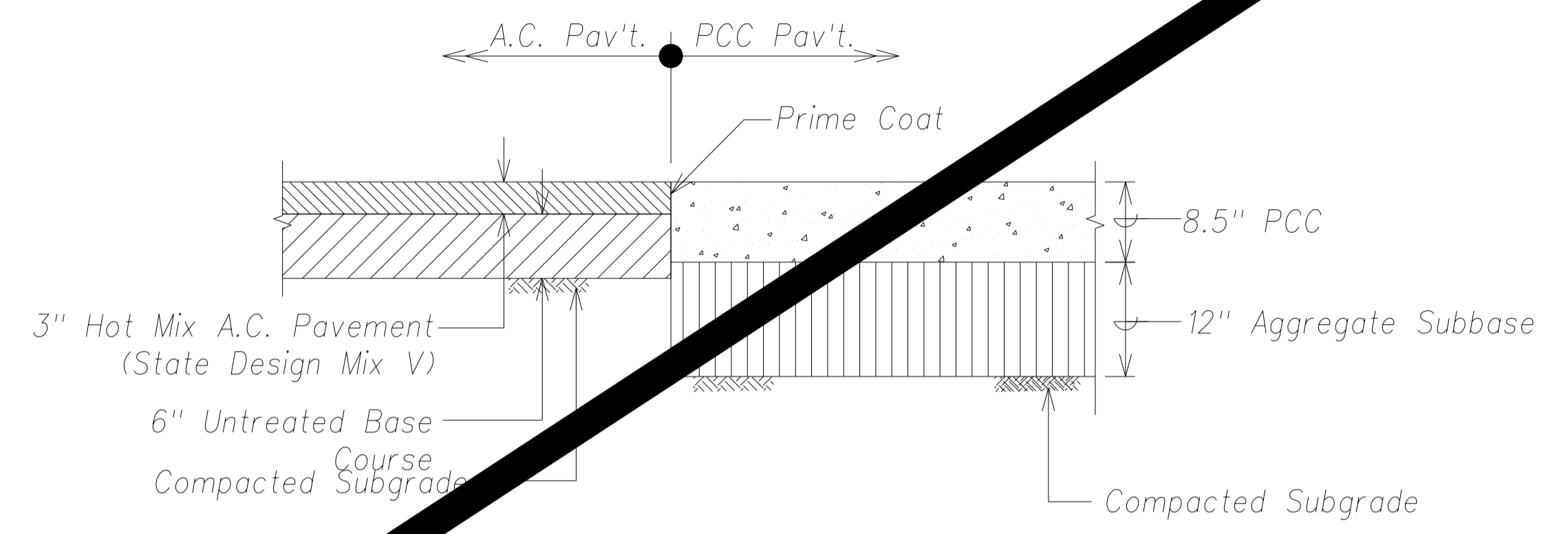


FED. ROAD DIST. NO.	STATE	FED. AID PROJ. NO.	FISCAL YEAR	SHEET NO.	TOTAL SHEETS
HAWAII	HAW.	ARR-050-10036	FY13/14	50	50

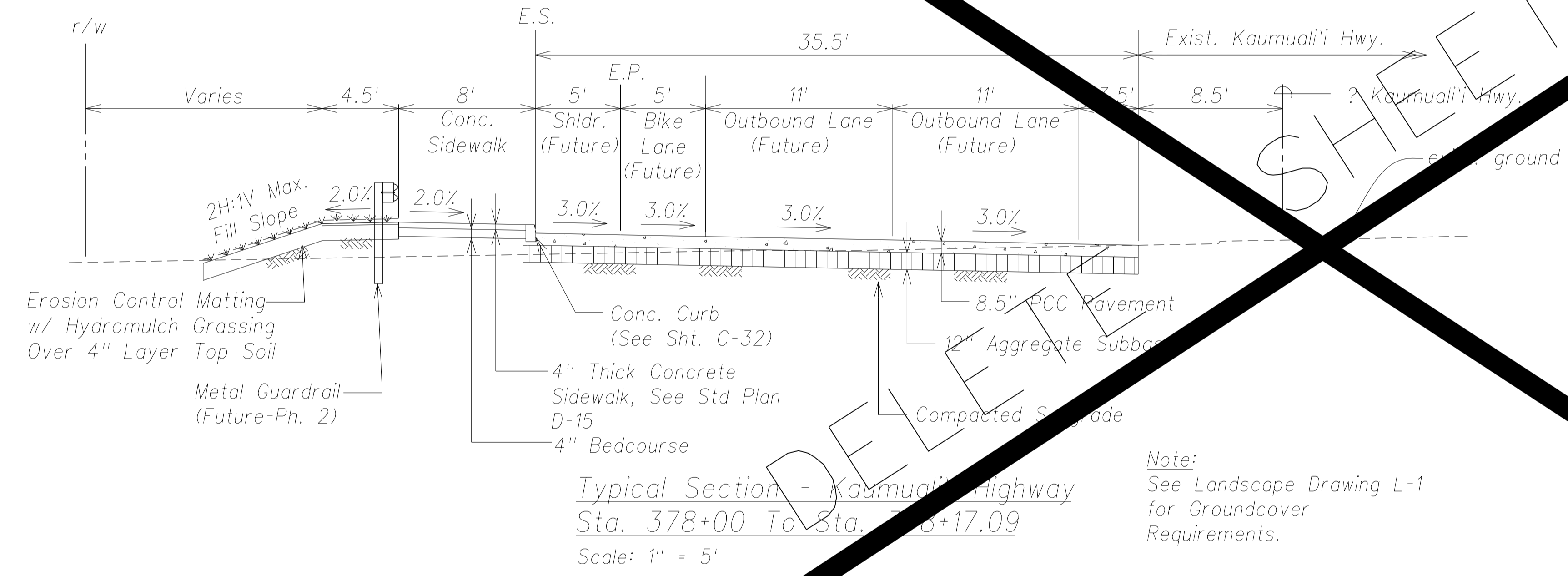


Typical Section - Kaumuali'i Highway
Sta. 379+25.71 To Sta. 380+14
Scale: 1" = 5'

Note:
See Landscape Drawing L-1
for Groundcover
Requirements.

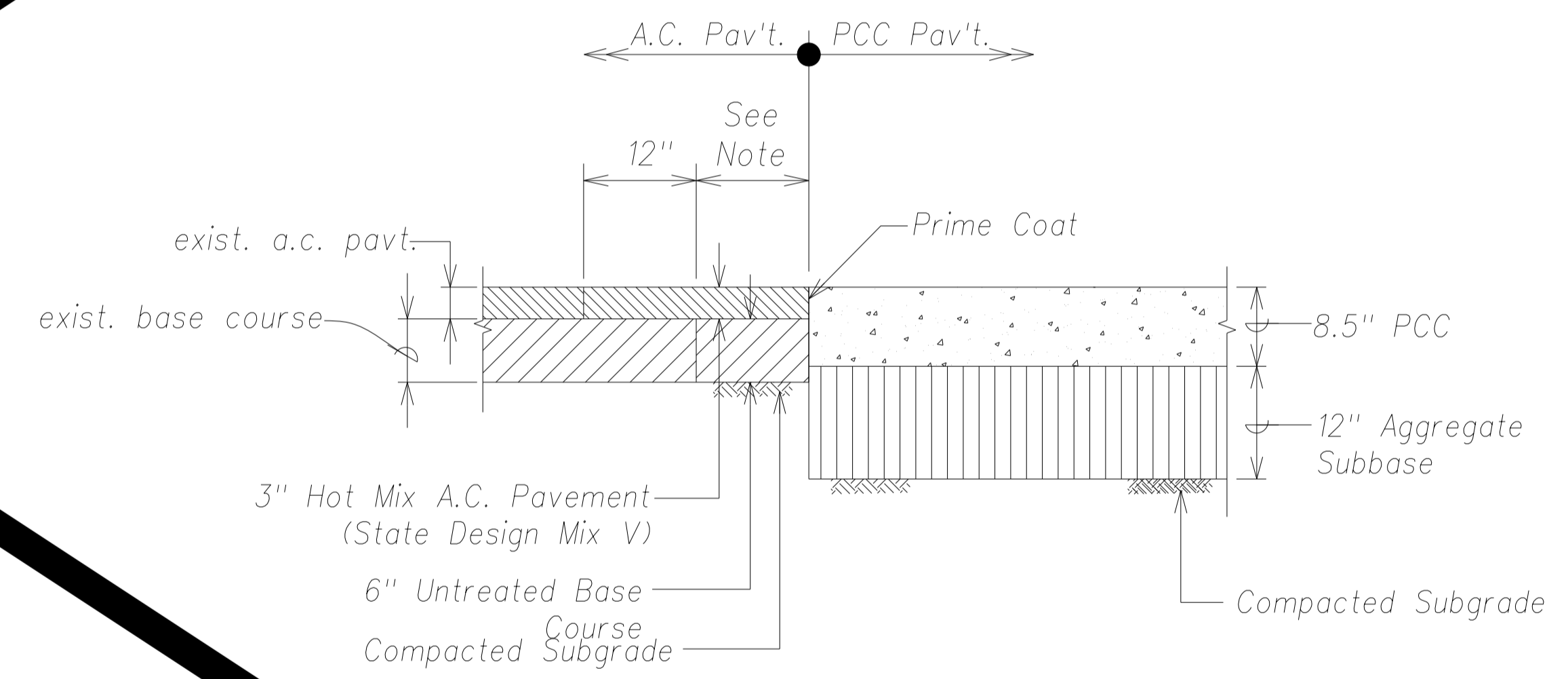


PCC-A.C. Shoulder Transition Detail
Not To Scale



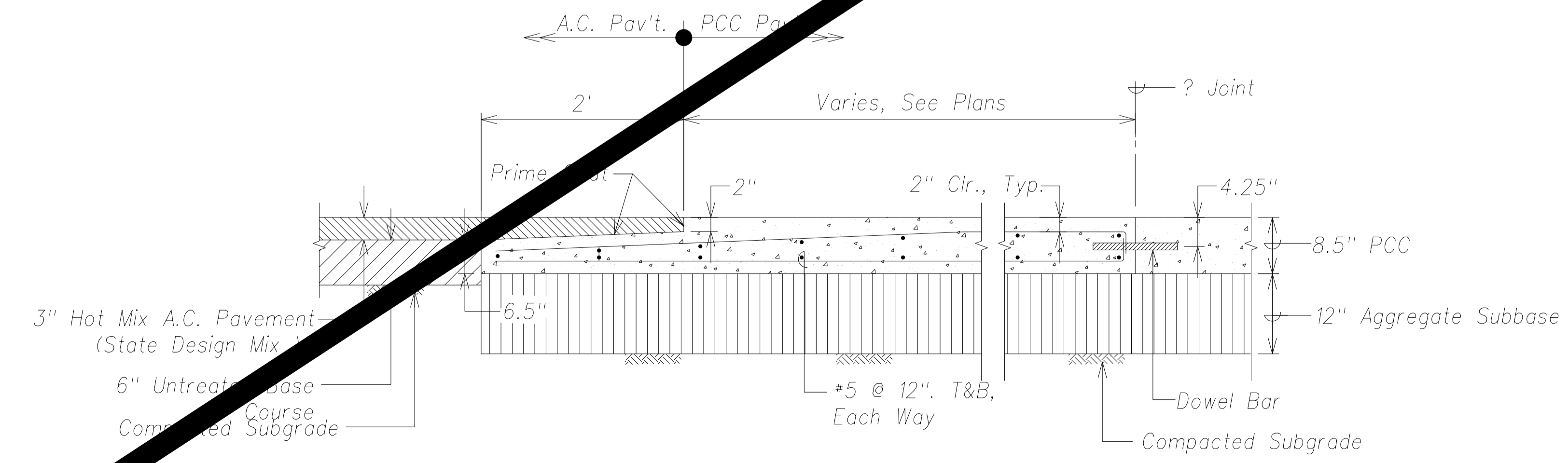
Typical Section - Kaumuali'i Highway
Sta. 378+00 To Sta. 378+17.09
Scale: 1" = 5'

Note:
See Landscape Drawing L-1
for Groundcover
Requirements.

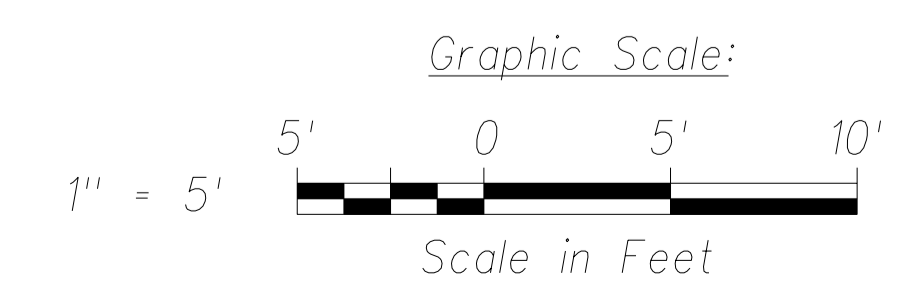


Note:
Transition length shall be 12-inches
unless called out otherwise on the plans.

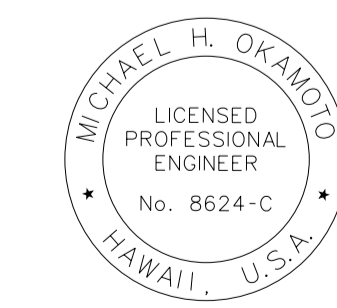
PCC-A.C. Temporary Transition Detail
Not To Scale



PCC-A.C. Travelway Transition Detail
Not To Scale



SURVEY PLOTTED BY	DATE
DRAWN BY	
DESIGNED BY	
QUANTITIES BY	
CHECKED BY	
ORIGINAL PLAN	
NOTE BOOK	
No.	



THIS WORK WAS PREPARED BY ME
OR UNDER MY SUPERVISION AND
CONSTRUCTION OF THIS PROJECT
WILL BE UNDER MY OBSERVATION.

Signature: _____
April 30, 2014
EXPIRATION DATE
OF THE LICENSE

STATE OF HAWAII
DEPARTMENT OF TRANSPORTATION
HIGHWAYS DIVISION

TYPICAL SECTIONS - 3
(KAUMUALI'I HWY.)

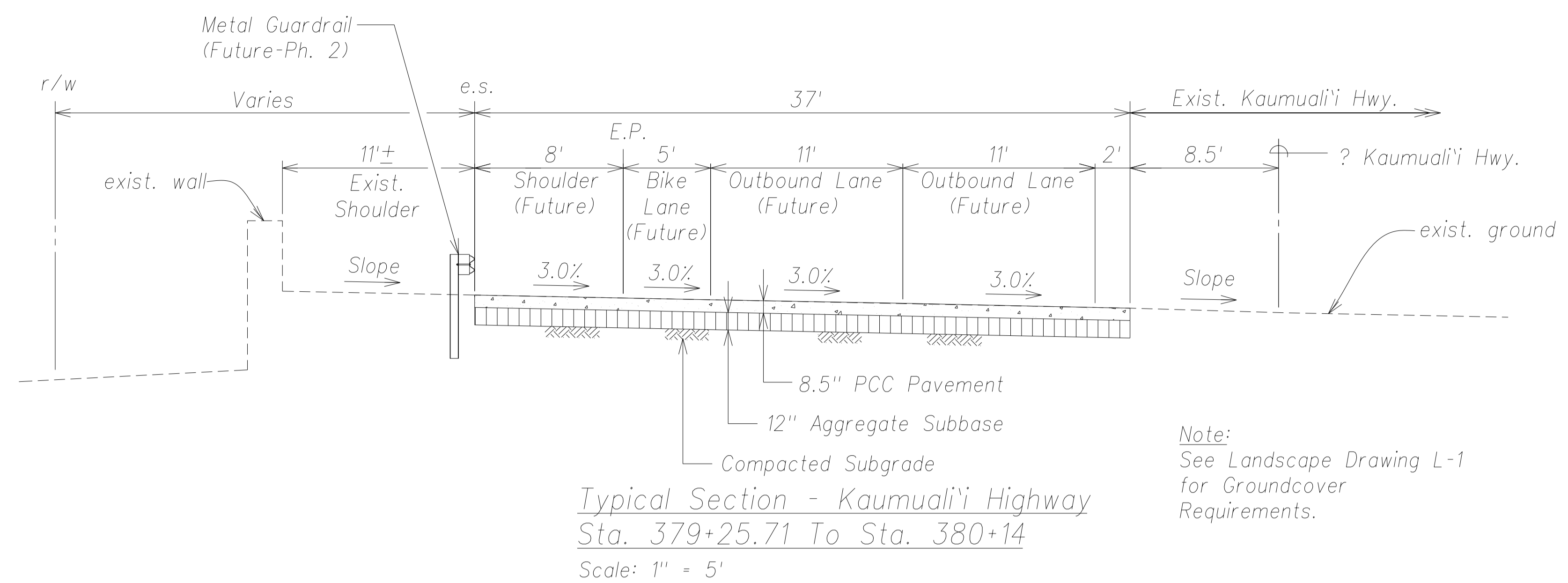
PHASE 1 - KAUMUALI'I HIGHWAY
LIHU'E MILL BRIDGE TO HO'OMANA RD

Scale: As Shown Date: December 12, 2012

SHEET No. C-16 OF 50 SHEETS

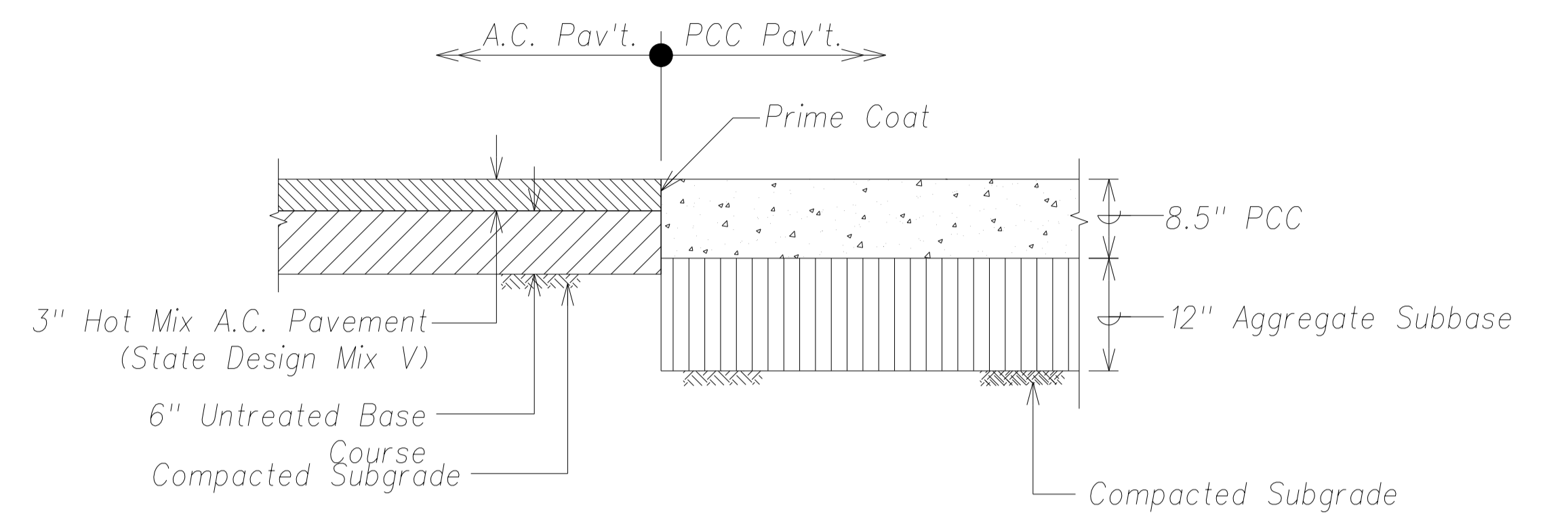
Model

FED. ROAD DIST. NO.	STATE	FED. AID PROJ. NO.	FISCAL YEAR	SHEET NO.	TOTAL SHEETS
HAWAII	HAW.	ARR-050-10036	FY13/14	Model	50

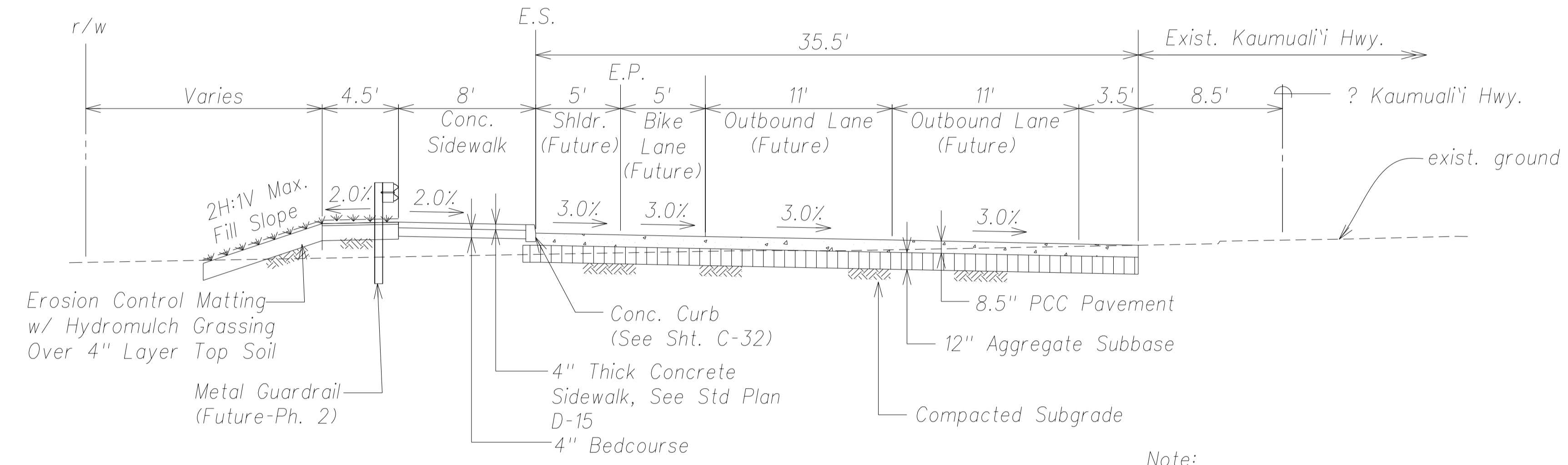


Typical Section - Kaumuali'i Highway
Sta. 379+25.71 To Sta. 380+14
Scale: 1" = 5'

Note:
See Landscape Drawing L-1
for Groundcover
Requirements.

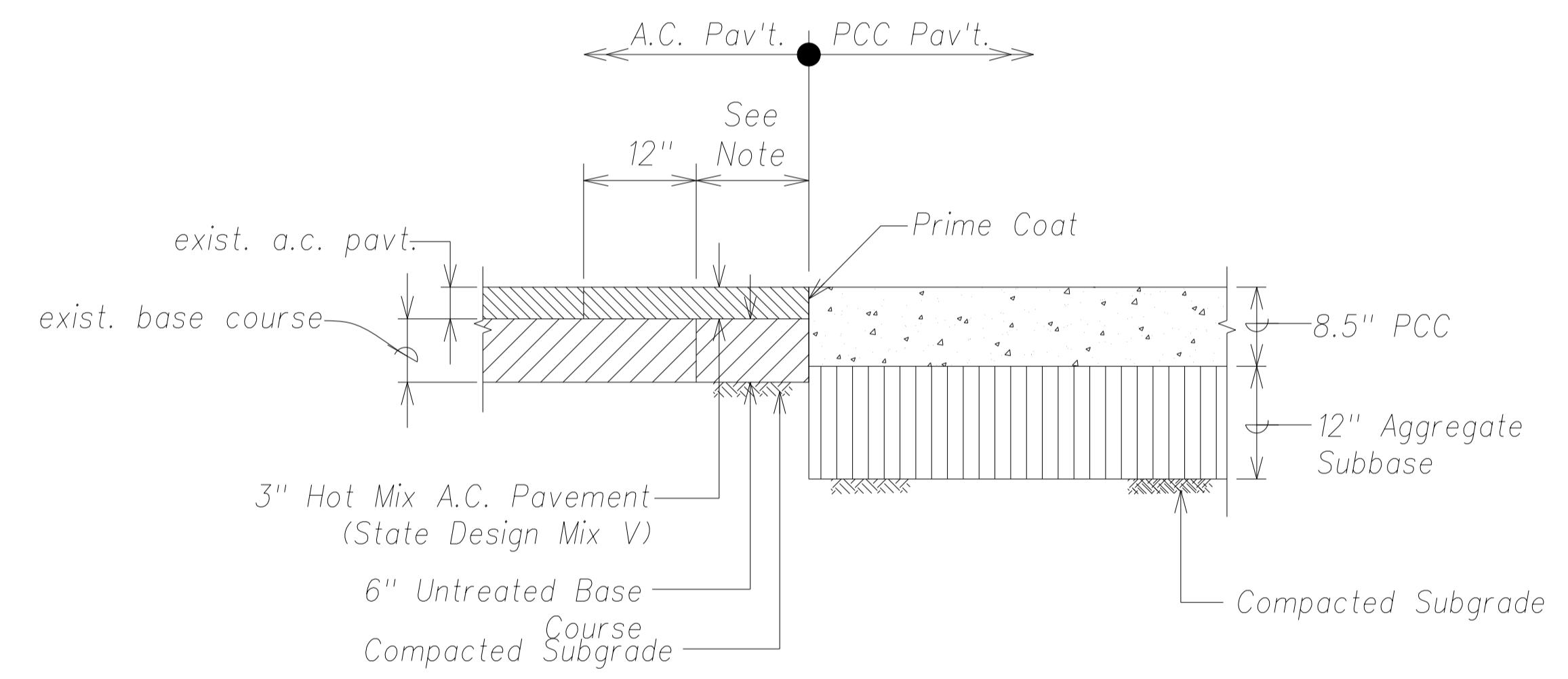


PCC-A.C. Shoulder Transition Detail
Not To Scale



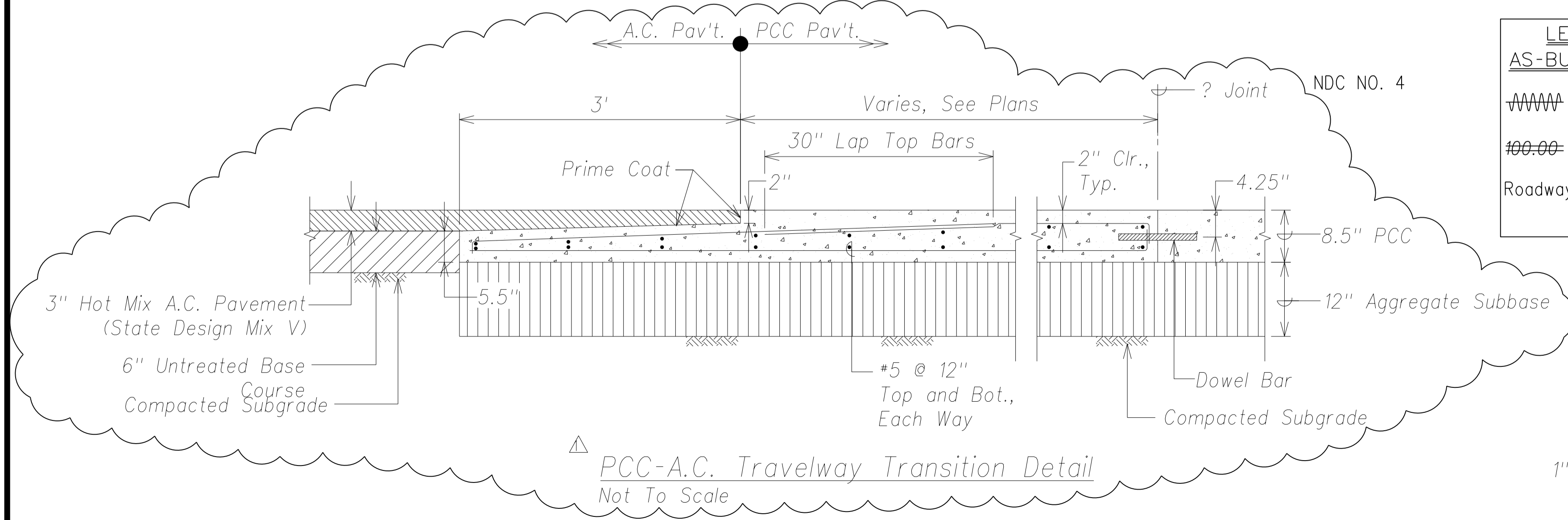
Typical Section - Kaumuali'i Highway
Sta. 378+00 To Sta. 378+17.09
Scale: 1" = 5'

Note:
See Landscape Drawing L-1
for Groundcover
Requirements.



Note:
Transition length shall be 12-inches
unless called out otherwise on the plans.

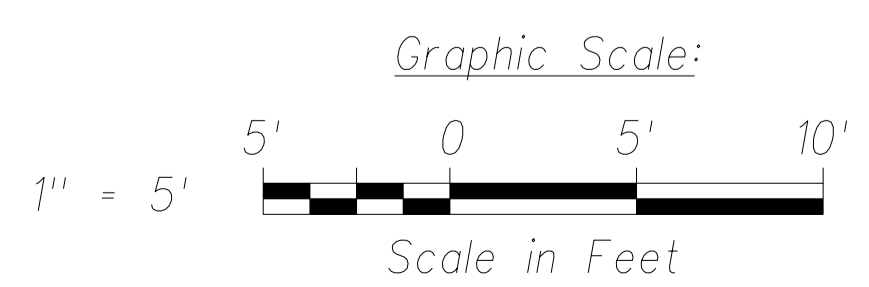
PCC-A.C. Temporary Transition Detail
Not To Scale



PCC-A.C. Travelway Transition Detail
Not To Scale

LEGEND FOR AS-BUILT POSTINGS

	Squiggly line for as-built deletion
	Double line for as-built deletion
	Text for as-built posting



SURVEY PLOTTED BY	DATE
DRAWN BY	
DESIGNED BY	
QUANTITIES BY	
CHECKED BY	
ORIGINAL PLAN	No.
NOTE BOOK	



THIS WORK WAS PREPARED BY ME OR UNDER MY SUPERVISION AND CONSTRUCTION OF THIS PROJECT WILL BE UNDER MY OBSERVATION.

Signature: _____
Date: April 30, 2014
Expiration Date of the License: _____

04/05/13	Revise PCC-AC Travelway Transition Detail
Date	Revision
STATE OF HAWAII DEPARTMENT OF TRANSPORTATION HIGHWAYS DIVISION	
TYPICAL SECTIONS - 3 (KAUMUALI'I HWY.)	
PHASE 1 - KAUMUALI'I HIGHWAY LIHU'E MILL BRIDGE TO RICE STREET PHASE 1 - HO'OMANA ROAD	
Scale: As Shown	Date: December 4, 2012
SHEET No. C-16 OF 50 SHEETS	

"AS-BUILT"

C. Model S1