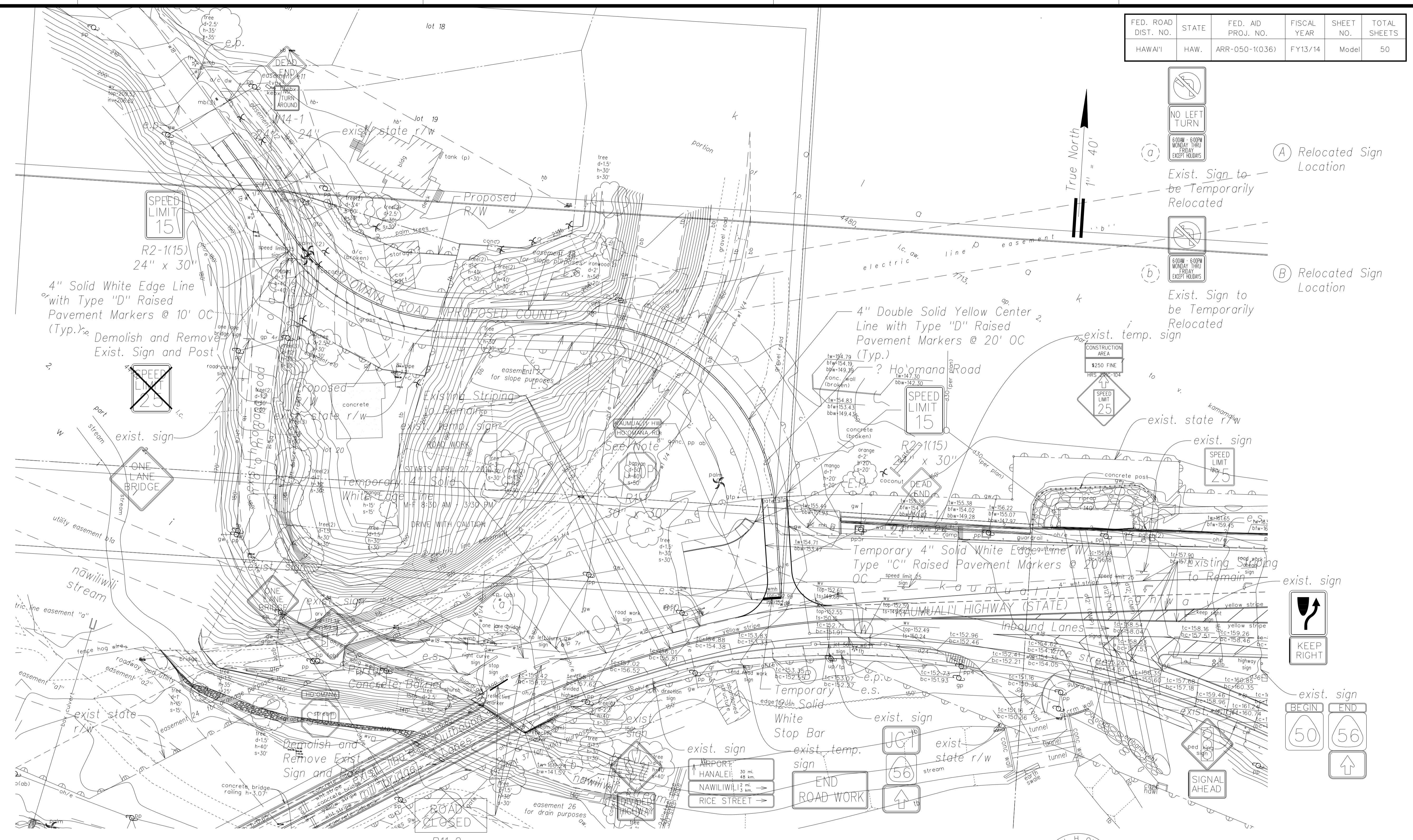


FED. ROAD DIST. NO.	STATE	FED. AID PROJ. NO.	FISCAL YEAR	SHEET NO.	TOTAL SHEETS
HAWAII	HAW.	ARR-050-10036	FY13/14	Model	50



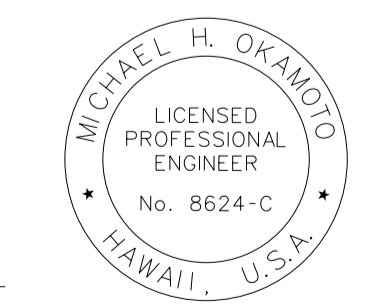
DATE	_____
SURVEY PLOTTED BY	_____
DRAWN BY	_____
DESIGNED BY	_____
QUANTITIES BY	_____
CHECKED BY	_____
ORIGINAL PLAN	_____
NOTE BOOK	_____
No.	_____

Notes:
 1. For street name sign details, see DPW standard detail T-11. Street name signs shall not be installed until road numbers for the signs have been assigned from the County's House Numbering Section.

R11-2
 48" x 30"
 3-Type III Barricades
 W/ Mounted Signs
 (3 Total)

APPROVED BY:

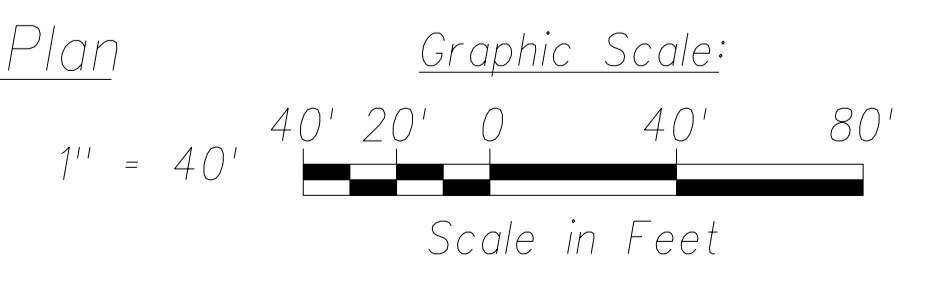
COUNTY ENGINEER, DEPARTMENT OF PUBLIC WORKS
 (FOR WORK IN THE COUNTY RIGHT-OF-WAY) _____ DATE _____



THIS WORK WAS PREPARED BY ME OR UNDER MY SUPERVISION AND CONSTRUCTION OF THIS PROJECT WILL BE UNDER MY OBSERVATION.

Signature _____
 April 30, 2014
 EXPIRATION DATE OF THE LICENSE

Signing and Pavement Marking Plan
 Scale: 1" = 40'



STATE OF HAWAII
 DEPARTMENT OF TRANSPORTATION
 HIGHWAYS DIVISION

SIGNING AND PAVEMENT MARKING PLAN

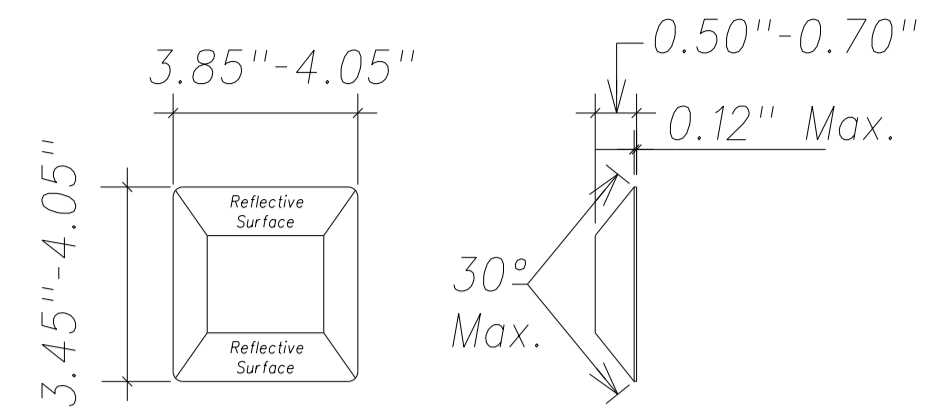
PHASE 1 - KAUMUALI'I HIGHWAY
 LI'U'E MILL BRIDGE TO RICE STREET
 PHASE 1 - HO'OMANA ROAD

Scale: As Shown Date: December 4, 2012
 SHEET No. C-36 OF 50 SHEETS

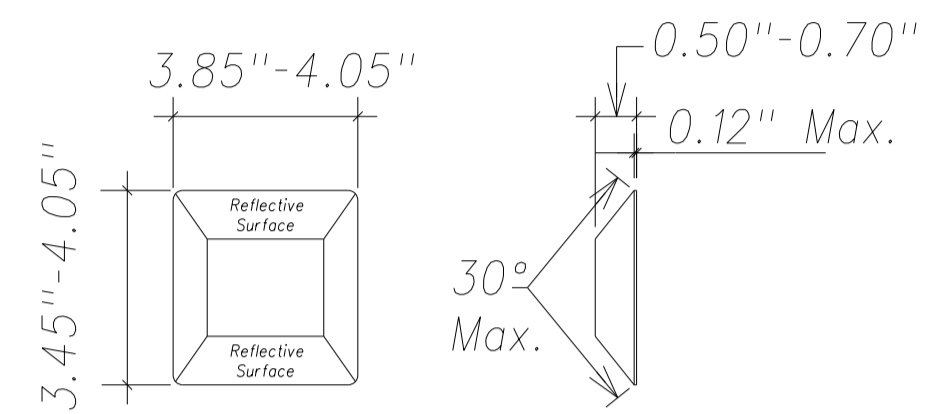
"AS-BUILT"

Model

FED. ROAD DIST. NO.	STATE	FED. AID PROJ. NO.	FISCAL YEAR	SHEET NO.	TOTAL SHEETS
HAWAII	HAW.	ARR-050-1(036)	FY13/14	Model	50

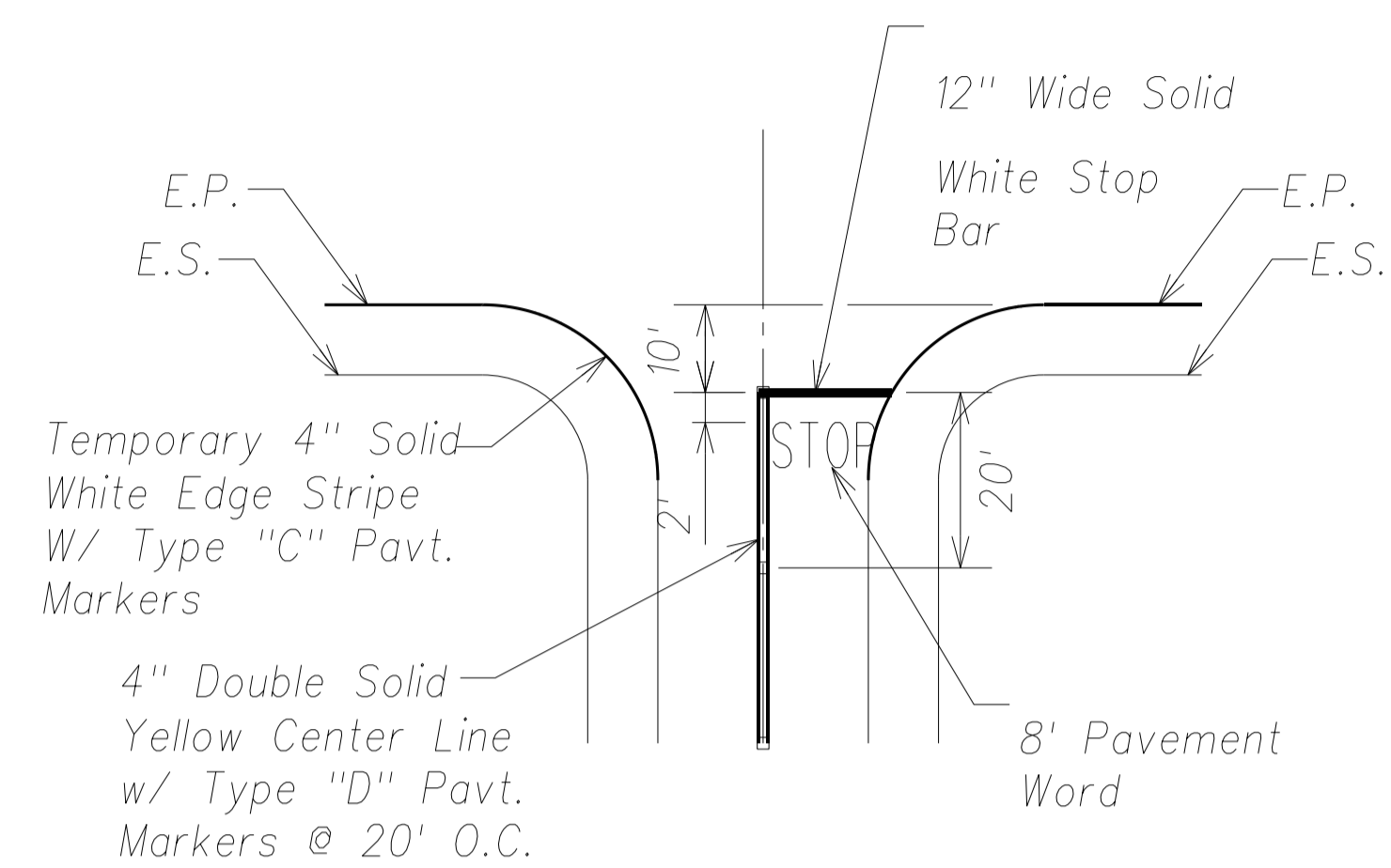


Type "C"
Red-Clear Reflective Marker



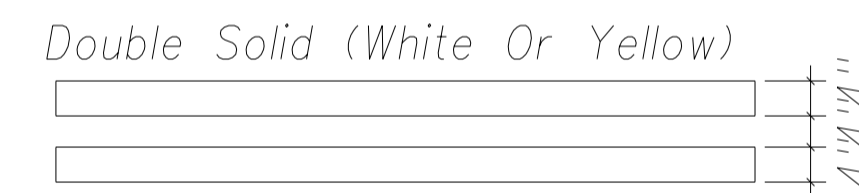
Type "D"
Two-Way Reflective Marker

Standard Raised Pavement Markers
Not To Scale



Detail - Stop Bar
Not To Scale

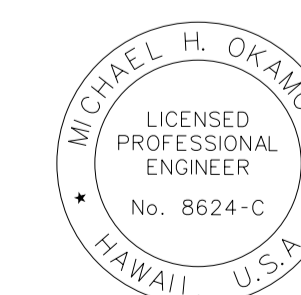
Types of Longitudinal Lines



Note:
Pavement markings shall be thermoplastic extrusion.

Typical Pavement Markings
Not To Scale

SURVEY PLOTTED BY	DATE
DRAWN BY	
TRACED BY	
DESIGNED BY	
QUANTITIES BY	
CHECKED BY	
ORIGINAL PLAN	
NOTE BOOK	
No.	



THIS WORK WAS PREPARED BY ME OR UNDER MY SUPERVISION AND CONSTRUCTION OF THIS PROJECT WILL BE UNDER MY OBSERVATION.

Signature: _____
April 30, 2014
EXPIRATION DATE OF THE LICENSE

STATE OF HAWAII
DEPARTMENT OF TRANSPORTATION
HIGHWAYS DIVISION

SIGNING AND PAVEMENT MARKING DETAILS

PHASE 1 - KAUMUALI'I HIGHWAY
LIHU'E MILL BRIDGE TO RICE STREET
PHASE 1 - HO'OMANA ROAD

Scale: As Shown Date: December 4, 2012
SHEET No. C-37 OF 50 SHEETS

"AS-BUILT"

Model