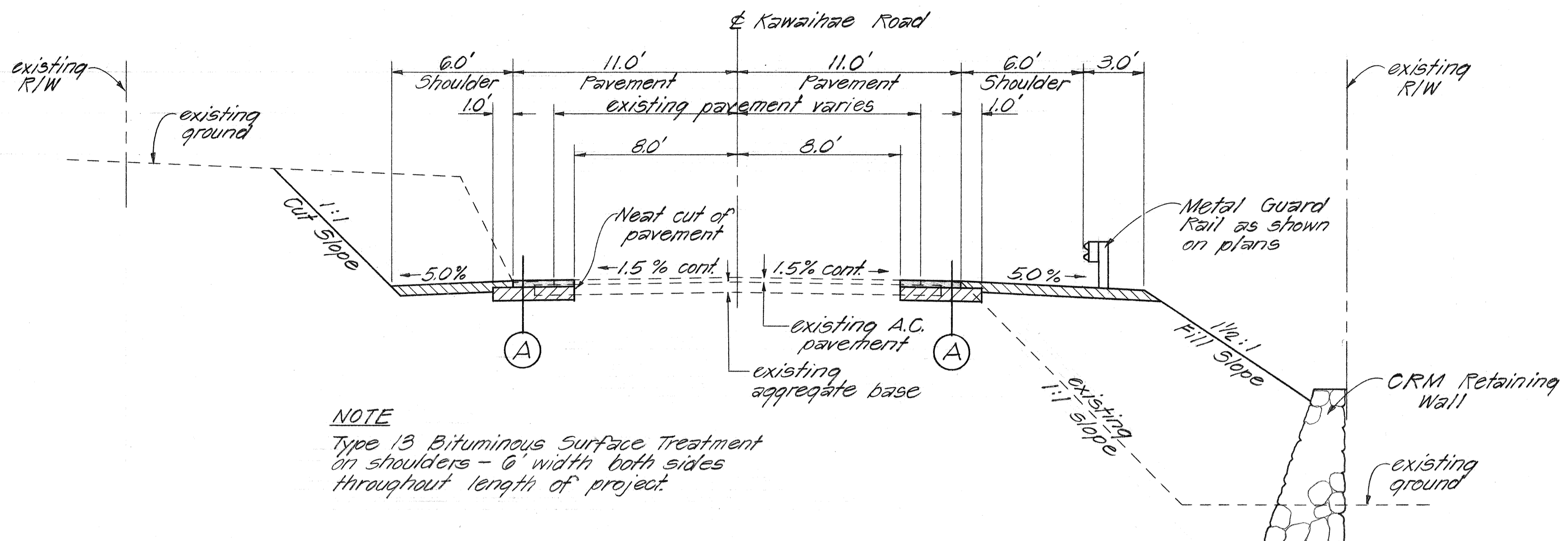
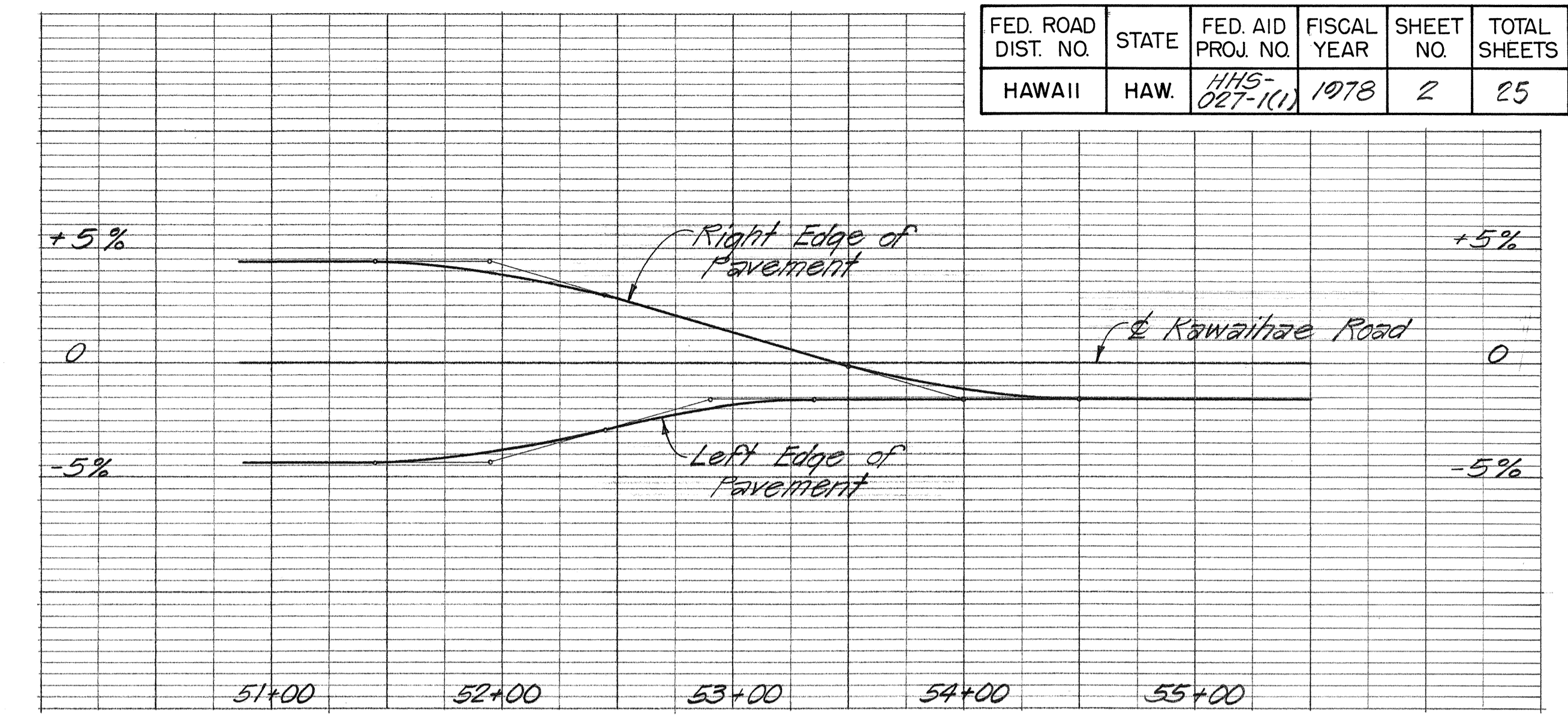


FED. ROAD DIST. NO.	STATE	FED. AID PROJ. NO.	FISCAL YEAR	SHEET NO.	TOTAL SHEETS
HAWAII	HAW.	HHS-027-1(1)	1978	2	25

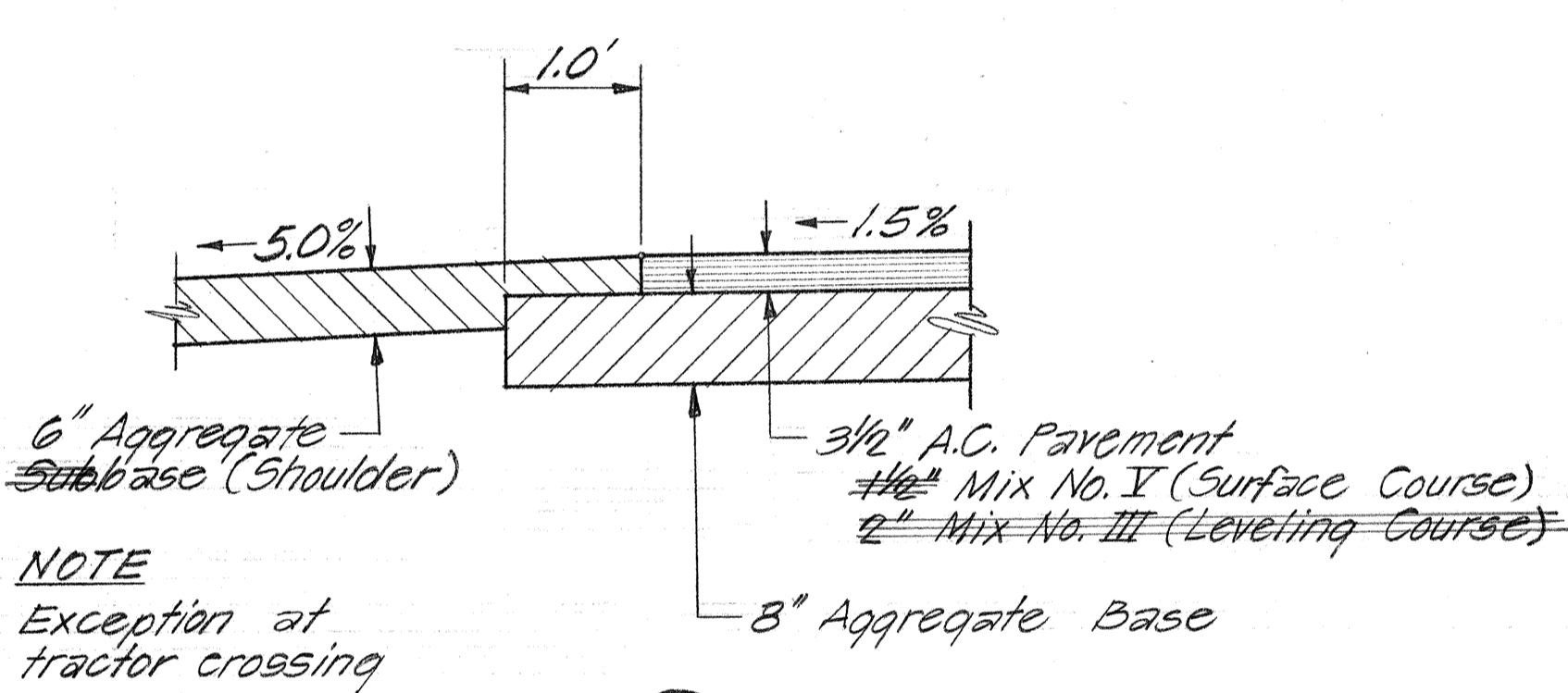


NOTE
Type 13 Bituminous Surface Treatment on shoulders - 6" width both sides throughout length of project.

TYPICAL SECTION
Scale: 1/4" = 1'-0"

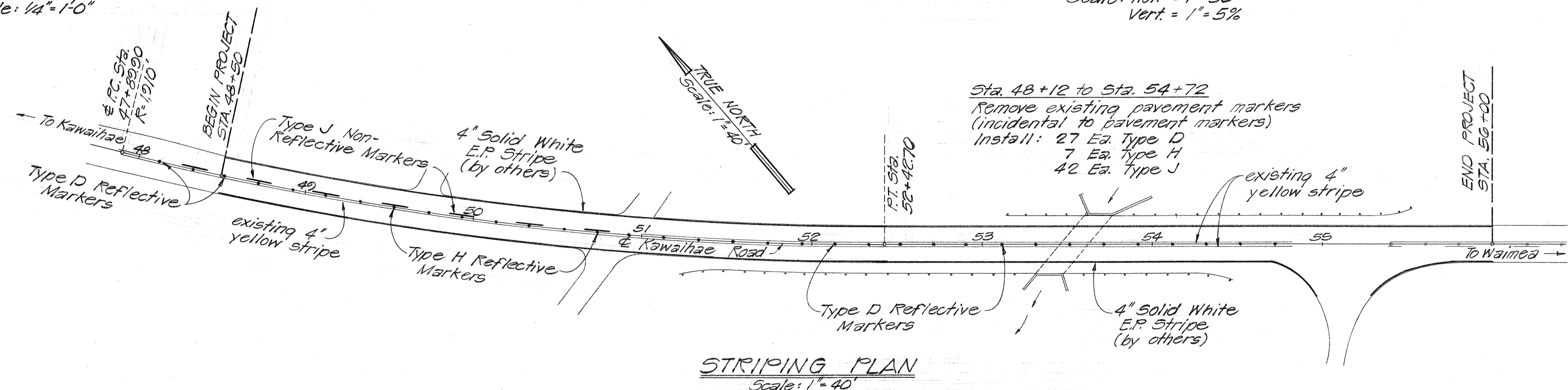


SUPERELEVATION DIAGRAM
STA. 51+00 TO STA. 55+00
Scale: Hor. = 1" = 50'
Vert. = 1" = 5%

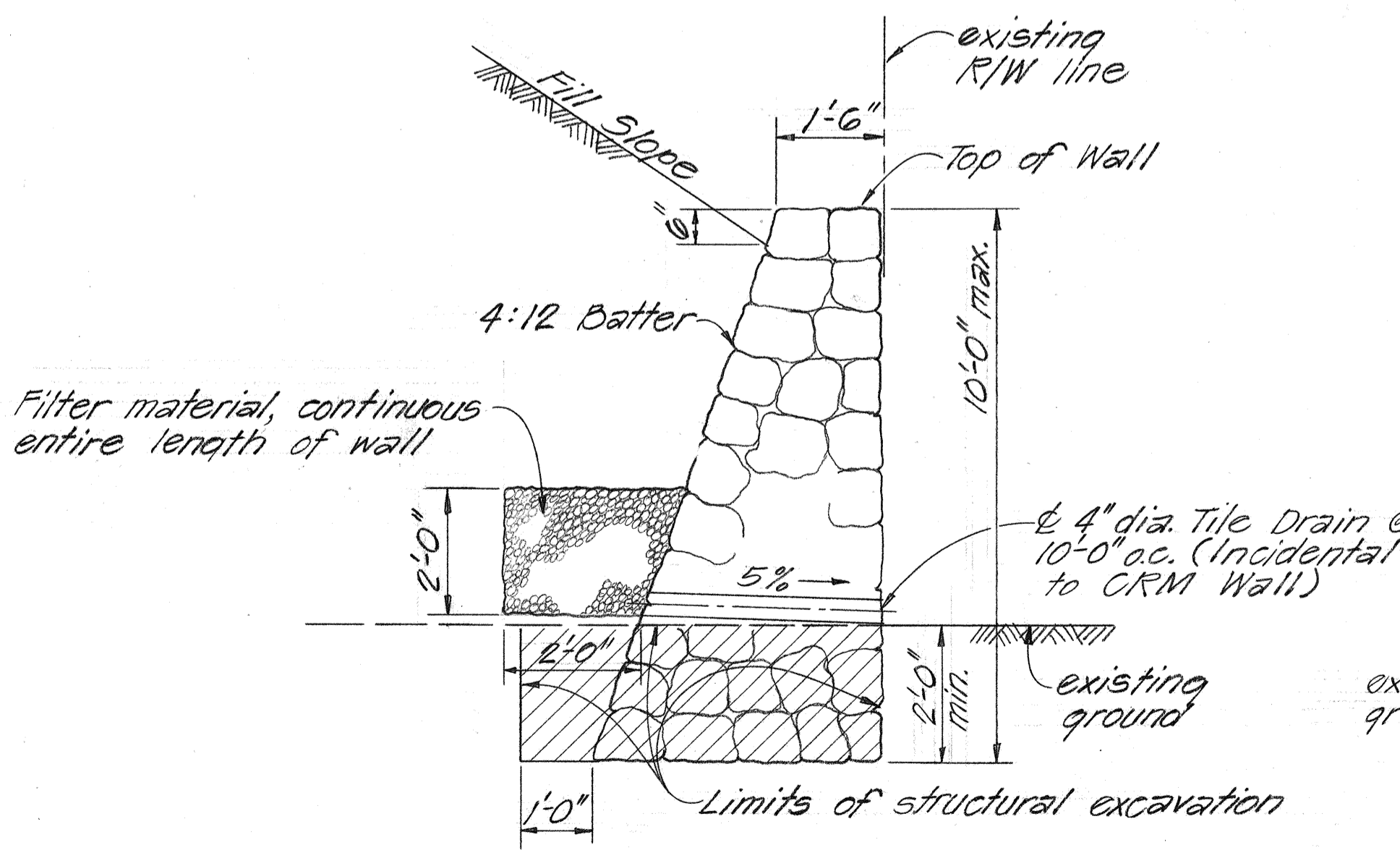


NOTE
Exception at tractor crossing

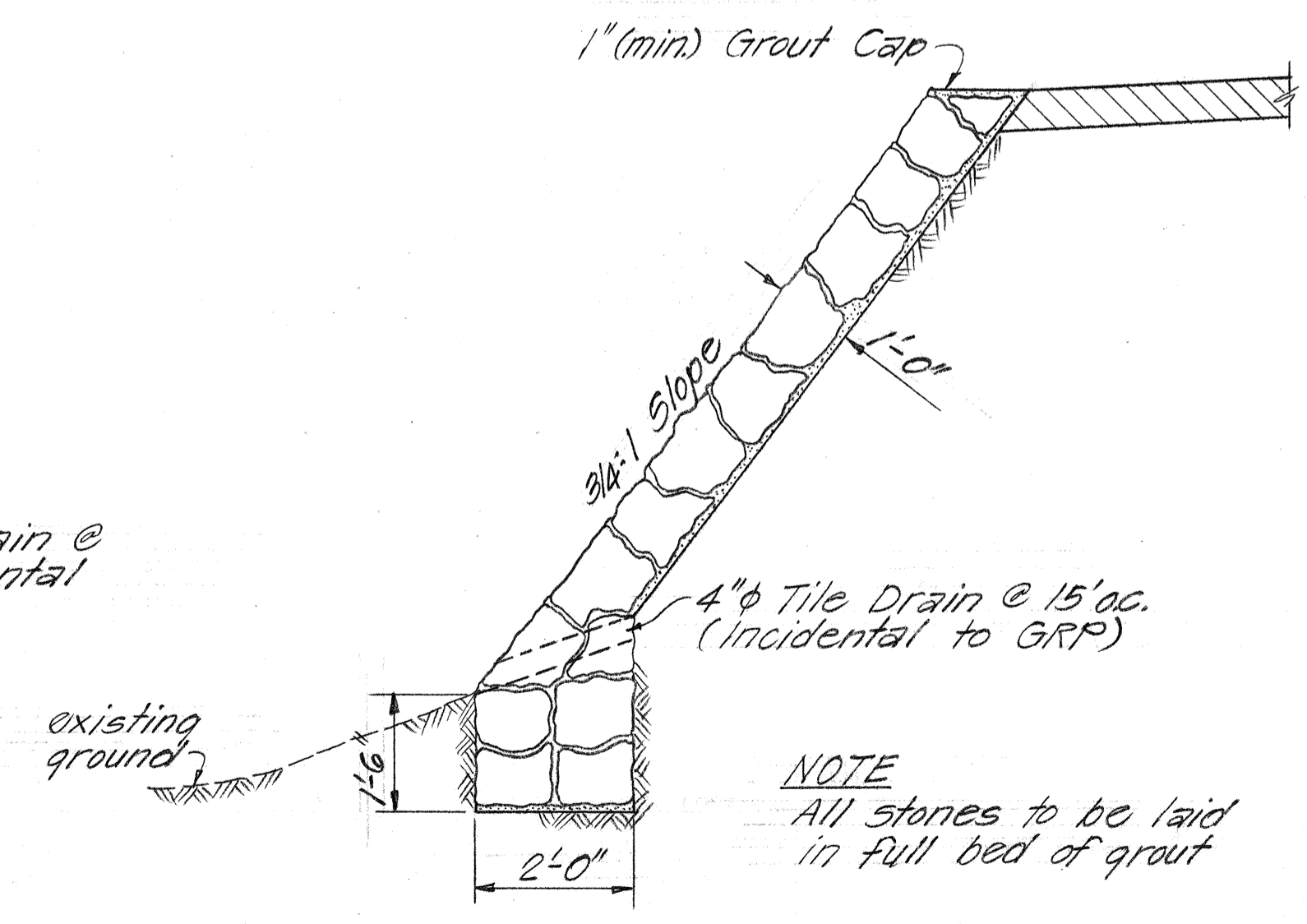
DETAIL A
Scale: 3/4" = 1'-0"



STRIPING PLAN
Scale: 1" = 40'



TYPICAL SECTION OF CRM WALL
Scale: 1/2" = 1'-0"



GRP WALL DETAIL
Not to Scale

NOTE
All stones to be laid in full bed of grout

STATE OF HAWAII
DEPARTMENT OF TRANSPORTATION
LAND TRANSPORTATION FACILITIES DIVISION

TYPICAL SECTIONS, DETAILS AND STRIPING PLAN

ROUTE 27: KAWAIIHAE ROAD
SAFETY IMPROVEMENTS
Vicinity of Spencer Park
Proj. No. HHS-027-1(1)

Scale: As Shown Date:

SHEET No. 1 OF 1 SHEETS