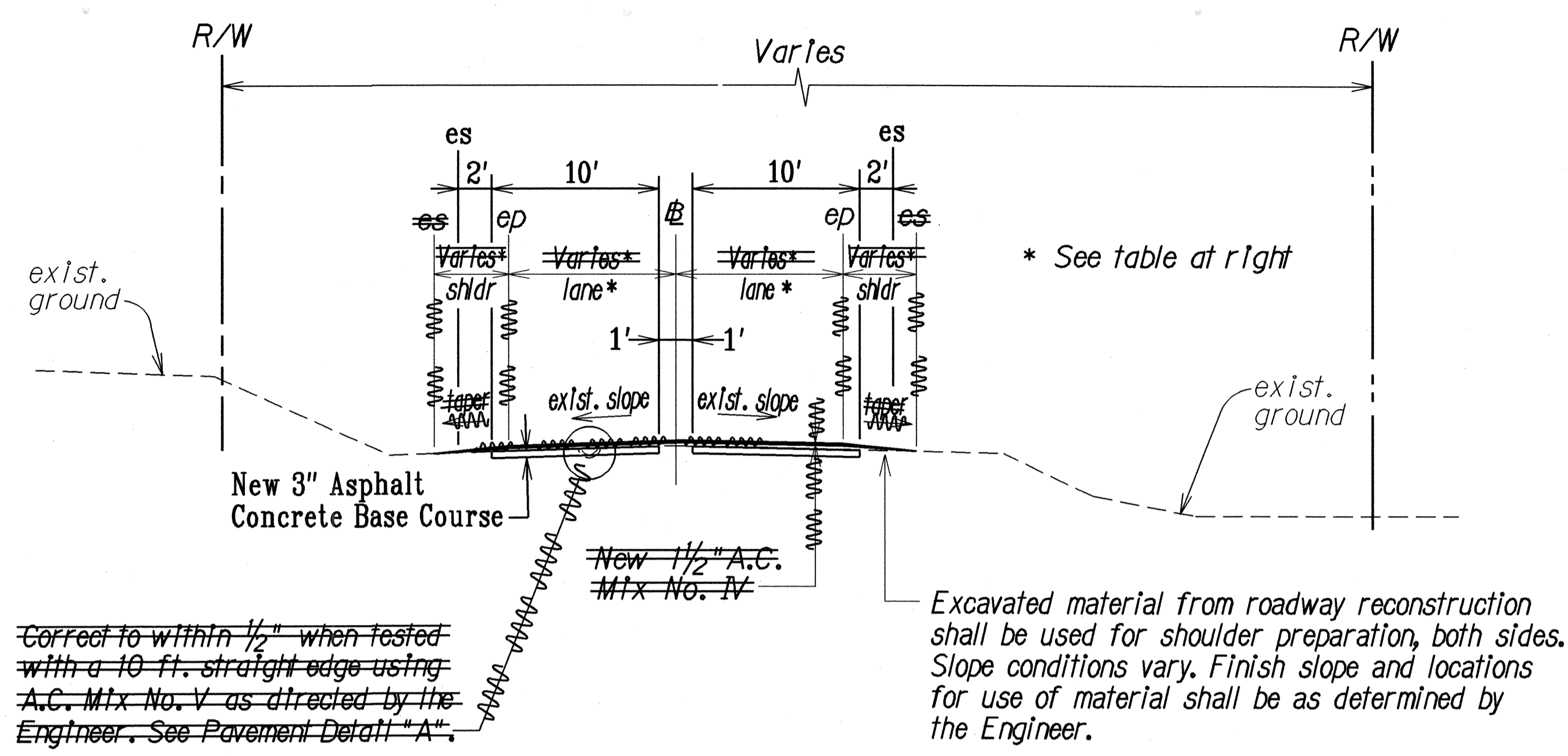


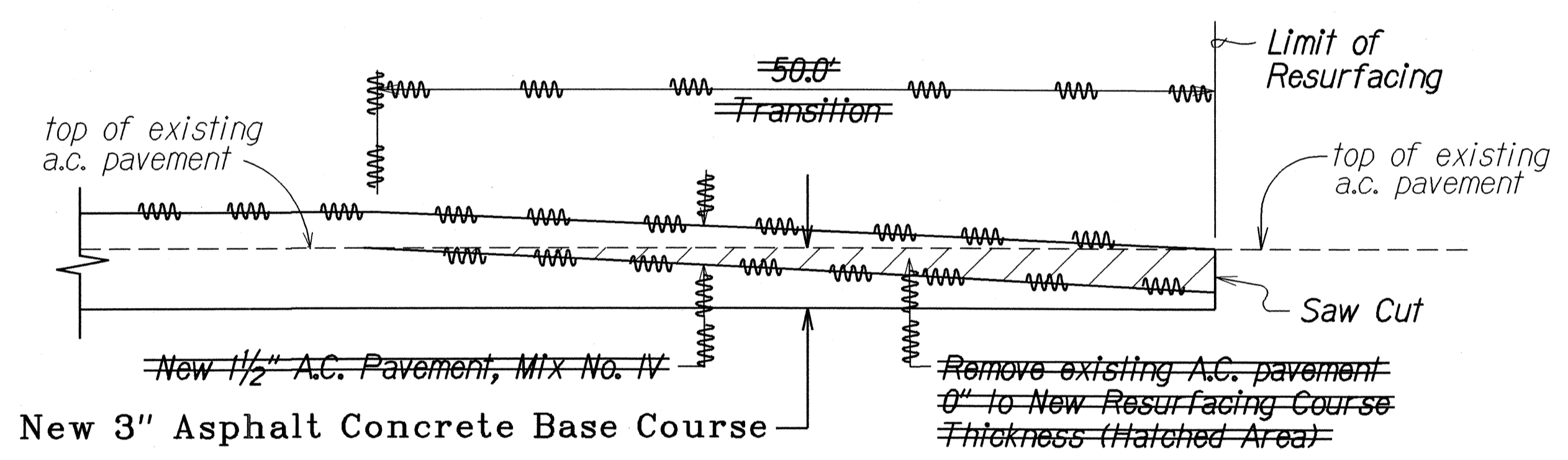
FED. ROAD DIST. NO.	STATE	PROJ. NO.	FISCAL YEAR	SHEET NO.	TOTAL SHEETS
HAWAII	HAW.	250A-01-96M	1996	4	26

TYPICAL LANE AND SHOULDER WIDTHS		
LOCATION	LANE	SHOULDER
Segment A, Sta. 121+50 to Sta. 118+50	11 ft.	1 ft.
Segment A, Sta. 118+50 to Sta. 0+00	10 ft.	2 ft.
Segment B, Sta. 0+00 to Sta. 220+00 14+00 219+00	10 ft.	2 ft.

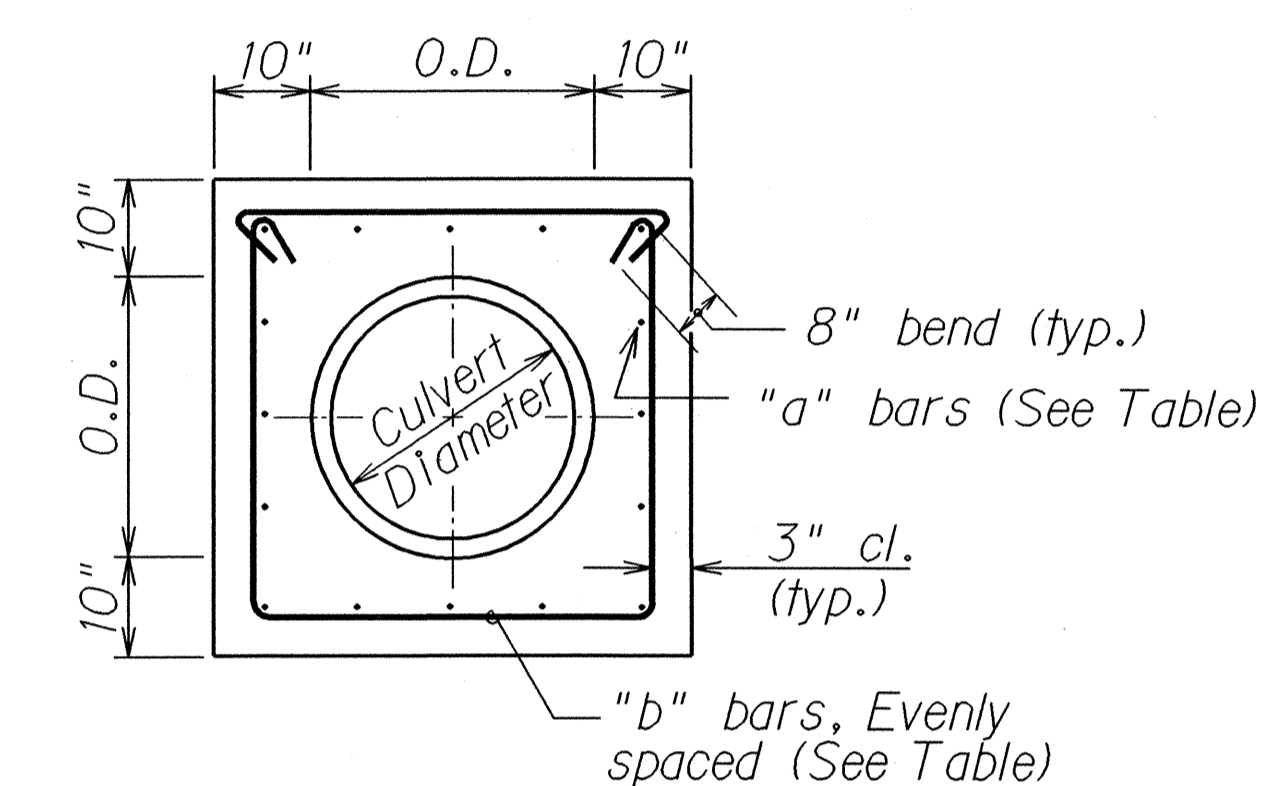


TYPICAL SECTION
Not To Scale

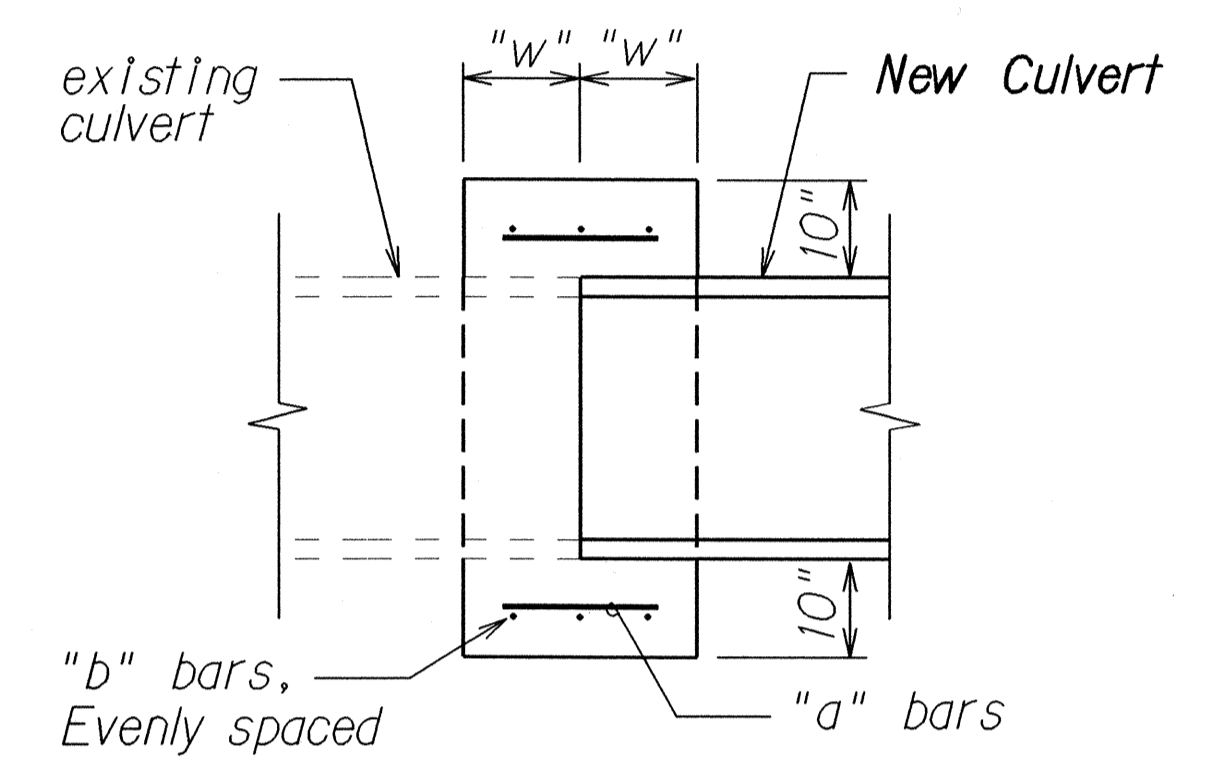
~~Correct to within 1/2" when tested with a 10 ft. straight edge using A.C. Mix No. V as directed by the Engineer. See Pavement Detail "A".~~



COLD PLANED TRANSITION TO EXISTING A.C. PAVEMENT @ PROJECT LIMITS
Not To Scale



ELEVATION



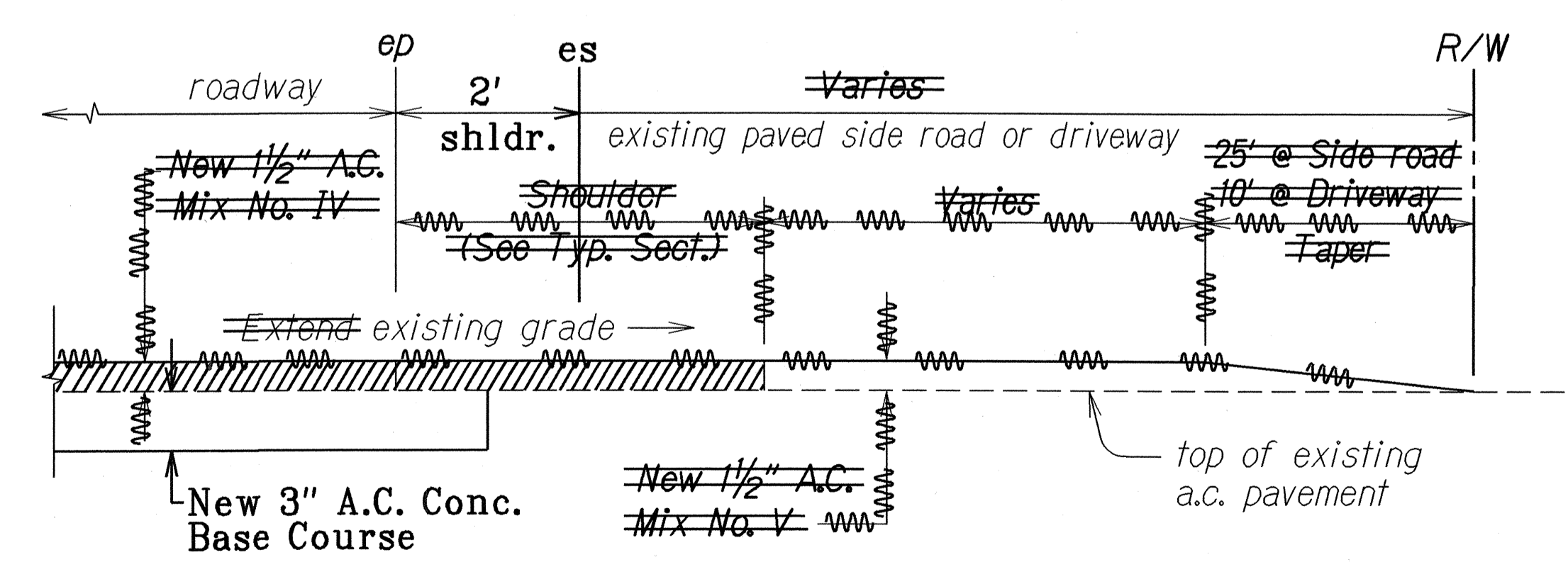
SECTION

Culvert Diameter	"a" bars	"b" bars	"w"
18" to 30"	#4 @ 9"	3- #4	12"

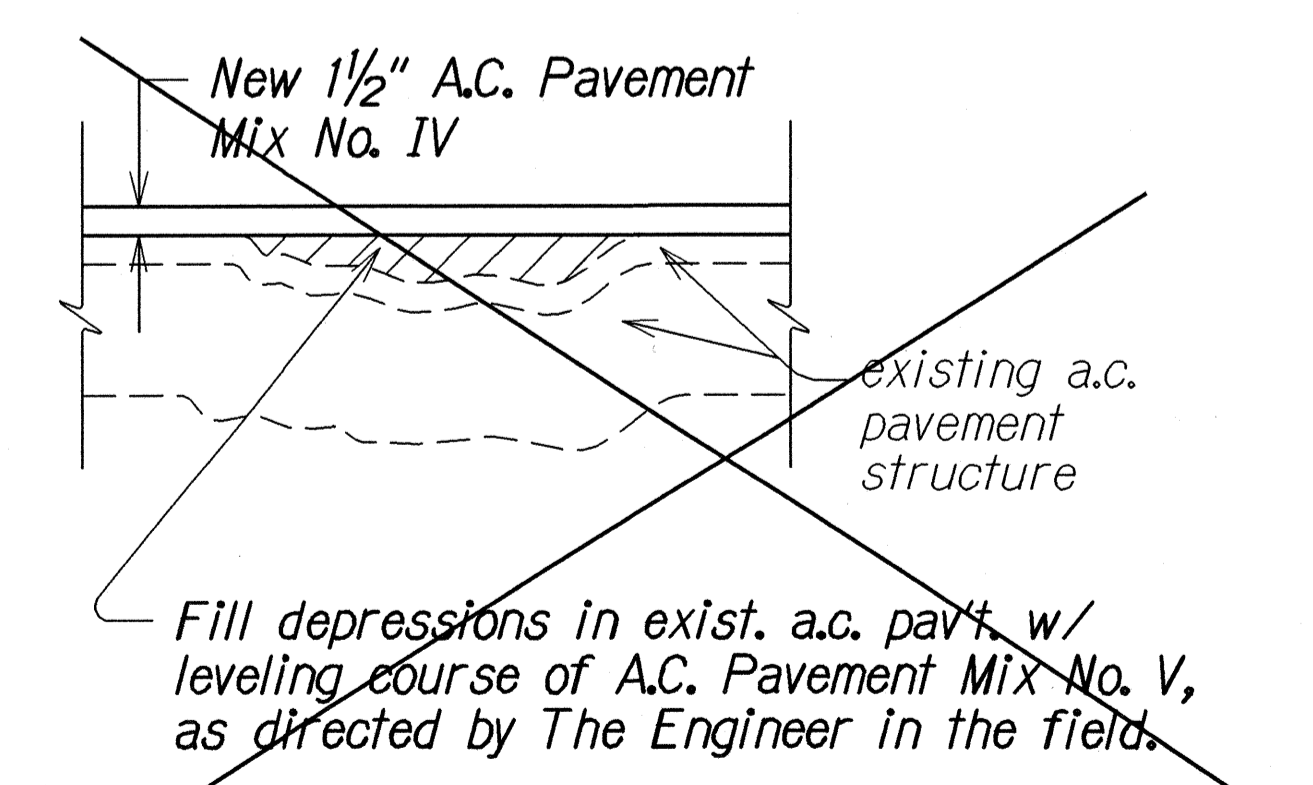
Note: Reinforcing Steel for Concrete Collar shall conform to the requirements of ASTM 615-Grade 60. Concrete shall be Class A.

TYPICAL DETAILS OF REINFORCED CONCRETE COLLAR
Not To Scale

DATE: _____
 DRAWN BY: _____
 CHECKED BY: _____
 DESIGNED BY: _____
 ORIGINAL PLAN: _____
 NOTED: _____
 NO. _____
 8/14/96



A. C. RESURFACING AT PAVED SIDEROAD OR PAVED DRIVEWAY DETAIL
Not To Scale



PAVEMENT DETAIL "A"
Not To Scale

LEGEND FOR AS-BUILT POSTINGS	
	Squiggly line for as-built deletion
	Double line for as-built deletion
	Text for as-built posting

DATE	REVISION
06/13/96	Add Typical Detail of Reinforced Concrete Collar.

STATE OF HAWAII
 DEPARTMENT OF TRANSPORTATION
 HIGHWAYS DIVISION
TYPICAL SECTION & DETAILS
 KOHALA MOUNTAIN ROAD RESURFACING
 IKI ROAD TO KAHUA
 PROJECT NO. 250A-01-96M
 Scale: As Shown Date: March, 1996
 SHEET No. 1 OF 1 SHEETS