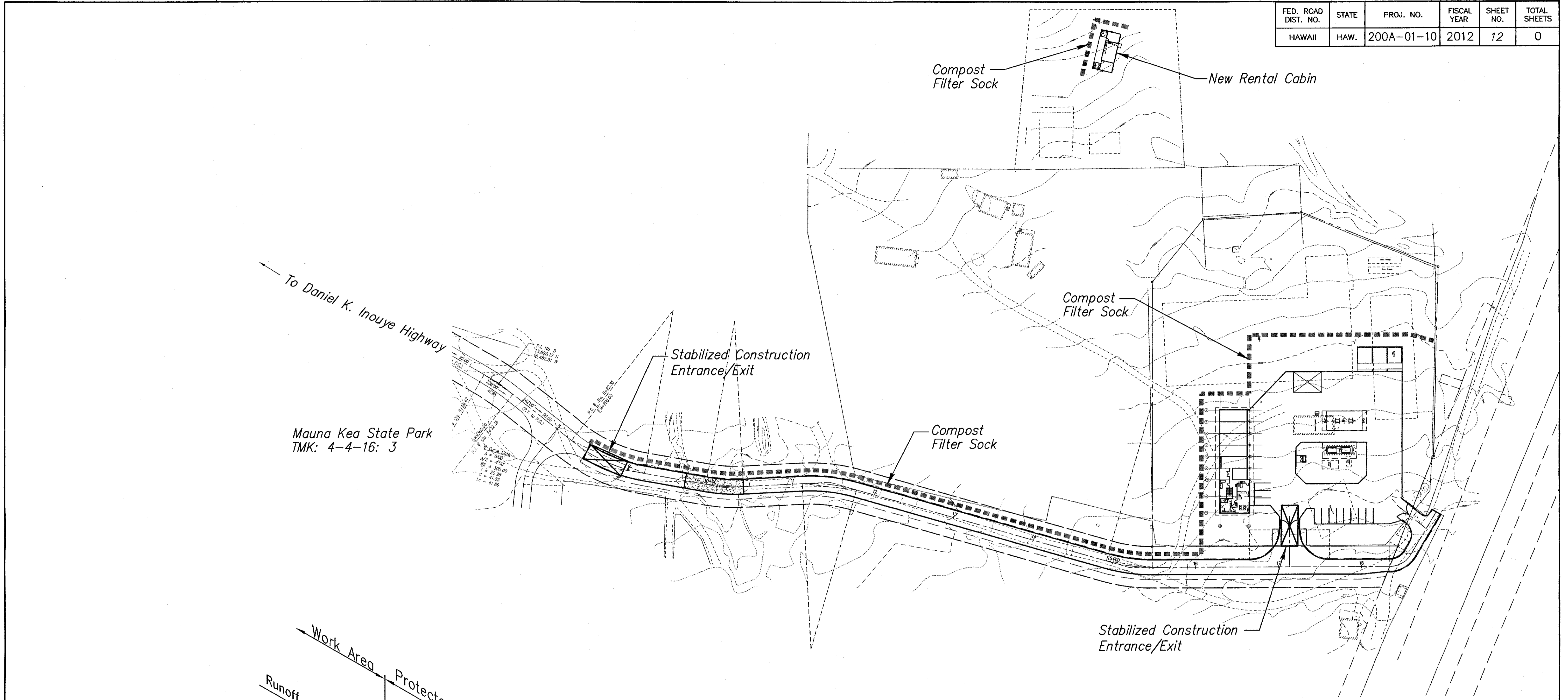
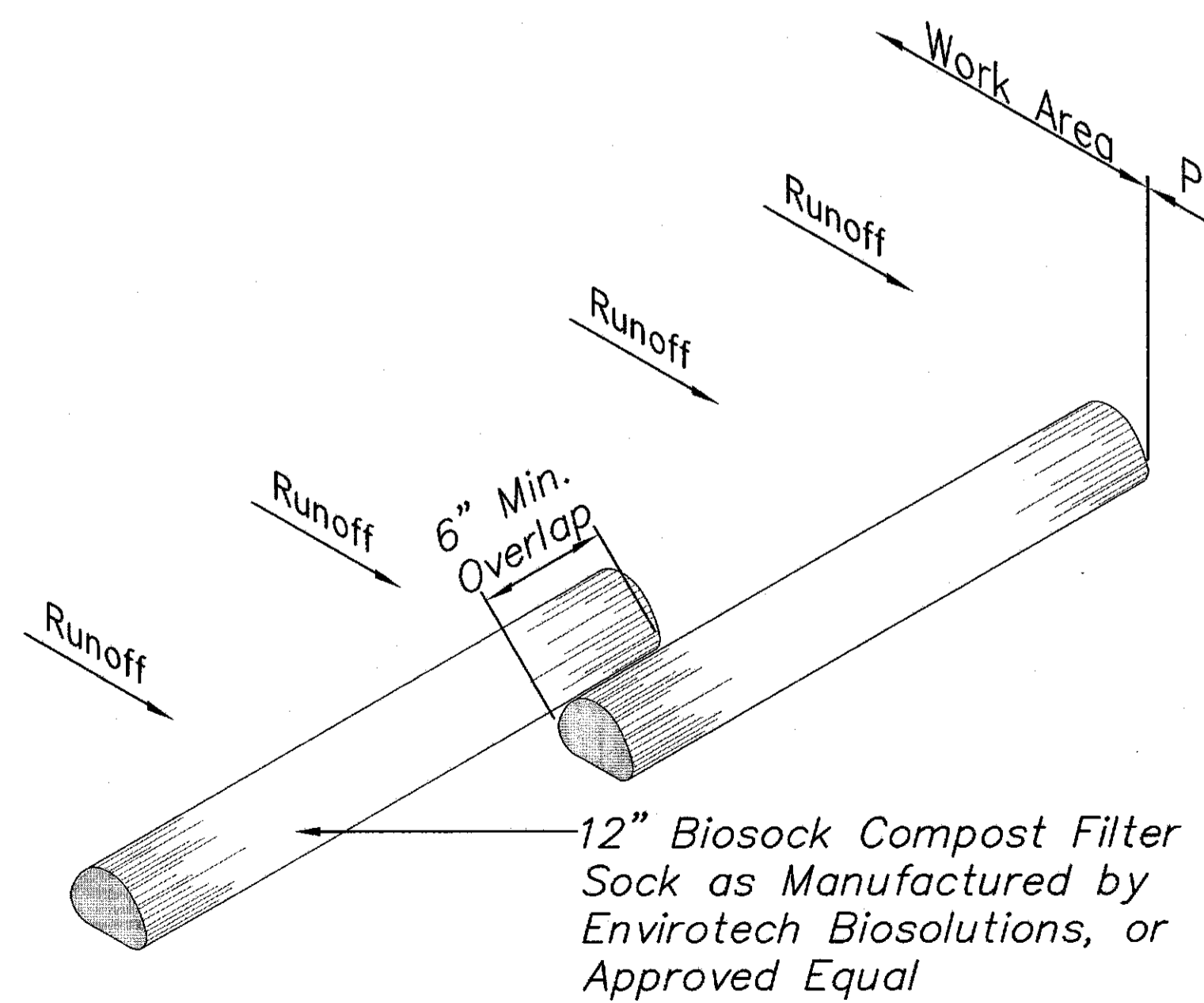


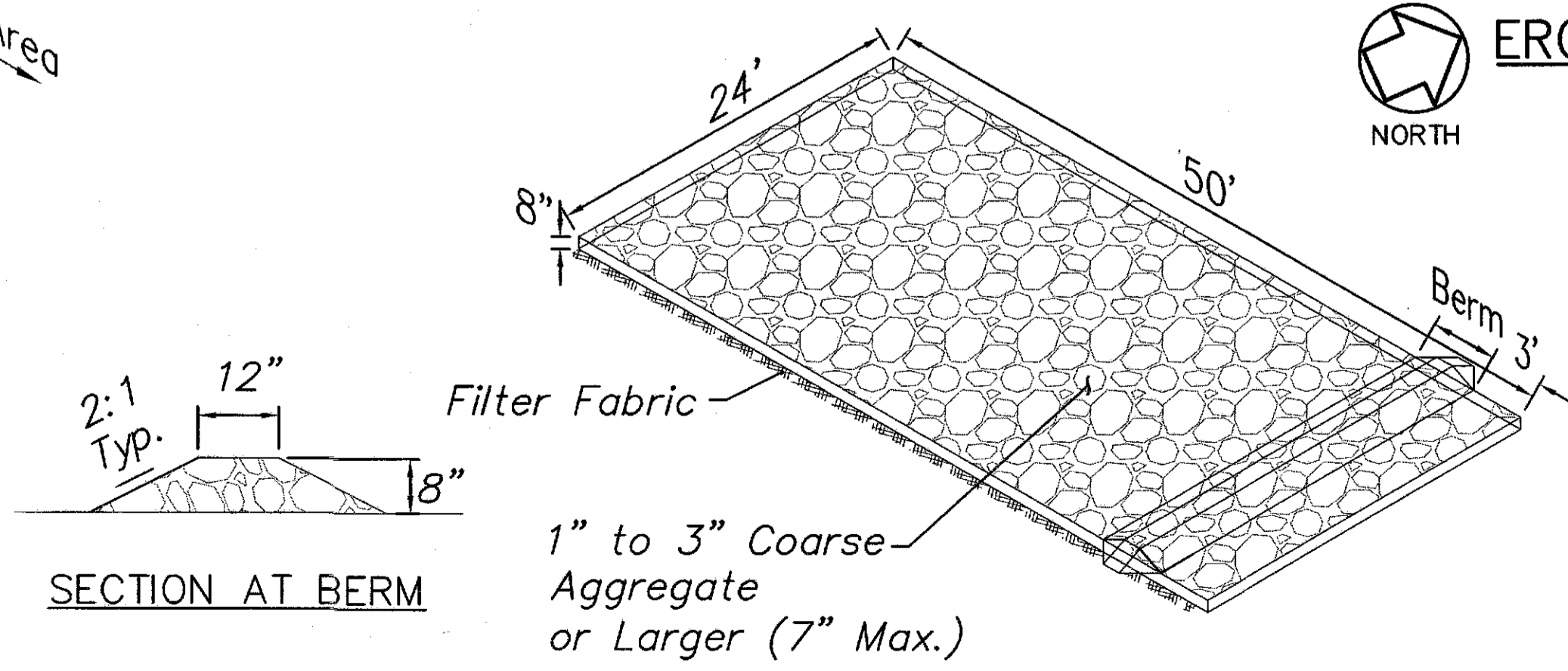
FED. ROAD DIST. NO.	STATE	PROJ. NO.	FISCAL YEAR	SHEET NO.	TOTAL SHEETS
HAWAII	HAW.	200A-01-10	2012	12	0



SURVEY PLOTTED BY: _____ DATE: _____
 ORIGINAL PLAN: _____
 DRAWN BY: _____
 NOTE BOOK: _____
 DESIGNED BY: _____
 QUANTITIES BY: _____
 CHECKED BY: _____
 No. _____

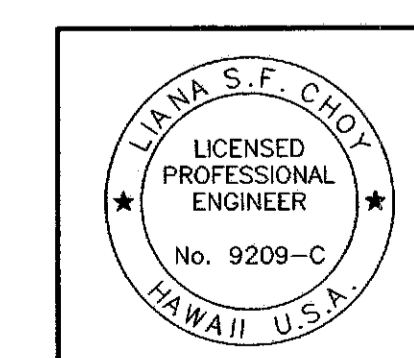


COMPOST FILTER SOCK DETAIL
NOT TO SCALE



STABILIZED CONSTRUCTION ENTRANCE/EXIT
NOT TO SCALE

EROSION CONTROL PLAN
 SCALE: 1"=60'
 0 30' 60' 120'
 NORTH



4/30/2016
 SIGNATURE: _____ EXPIRATION DATE OF THE LICENSE:
 THIS WORK WAS PREPARED BY ME OR UNDER MY SUPERVISION

STATE OF HAWAII
 DEPARTMENT OF TRANSPORTATION
 HIGHWAYS DIVISION
EROSION CONTROL PLAN AND DETAILS
 MAUNA KEA MAINTENANCE
 BASEYARD
 Saddle Road
 Project No. 200A-01-10
 Scale: None Date: September, 2015
 SHEET No. 9 OF X SHEETS

C-9