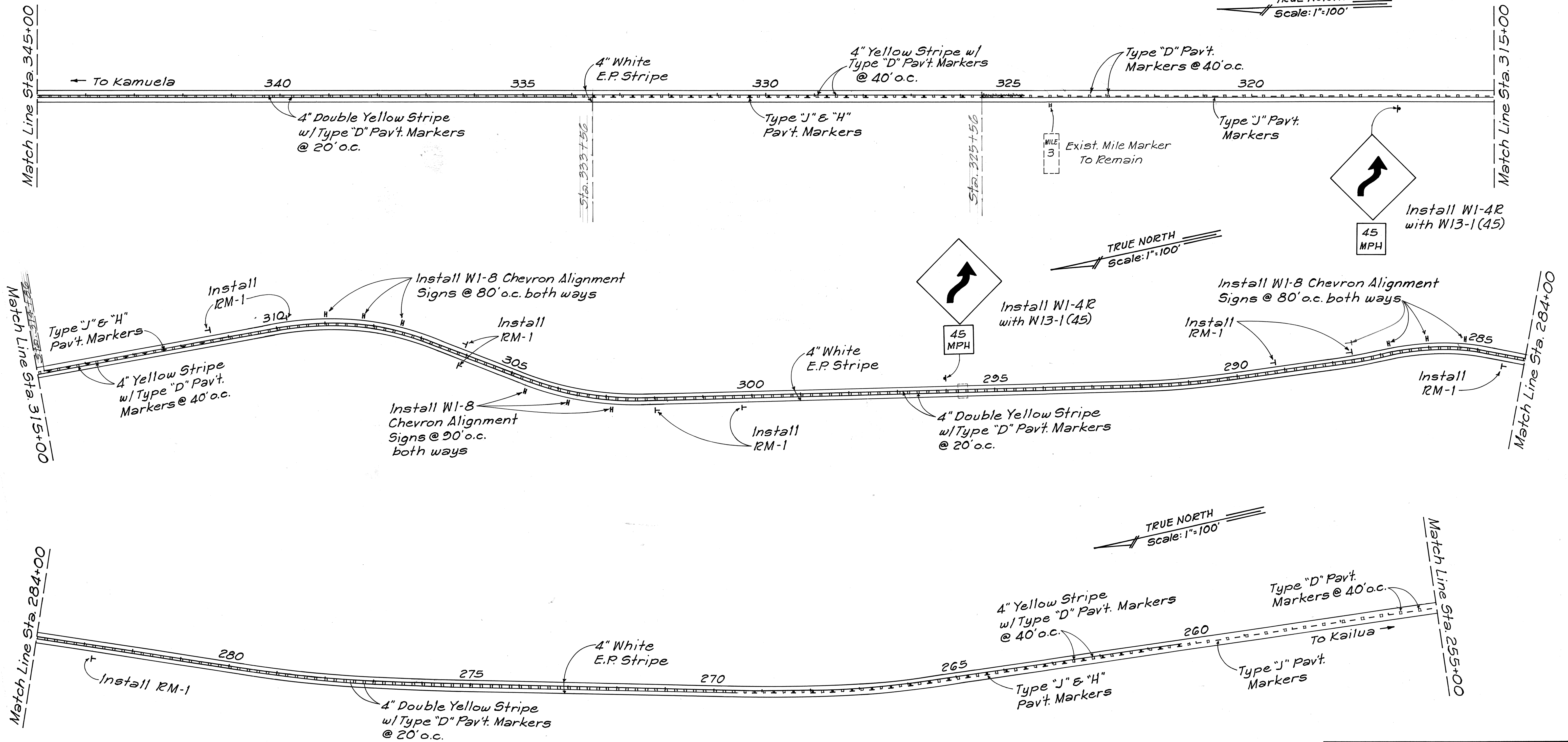


FED. ROAD DIST. NO.	STATE	PROJ. NO.	FISCAL YEAR	SHEET NO.	TOTAL SHEETS
HAWAII	HAW.	RS-0190(7)	1986	12	28

Sta. 323+00 to Sta. 337+00 Lt.

Remove RM-1 (Incidental to Item No. 621.4100 Reflector Marker with Post.

TRUE NORTH
Scale: 1"=100'



DATE	
SURVEY PLOTTED BY	
DRAWN BY	
DESIGNED BY	
QUANTITIES BY	
CHECKED BY	
ORIGINAL PLAN	
NOTE BOOK	
No.	

STATE OF HAWAII
DEPARTMENT OF TRANSPORTATION
HIGHWAYS DIVISION

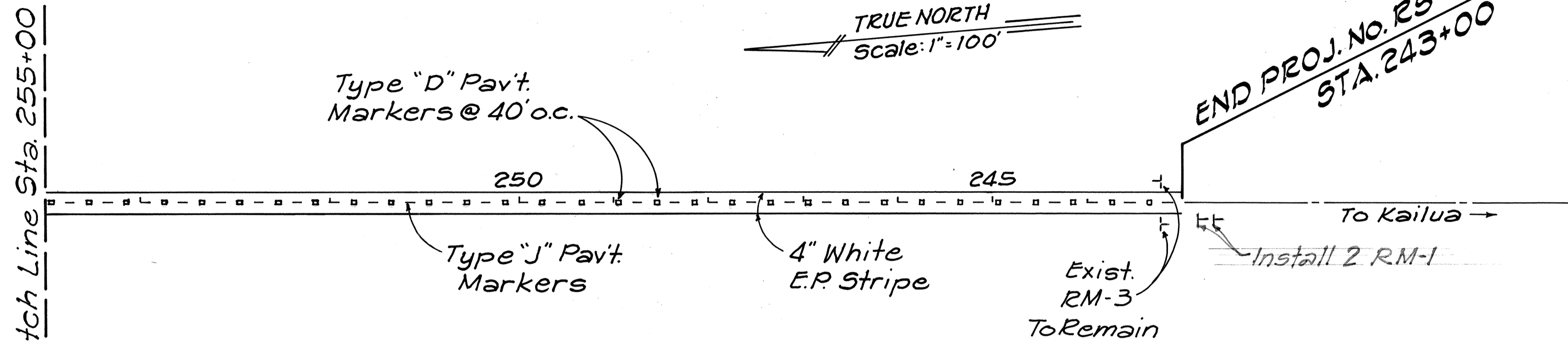
**PAVEMENT MARKERS
& SIGNING LAYOUT**

MAMALAHOA HIGHWAY RESURFACING
WAIMEA TO KAMAKOIA BRIDGE No. I
PROJECT No. RS-0190(7)
Scale: As Noted Date:

FED. ROAD DIST. NO.	STATE	PROJ. NO.	FISCAL YEAR	SHEET NO.	TOTAL SHEETS
HAWAII	HAW.	RS-0190(7)	1986	13	28

PAVEMENT MARKING GENERAL NOTES:

1. The Contractor shall install all pavement markers.
2. The Contractor shall install 4" yellow centerline striping and double 4" yellow centerline striping as shown on the plans and as directed by the Engineer.
3. Edge pavement striping shall be done by State Forces.
4. Pavement areas where striping is to be done by State Forces shall be broomed off by the Contractor. Brooming off shall be incidental to asphalt concrete pavement.

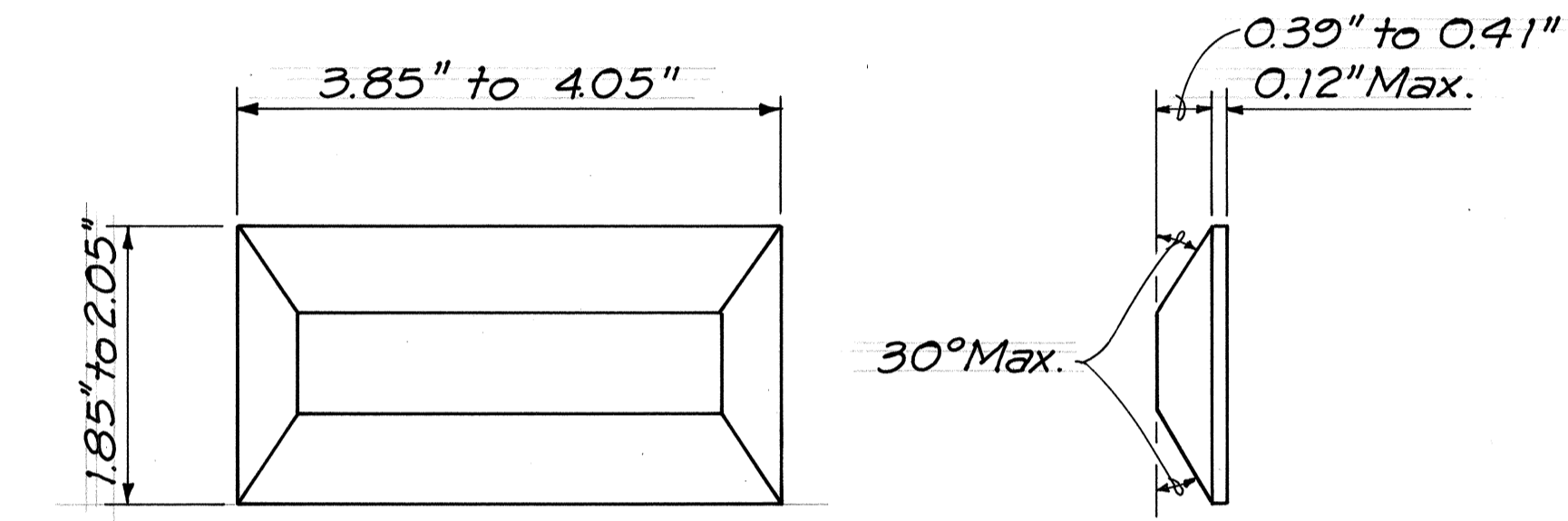


END PROJ. No. RS-0190(7)
STA. 243+00

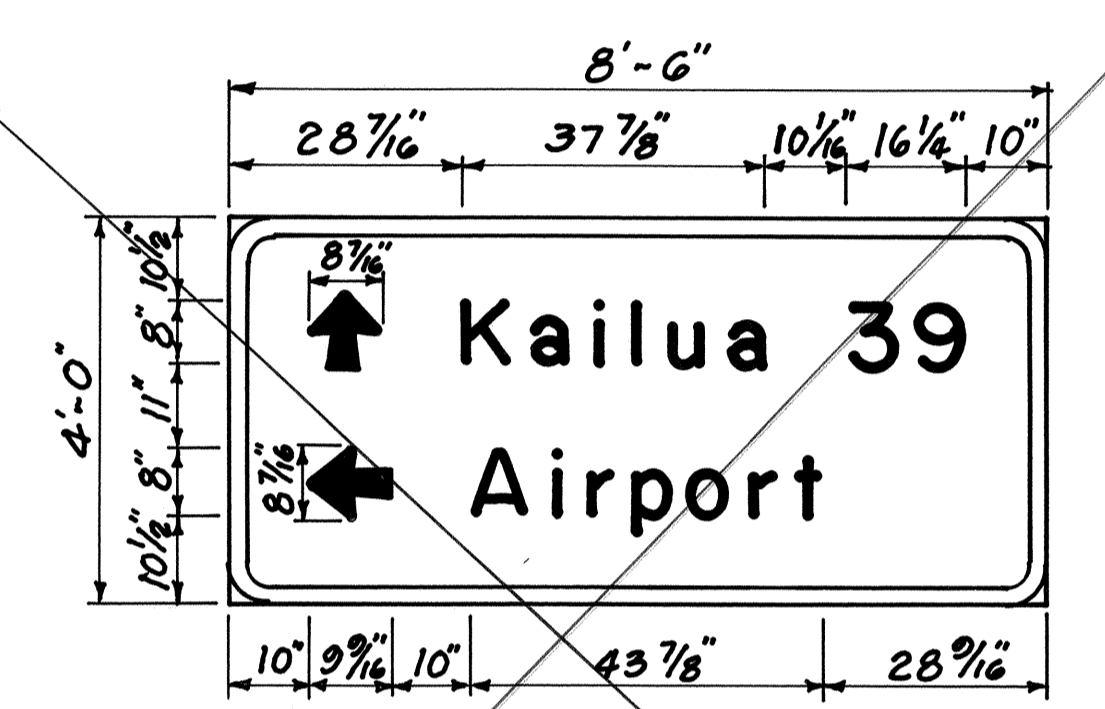
NOTE:

Details of Type D and Type H Markers on standard detail DT-300 shall be deleted and replaced with details of Type DL and Type HL Markers as shown on this sheet. All references to Type D and Type H Markers in the plans shall mean Type DL and Type HL Markers.

TYPE DL
Two-Way Yellow Reflective Marker
or
TYPE HL
One-Way Yellow Reflective Marker



Not to Scale



DETAILS FOR DESTINATION SIGN
STATION 396+00 LT.

This work shall be covered under contract Item No. 621.0200, Panel For Destination Sign and Item No. 621.1300, Breakaway Sign Post And Foundation For Destination Sign. For Post And Base details, see standard detail sheet no. DT 204. Breakaway Sign Post shall be WGX9.

PAVEMENT STRIPING AND MARKER SUMMARY

STATION		DESCRIPTION		* STRIPING		PVMT. MARKERS			
FROM	TO	LEFT	RIGHT	± YELLOW DOUBLE	± WHITE SINGLE	TYPE D	TYPE H	TYPE J	
430+30	425+00	No Passing	Passing	535	1070	13	14	56	
425+00	408+70	Passing	Passing	915	1830	23	23	92	
399+50	393+00	No Passing	No Passing	650	1300	33			
392+60	387+50	No Passing	No Passing	510	1020	26			
387+50	379+60	Passing	No Passing	745	1490	19	18	72	
379+60	353+90	No Passing	No Passing	4570	9140	225			
374+00	370+70	No Passing	No Passing	307	614	23	23	92	
370+70	365+00	Passing	No Passing	570	1180	25	14	56	
365+00	351+80	No Passing	No Passing	3130	6272	9	9	36	
351+80	329+50	No Passing	No Passing	4170	799	8340	20	20	
329+50	260+30	No Passing	Passing	920	1840	23	23	92	
260+30	243+00	Passing	Passing	885	1770	22	22	88	
TOTALS				9900	4440	37460	717	711	872
* Work by State Forces									
314+86	269+50	No Passing	No Passing	4521	9042	226			
269+50	260+30	No Passing	Passing	919	1838	23	23	92	
260+30	243+00	Passing	Passing		3460	44		172	
TOTALS				9159	5950	37342	698	148	936

SIGN SUMMARY

STATION	621.4000 Reflector Marker	621.4100 Reflector Marker w/Post	621.5000 Regulatory & Warning Sign (10ft² or less)	621.5100 Regulatory & Warning Sign (10ft² or less) with Post
399+00 to 397+00 Lt.				8 ea. - W1-8
398+00 to 320+00 Lt. (Utility Poles)	54 ea. (Type II Object Marker)			
382+50 to 375+00 Lt. & Rt.		14 ea.		7 ea. - W1-2R
377+00 Lt.			1 ea. - W13-1(45)	1 ea. - W1-4R
311+40 Rt.		1 ea.		
309+80 Rt.		1 ea.		
309+00 to 307+50 Rt.				6 ea. - W1-8
306+10 Lt. & Rt.		2 ea.		
304+60 to 302+90 Lt.				6 ea. - W1-8
302+00 Lt.		1 ea.		
300+20 Lt.		1 ea.		
296+00 Rt.			1 ea. - W13-1(45)	1 ea. - W1-4R
289+20 Rt.		1 ea.		
287+60 Rt.		1 ea.		
287+00 to 285+00 Rt.				6 ea. - W1-8
284+40 Lt.		1 ea.		
282+80 Lt.		1 ea.		
242+70 & 242+85 Lt.		2 ea.		
TOTALS	54	24	2	28

STATE OF HAWAII
DEPARTMENT OF TRANSPORTATION
HIGHWAYS DIVISION

PAVEMENT MARKERS & SIGNING LAYOUT

MAMALAHOA HIGHWAY RESURFACING
WAIMEA TO KAMAKOHA BRIDGE No. I
PROJECT No. RS-0190(7)
Scale: As Noted Date: _____

SHEET No. 3 OF 3 SHEETS