

FED. ROAD DIST. NO.	STATE	FED. AID PROJ. NO.	FISCAL YEAR	SHEET NO.	TOTAL SHEETS
HAWAII	HAW.	19H-01-00M	2000	7	19

**LEGEND**

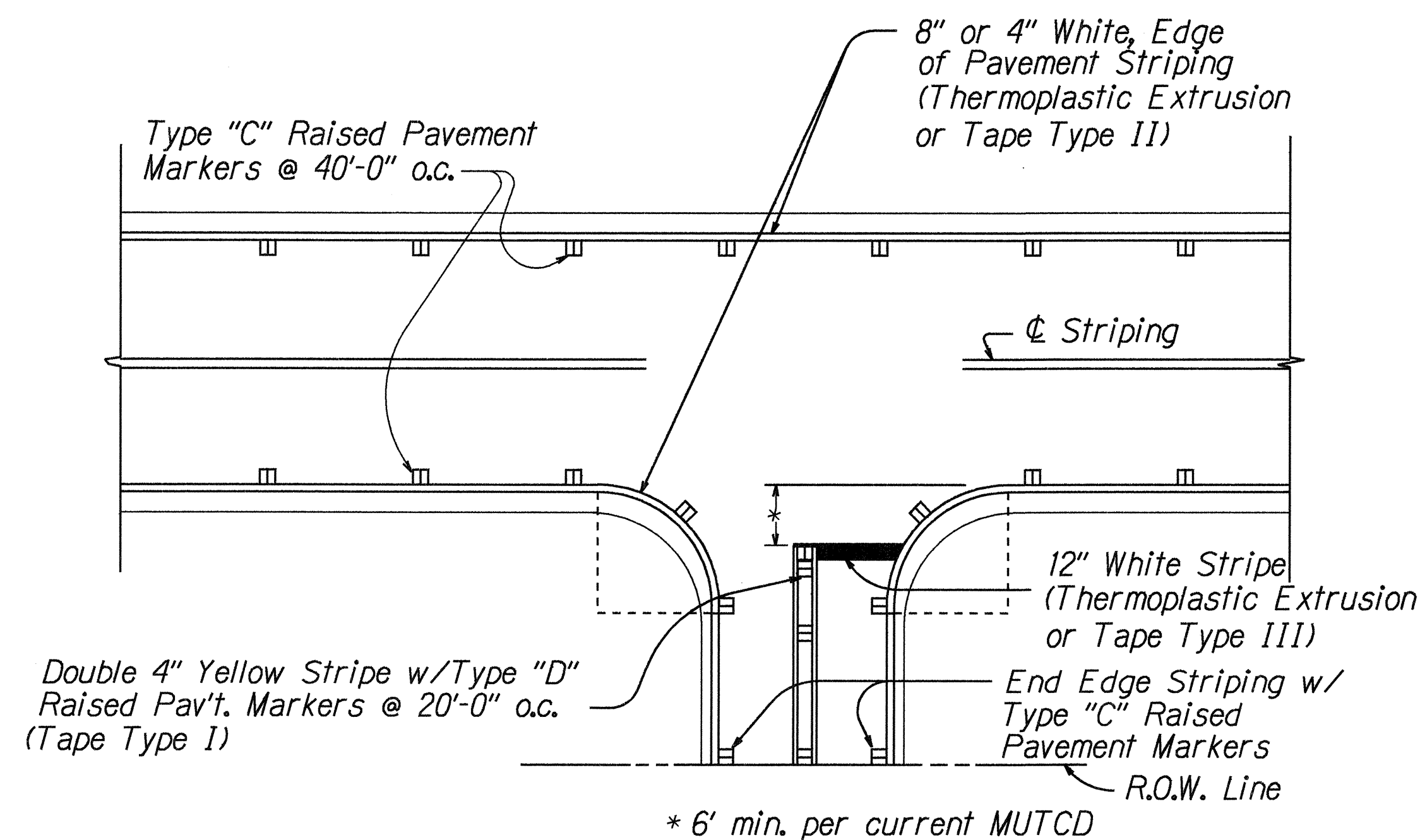
- 4 each Type A Raised Pavement Markers  
Type C Raised Pavement Markers @ 40'- 0" o.c.
- 4 each Type J Raised Pavement Markers  
Type D Raised Pavement Markers @ 40'- 0" o.c.
- 4 Each Type J Raised Pavement Markers  
Type D Raised Pavement Markers @ 40'-0" o.c.  
Type H Raised Pavement Markers (Reflective  
Surface facing no-passing direction)  
4" Single Solid Yellow Stripe  
(Tape Type I or Thermoplastic Extrusion)
- 4" Double Solid Yellow Centerline Stripes with  
Type D Raised Pavement Markers @ 20'- 0" o.c.  
(Tape Type I or Thermoplastic Extrusion)
- 4" Double Solid Yellow Transverse Median Stripes  
with Type H Raised Pavement Markers @ 20'- 0"  
o.c. (Tape, Type I or Thermoplastic Extrusion)
- 4" Double Yellow Guide Lines for Transverse Median  
@ Private Driveways with Type H Raised Pavement Markers  
@ 20'-0" o.c. (Tape, Type III or Thermoplastic Extrusion)
- 4" or 8" White Edge Stripe with Type C Raised  
Pavement Markers @ 40'-0" o.c.  
(Tape Type II or Thermoplastic Extrusion)
- 8" White Channelizing Stripe with Type C Raised  
Pavement Markers @ 20'-0' o.c. (Tape, Type I  
or Thermoplastic Extrusion)
- Transverse Median Diagonal Marking 12" Wide  
@ 20'-0" o.c. (Tape, Type II or  
Thermoplastic Extrusion)
- 4" Double Solid Yellow Longitudinal Median Stripes  
with Type H Raised Pavement Markers @ 20'- 0"  
o.c. (Tape Type I or Thermoplastic Extrusion)
- Channelizing Island or Deceleration Lane Gore  
(Tape Type II or Thermoplastic Extrusion)
- 4 Each Type A Raised Pavement Markers  
10' wide (See Std. Plan TE-31)  
Type C Raised Pavement Markers @ 20'-0" o.c.  
4" Single Solid White Stripe  
(Tape Type I or Thermoplastic Extrusion)
- 4" Guide Lines, 2' Stripe with 4'-0" space  
(Tape, Type III or Thermoplastic Extrusion)
- 4" Edge Line Extension, 2' Stripe at 10'-0"  
o.c. (Tape, Type III or Thermoplastic Extrusion)  
with Type C Markers at 40'-0" o.c.
- Pavement Arrow (Tape, Type III or Thermoplastic  
Extrusion)
- Pavement Word (Tape, Type III or Thermoplastic  
Extrusion)
- Crosswalk (Tape, Type III or Thermoplastic  
Extrusion)
- Rumble Strip - 32 Each Type A Raised Pavement  
Markers per Strip.

**REFLECTOR MARKER LEGEND**

- RM-2, White Reflector Marker with flex post unless otherwise noted.
- RM-3, Yellow Reflector Marker with flex post unless otherwise noted.
- RM-4 with flex post unless otherwise noted.
- Bi-Directional RM-3 Yellow Reflector Marker & RM-2 White Reflector  
Marker with flex post unless otherwise noted.
- Bi-Directional RM-3, Yellow Reflector Marker with flex post  
unless otherwise noted.

**NOTES**

1. Layout of pavement markings and striping shall be done by the Contractor and approved by the Engineer prior to any installation work.
2. Raised pavement markers shall not be installed within crosswalks.
3. Final locations of all Stop Lines shall be approved by the Engineer prior to installation.
4. All pavement striping and markings shall be as noted on the Legend or plans, or as directed by the Engineer and shall conform to State standards.
5. All preformed pavement marking tapes over existing pavement shall be applied with an approved primer as recommended by the tape manufacturer and as approved by the Engineer. The primer shall be allowed to dry to the tacky stage prior to tape application.



**TYPICAL EDGE OF PAVEMENT MARKING**  
Not to Scale

DATE	_____
DESIGNED BY	_____
DRAWN BY	_____
CHECKED BY	_____
INSTR. BOOK	_____
NO.	_____
DATE	_____
DESIGNED BY	_____
DRAWN BY	_____
CHECKED BY	_____
INSTR. BOOK	_____
NO.	_____

STATE OF HAWAII  
DEPARTMENT OF TRANSPORTATION  
HIGHWAYS DIVISION

**PAVEMENT MARKING LEGEND**

HAWAII BELT ROAD  
EMERGENCY REALIGNMENT  
VICINITY OF OPEA STREAM  
PROJECT NO. 19H-01-00M

Scale: None Date: March, 2000

SHEET No. 1 OF 1 SHEETS