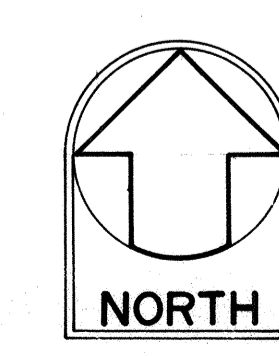


SIGNING AND STRIPING PLAN

SCALE: 1" = 80'



Rev	Date	Description	Eng	App
1	10/7/93	REVISE SIGNING, ADD BARRICADE PER DOT	AK	
2	7-14-92	REVISE SIGNING AND STRIPING AND WHEELCHAIR RAMPS	CP	
3	12/4/91	REVISE SIGNING AND STRIPING	CP	

CHERYL M. PALESH
REGISTERED PROFESSIONAL ENGINEER
No. 5952-C
HAWAII, U.S.A.

THIS WORK WAS PREPARED BY ME OR UNDER MY SUPERVISION AND CONSTRUCTION OF THIS PROJECT WILL BE UNDER MY OBSERVATION.

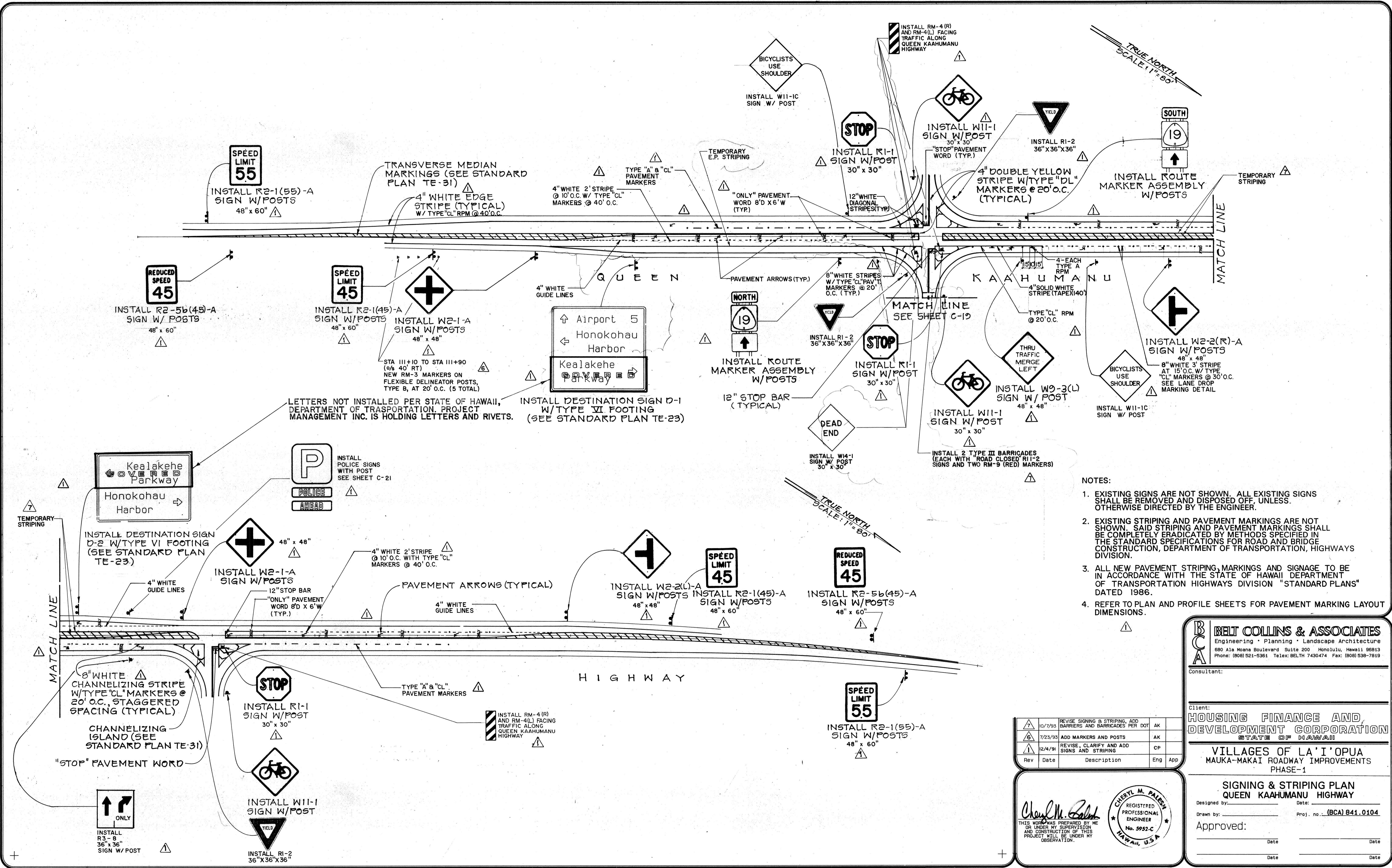
BELT COLLINS & ASSOCIATES
Engineering • Planning • Landscape Architecture
680 Ala Moana Boulevard Suite 200 Honolulu, Hawaii 96813
Phone: (808) 521-5361 Telex: BELTH 7430474 Fax: (808) 538-7819

Client:
HOUSING FINANCE AND DEVELOPMENT CORPORATION
STATE OF HAWAII

VILLAGES OF LA'I OPUA
MAUKA-MAKAI ROADWAY IMPROVEMENTS
PHASE-1

SIGNING AND STRIPING PLAN
KEALAKEHE PARKWAY

Designed by: _____ Date: _____
Drawn by: _____ Proj. no. (BCA) 841.0104
Approved: _____
Date: _____



- NOTES:
- EXISTING SIGNS ARE NOT SHOWN. ALL EXISTING SIGNS SHALL BE REMOVED AND DISPOSED OFF, UNLESS OTHERWISE DIRECTED BY THE ENGINEER.
 - EXISTING STRIPING AND PAVEMENT MARKINGS ARE NOT SHOWN. SAID STRIPING AND PAVEMENT MARKINGS SHALL BE COMPLETELY ERADICATED BY METHODS SPECIFIED IN THE STANDARD SPECIFICATIONS FOR ROAD AND BRIDGE CONSTRUCTION, DEPARTMENT OF TRANSPORTATION, HIGHWAYS DIVISION.
 - ALL NEW PAVEMENT STRIPING, MARKINGS AND SIGNAGE TO BE IN ACCORDANCE WITH THE STATE OF HAWAII DEPARTMENT OF TRANSPORTATION HIGHWAYS DIVISION "STANDARD PLANS" DATED 1986.
 - REFER TO PLAN AND PROFILE SHEETS FOR PAVEMENT MARKING LAYOUT DIMENSIONS.

BELT COLLINS & ASSOCIATES
 Engineering • Planning • Landscape Architecture
 680 Ala Moana Boulevard Suite 200 Honolulu, Hawaii 96813
 Phone: (808) 521-5361 Telex: BELTH 7430474 Fax: (808) 538-7819

Client:
HOUSING FINANCE AND DEVELOPMENT CORPORATION
 STATE OF HAWAII

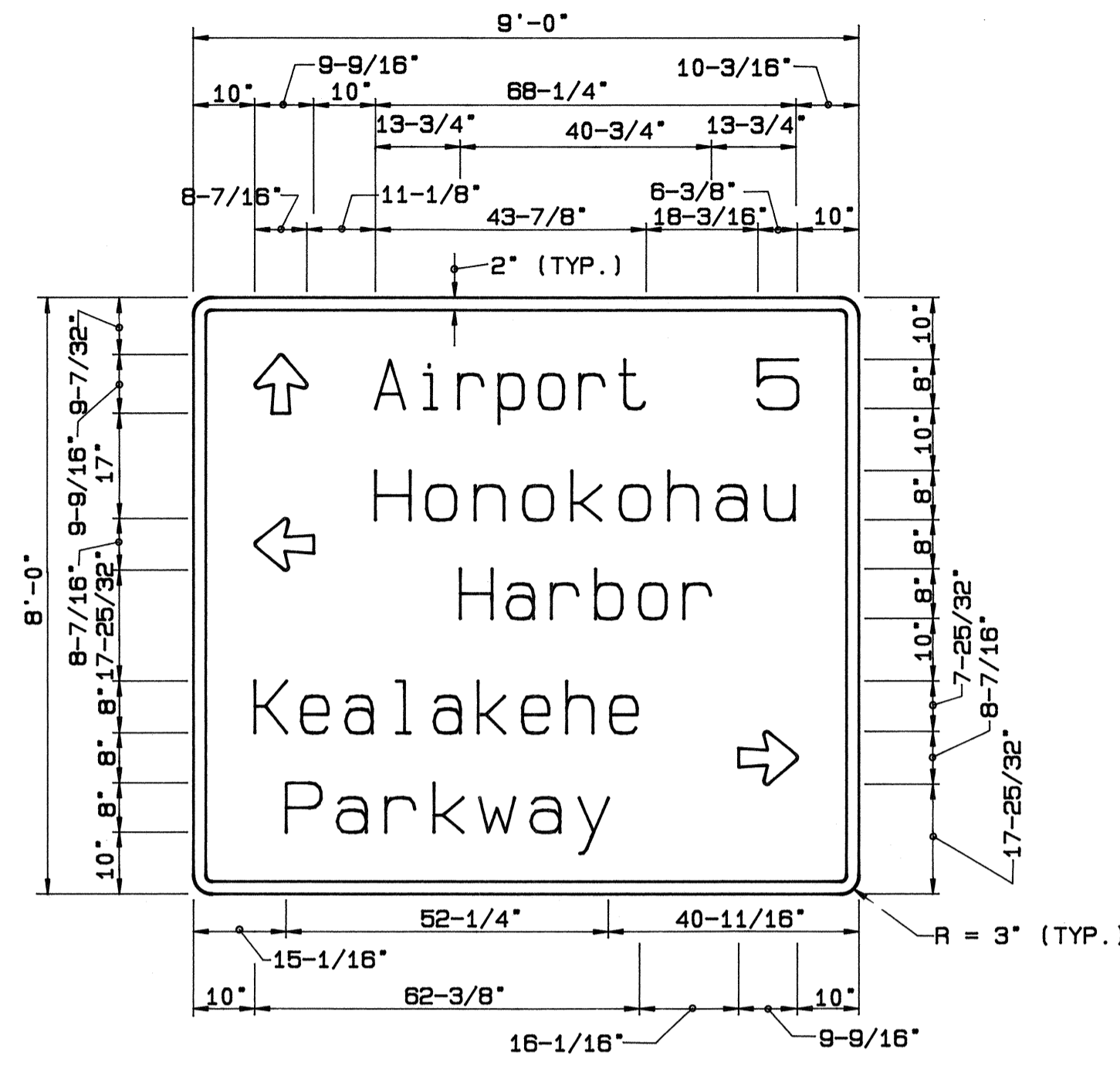
VILLAGES OF LA'I OPUA
 MAUKA-MAKAI ROADWAY IMPROVEMENTS
 PHASE-1

SIGNING & STRIPING PLAN
 QUEEN KAAHUMANU HIGHWAY

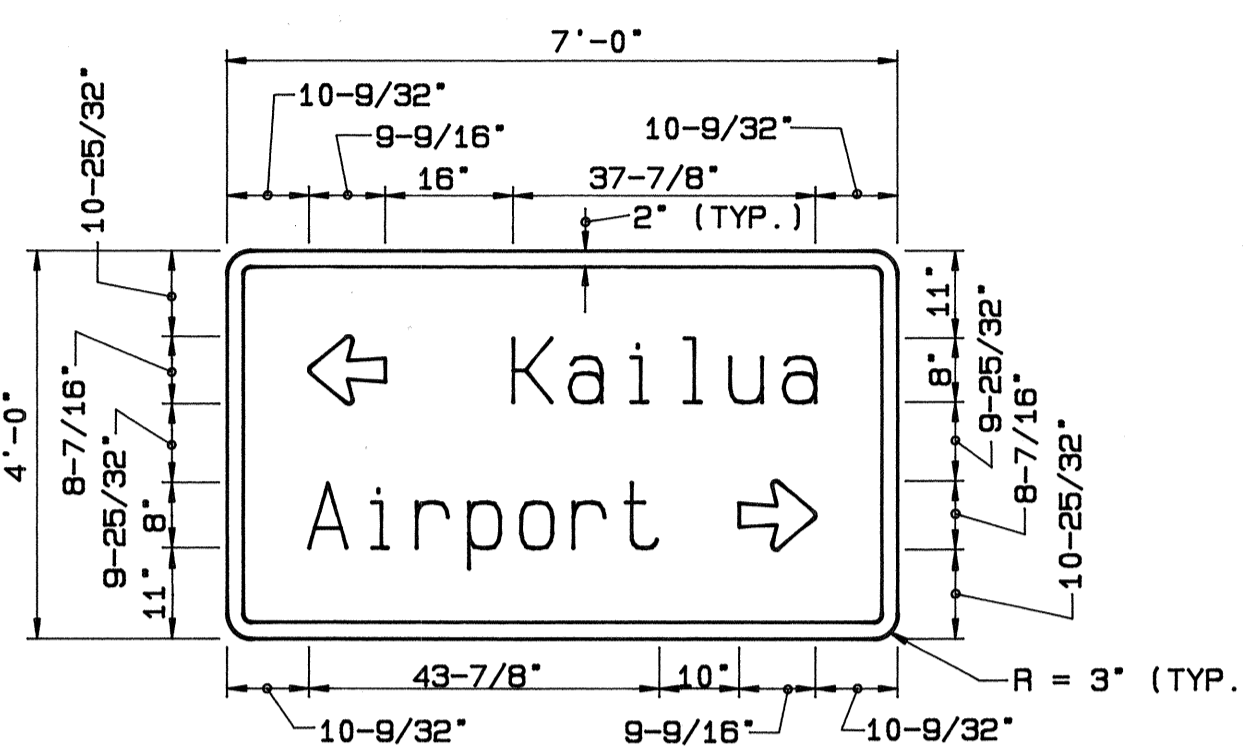
Designed by: _____ Date: _____
 Drawn by: _____ Proj. no.: (BCA) 841.0104
 Approved: _____ Date: _____

Rev	Date	Description	Eng	APP
1	10/7/93	REVISE SIGNING & STRIPING, ADD BARRIERS AND BARRICADES PER DOT	AK	
2	7/23/93	ADD MARKERS AND POSTS	AK	
3	12/4/91	REVISE, CLARIFY AND ADD SIGNS AND STRIPING	CP	

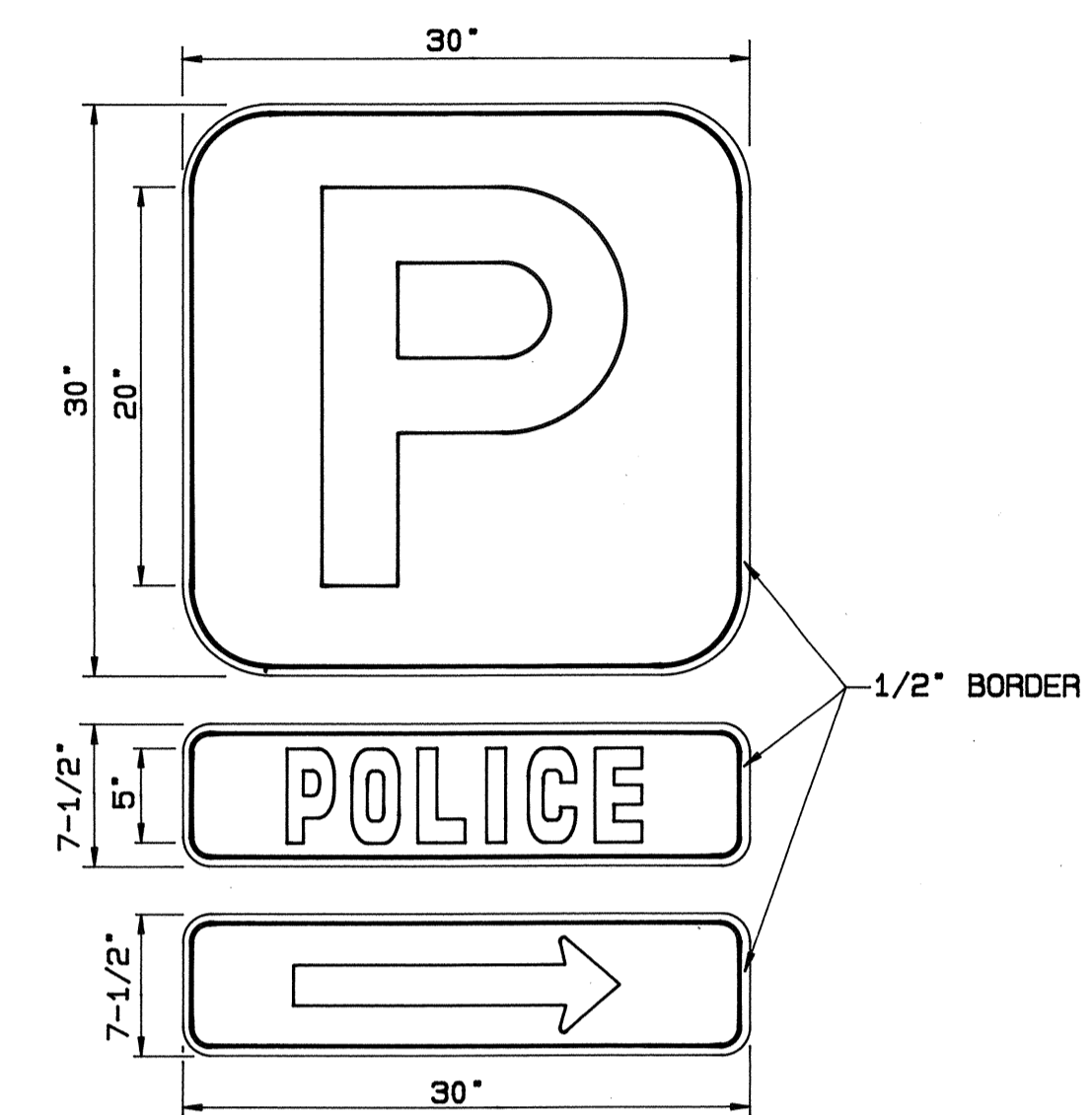
Cheryl M. Paise
 REGISTERED PROFESSIONAL ENGINEER
 No. 5952-C
 HAWAII, U.S.A.



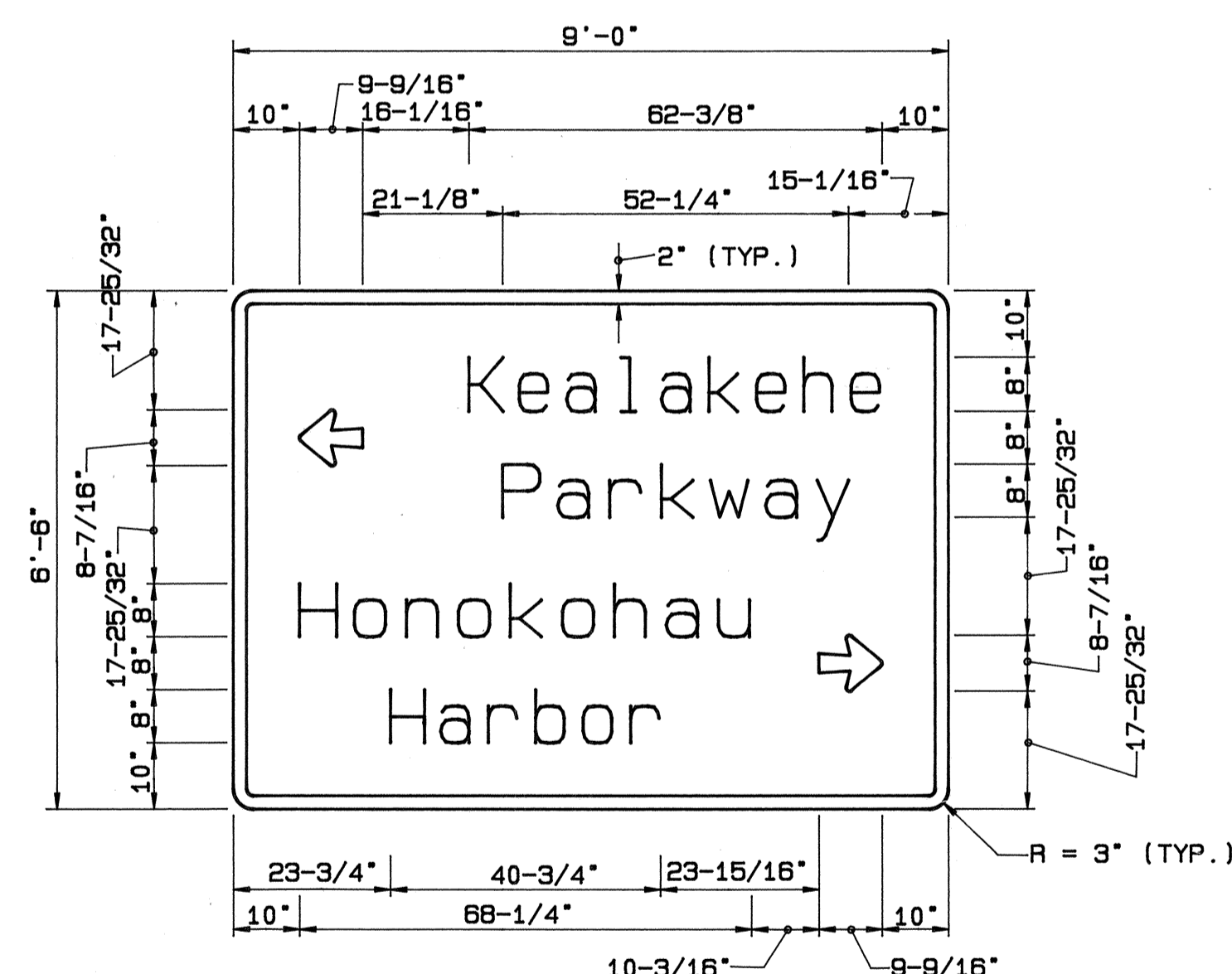
DESTINATION SIGN D-1
SCALE: 1/2"=1'



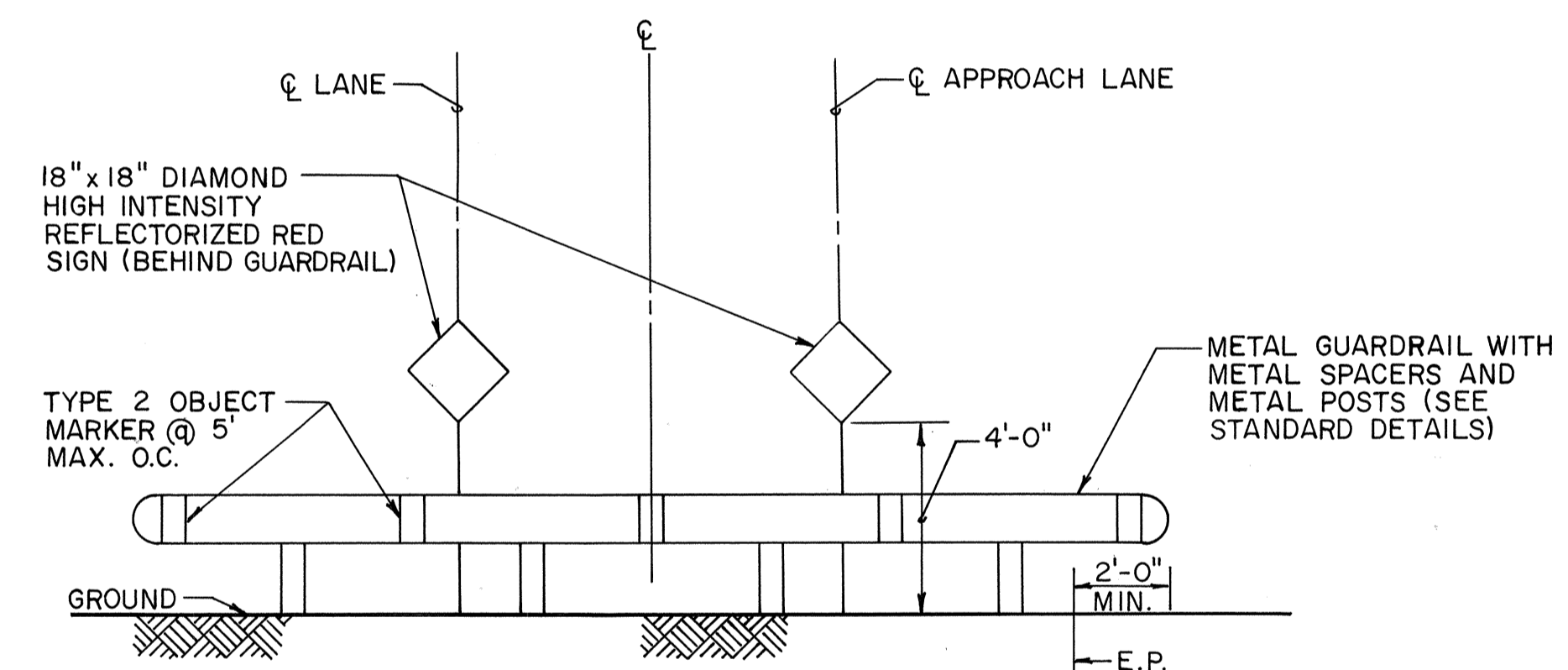
DESTINATION SIGN D-3
SCALE: 1/2"=1'



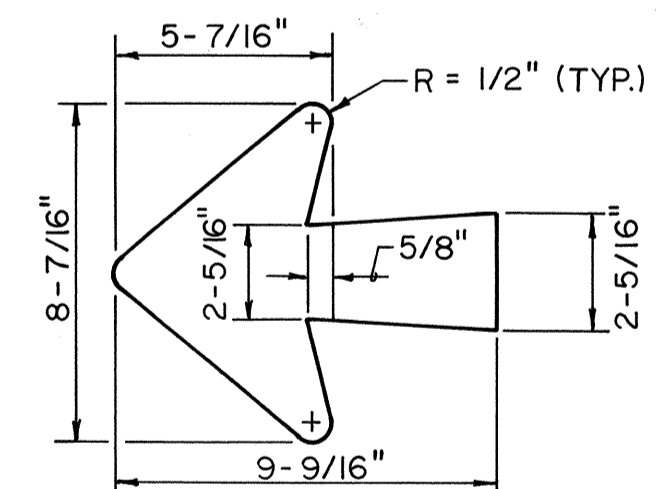
POLICE SIGN
NOT TO SCALE



DESTINATION SIGN D-2
SCALE: 1/2"=1'



END OF ROAD BARRIER & MARKERS
NOT TO SCALE



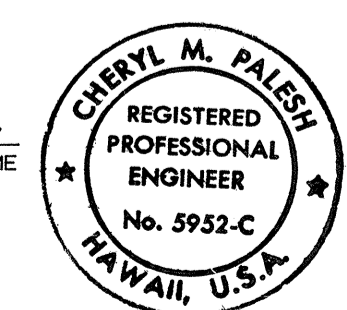
ARROW DETAIL

- NOTES:
- SIGN SIZE, DIMENSIONS AND COLOR SAME AS "HOSPITAL" SIGN (D8-2) EXCEPT LEGEND TO READ "P" (POLICE).
 - REPLACE "→" SIGN WITH "AHEAD" SIGN AS REQUIRED. "AHEAD" SIGN TO BE SAME SIZE, DIMENSIONS AND COLOR AS "POLICE" SIGN.

- NOTES:
- DESTINATION SIGNS SHALL HAVE WHITE REFLECTIVE LETTERS AND BORDERS ON GREEN REFLECTIVE SHEETING BACKGROUND.
 - LETTERS SHALL BE MODIFIED "E" SERIES LETTERS (8" CAPITALS / 6" LOWERCASE) AND SHALL CONFORM WITH THE "STANDARD ALPHABET FOR HIGHWAY SIGNS". ARROWS SHALL BE STANDARD HIGHWAY ARROWS AS DETAILED.
 - SIGN MATERIALS SHALL CONFORM WITH SUBSECTION 712.20, SIGNS, OF THE "SPECIFICATIONS FOR ROAD AND BRIDGE CONSTRUCTION," STATE HIGHWAYS DIVISION, DEPARTMENT OF TRANSPORTATION.

Rev	Date	Description	Eng	App
7-14-92		ADDED END OF ROAD BARRIER & MARKERS DETAIL	CP	
12/4/91		REVISE & ADD SIGN	CP	

Designed by: *A.K.* Date: **AUGUST, 1991**
 Drawn by: *A.K., S.L.* Proj. no.: **(BCA)1841.0104**
 Approved: _____ Date: _____
 _____ Date: _____



BCA BELT COLLINS & ASSOCIATES
 Engineering • Planning • Landscape Architecture
 880 Ala Moana Boulevard Suite 200 Honolulu, Hawaii 96813
 Phone: (808) 521-5351 Telex: BELTH 7430474 Fax: (808) 538-7818

Client:
HOUSING FINANCE AND DEVELOPMENT CORPORATION
 STATE OF HAWAII
 VILLAGES OF LA'I'OPUA
 MAUKA-MAKAI ROADWAY IMPROVEMENTS PHASE - 1

SIGN PANEL DETAILS
 Approved: _____ Date: _____
 _____ Date: _____

841.0104/D SIGN