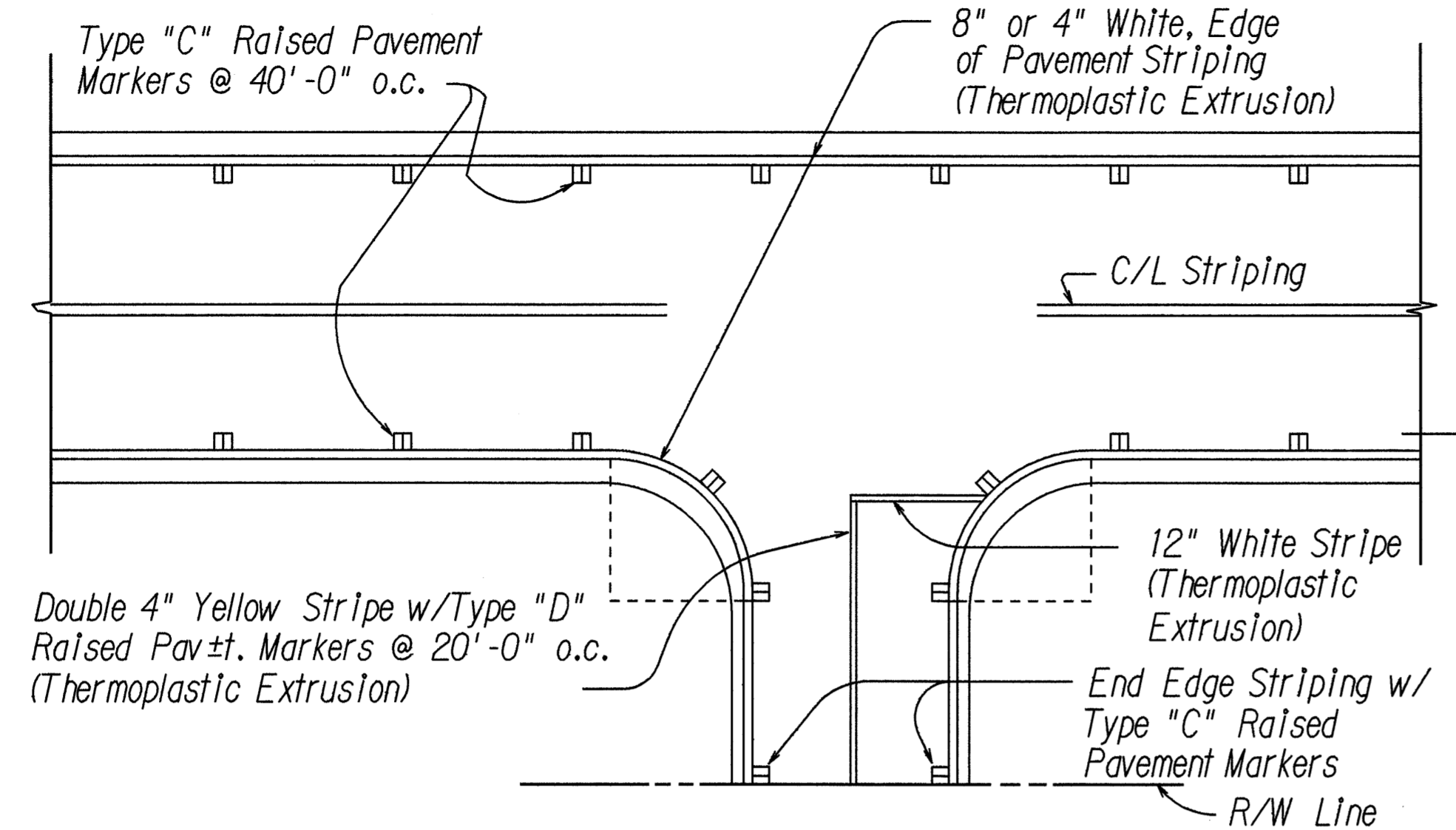
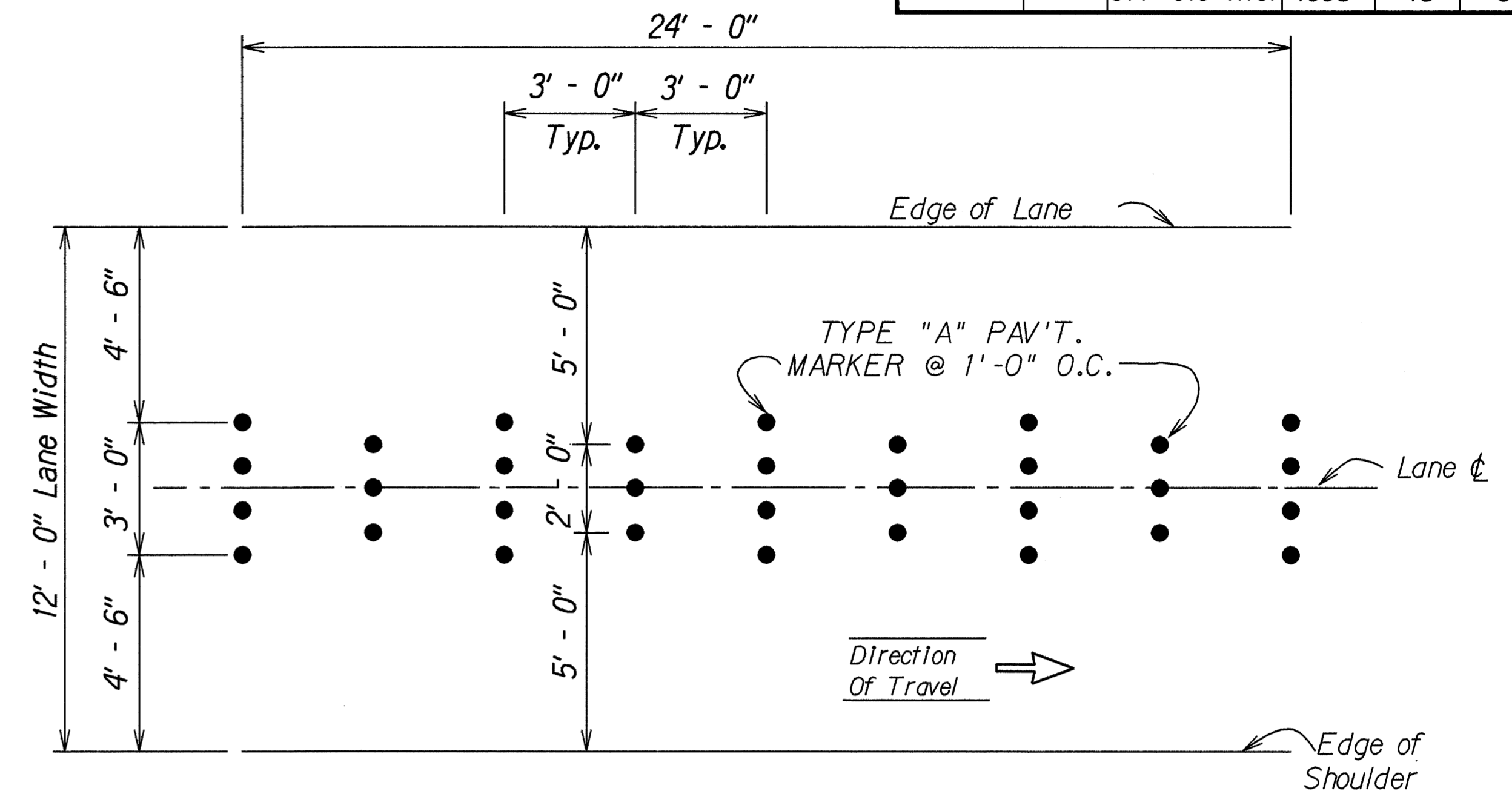


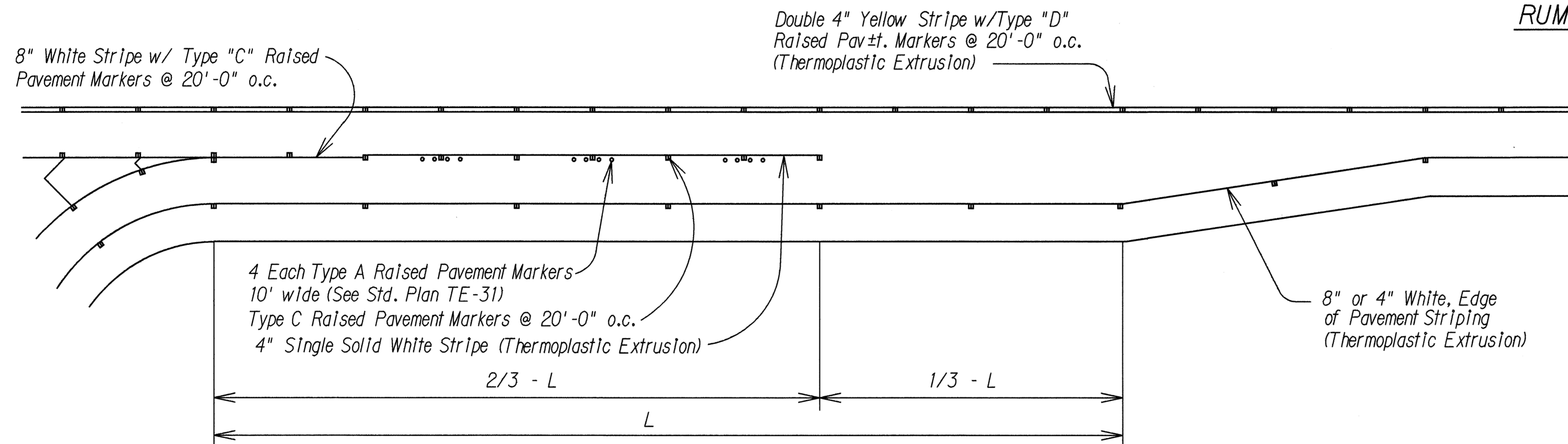
FED. ROAD DIST. NO.	STATE	FED. AID PROJ. NO.	FISCAL YEAR	SHEET NO.	TOTAL SHEETS
HAWAII	HAW.	STP-019-1(18)	1995	15	30



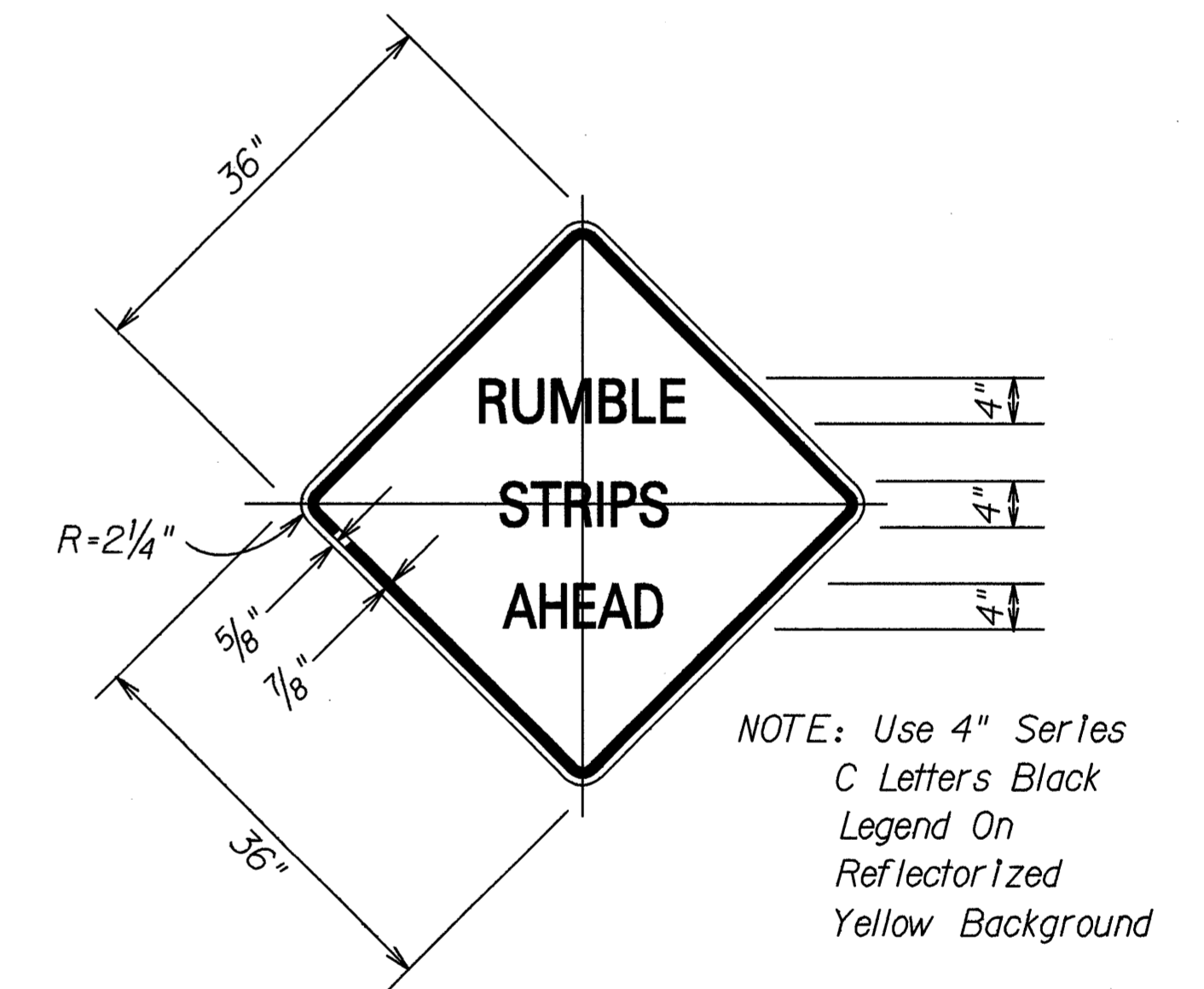
TYPICAL EDGE OF PAVEMENT MARKING
Not to Scale



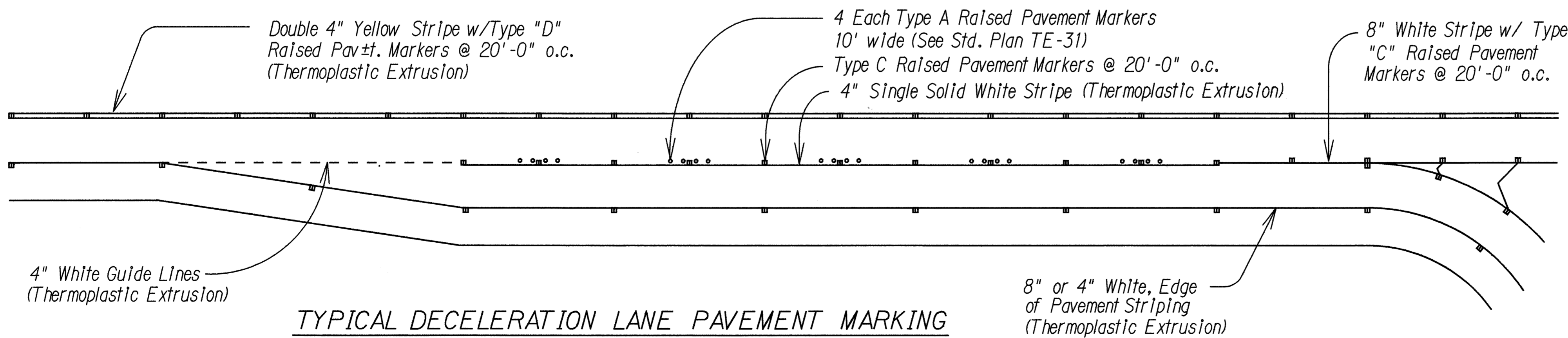
RUMBLE STRIPS - 12'-0" 2 LANE 2 WAY
Not To Scale



TYPICAL ACCELERATION LANE PAVEMENT MARKING
Not to Scale



RUMBLE STRIPS AHEAD SIGN



TYPICAL DECELERATION LANE PAVEMENT MARKING
Not to Scale

ORIGINAL PLAN	SURVEY PLATTED BY	DATE
	DRAWN BY	
	DESIGNED BY	
	CHECKED BY	
	NOTED BY	
	DATE	

STATE OF HAWAII
DEPARTMENT OF TRANSPORTATION
HIGHWAYS DIVISION

**PAVEMENT MARKING
DETAILS**

QUEEN KAAHUMANU HWY RESURFACING
HONOKOHAU TO KEAHOLE
F. A. PROJECT NO. STP-019-1(18)

Scale: As Shown Date: Feb., 1995

SHEET No. 1 OF 2 SHEETS