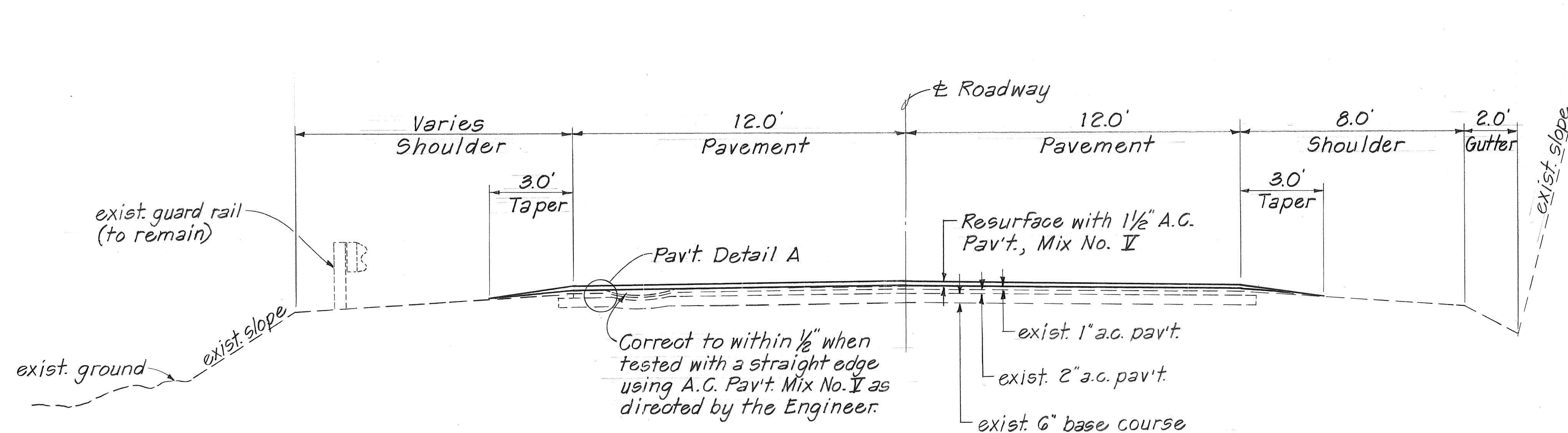
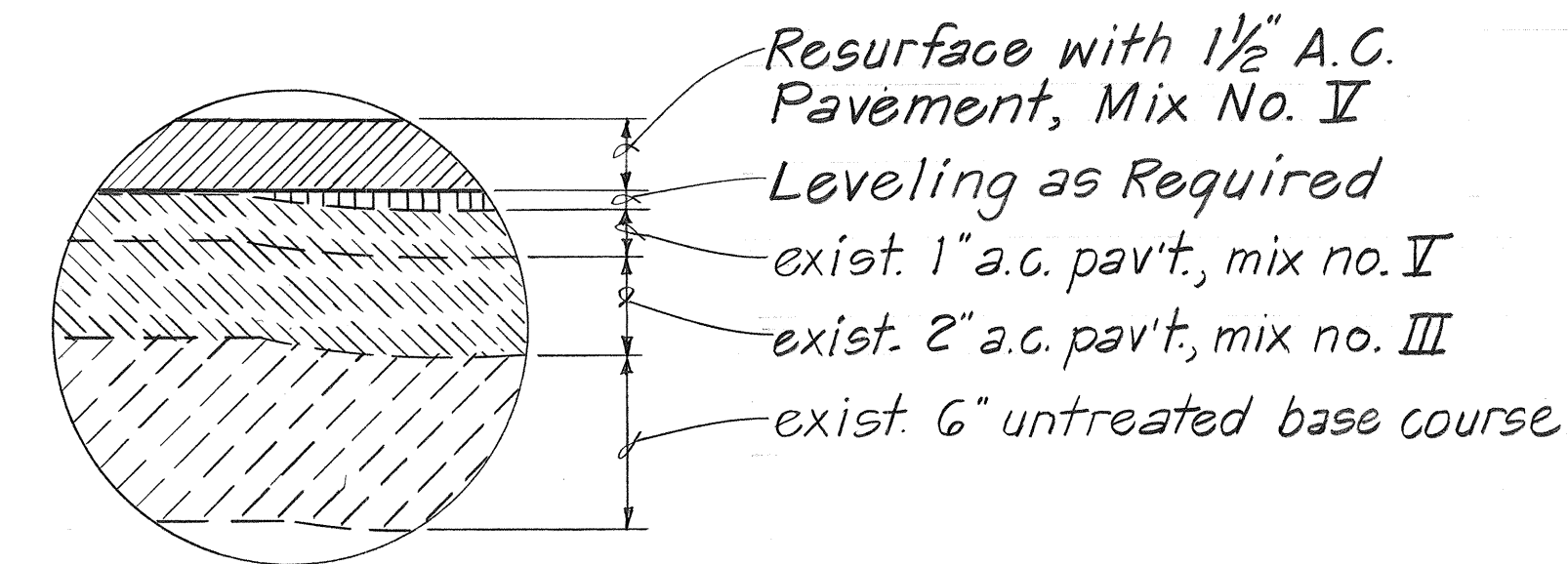


FED. ROAD DIST. NO.	STATE	PROJ. NO.	FISCAL YEAR	SHEET NO.	TOTAL SHEETS
HAWAII	HAW.	10G-02-88M	1988	3	13



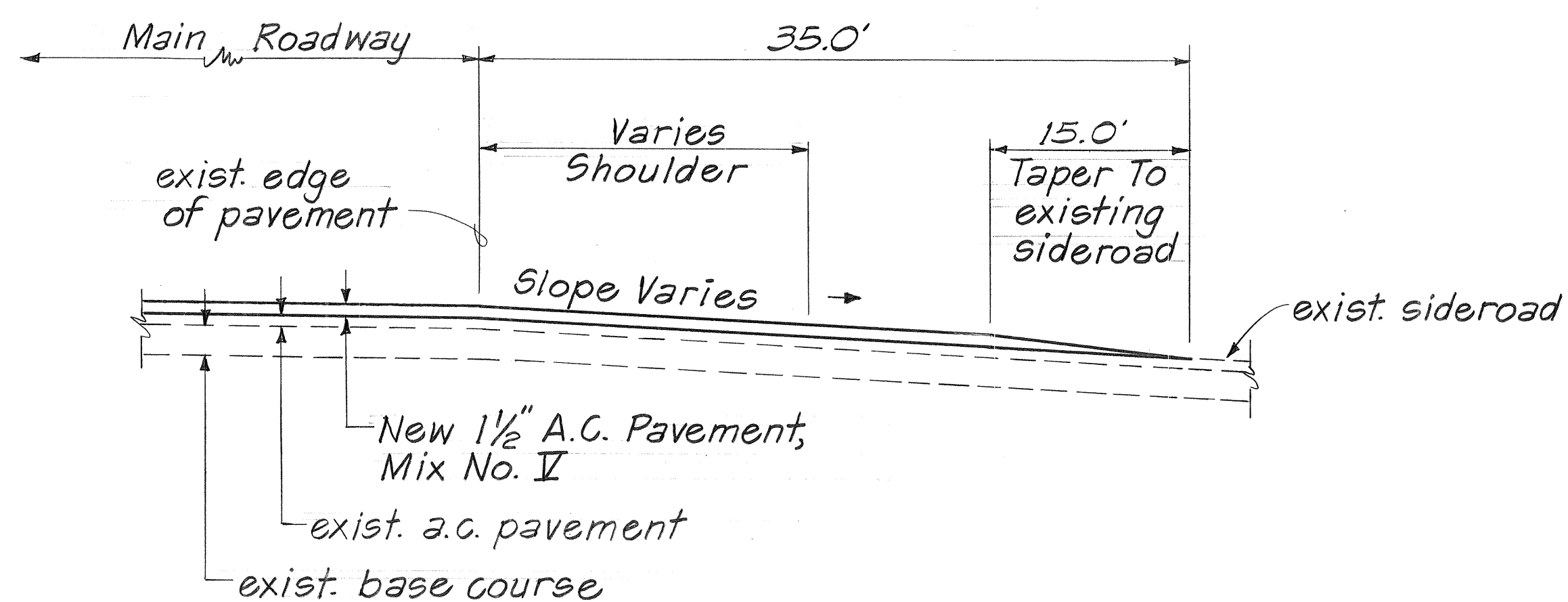
TYPICAL SECTION
Not To Scale



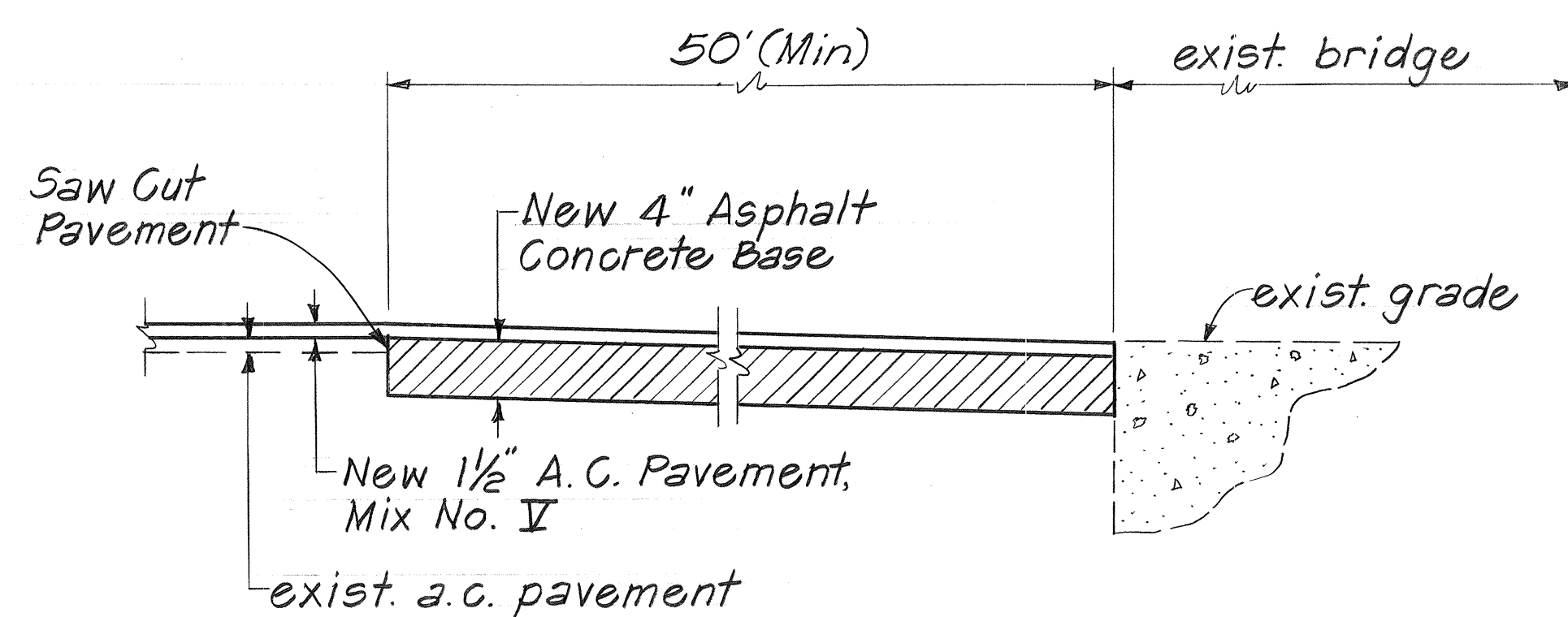
PAVEMENT DETAIL A
Not To Scale

GENERAL NOTES

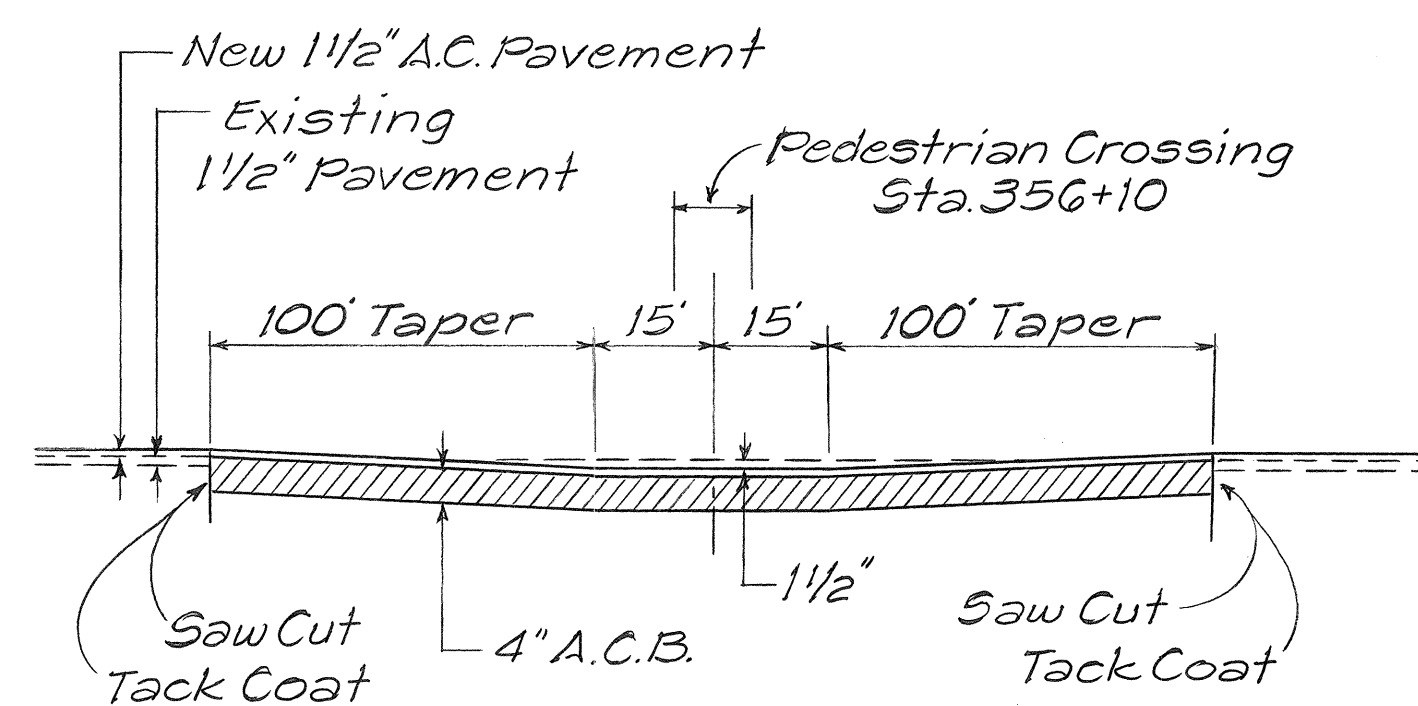
- Improvements consist of reconstructing weakened pavement areas, resurfacing the existing pavement, installing pavement markers and adjusting centerline monuments.
- Asphalt Concrete for leveling course shall be paid for under Item No. 401.0500 - 'Asphalt Concrete Pavement, Mix No. V'.
- Tack coat shall be incidental to Item No. 401.0500 - 'Asphalt Concrete Pavement, Mix No. V'.
- All construction signs shall be reflectorized with high intensity reflective sheeting.
- Pavement areas to be striped shall be broomed off by contractor prior to striping by the State.
- Construct smooth and easy riding connections to existing roadway at beginning and end of project.
- Existing pavement surface variable. Surface indicated here is not intended to represent any specific location.
- Exact limits and locations of pavement reconstruction areas shall be determined by the Engineer in the Field.
- Preparation of Shoulder Areas for paving shall be done by the State.
- Existing tractor crossings to be paved over during resurfacing.
- The Contractor shall install the following Construction Signs at the Beginning and End of Project as directed by the Engineer:
 - "ROAD CONSTRUCTION NEXT 5 MILES"-CG 20-1(5)
 - "END CONSTRUCTION"-CG 20-2
 The Contractor is to retain all Construction Signs at the completion of project.



TYPICAL SECTION AT SIDEROAD CONNECTION
Not To Scale



TYPICAL DETAIL AT RECONSTRUCTED BRIDGE APPROACHES*
Not To Scale



ROAD RECONSTRUCTION DETAIL AT PEDESTRIAN CROSSING
Not To Scale

*Taper 50' minimum at all other Bridge Approaches.

SURVEY PLOTTED BY	DATE
DRAWN BY	
TRACED BY	
DESIGNED BY	
CHECKED BY	
ORIGINAL PLAN	
NOTE BOOK	
No.	

STATE OF HAWAII
DEPARTMENT OF TRANSPORTATION
HIGHWAYS DIVISION

TYPICAL SECTIONS & BRIDGE APPROACH DETAILS
HAWAII BELT ROAD RESURFACING
KAHAWAILIILII TO PAAUILO
PROJECT NO. 10G-02-88M
Scale: As Noted Date: Oct., 1987
SHEET No. 1 OF 1 SHEETS