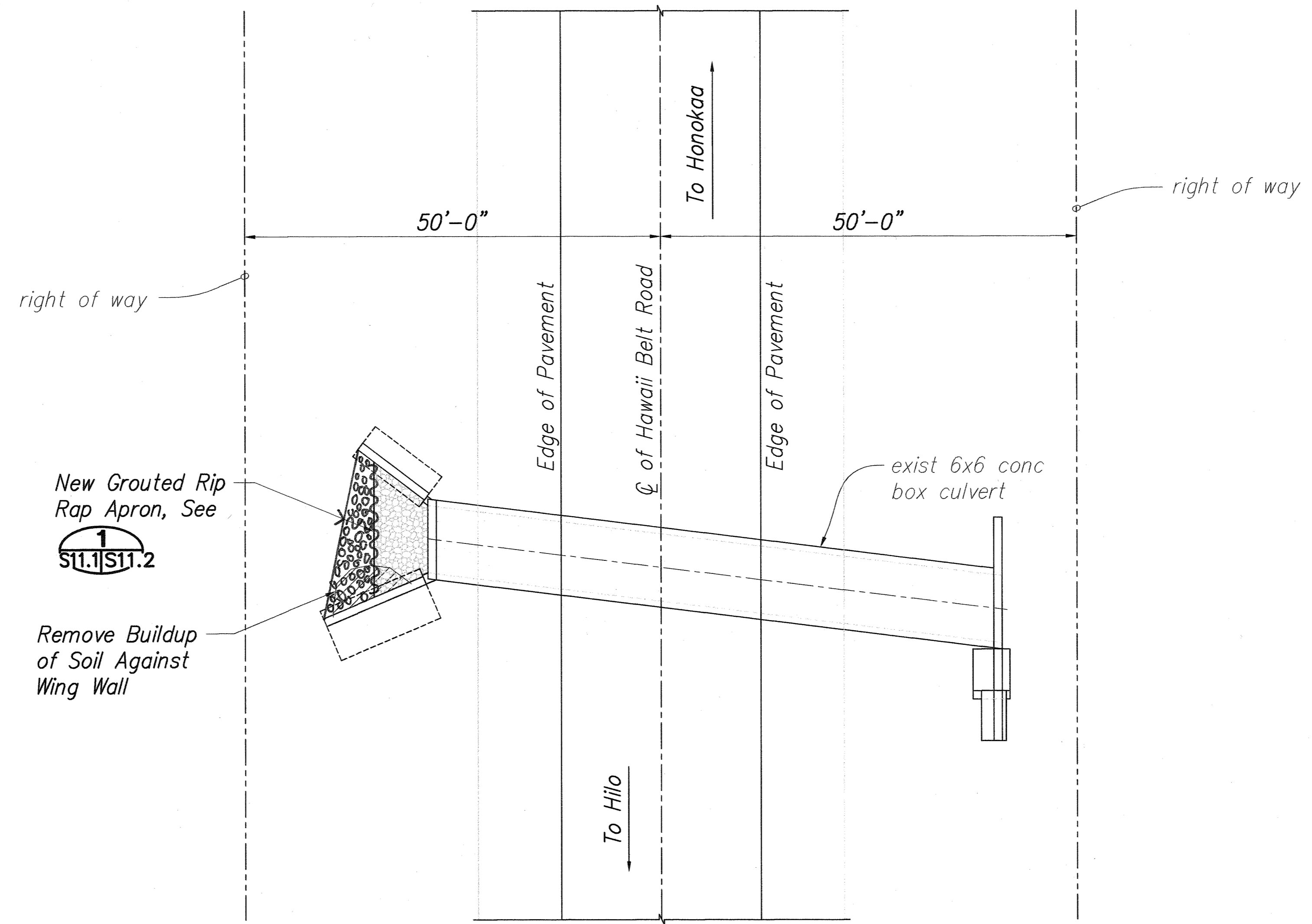
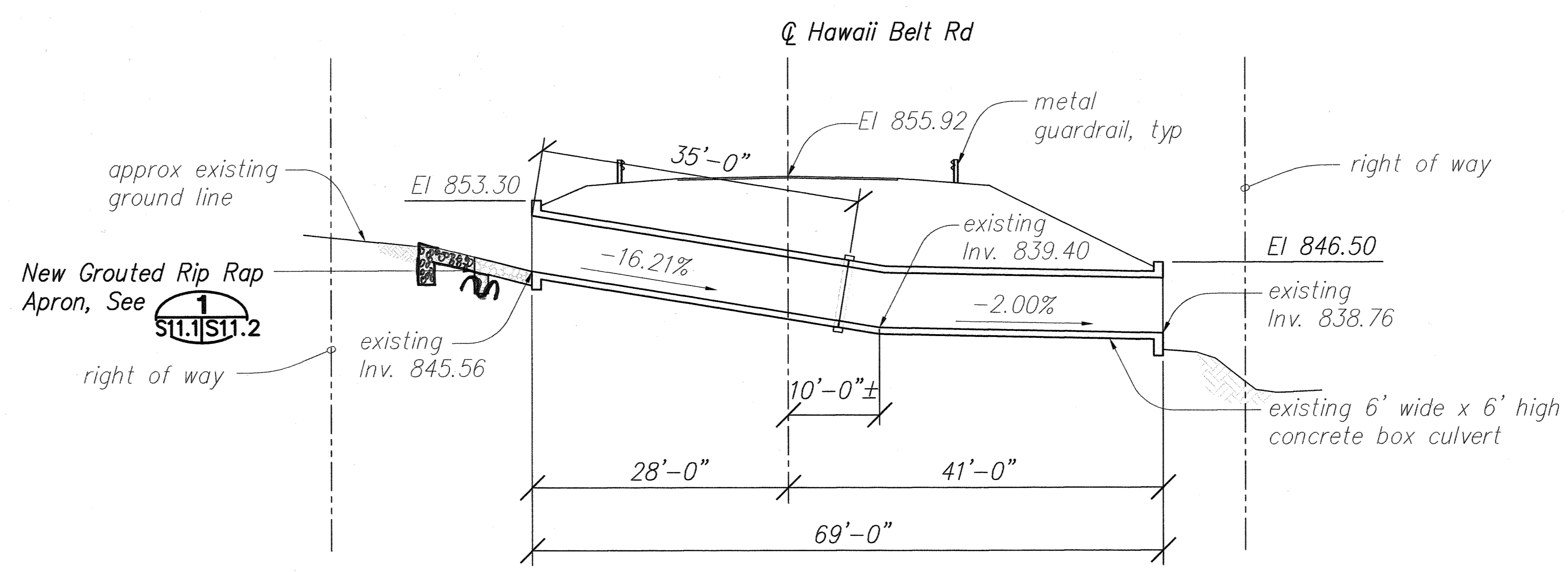


FED. ROAD DIST. NO.	STATE	PROJ. NO.	FISCAL YEAR	SHEET NO.	TOTAL SHEETS
HAWAII	HAW.	19FGH-01-07M	2008	50	51



LAYOUT PLAN

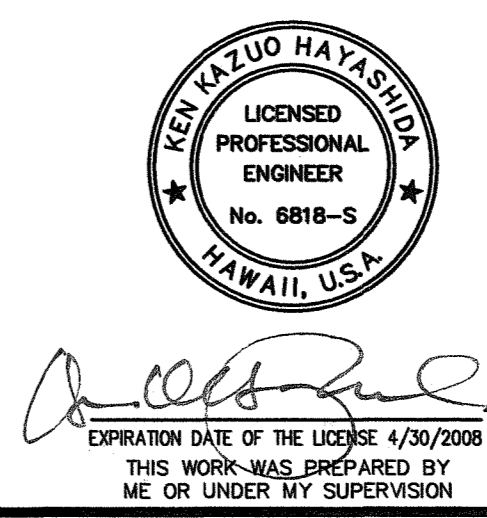
Scale: 1" = 10'-0"



SECTION ALONG CULVERT

Scale: 1" = 10'-0"

DATE	_____
SURVEY PLOTTED BY	_____
DESIGNED BY	_____
QUANTITIES BY	_____
CHECKED BY	_____
ORIGINAL PLAN	_____
NOTE BOOK	_____
No.	_____



STATE OF HAWAII
DEPARTMENT OF TRANSPORTATION
HIGHWAYS DIVISION

**M.P. 40.33 CULVERT
PLAN AND PROFILE**

HAWAII BELT ROAD DRAINAGE
IMPROVEMENTS

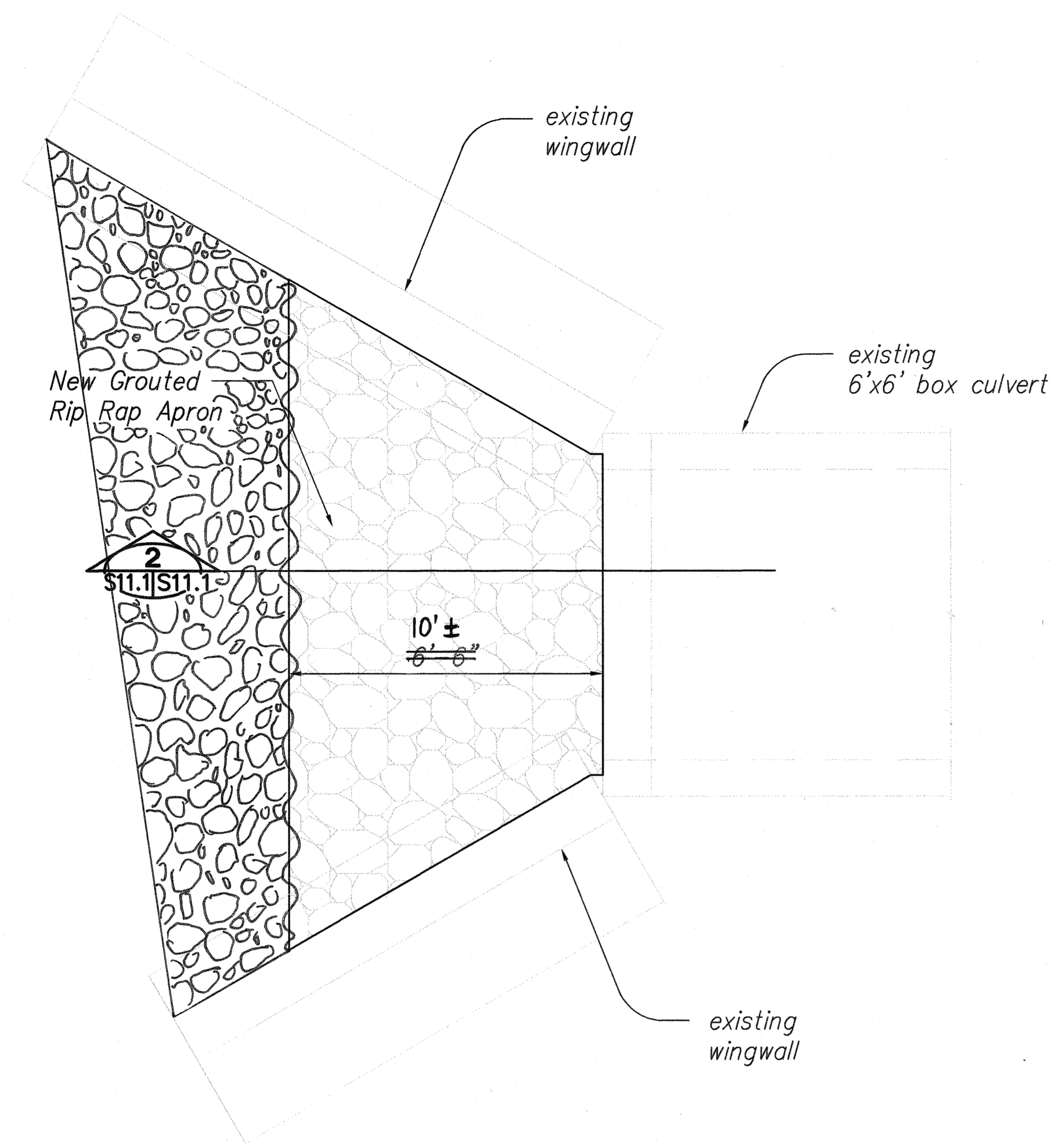
Project No. 19FGH-01-07M

Scale: AS NOTED Date: APRIL 2007

SHEET No. S11.1 OF 51 SHEETS

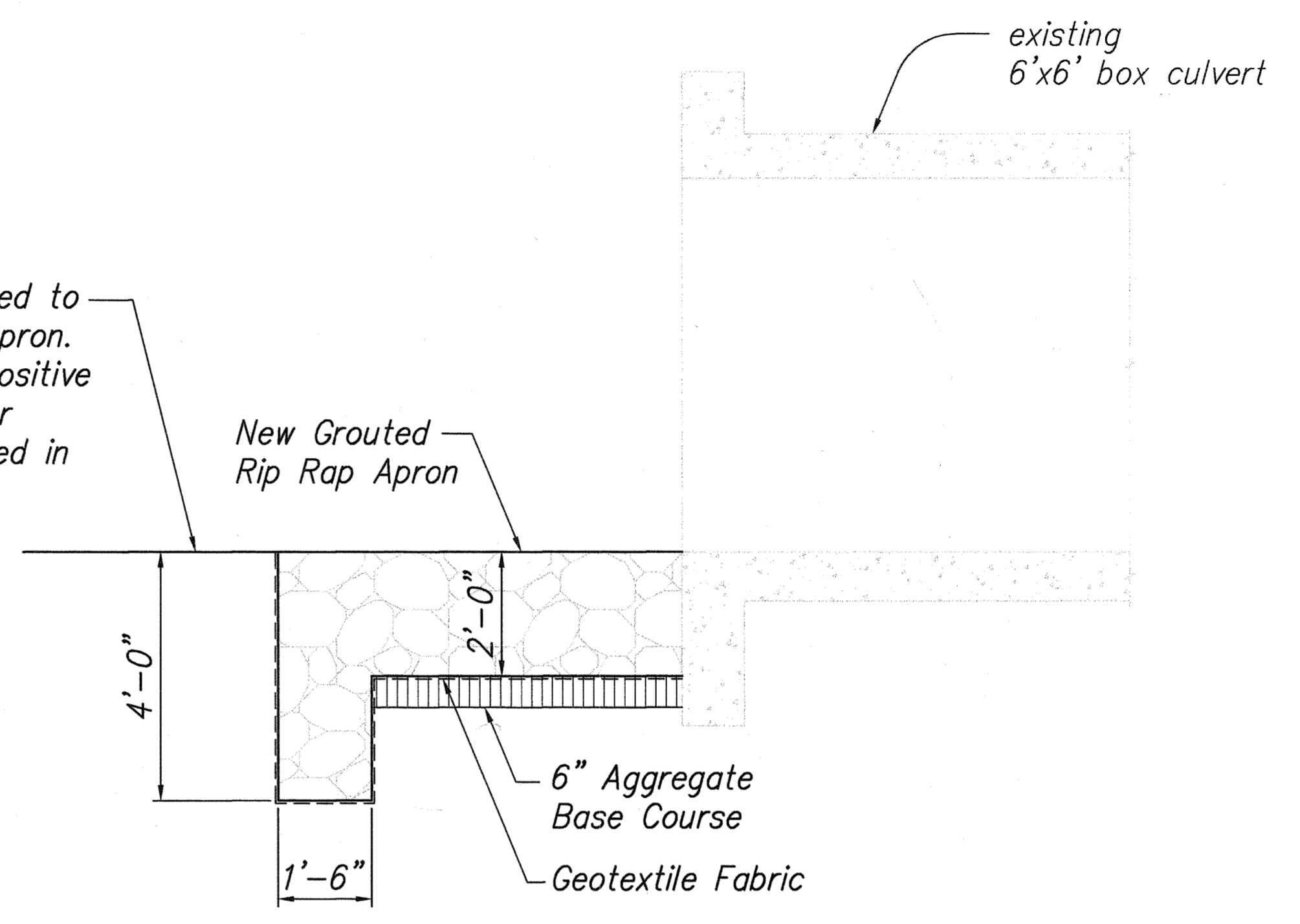
"AS-BUILT"

FED. ROAD DIST. NO.	STATE	PROJ. NO.	FISCAL YEAR	SHEET NO.	TOTAL SHEETS
HAWAII	HAW.	19FGH-01-07M	2008	51	51



CULVERT INLET PLAN VIEW 1
 Scale: 1/2" = 1'-0" S11.1|S11.2

Grade existing streambed to match invert of New Apron. Grading shall provide Positive Drainage. The Cost for Grading shall be included in Cost for Apron.



SECTION 2
 Scale: 1/2" = 1'-0" S11.2|S11.2

ORIGINAL PLAN	DATE
DESIGNED BY	
TRACED BY	
NOTED BY	
CHECKED BY	
NO.	

KEN KAZUO HAYASHIDA
 LICENSED PROFESSIONAL ENGINEER
 No. 6818-S
 HAWAII, U.S.A.
 THIS WORK WAS PREPARED BY ME OR UNDER MY SUPERVISION

STATE OF HAWAII
 DEPARTMENT OF TRANSPORTATION
 HIGHWAYS DIVISION
M.P. 40.33 CULVERT INLET PLAN AND SECTION
 HAWAII BELT ROAD DRAINAGE IMPROVEMENTS
 Project No. 19FGH-01-07M
 Scale: AS NOTED Date: APRIL 2007
 SHEET No. S11.2 OF 51 SHEETS

"AS-BUILT"