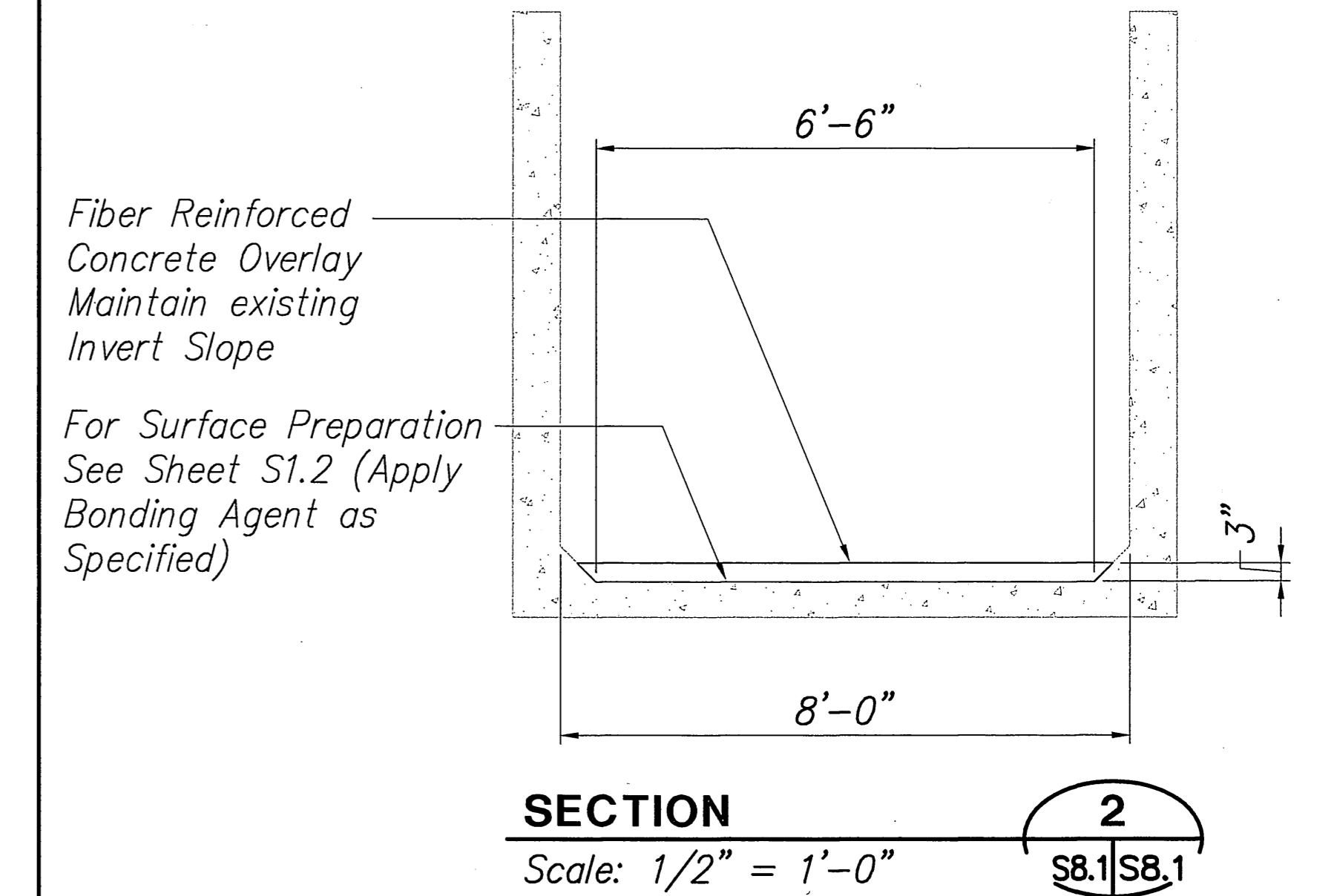
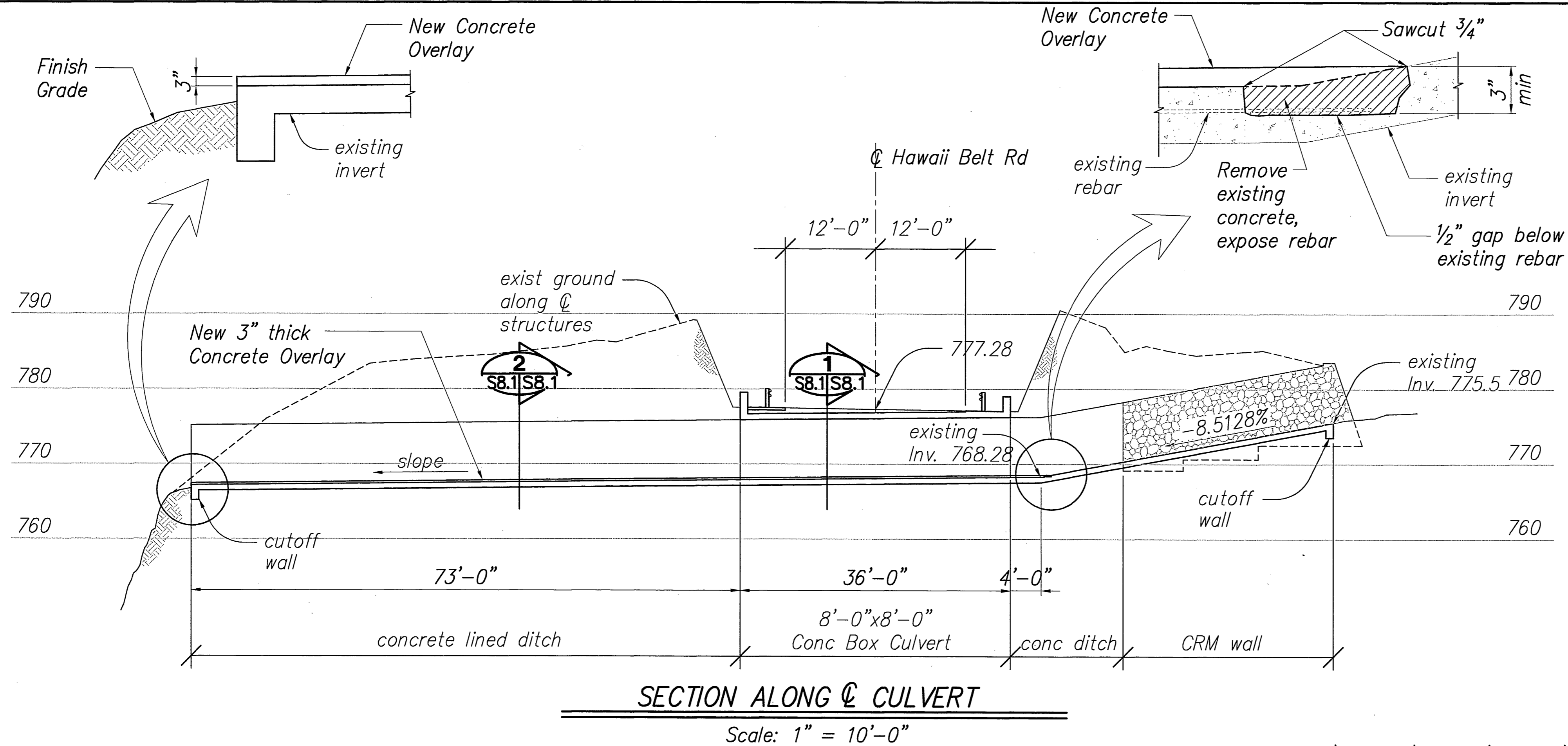
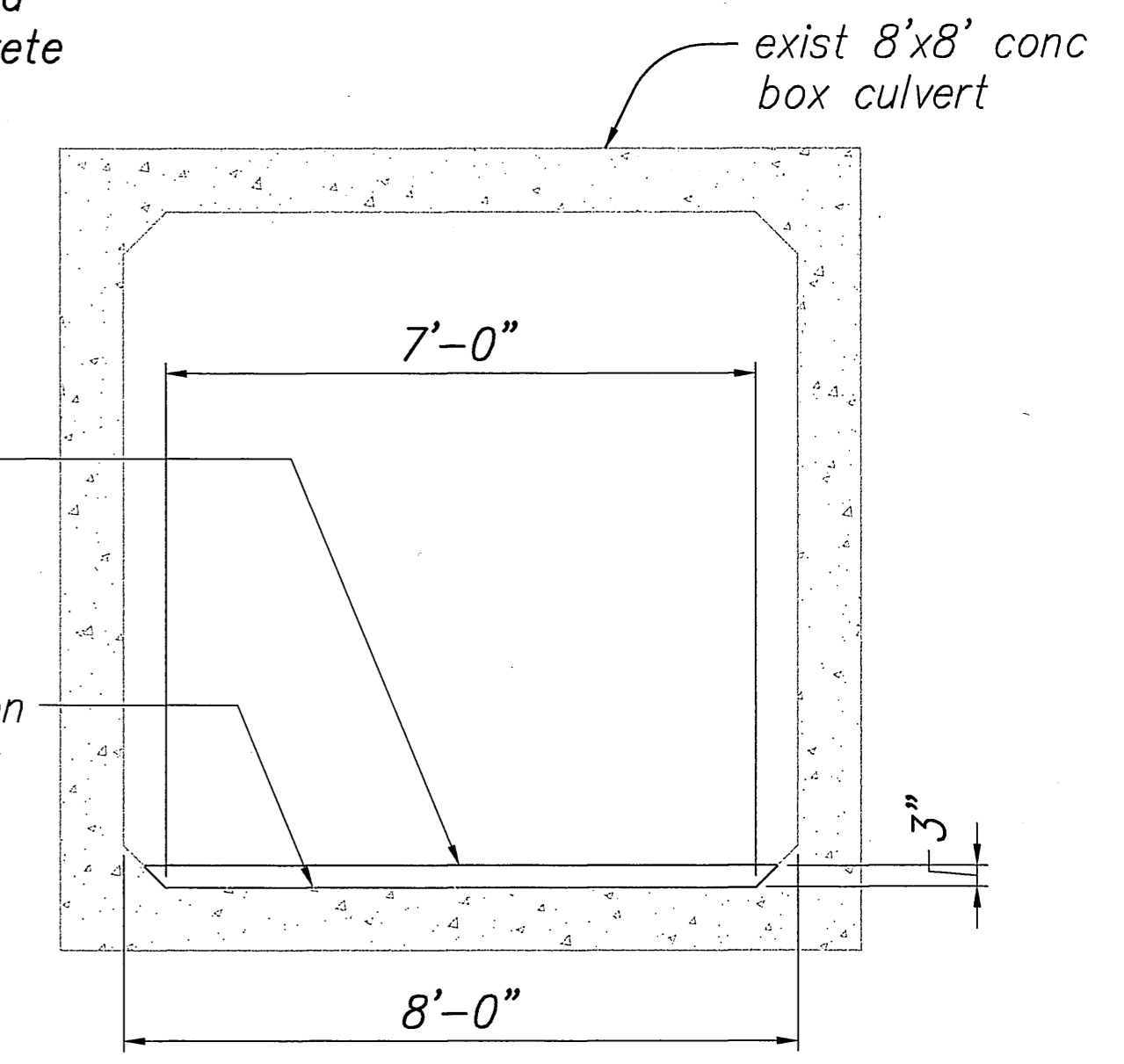
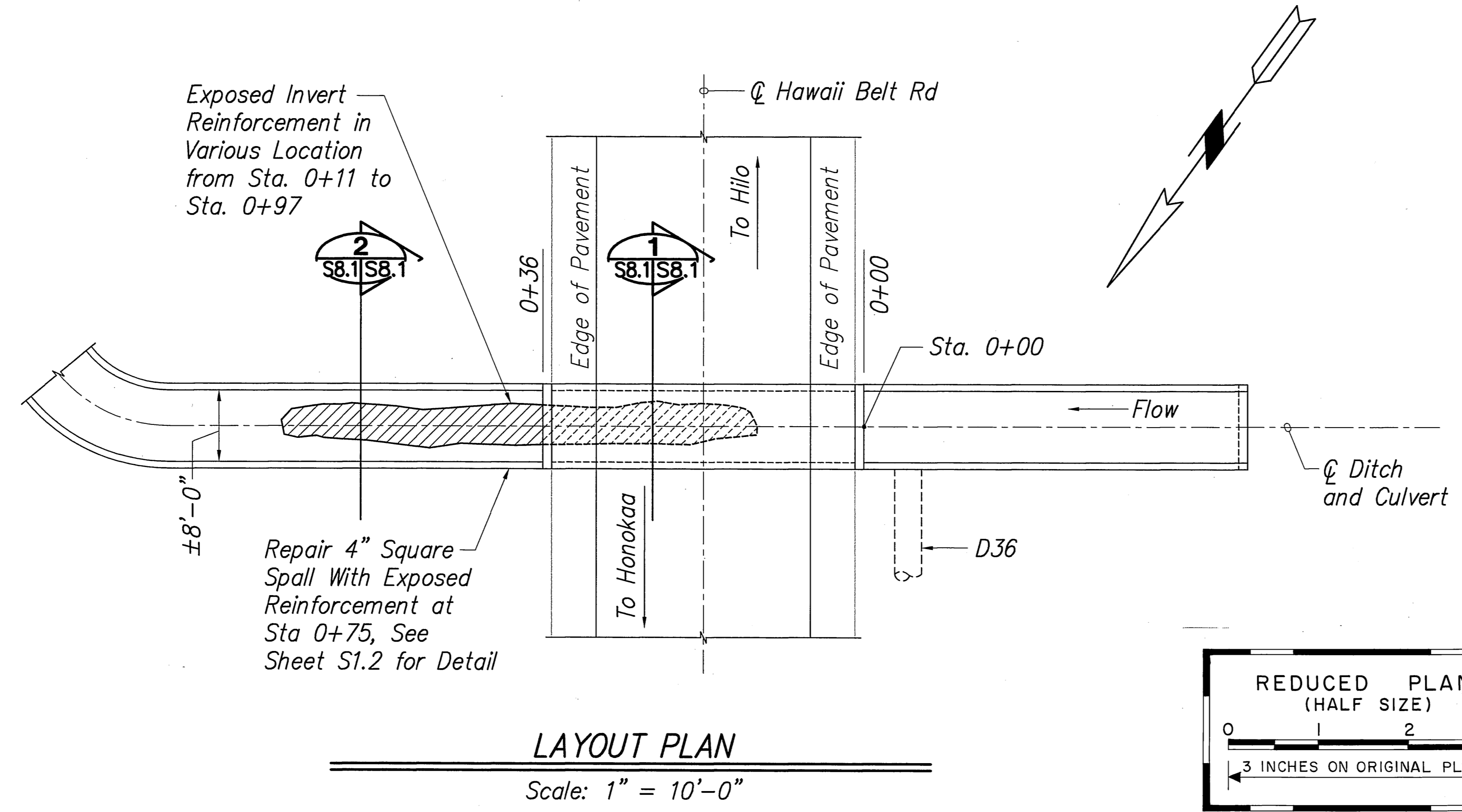
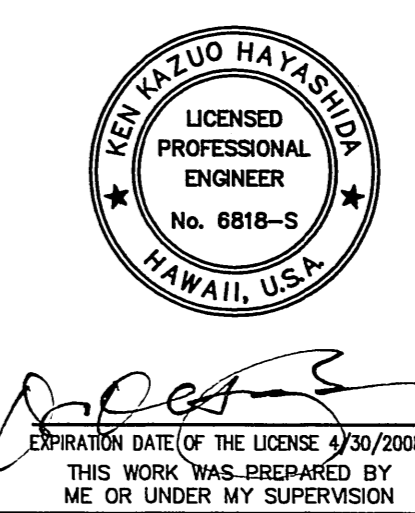


FED. ROAD DIST. NO.	STATE	PROJ. NO.	FISCAL YEAR	SHEET NO.	TOTAL SHEETS
HAWAII	HAW.	19FGH-01-07M	2008	46	51

Note:
1. Fibers Shall be Synthetic Fibers and be Added to Concrete According to Manufacturer's Recommendations



SURVEY PLOTTED BY	DATE
DESIGNED BY	
TRACED BY	
QUANTITIES BY	
CHECKED BY	
ORIGINAL PLAN	
NOTE BOOK	
No.	



STATE OF HAWAII
DEPARTMENT OF TRANSPORTATION
HIGHWAYS DIVISION

**M.P. 33.76 CULVERT
PLAN AND PROFILE**

HAWAII BELT ROAD DRAINAGE
IMPROVEMENTS
Project No. 19FGH-01-07M

Scale: AS NOTED Date: APRIL 2007

SHEET No. S8.1 OF 51 SHEETS