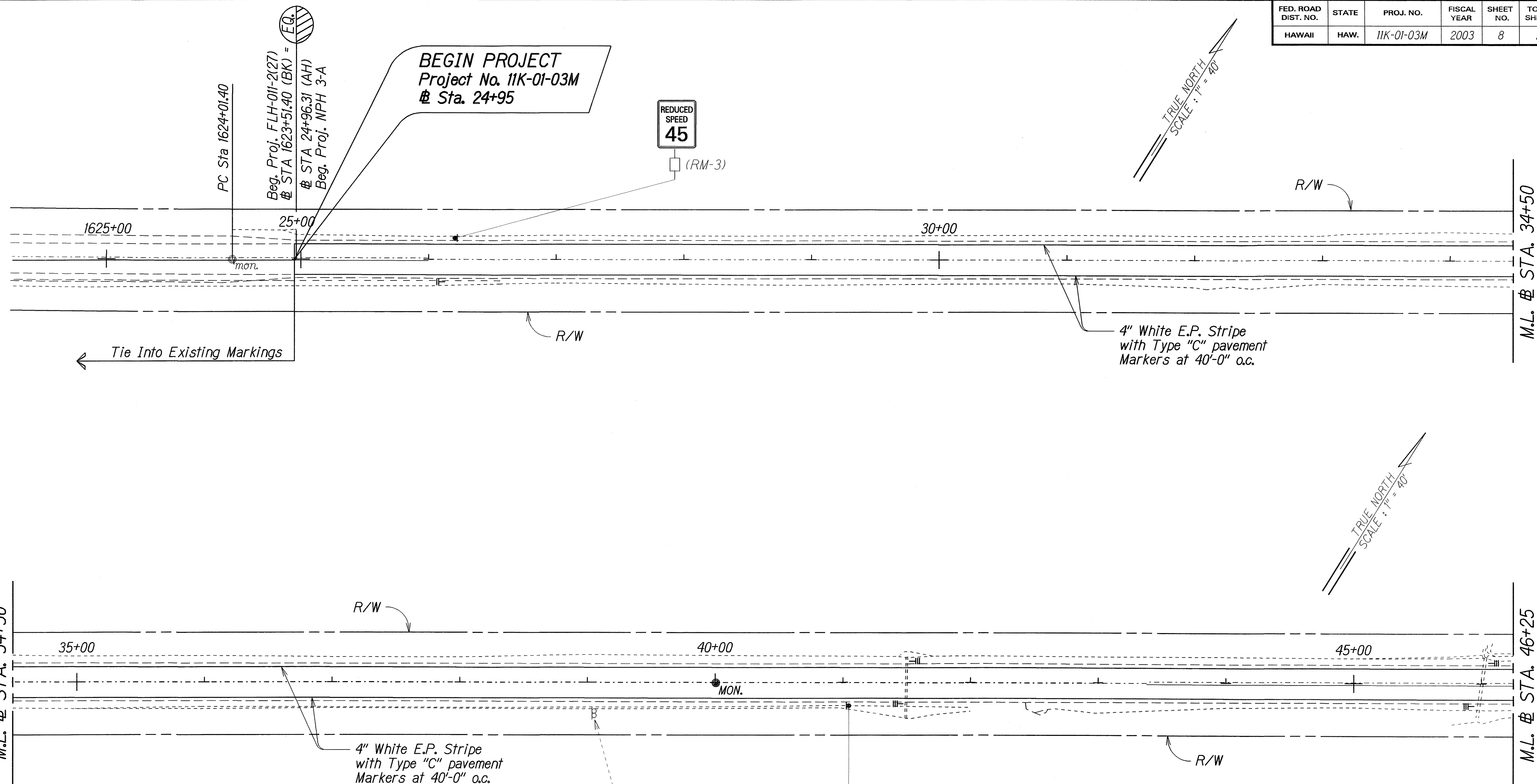


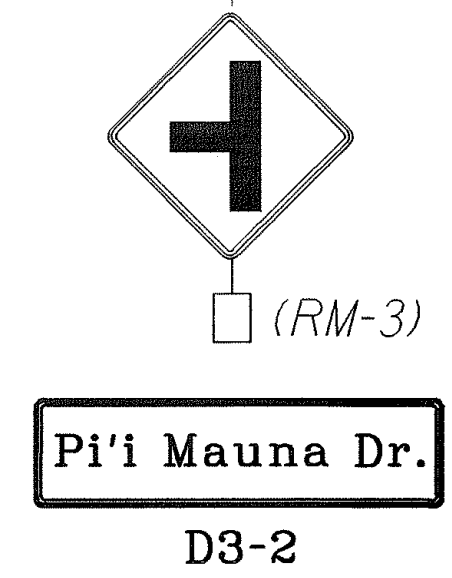
FED. ROAD DIST. NO.	STATE	PROJ. NO.	FISCAL YEAR	SHEET NO.	TOTAL SHEETS
HAWAII	HAW.	11K-01-03M	2003	8	20



SURVEY PLOTTED BY	DATE
DRAWN BY	
TRACED BY	
QUANTITIES BY	
CHECKED BY	

**NOTE:**  
 1. Shoulder Improvements Will Be Addressed By A Separate Project:  
 "HAWAII STATE ROUTE 11, VOLCANO HIGHWAY SHOULDER WIDENING",  
 "PROJECT NO. HI PLH 11-1(1)", M.P. 27.4 TO 35.5

SERVICES  
 NEXT LEFT  
 Exist. Sign to Remain



**LEGEND FOR AS-BUILT POSTINGS**

	Squiggly line for as-built deletion
	Double line for as-built deletion
Roadway	Text for as-built posting

STATE OF HAWAII  
 DEPARTMENT OF TRANSPORTATION  
 HIGHWAYS DIVISION

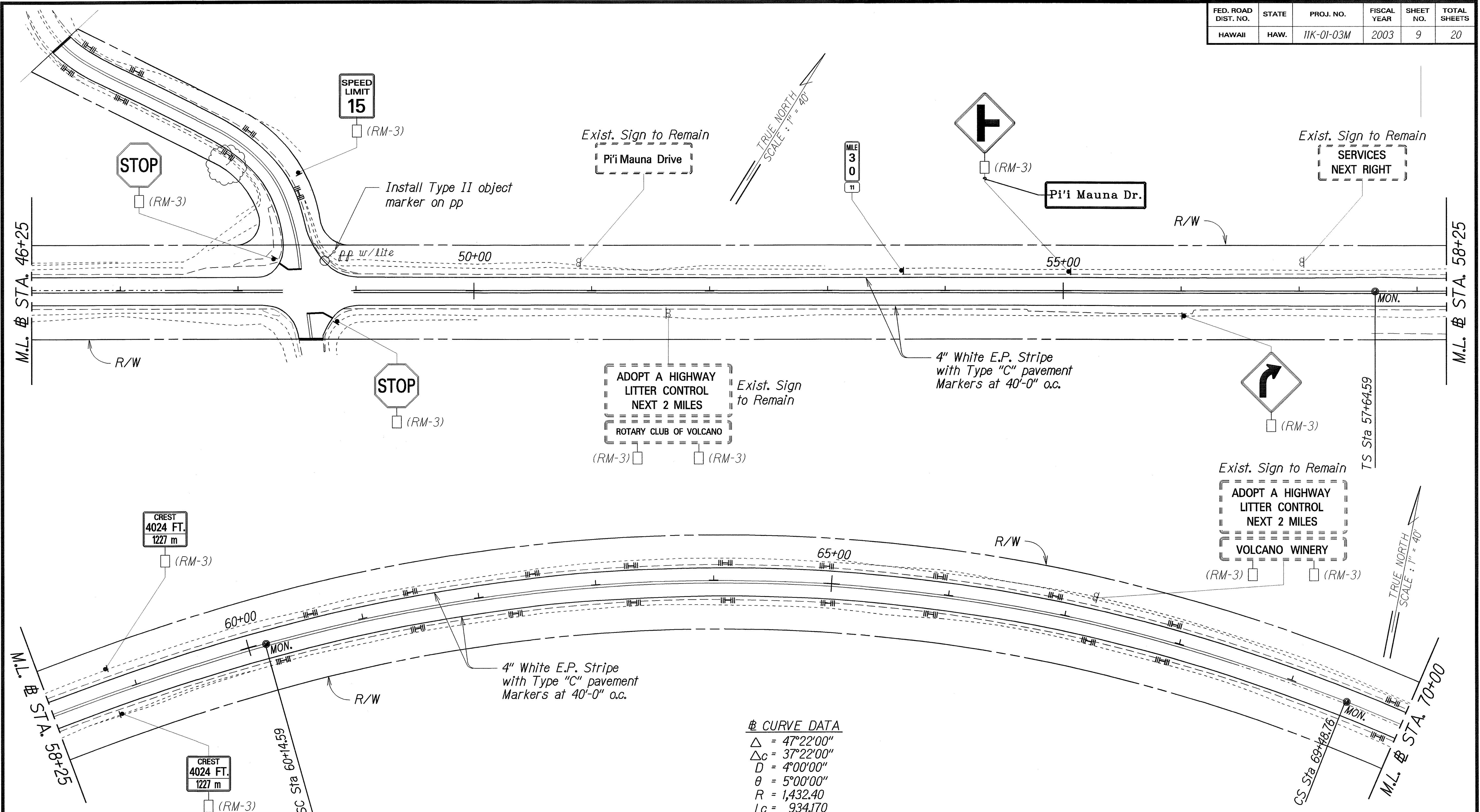
**ROADWAY PLAN**

MAMALAHOA HIGHWAY RESURFACING, VICINITY  
 OF HAWAII VOLCANOES NATIONAL PARK  
 PROJECT NO. 11K-01-03M

Scale: 1"=40' Date: April, 2003

SHEET No. 1 OF 5 SHEETS

FED. ROAD DIST. NO.	STATE	PROJ. NO.	FISCAL YEAR	SHEET NO.	TOTAL SHEETS
HAWAII	HAW.	11K-01-03M	2003	9	20



**⊕ CURVE DATA**

$\Delta$	= 47°22'00"
$\Delta c$	= 37°22'00"
D	= 4°00'00"
$\theta$	= 5°00'00"
R	= 1,432.40
Lc	= 934.170
Ls	= 250.00
Ts	= 754.05
S. E.	= 0.09 ft/ft

**NOTE:**

- Shoulder Improvements Will Be Addressed By A Separate Project:  
 "HAWAII STATE ROUTE 11, VOLCANO HIGHWAY SHOULDER WIDENING",  
 "PROJECT NO. HI PLH 11-1(1)", M.P. 27.4 TO 35.5

**LEGEND FOR AS-BUILT POSTINGS**

	Squiggly line for as-built deletion
	Double line for as-built deletion
Roadway	Text for as-built posting

STATE OF HAWAII  
 DEPARTMENT OF TRANSPORTATION  
 HIGHWAYS DIVISION

**ROADWAY PLAN**

MAMALAHOA HIGHWAY RESURFACING, VICINITY  
 OF HAWAII VOLCANOES NATIONAL PARK  
 PROJECT NO. 11K-01-03M

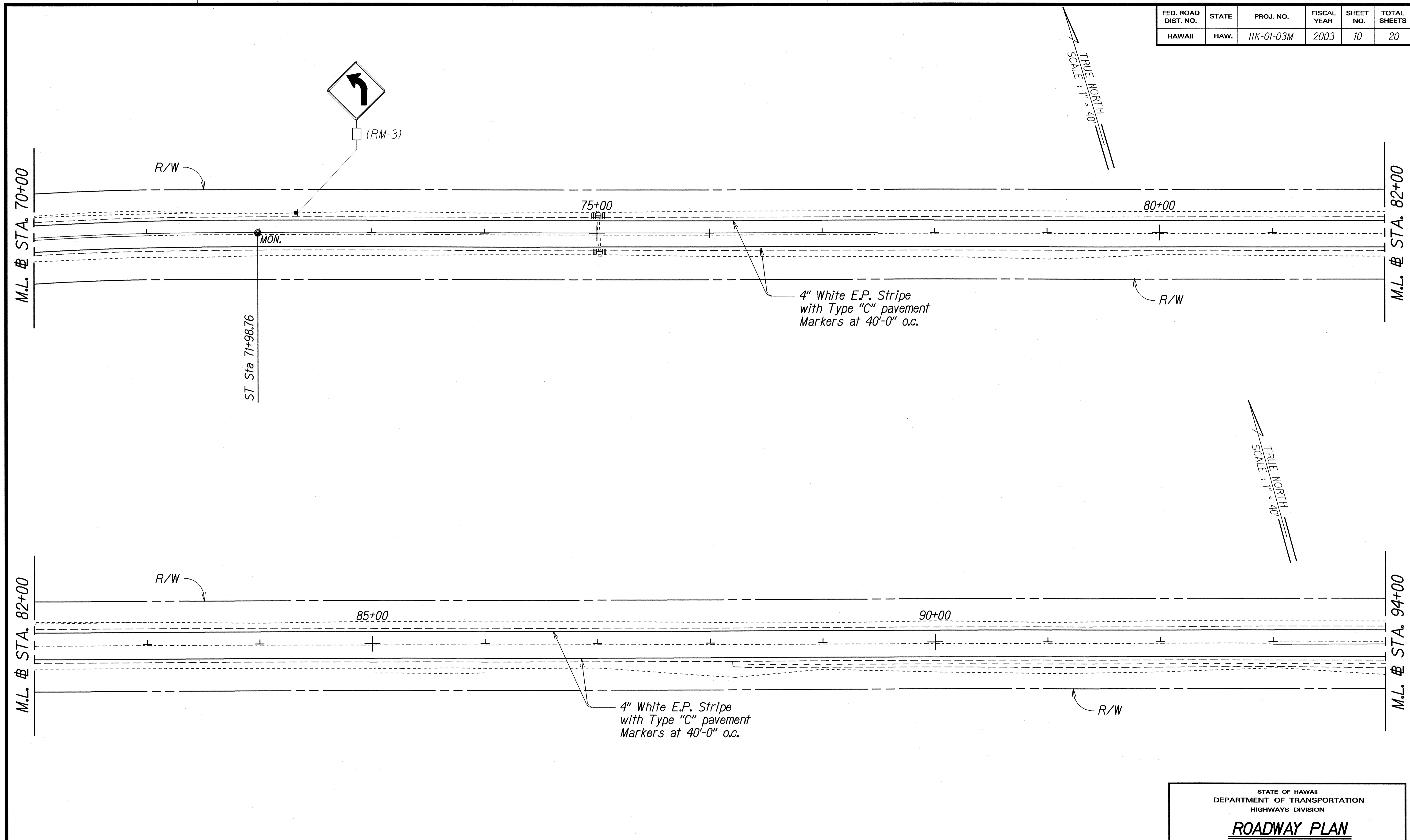
Scale: 1"=40'      Date: April, 2003

SHEET No. 2 OF 5 SHEETS

ORIGINAL PLAN	DATE
SURVEY PLOTTED BY	
DRAWN BY	
DESIGNED BY	
QUANTITIES BY	
CHECKED BY	

"AS-BUILT"

FED. ROAD DIST. NO.	STATE	PROJ. NO.	FISCAL YEAR	SHEET NO.	TOTAL SHEETS
HAWAII	HAW.	11K-01-03M	2003	10	20



ORIGINAL PLAN	SURVEY PLOTTED BY	DATE
TRACED BY	DRAWN BY	
NOTED BY	CHECKED BY	
6/10/03		

**NOTE:**

- Shoulder Improvements Will Be Addressed By A Separate Project:  
 "HAWAII STATE ROUTE 11, VOLCANO HIGHWAY SHOULDER WIDENING",  
 "PROJECT NO. HI PLH 11-1(1)", M.P. 27.4 TO 35.5

STATE OF HAWAII  
 DEPARTMENT OF TRANSPORTATION  
 HIGHWAYS DIVISION

**ROADWAY PLAN**

**MAMALAOA HIGHWAY RESURFACING, VICINITY  
 OF HAWAII VOLCANOES NATIONAL PARK**

**PROJECT NO. 11K-01-03M**

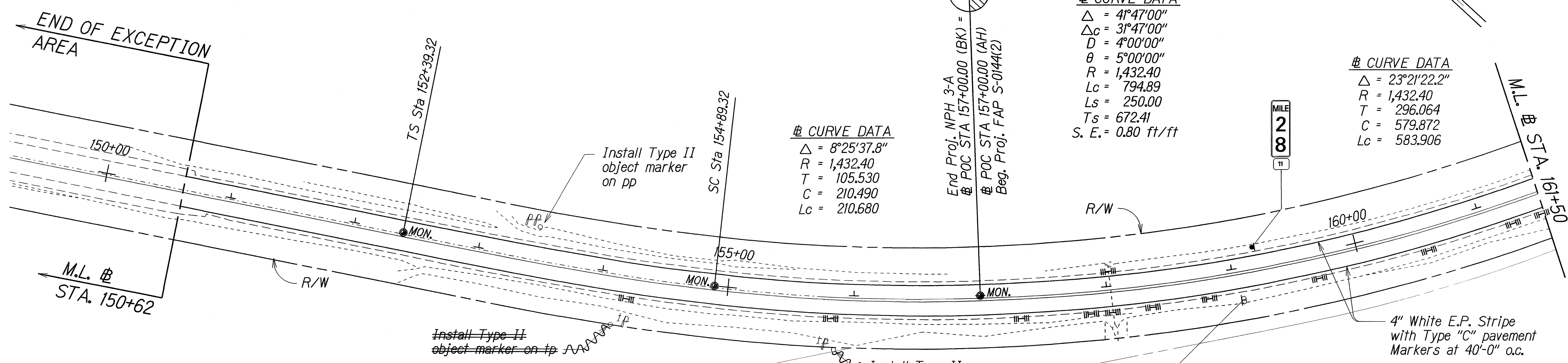
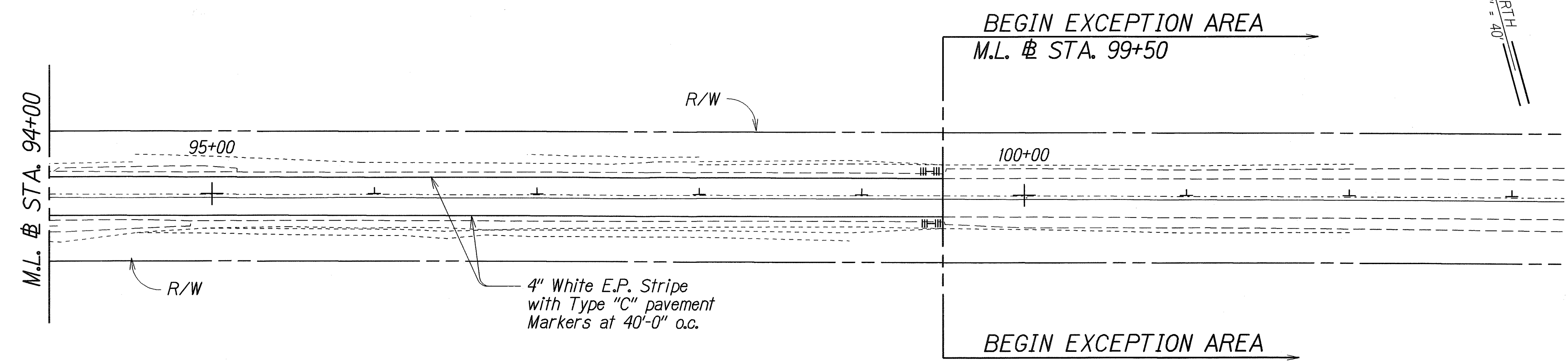
Scale: 1"=40'      Date: April, 2003



FED. ROAD DIST. NO.	STATE	PROJ. NO.	FISCAL YEAR	SHEET NO.	TOTAL SHEETS
HAWAII	HAW.	11K-01-03M	2003	11	20

TRUE NORTH  
SCALE: 1" = 40'

LEGEND FOR AS-BUILT POSTINGS	
	Squiggly line for as-built deletion
	Double line for as-built deletion
Roadway	Text for as-built posting



# CURVE DATA

$\Delta$	= 41°47'00"
$\Delta_c$	= 31°47'00"
D	= 4°00'00"
$\theta$	= 5°00'00"
R	= 1,432.40
Lc	= 794.89
Ts	= 672.41
S. E.	= 0.80 ft/ft

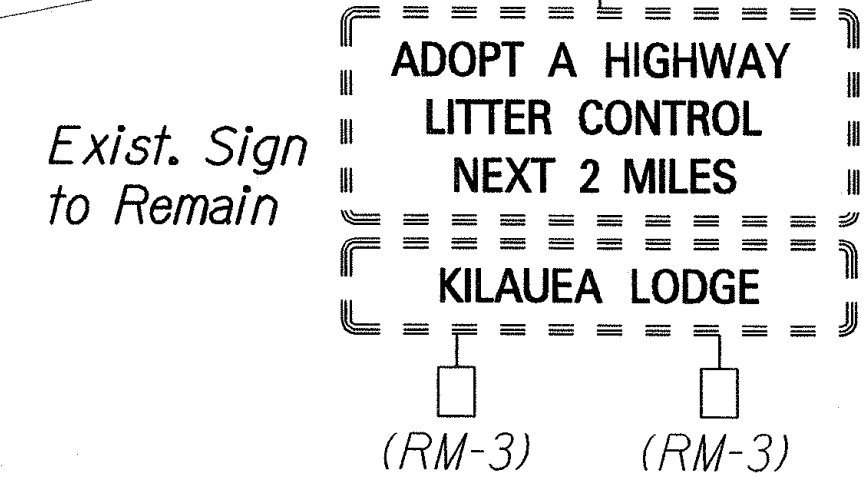
# CURVE DATA

$\Delta$	= 23°21'22.2"
R	= 1,432.40
T	= 296.064
C	= 579.872
Lc	= 583.906

# CURVE DATA

$\Delta$	= 8°25'37.8"
R	= 1,432.40
T	= 105.530
C	= 210.490
Lc	= 210.680

End Proj. NPH 3-A  
# POC STA 157+00.00 (BK) = EG.  
# POC STA 157+00.00 (AH)  
Beg. Proj. FAP S-0144(2)



NOTE:  
1. Shoulder Improvements Will Be Addressed By A Separate Project:  
"HAWAII STATE ROUTE 11, VOLCANO HIGHWAY SHOULDER WIDENING",  
"PROJECT NO. HI PLH 11-1(1)", M.P. 27.4 TO 35.5

STATE OF HAWAII  
DEPARTMENT OF TRANSPORTATION  
HIGHWAYS DIVISION

**ROADWAY PLAN**

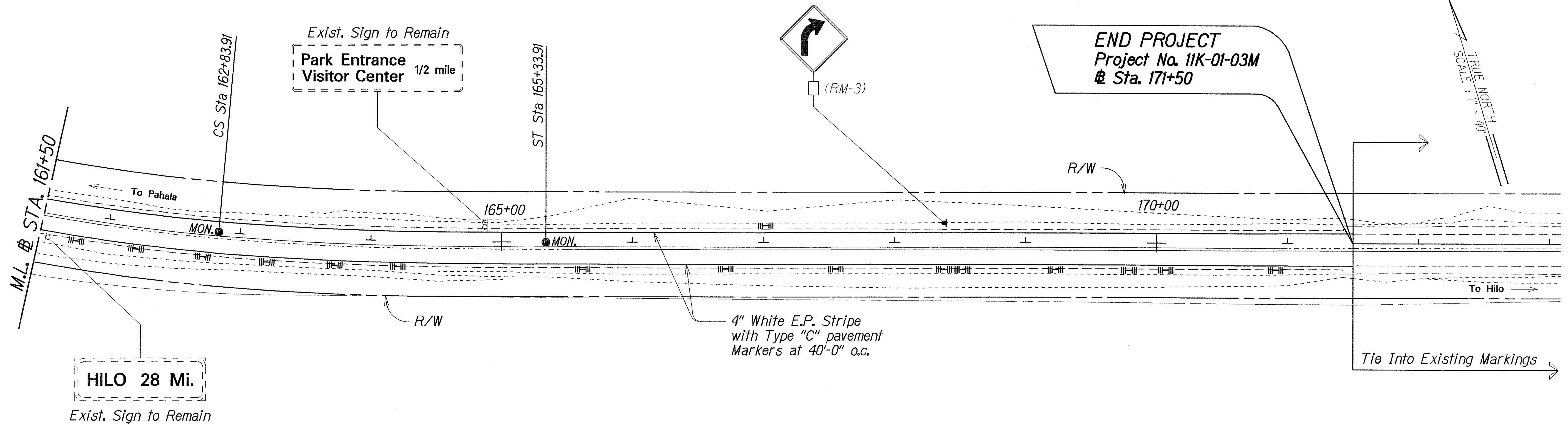
MAMALAHOA HIGHWAY RESURFACING, VICINITY  
OF HAWAII VOLCANOES NATIONAL PARK  
PROJECT NO. 11K-01-03M

Scale: 1"=40' Date: April, 2003

SURVEY PLOTTED BY	DATE
DRAWN BY	
DESIGNED BY	
QUANTITIES BY	
CHECKED BY	
ORIGINAL PLAN	
NOTE BOOK	
FILE/FOLDER	
NO. 11K-01-03M	

"AS-BUILT"

FED. ROAD DIST. NO.	STATE	PROJ. NO.	FISCAL YEAR	SHEET NO.	TOTAL SHEETS
HAWAII	HAW.	11K-01-03M	2003	12	20



**HILO 28 Mi.**  
Exist. Sign to Remain

**END PROJECT**  
Project No. 11K-01-03M  
@ Sta. 171+50

TRUE NORTH  
SCALE: 1" = 40'

4" White E.P. Stripe  
with Type "C" pavement  
Markers at 40'-0" o.c.

Tie Into Existing Markings

SURVEY PLOTTED BY	DATE
DRAWN BY	
DESIGNED BY	
QUANTITIES BY	
CHECKED BY	

**NOTE:**

- Shoulder Improvements Will Be Addressed By A Separate Project:  
"HAWAII STATE ROUTE 11, VOLCANO HIGHWAY SHOULDER WIDENING",  
"PROJECT NO. HI PLH 11-1(1)", M.P. 27.4 TO 35.5

LEGEND FOR AS-BUILT POSTINGS	
	Squiggly line for as-built deletion
	Double line for as-built deletion
Roadway	Text for as-built posting

STATE OF HAWAII  
DEPARTMENT OF TRANSPORTATION  
HIGHWAYS DIVISION

**ROADWAY PLAN**

MAMALAOA HIGHWAY RESURFACING, VICINITY  
OF HAWAII VOLCANOES NATIONAL PARK  
PROJECT NO. 11K-01-03M

Scale: 1"=40' Date: April, 2003

"AS-BUILT"